



US00D365481S

**United States Patent** [19]  
**McKeon**

[11] **Patent Number: Des. 365,481**

[45] **Date of Patent: \*\*Dec. 26, 1995**

[54] **RECEPTACLE**

D. 303,454 9/1989 Morales et al. .... D6/513 X  
4,011,951 3/1977 Boyer ..... 211/71

[75] Inventor: **Ed McKeon**, Richmond, Australia

**OTHER PUBLICATIONS**

[73] Assignee: **Pacific Medical Supplies Pty. Ltd.**,  
Australia

American Home Nov. 1952 p. 31 Barber Pole Shave Rack.

[\*\*] Term: **14 Years**

*Primary Examiner*—Brian N. Vinson  
*Attorney, Agent, or Firm*—John E. Benoit

[21] Appl. No.: **27,557**

[57] **CLAIM**

[22] Filed: **Aug. 25, 1994**

The ornamental design for a receptacle, as shown and described.

[52] U.S. Cl. .... **D6/513**

[58] **Field of Search** ..... D6/513-514, 553,  
D6/567, 566; 206/207, 581, 1.7, 320, 349,  
363, 557; 211/71, 74, 86, 89, 106, 113,  
119, 181; 220/476, 23.83, 735; 248/214,  
215, 302, 309.1, 311.2, 312, 313, 314,  
315, 317

**DESCRIPTION**

FIG. 1 is a perspective view of the receptacle showing my new design;

FIG. 2 is a front elevational view thereof;

FIG. 3 is a rear elevational view thereof;

FIG. 4 is a top plan view thereof;

FIG. 5 is a bottom plan view thereof;

FIG. 6 is a right end elevational view thereof;

FIG. 7 is a left end elevational view thereof.

[56] **References Cited**

**U.S. PATENT DOCUMENTS**

D. 284,721 7/1986 Carter ..... D6/567 X

**1 Claim, 2 Drawing Sheets**

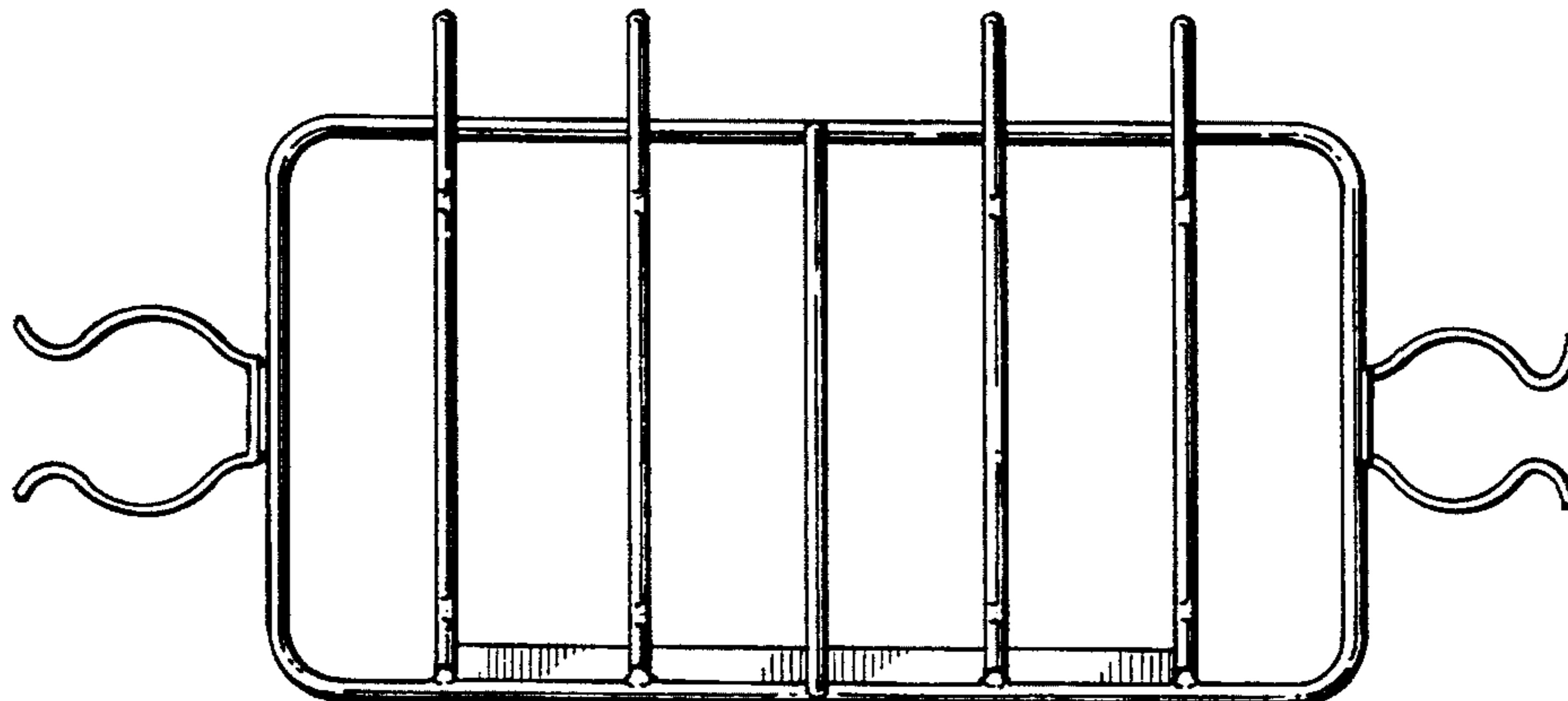
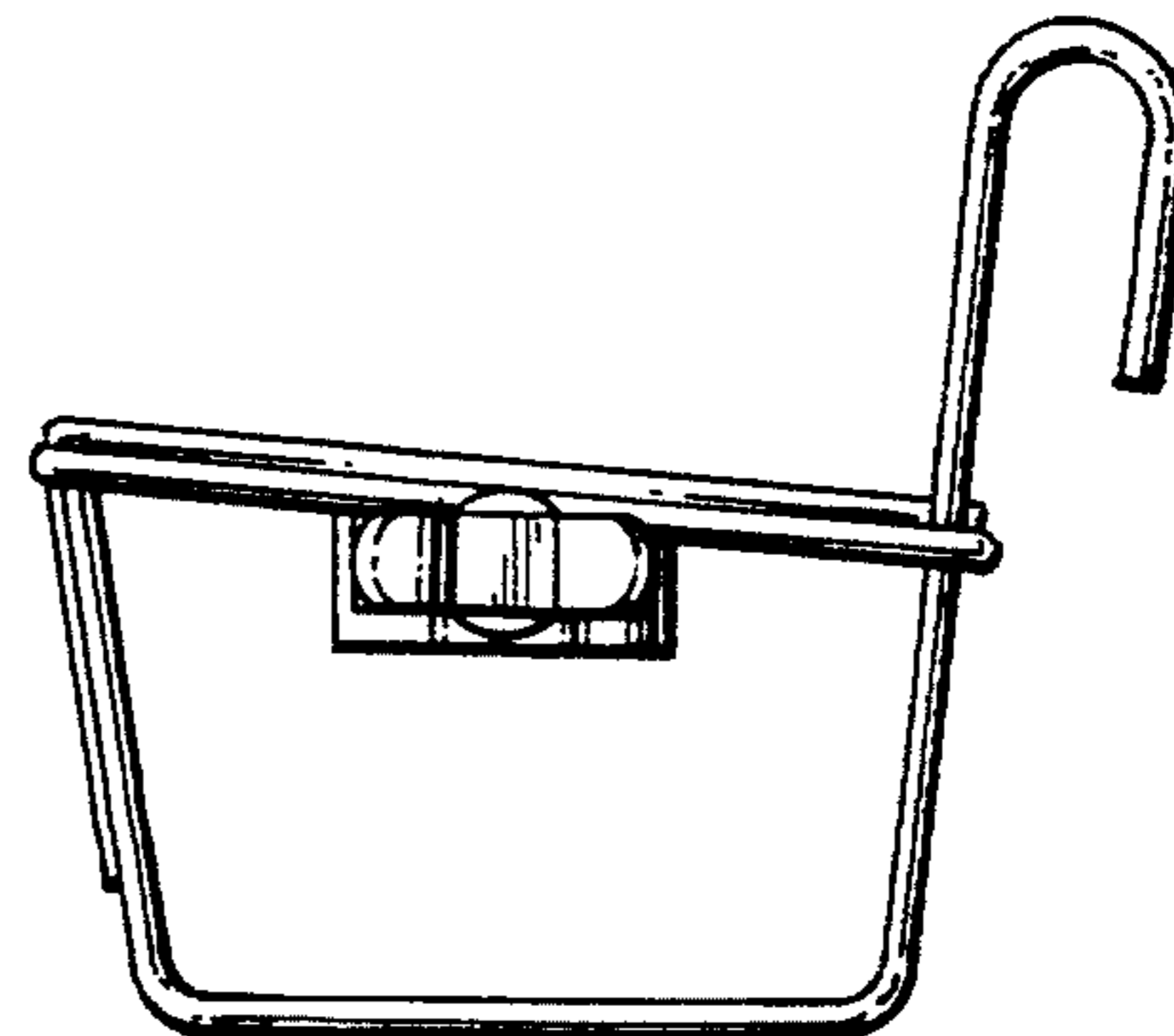
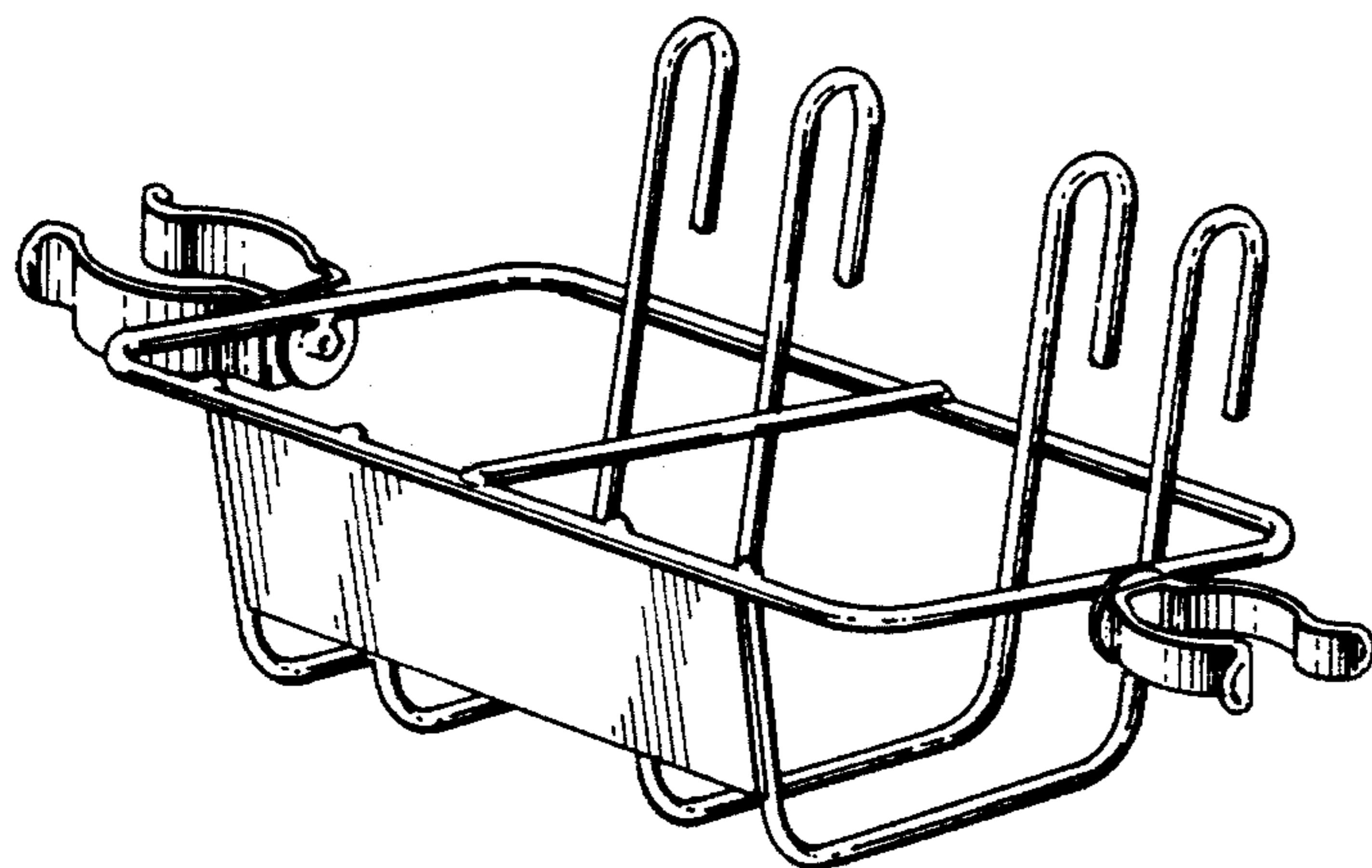


FIG. 1

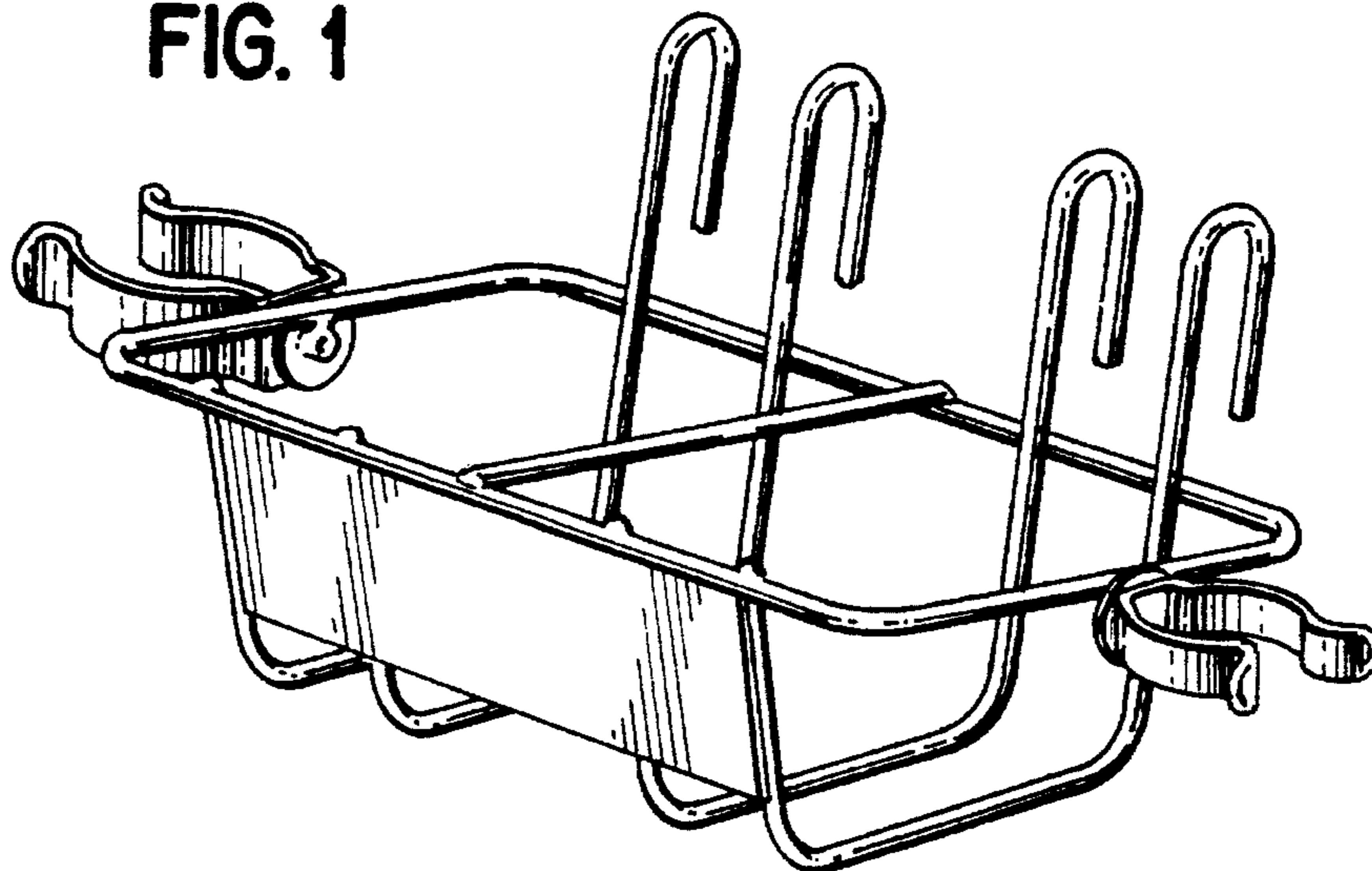


FIG. 2

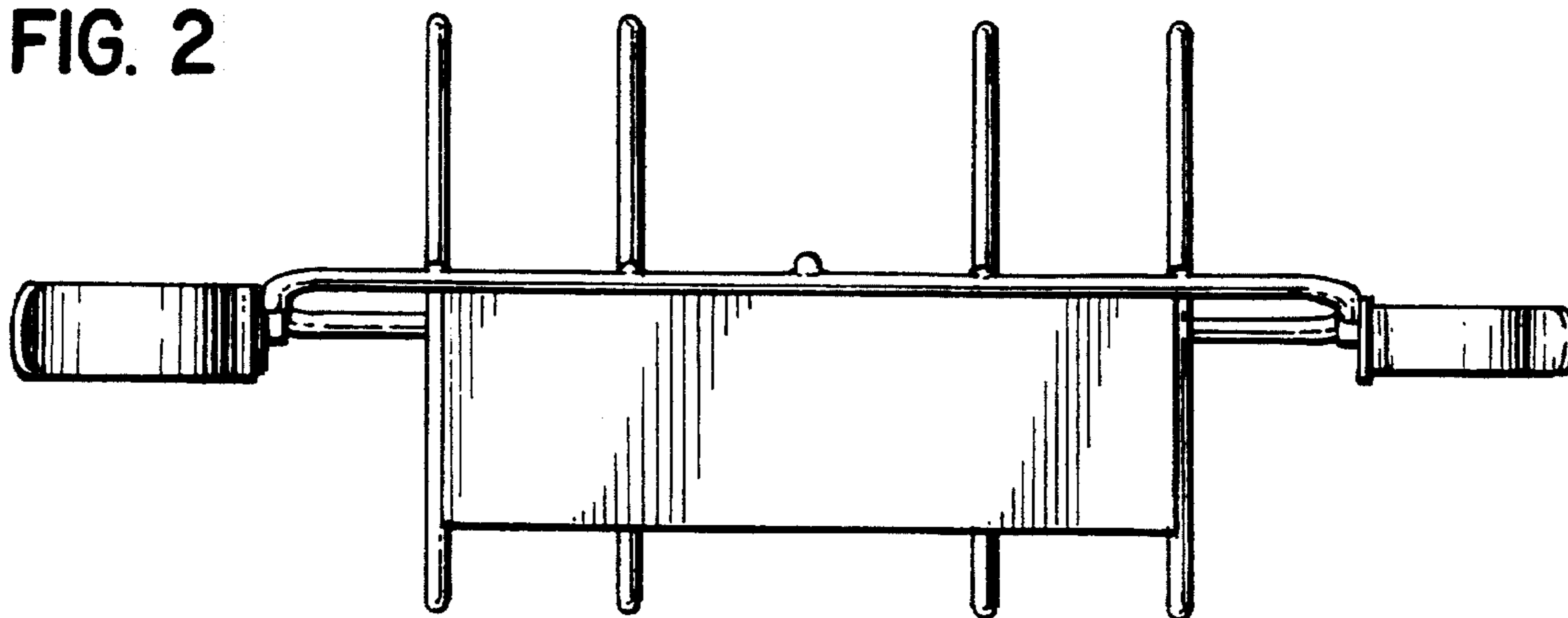
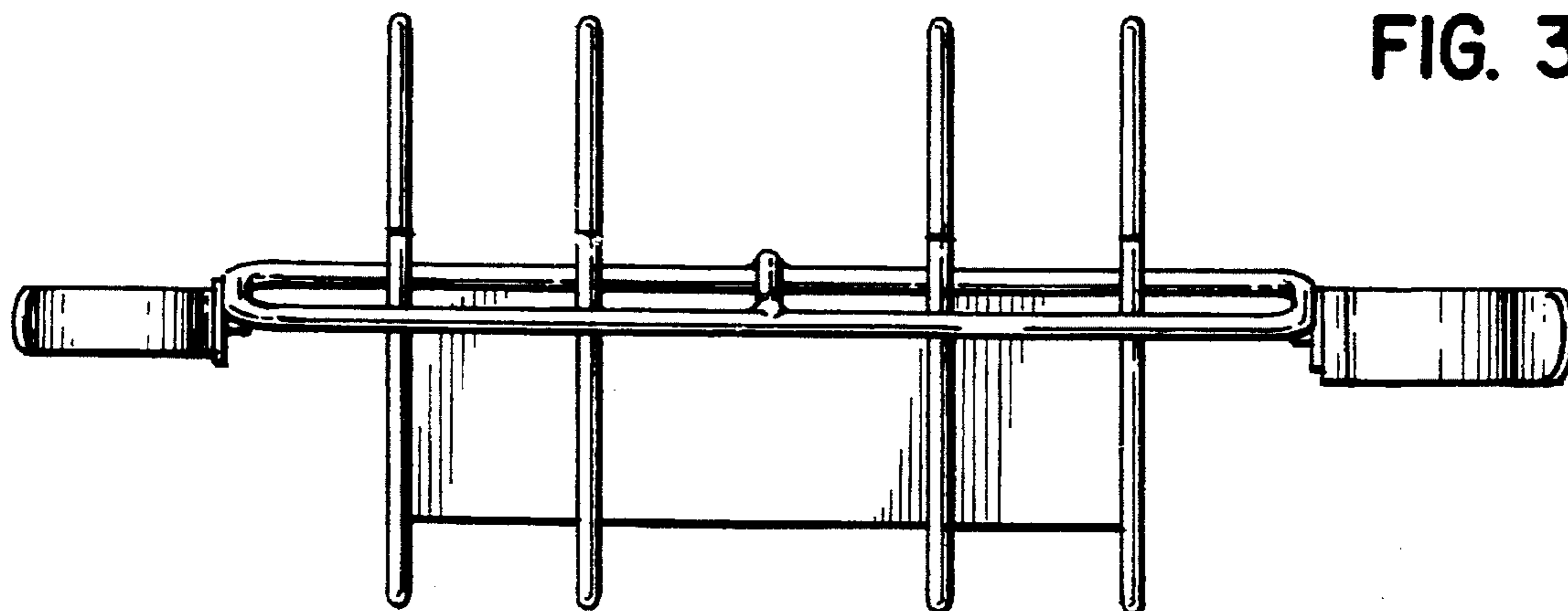


FIG. 3



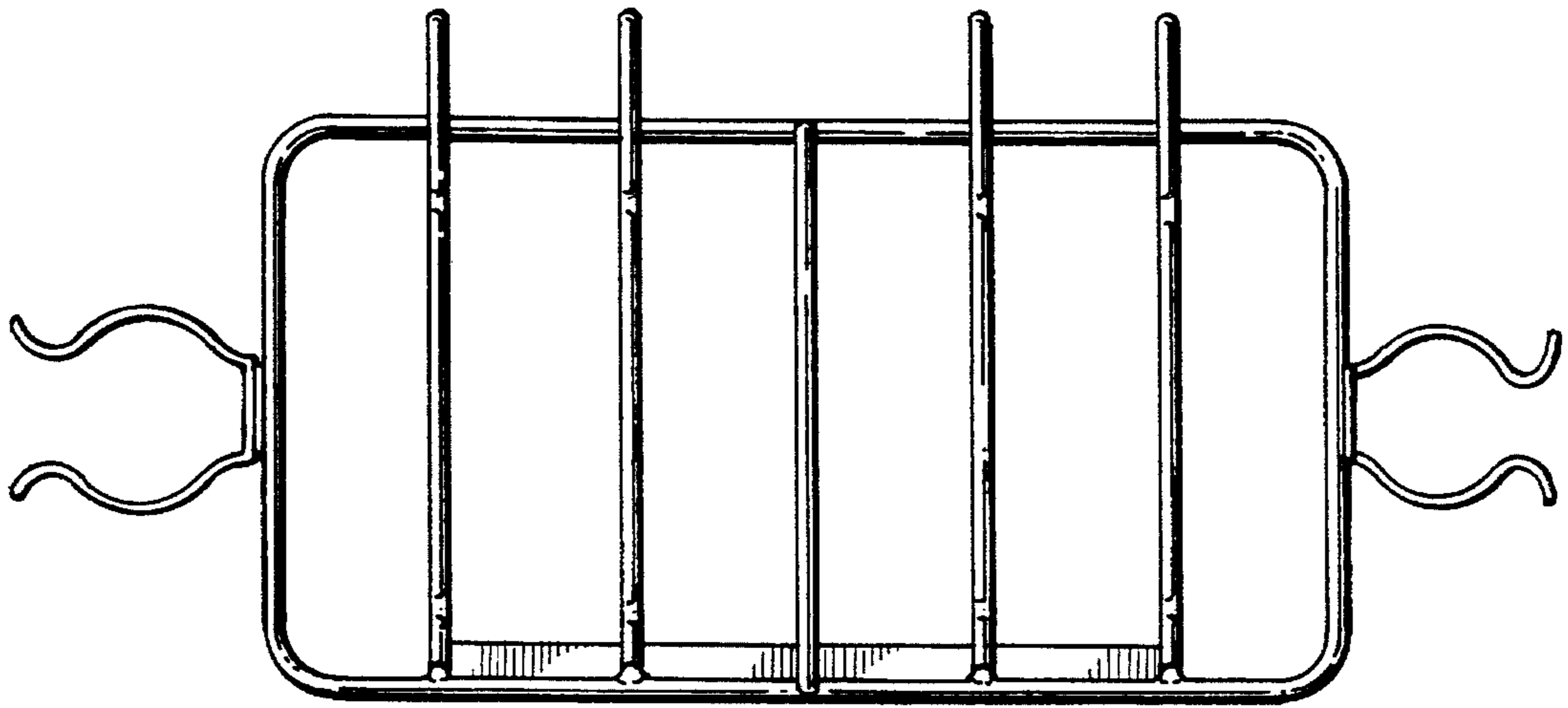


FIG. 4

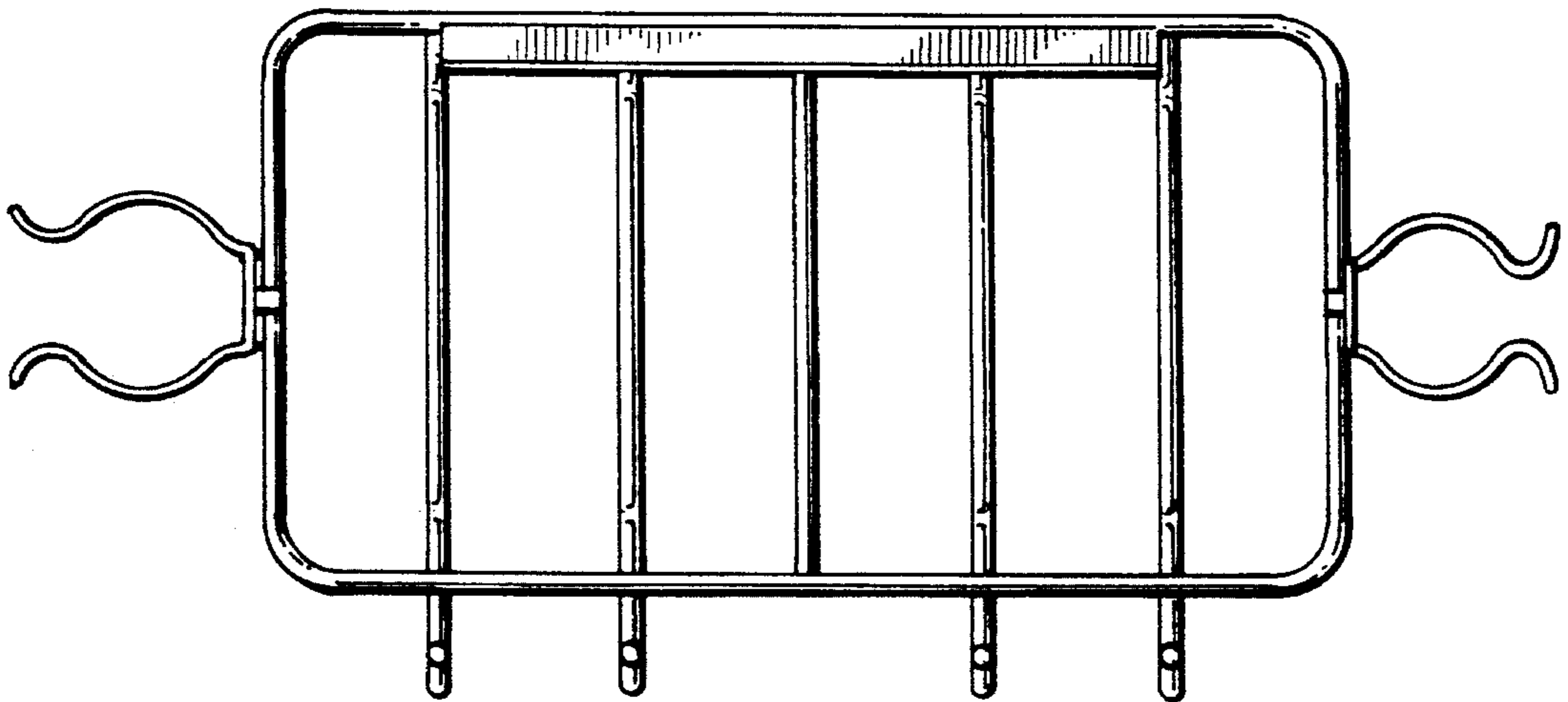


FIG. 5

FIG. 6

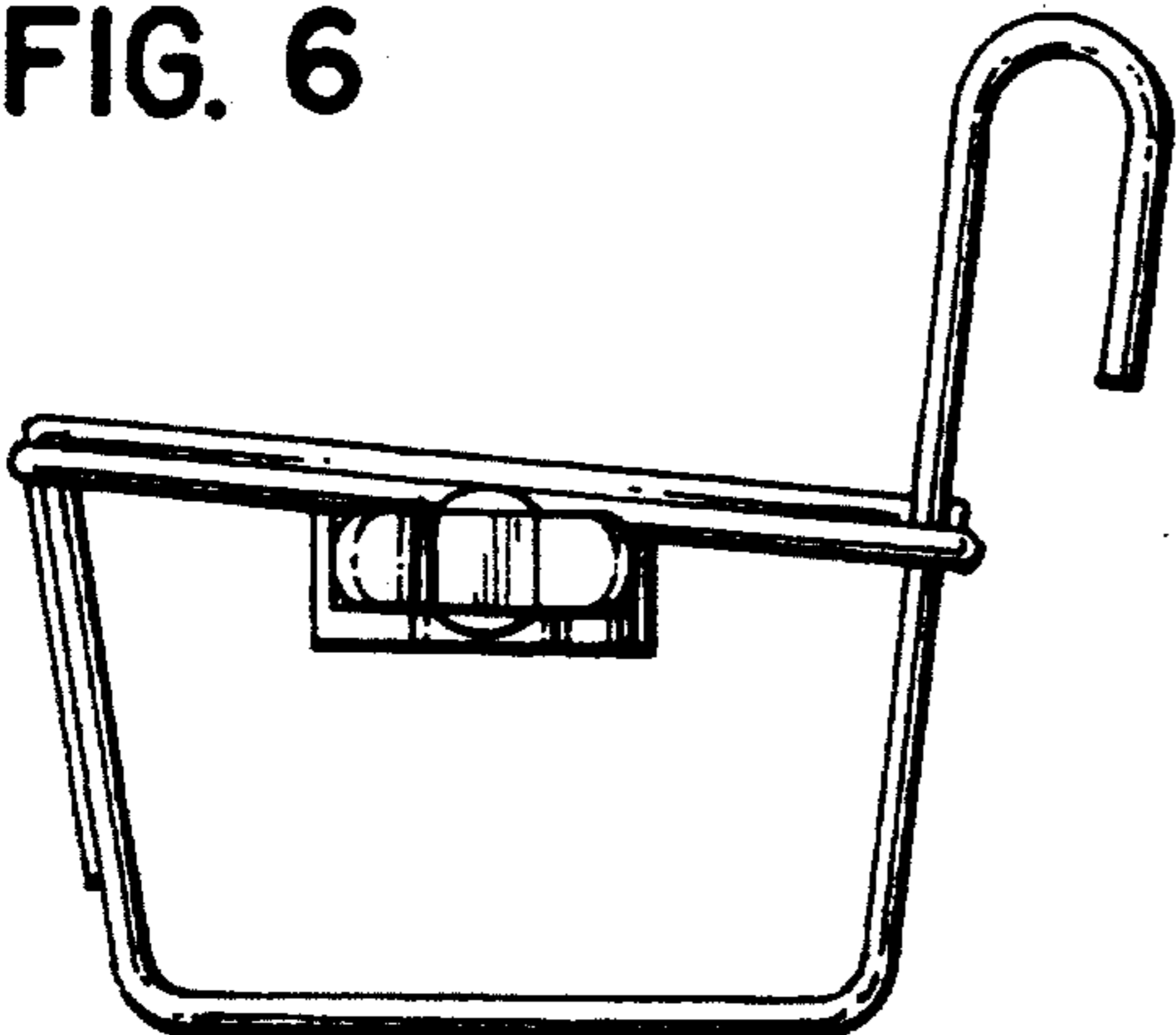


FIG. 7

