



US00D365471S

United States Patent [19]

[11] Patent Number: **Des. 365,471**

Lechleiter et al.

[45] Date of Patent: ****Dec. 26, 1995**

[54] OVAL DISPLAY STAND

[75] Inventors: **Paul R. Lechleiter**, Powell; **Mark B. Artus**, Beechwold, both of Ohio

[73] Assignee: **Blockbuster Entertainment Inc.**, Ft. Lauderdale, Fla.

[**] Term: **14 Years**

[21] Appl. No.: **36,244**

[22] Filed: **Mar. 16, 1995**

[52] U.S. Cl. **D6/475**

[58] Field of Search D6/449, 450, 451, D6/396, 399, 466, 467, 468, 471, 473, 474, 475, 421; 312/7.2, 114, 234, 234.1; 211/86, 198

[56] References Cited

U.S. PATENT DOCUMENTS

5,273,247 12/1993 Jan 248/441.1

Primary Examiner—Alan P. Douglas

Assistant Examiner—S. Snapp

Attorney, Agent, or Firm—Akin, Gump, Strauss, Hauer & Feld

[57] CLAIM

The ornamental design for an oval display stand, as shown and described.

DESCRIPTION

FIG. 1 is a perspective view of an oval display stand showing our new design;

FIG. 2 is a left side elevational view thereof;

FIG. 3 is a front elevational view thereof;

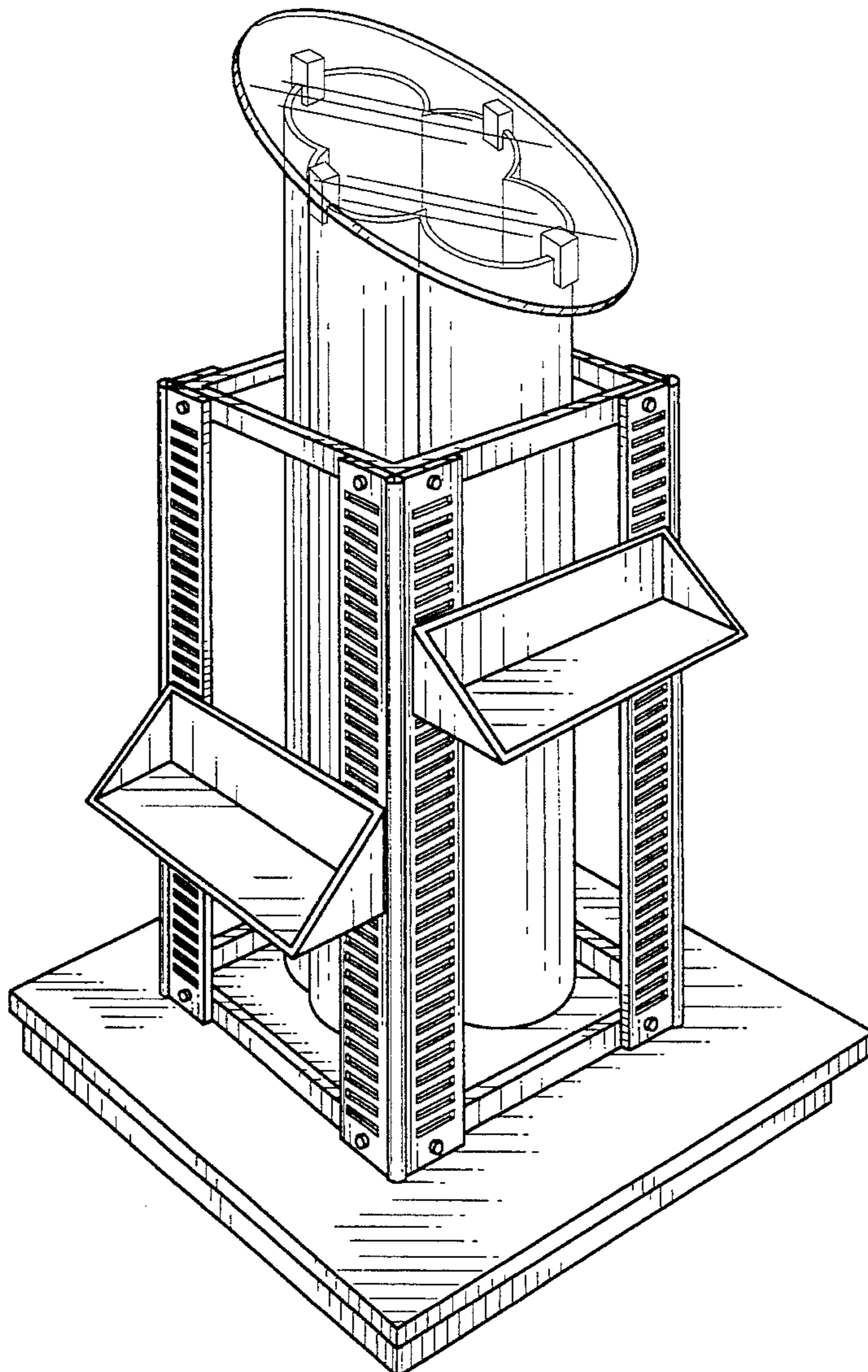
FIG. 4 is a right side elevational view thereof;

FIG. 5 is a rear elevational view thereof;

FIG. 6 is a top plan view thereof; and,

FIG. 7 is a bottom plan view thereof.

1 Claim, 4 Drawing Sheets



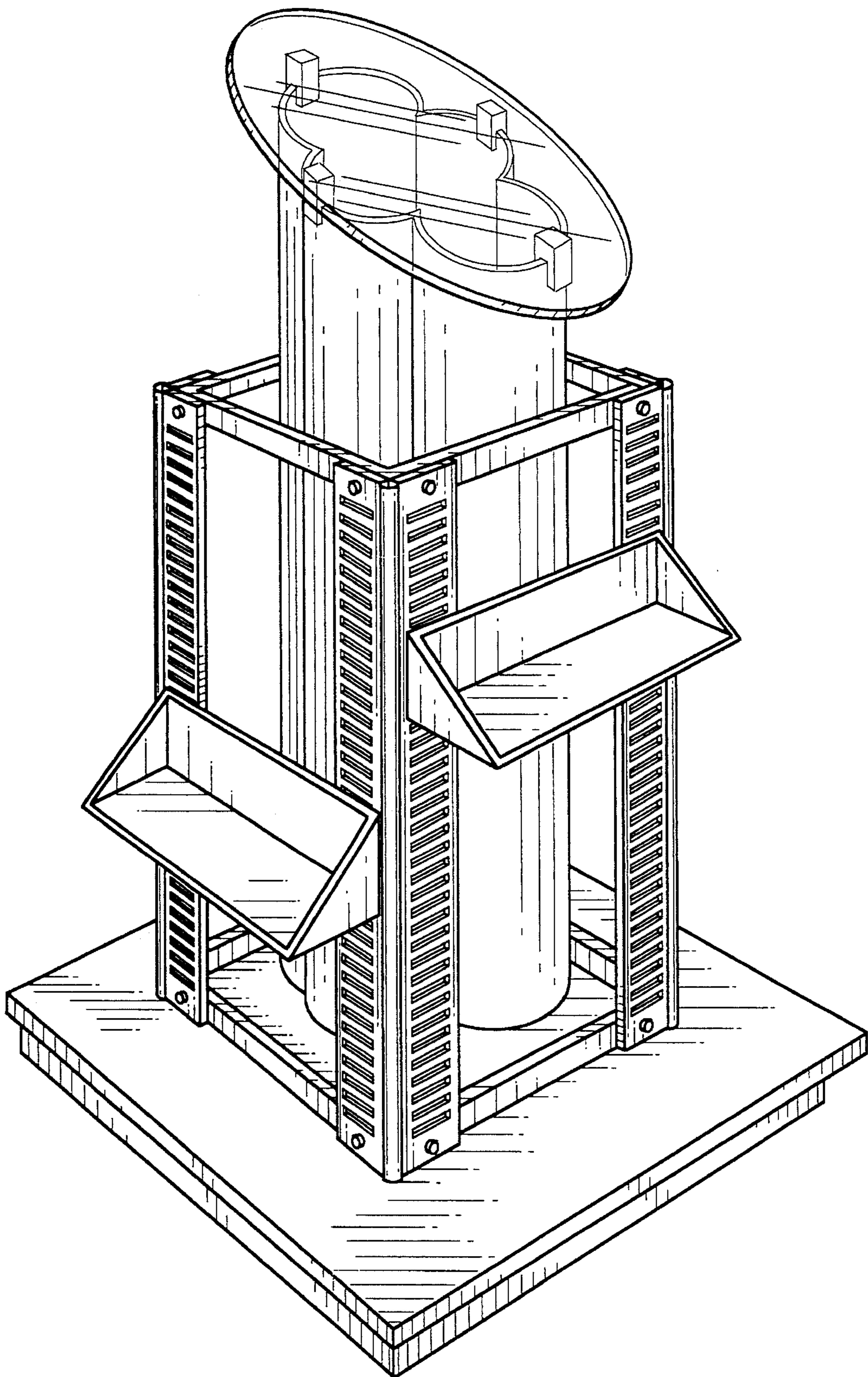


Fig. 1

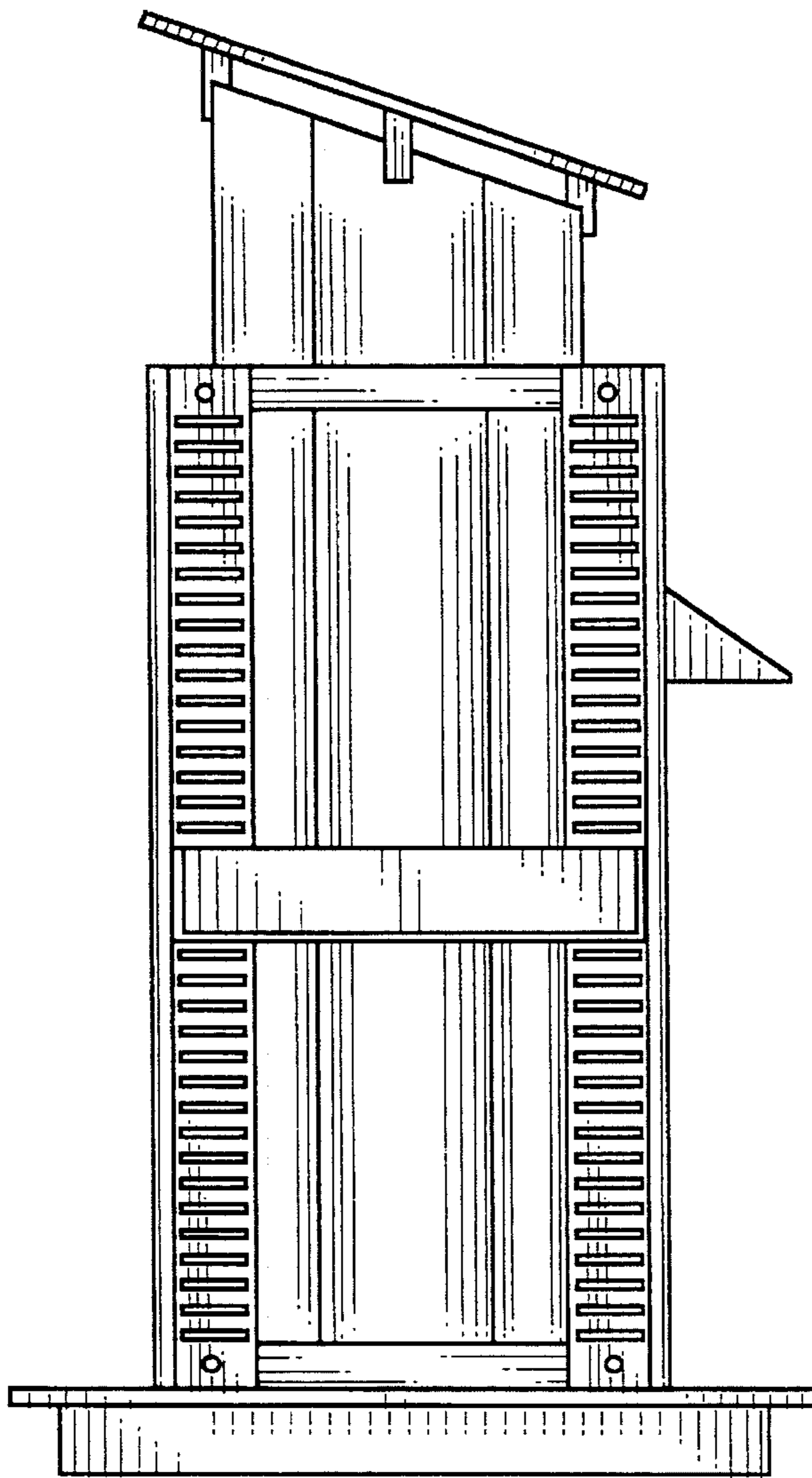


Fig. 2

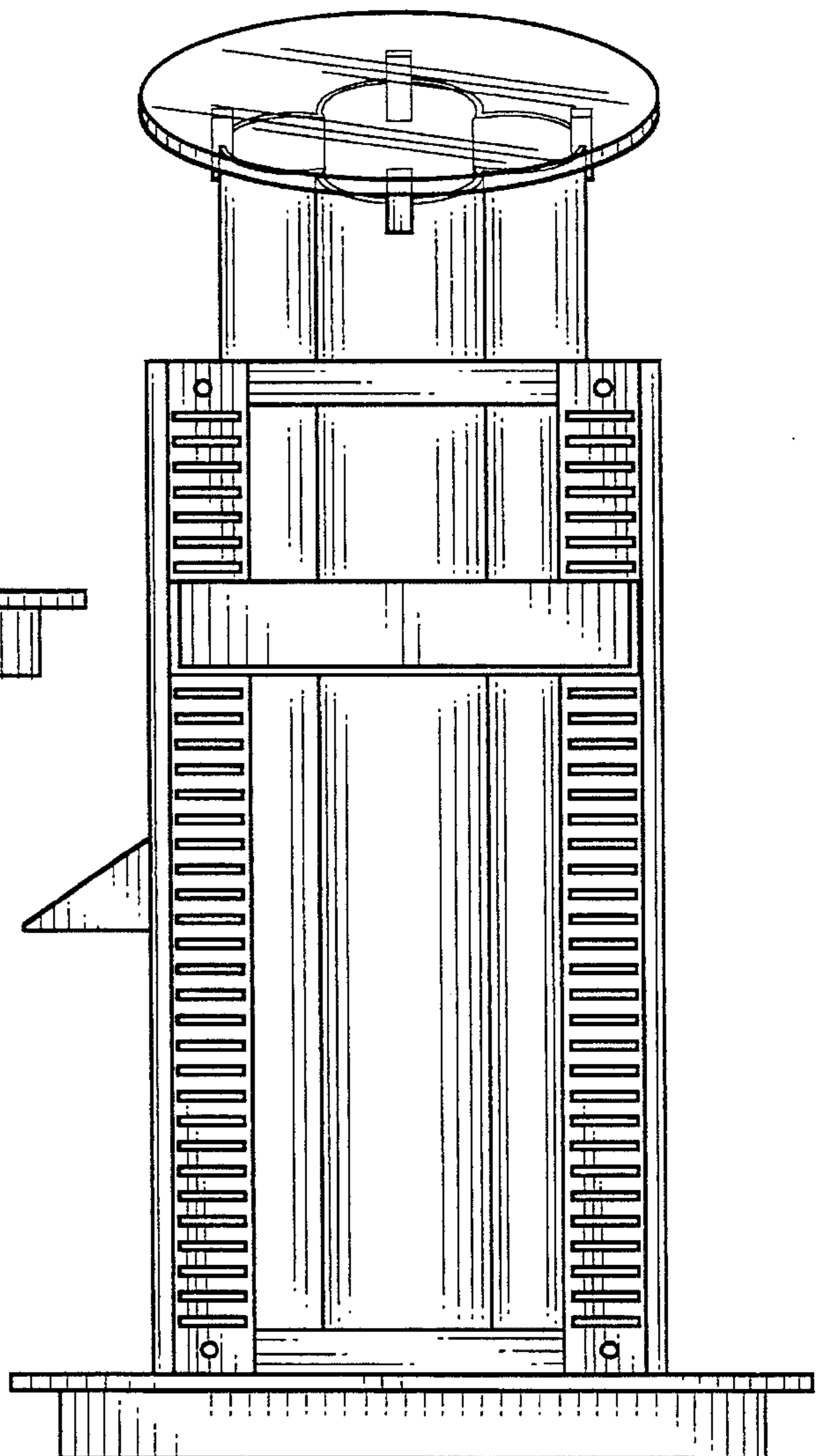


Fig. 3

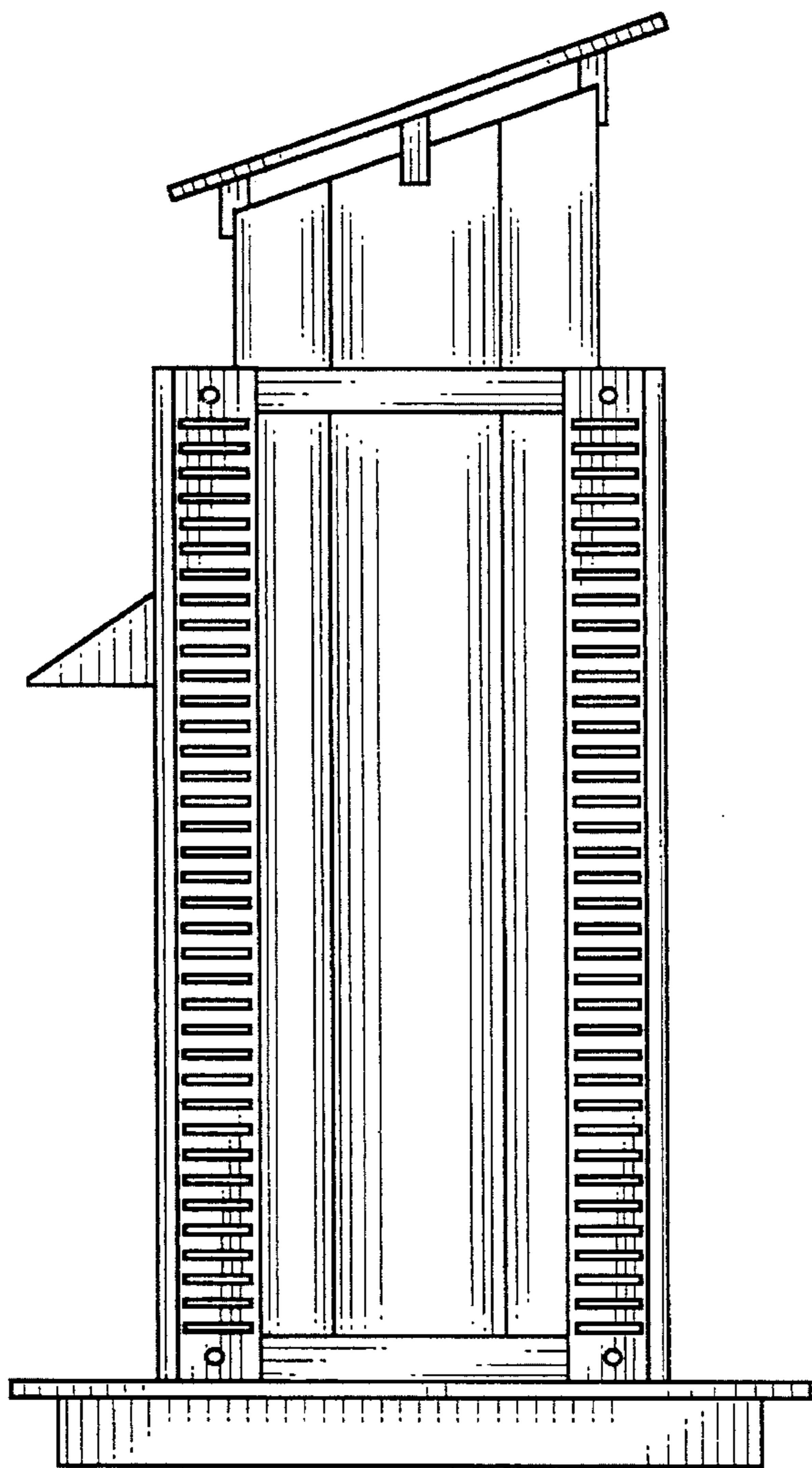


Fig. 4

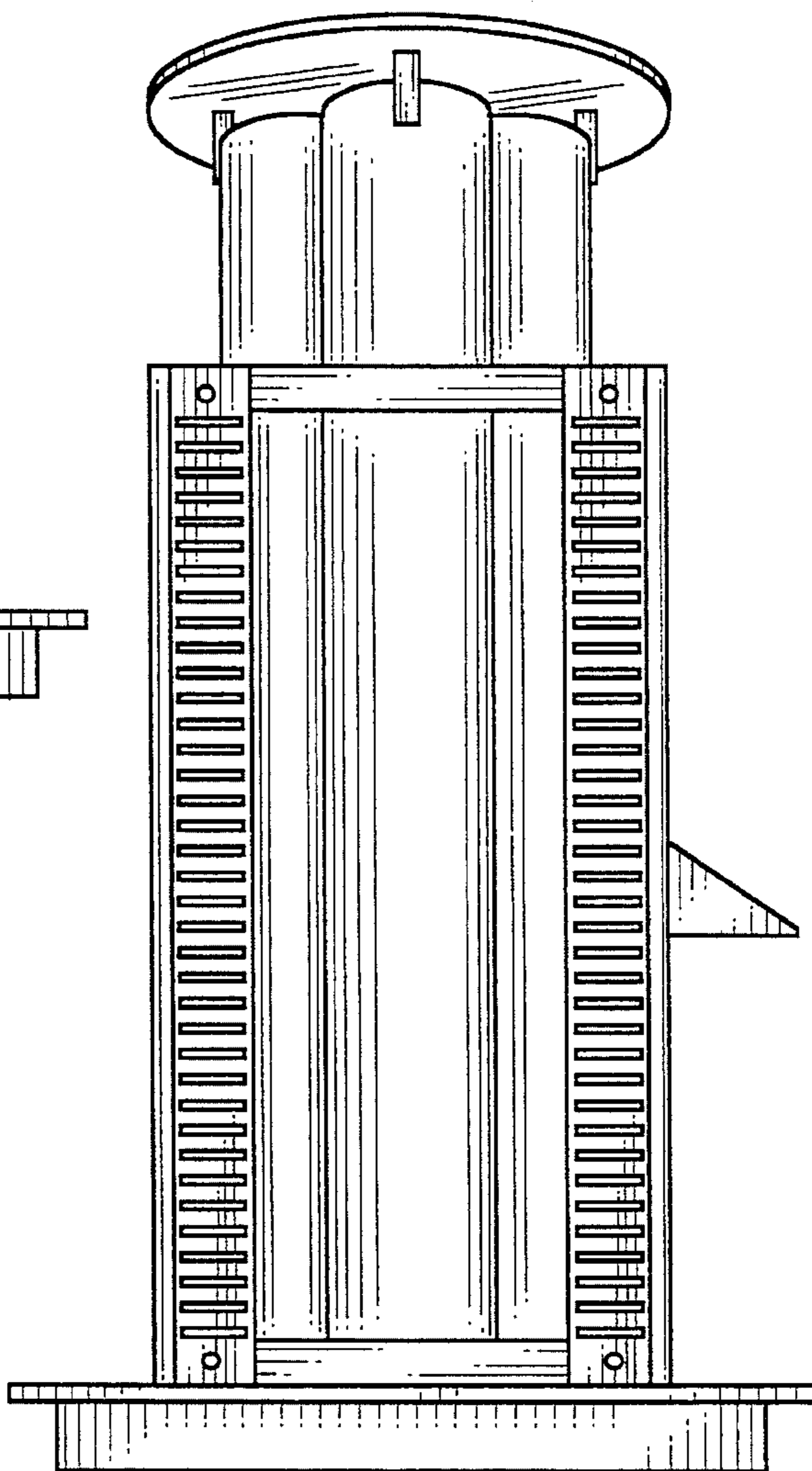


Fig. 5

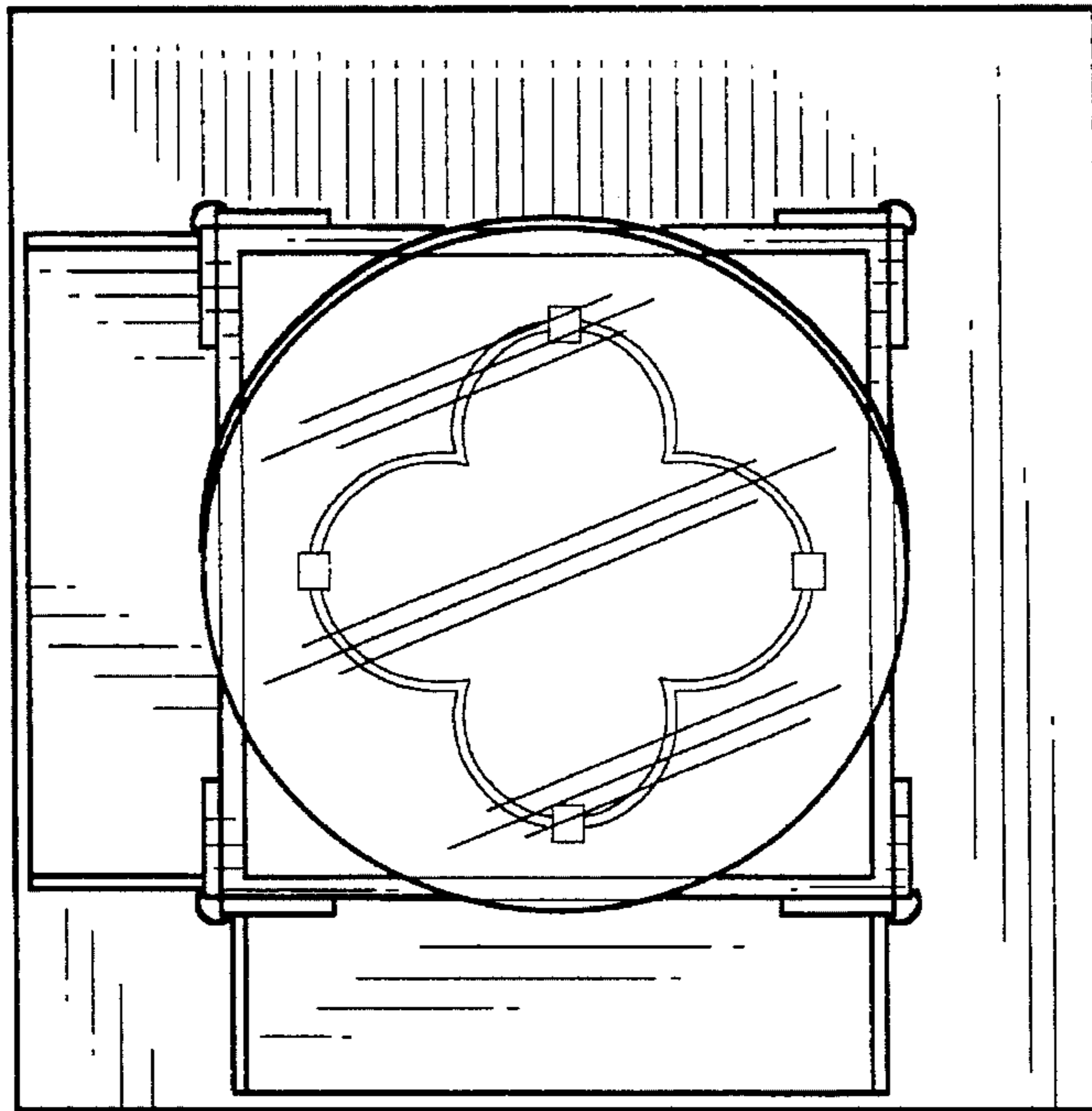


Fig. 6

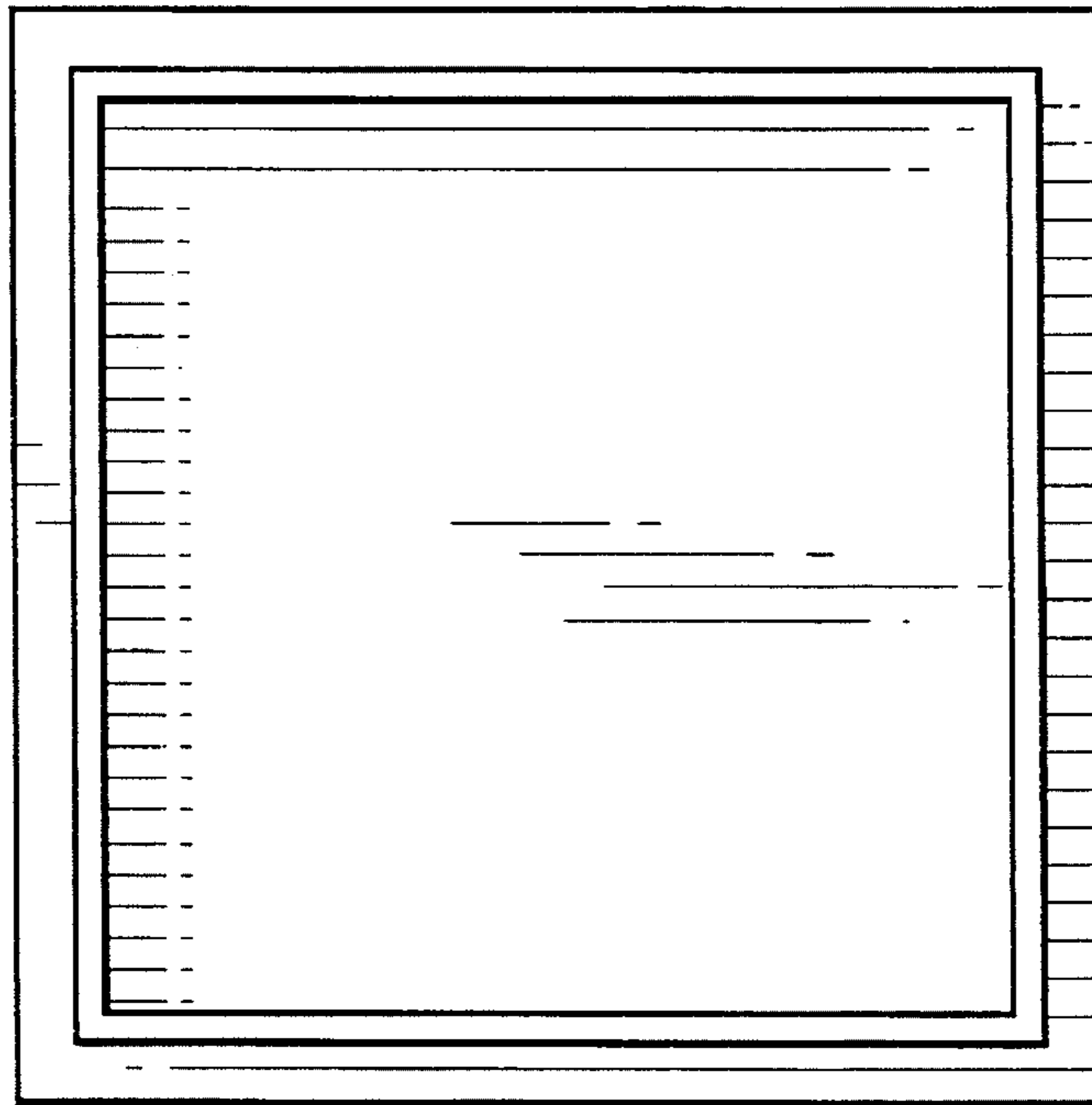


Fig. 7