



US00D365465S

United States Patent [19]

[11] Patent Number: **Des. 365,465**

Kniefel et al.

[45] Date of Patent: ****Dec. 26, 1995**

[54] **WORKSTATION THAT SUPPORTS KEYBOARDS AND COMPUTER COMPONENTS ON AN ELECTRIC PIANO**

D. 134,456 12/1942 Hillenbrand D6/406
D. 135,507 4/1943 Hillenbrand D6/406
D. 145,777 10/1946 Clachko D6/406

[75] Inventors: **John H. Kniefel; Gary M. Benting; Leslie R. Abraham**, all of Owatonna, Minn.

Primary Examiner—Alan P. Douglas
Assistant Examiner—S. Snapp
Attorney, Agent, or Firm—Patterson & Keough

[73] Assignee: **Wenger Corporation**, Owatonna, Minn.

[57] **CLAIM**

[**] Term: **14 Years**

The ornamental design for a design for a workstation that supports keyboards and computer components on an electric piano, as shown and described.

[21] Appl. No.: **12,618**

DESCRIPTION

[22] Filed: **Sep. 7, 1993**

FIG. 1 is perspective view of a piano instruction workstation showing our new design;
FIG. 2 is a rear, bottom perspective view thereof;
FIG. 3 is a left side elevational view with the right side being a mirror image thereof;
FIG. 4 is a top plan view thereof;
FIG. 5 is a front elevational view thereof;
FIG. 6 is a bottom plan view thereof; and,
FIG. 7 is a rear elevational view.

[52] U.S. Cl. **D6/449**

[58] Field of Search D6/396, 397, 449, D6/450, 451, 484, 406; 108/43, 47, 115, 150; 211/88; D17/7, 9, 99

[56] **References Cited**

U.S. PATENT DOCUMENTS

D. 128,279 7/1941 Caldwell D6/406

1 Claim, 2 Drawing Sheets

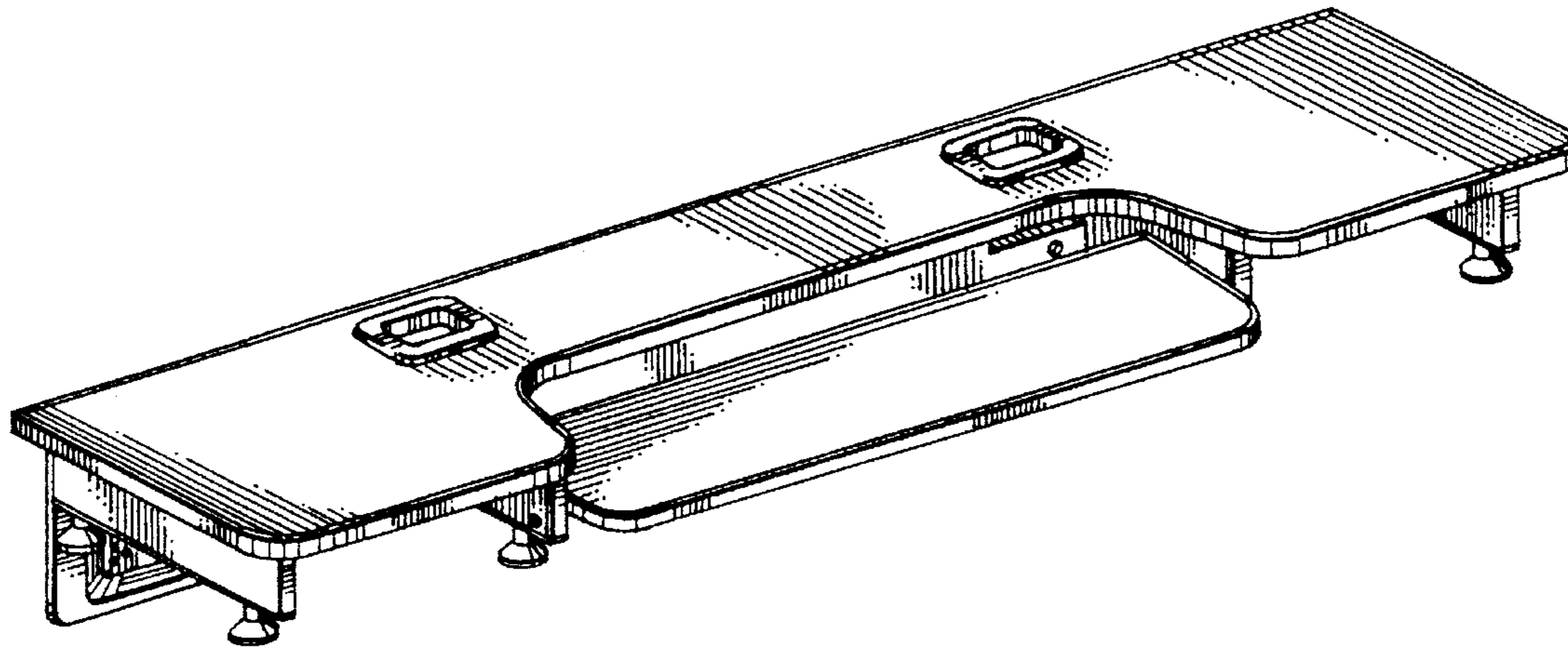


Fig. 1

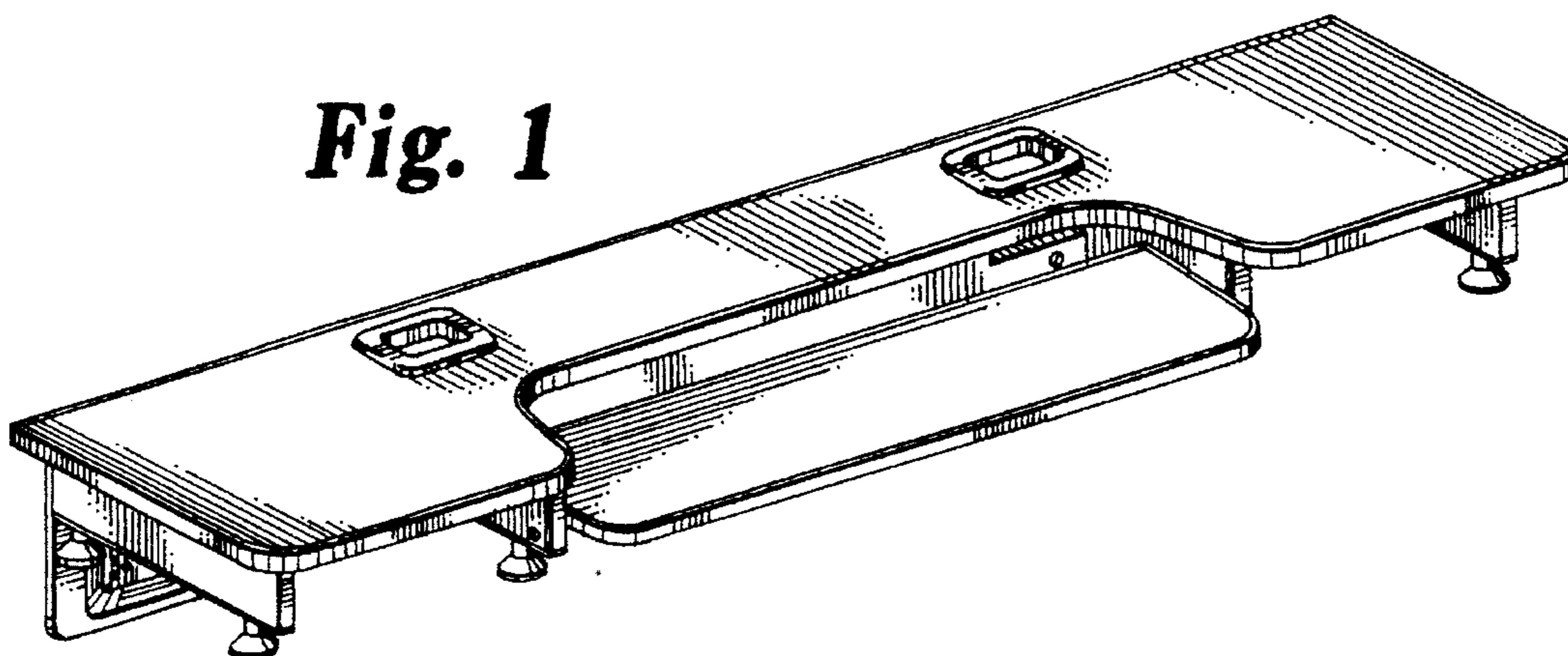


Fig. 2

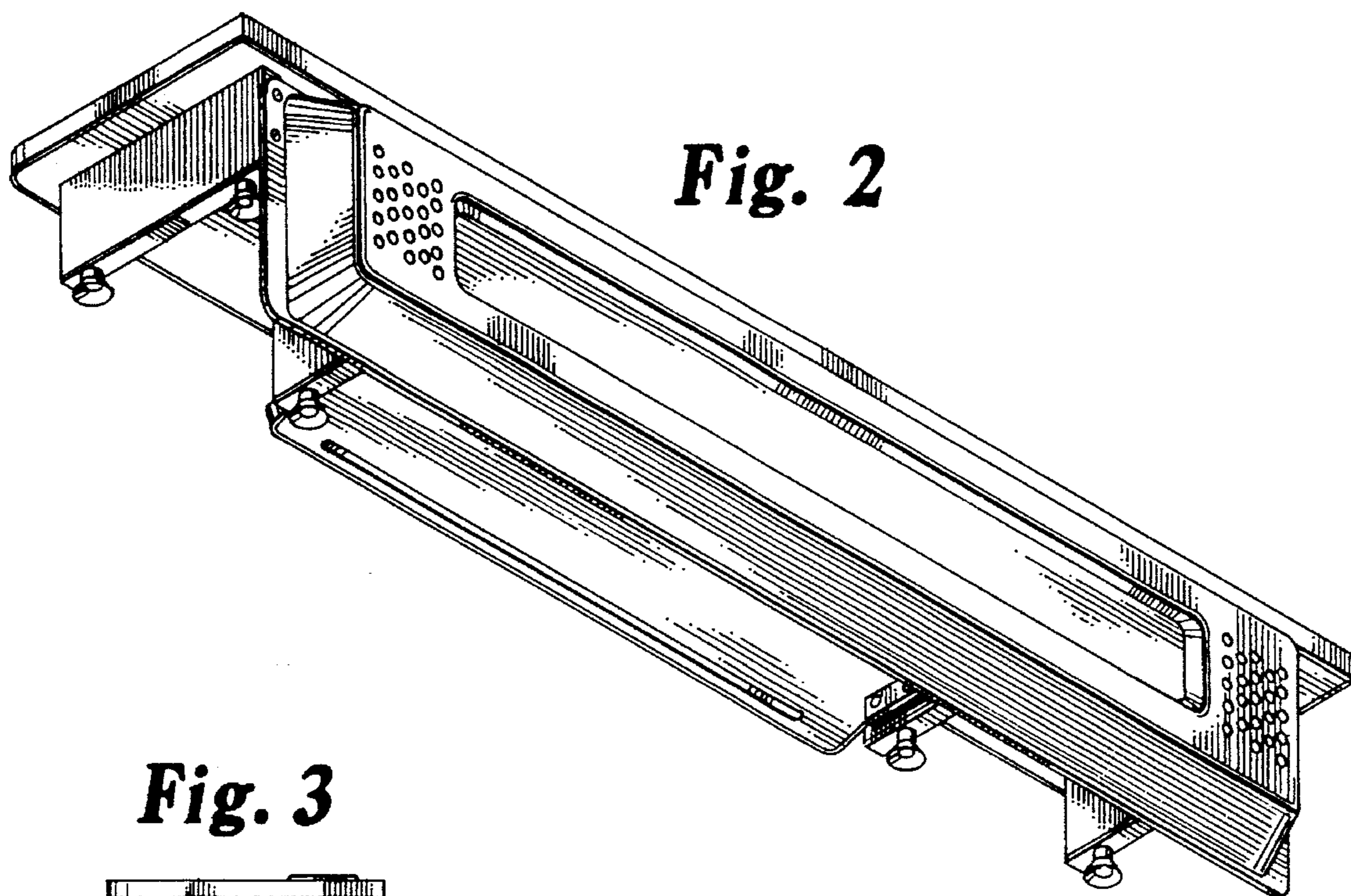


Fig. 3

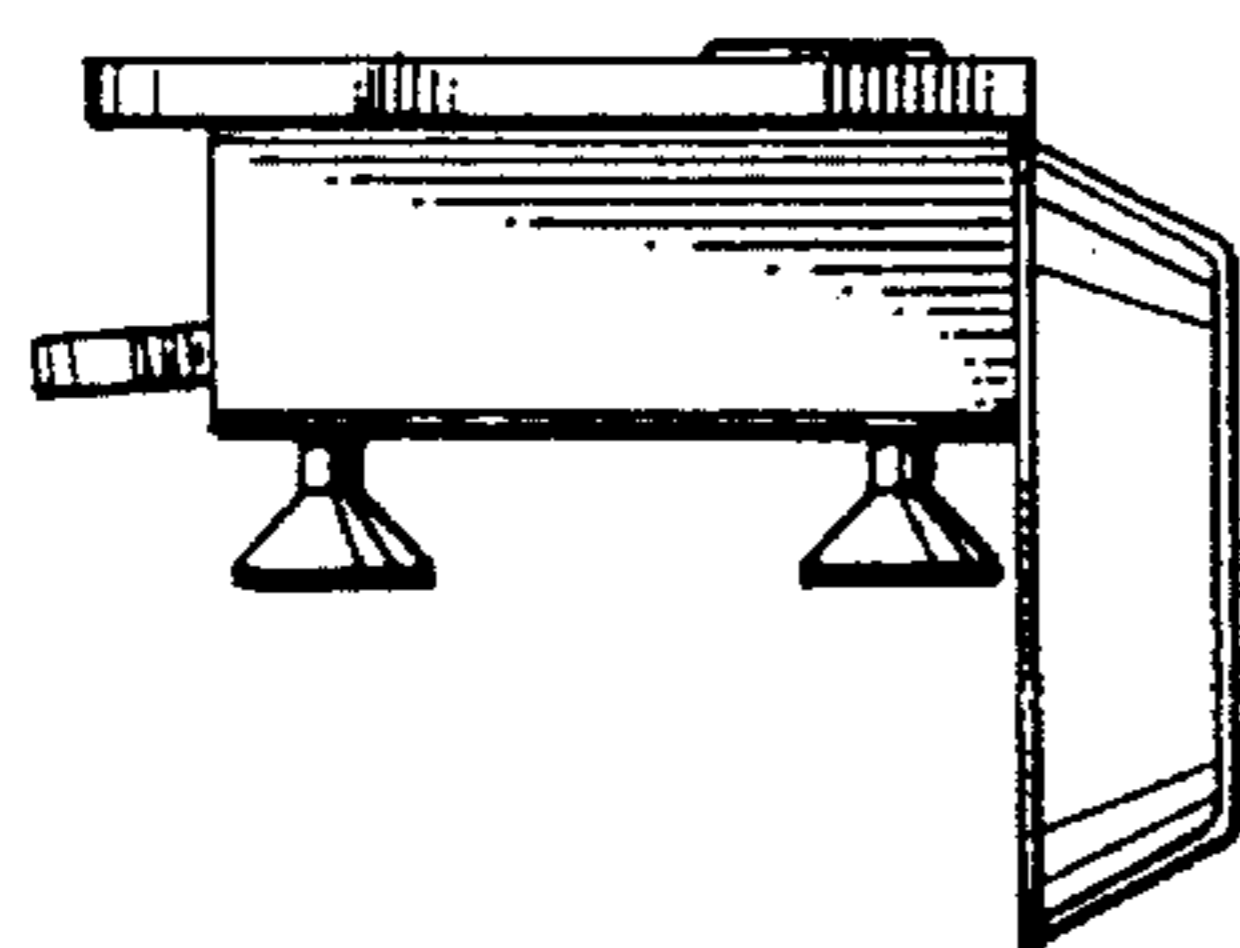


Fig. 4

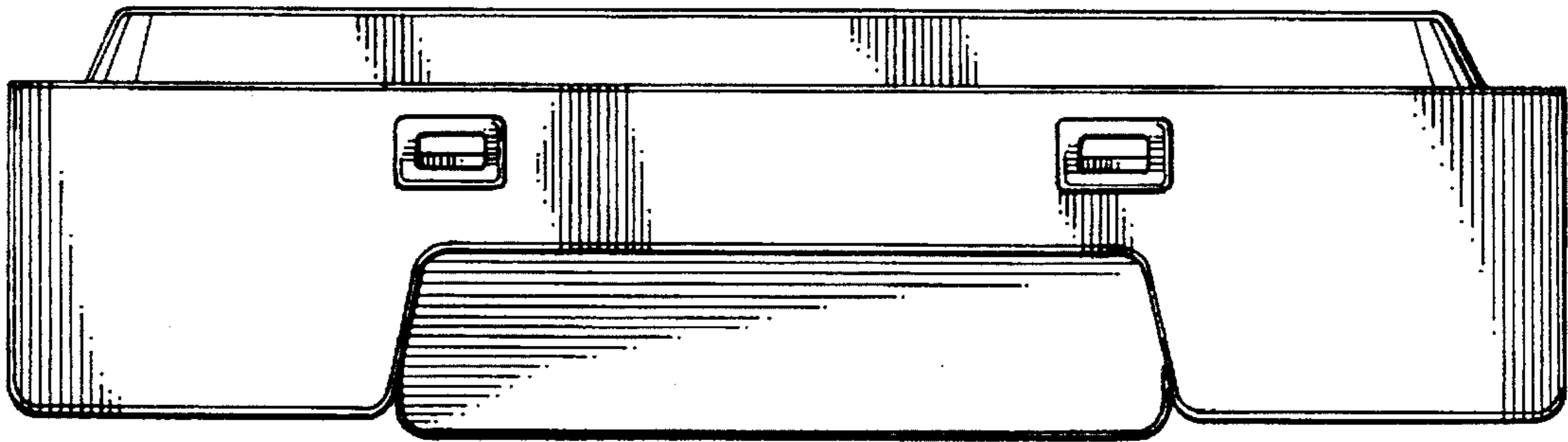


Fig. 5

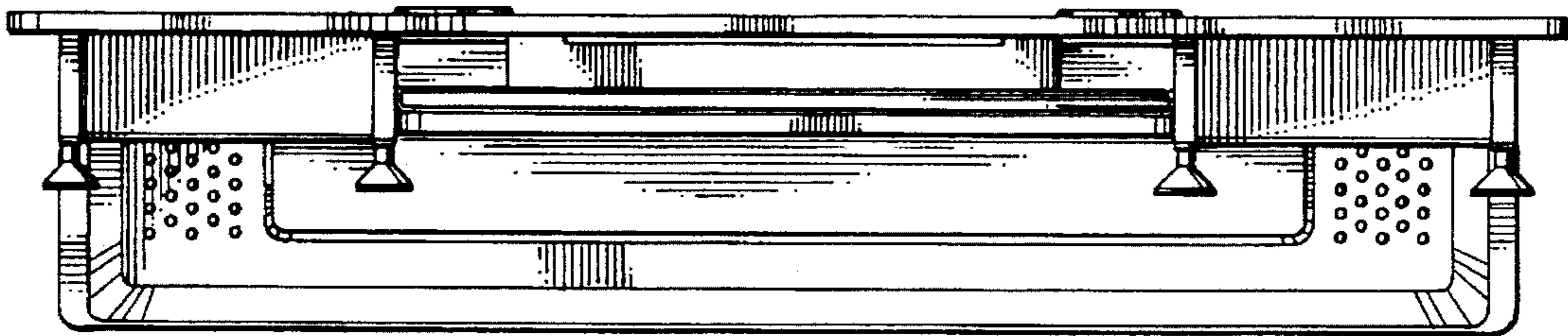


Fig. 6

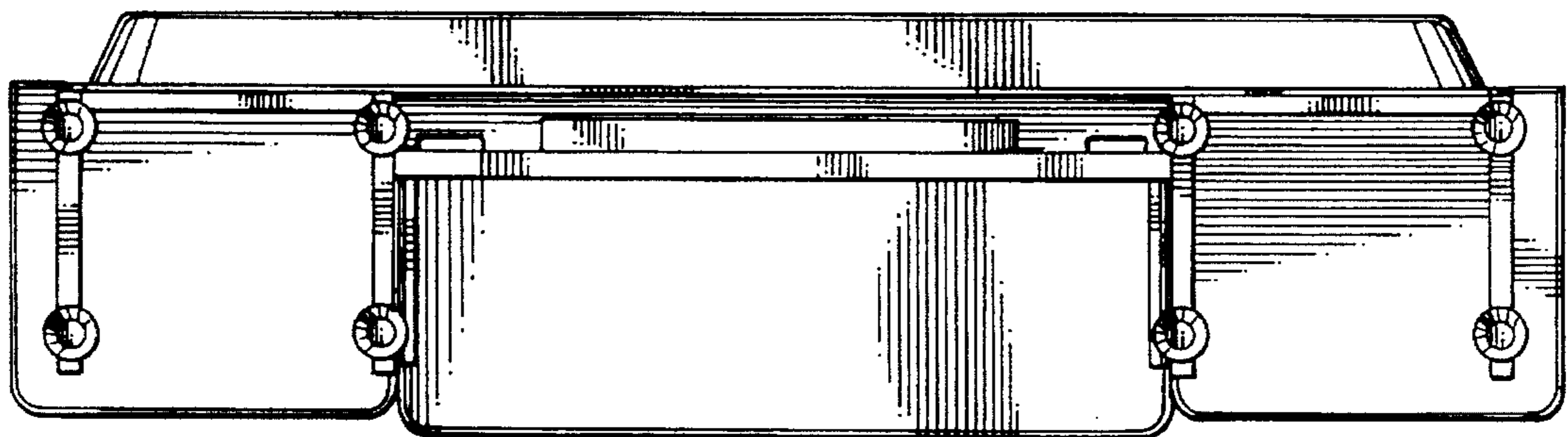


Fig. 7

