



US00D365464S

United States Patent [19]

Brunner et al.

[11] Patent Number: **Des. 365,464**

[45] Date of Patent: ****Dec. 26, 1995**

[54] **DRESSER ROBE**

[75] Inventors: **Merlin A. Brunner**, Appleton; **Harvey J. Draheim**, Weyauwega, both of Wis.

[73] Assignee: **Simmons Juvenile Products Company, Inc.**, New London, Wis.

[**] Term: **14 Years**

[21] Appl. No.: **29,217**

[22] Filed: **Sep. 30, 1994**

[52] U.S. Cl. **D6/439**

[58] Field of Search **D6/432-448; 312/204**

[56] **References Cited**

U.S. PATENT DOCUMENTS

D. 170,021	7/1953	Herrmann	D6/439
D. 172,995	9/1954	Silverman	D6/439 X
D. 173,834	1/1955	Burnett	D6/438
D. 183,787	10/1958	Carter et al.	D6/439
D. 185,769	7/1959	Meer	D6/445
D. 222,080	9/1971	Carlson	D6/446
D. 274,963	8/1984	Brunner et al.	D6/446
D. 310,756	9/1990	Pauer et al.	D6/445
D. 357,602	4/1995	Brunner et al.	D6/446

OTHER PUBLICATIONS

“Vintage” by Burlington © 1982, p. 15; Mobile Serving Cart on page.

Primary Examiner—Carmen H. Vales-Lado
Attorney, Agent, or Firm—Hoffmann & Baroñ

[57] **CLAIM**

The ornamental design for a dresser robe, as shown and described.

DESCRIPTION

FIG. 1 is a top perspective view of a dresser robe showing our new design;
 FIG. 2 is a top plan view thereof;
 FIG. 3 is a front elevation view thereof;
 FIG. 4 is a side elevation view thereof;
 FIG. 5 is a rear elevation view thereof;
 FIG. 6 is a bottom plan view thereof;
 FIG. 7 is an enlarged sectional view taken through lines 7—7 of FIG. 3;
 FIG. 8 is an enlarged sectional view taken through lines 8—8 of FIG. 4; and,
 FIG. 9 is enlarged sectional view taken through 9—9 of FIG. 4.

1 Claim, 7 Drawing Sheets

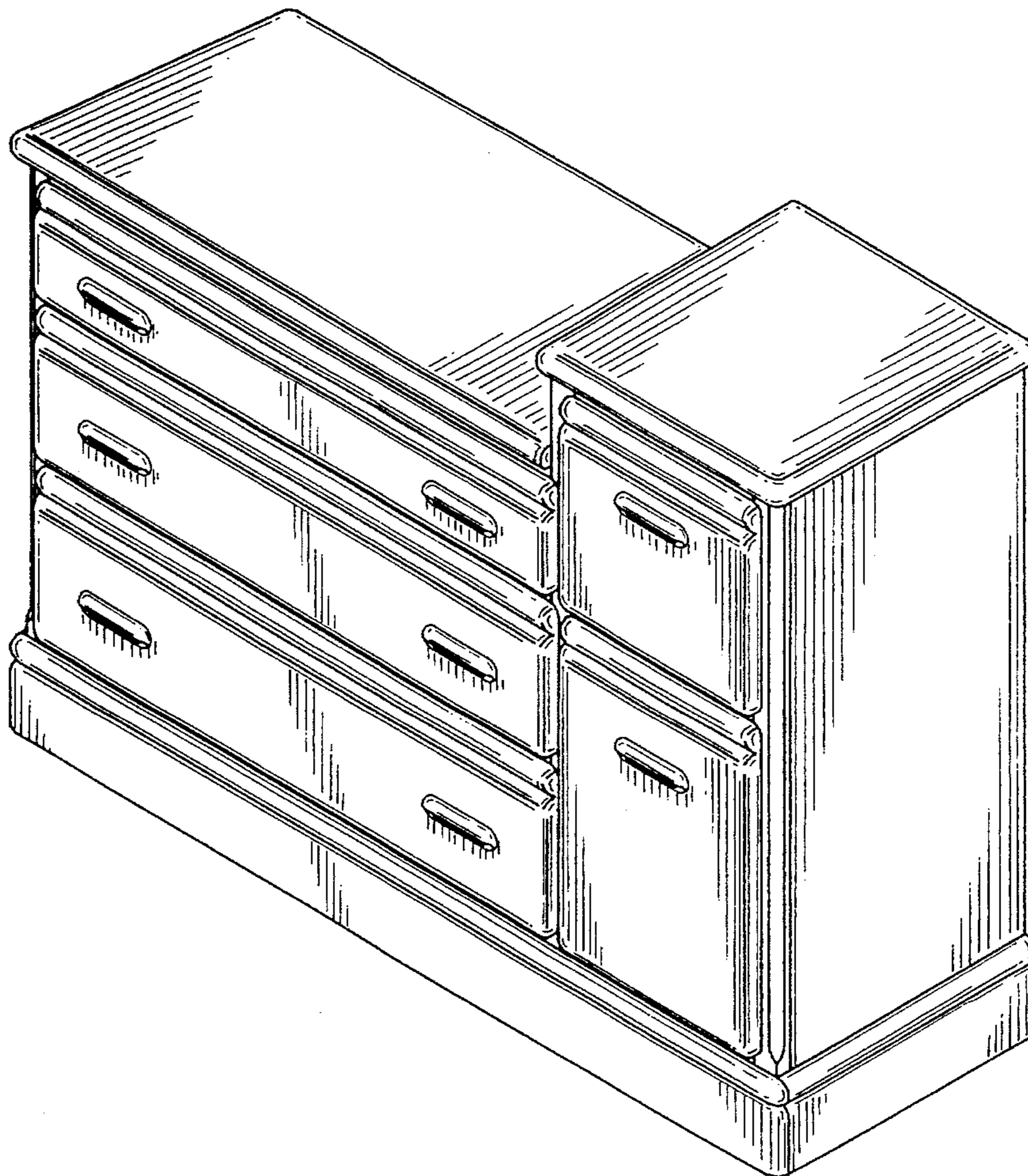


FIG-1

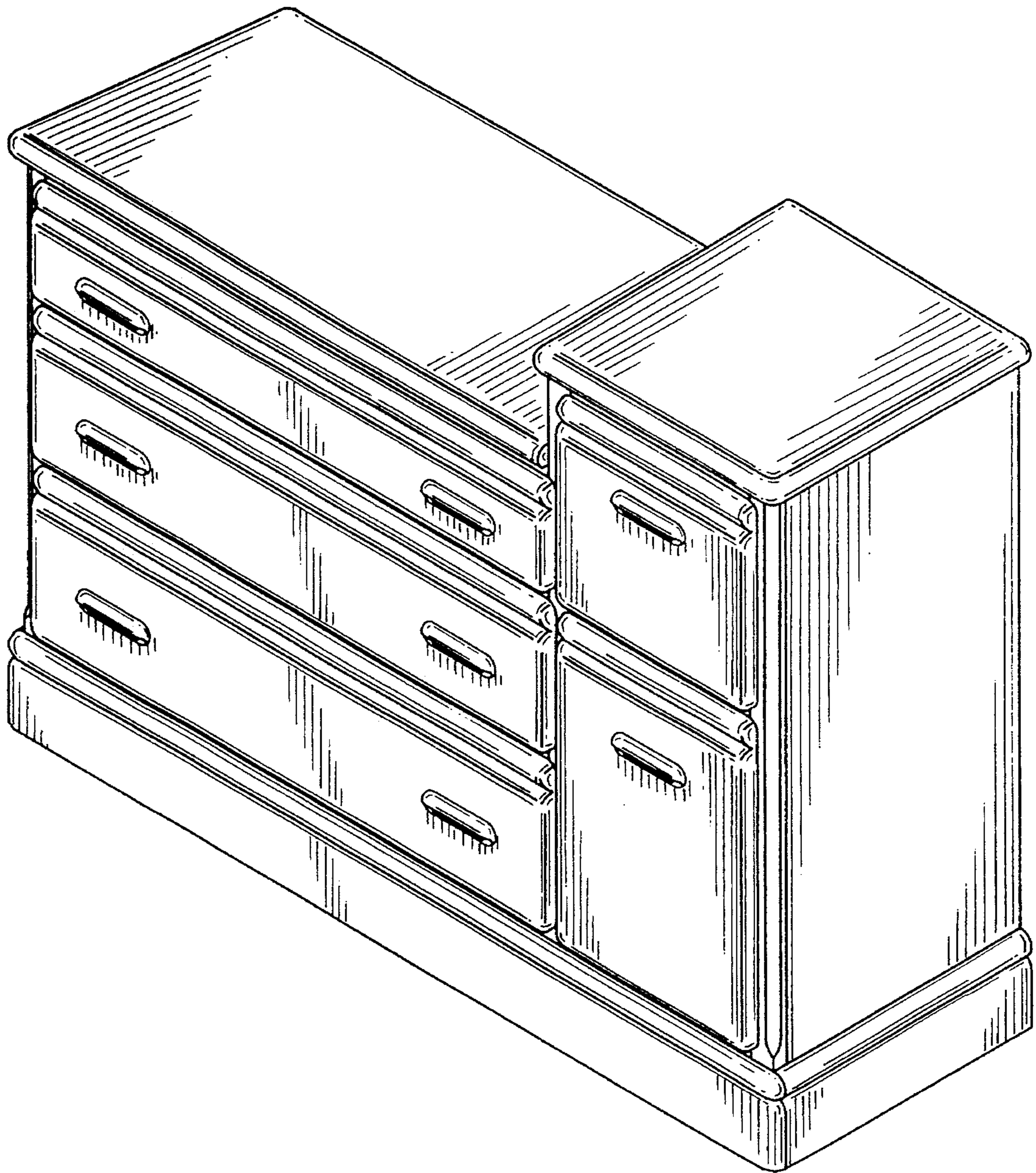
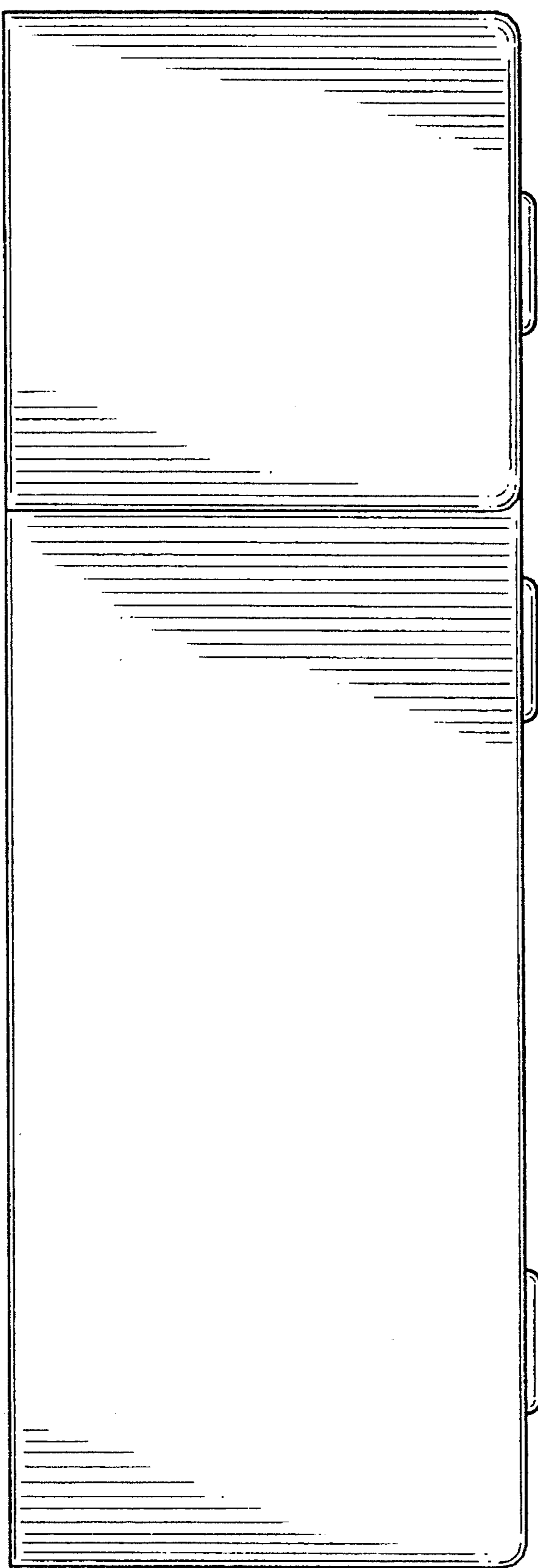


FIG-2



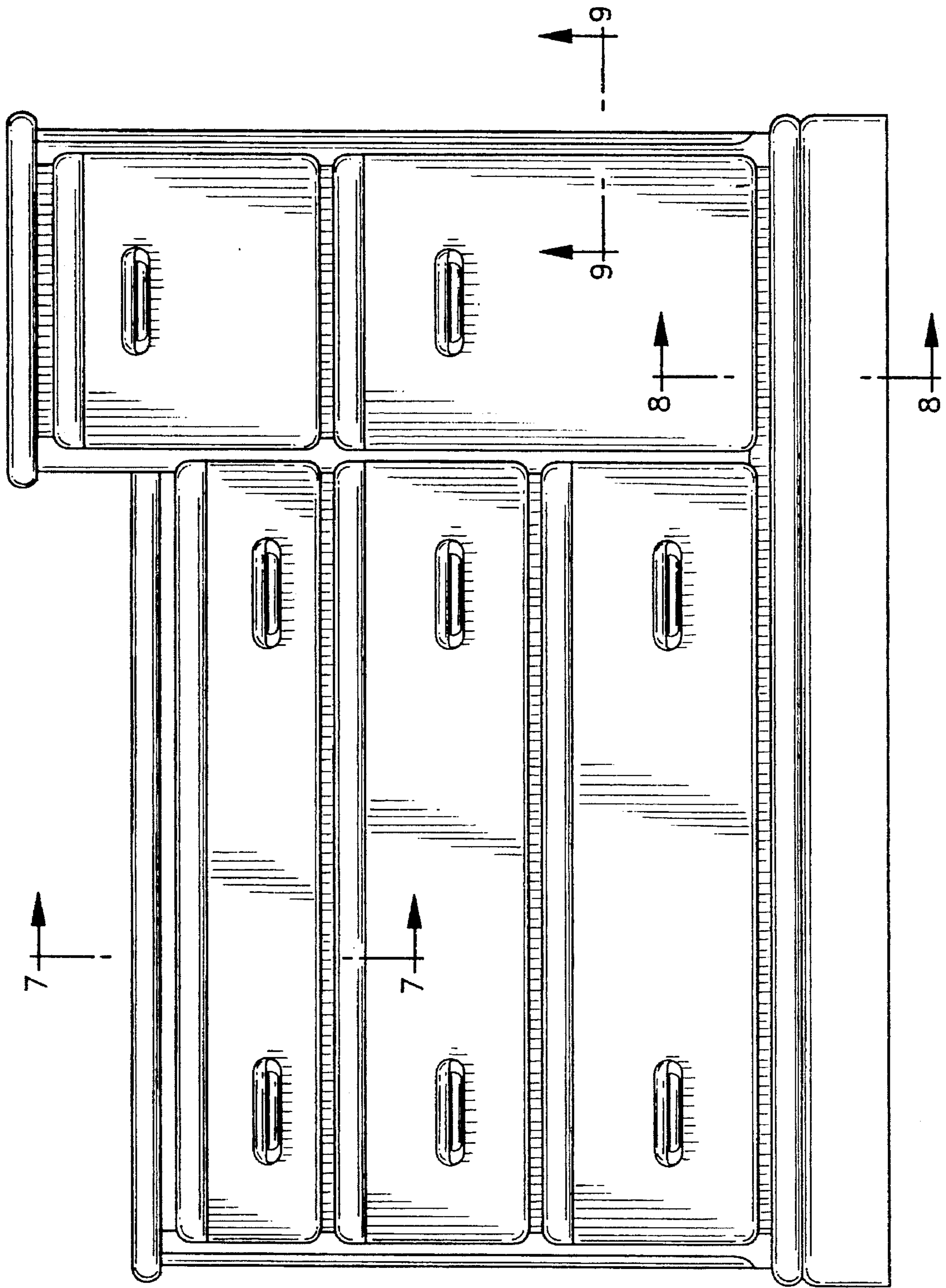
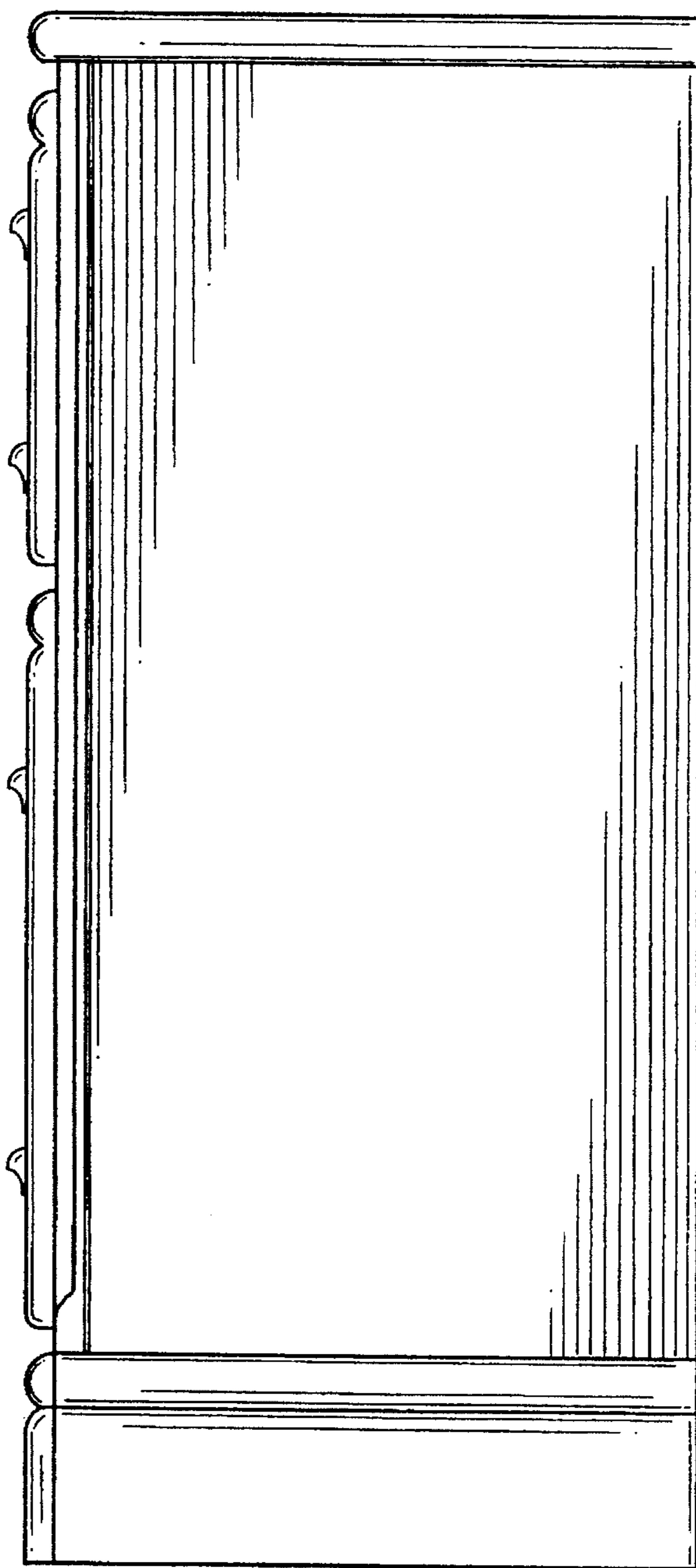


FIG-3

FIG-4



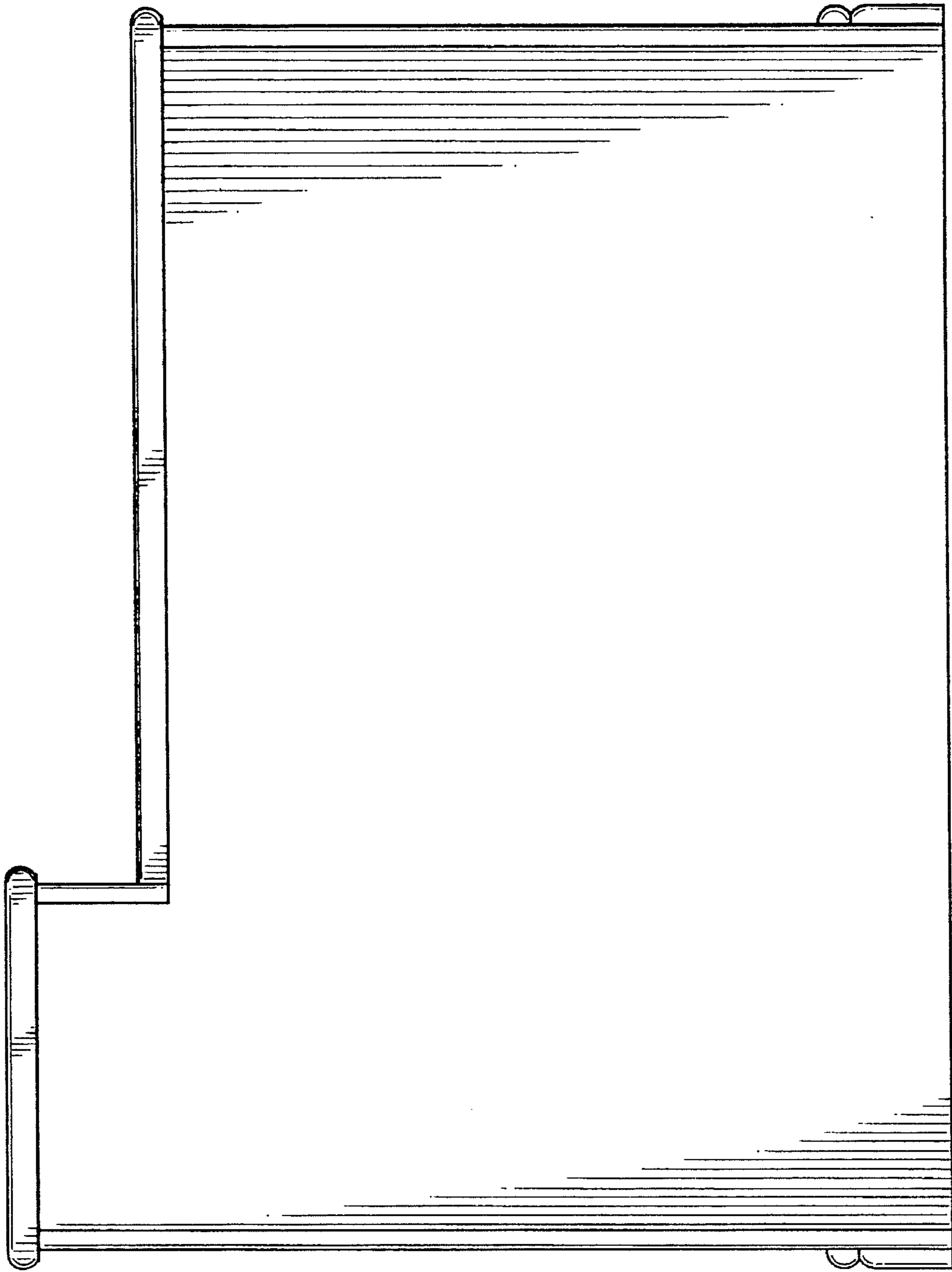


FIG-5

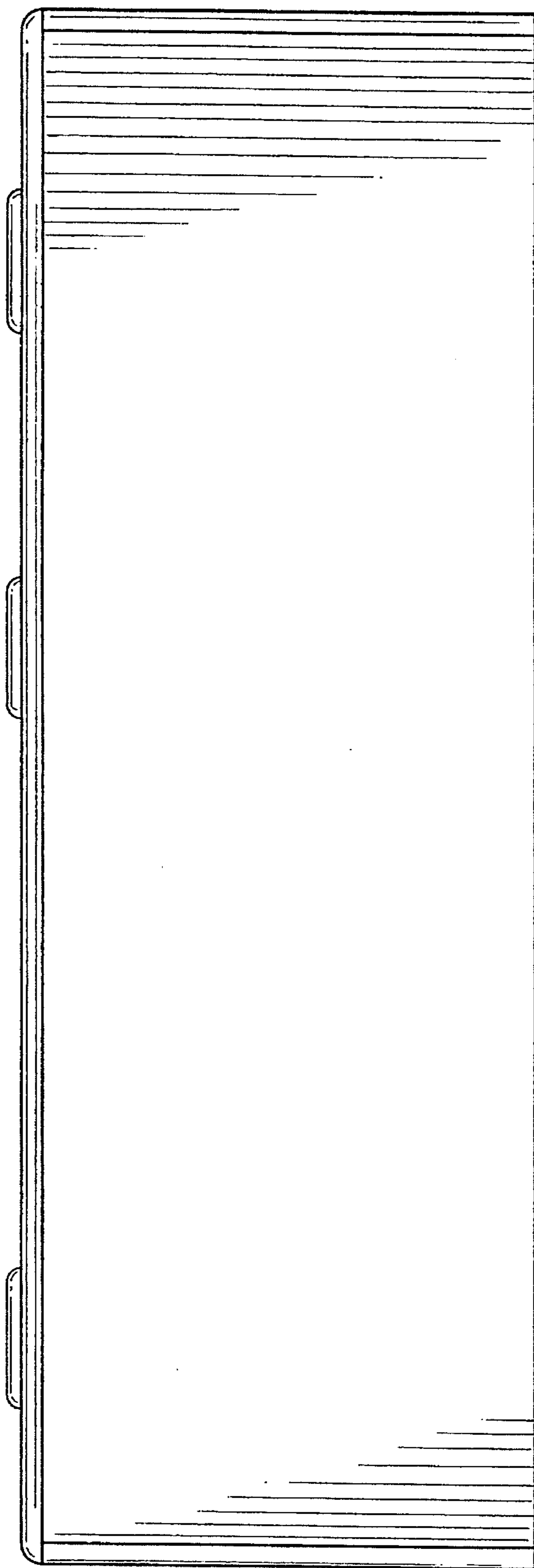


FIG-6

FIG-7

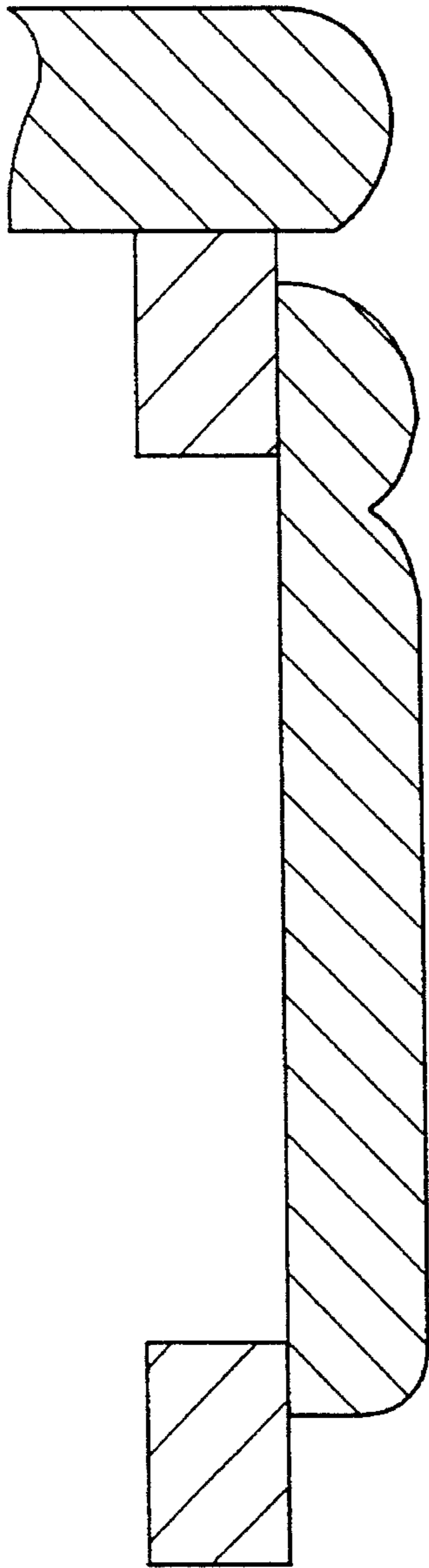


FIG-8

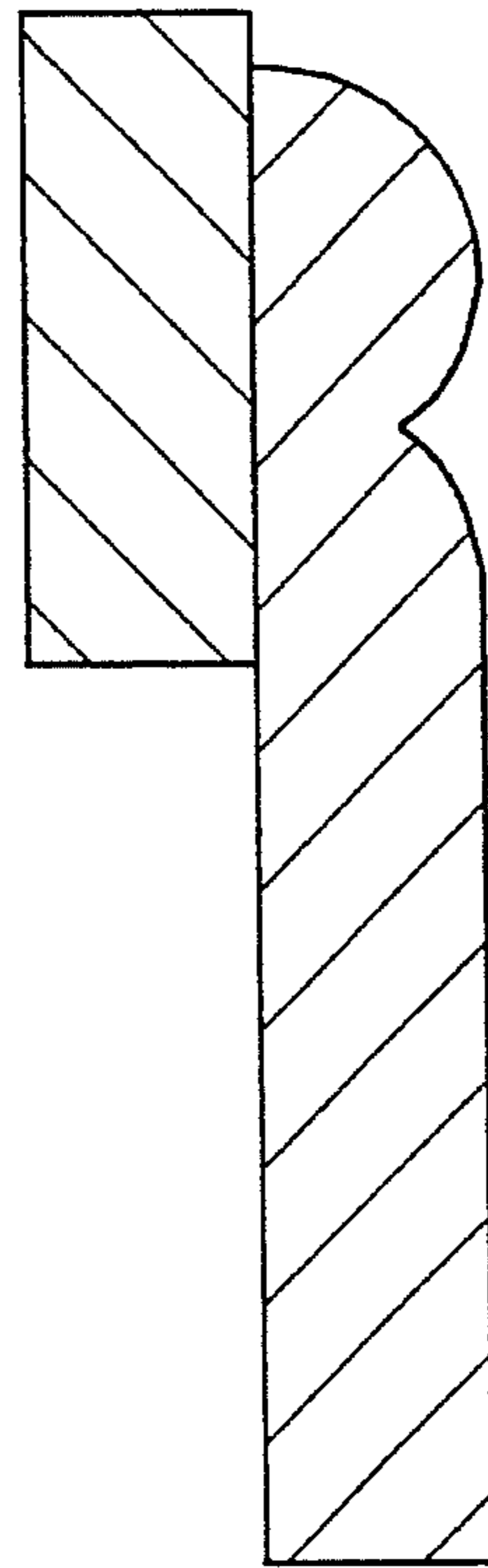


FIG-9

