



US00D365462S

# United States Patent [19] Brandenberg

[11] Patent Number: Des. 365,462

[45] Date of Patent: \*\*Dec. 26, 1995

[54] DRAFTING TABLE

4,562,987 1/1986 Leeds et al. .  
4,783,036 11/1988 Vossoughi .

[76] Inventor: Carl B. Brandenberg, FM 3450, Box 188, Cresson, Tex. 76035

### OTHER PUBLICATIONS

Thomas Register 1990, p. FUR/10528.

[\*\*] Term: 14 Years

Primary Examiner—Carmen H. Vales-Lado  
Attorney, Agent, or Firm—Melvin A. Hunn

[21] Appl. No.: 12,985

[22] Filed: Sep. 15, 1993

### [57] CLAIM

[52] U.S. Cl. .... D6/420

[58] Field of Search ..... D6/419-428, 429-431;  
312/194-196; 108/2, 5, 6, 59, 60, 64

The ornamental design for a drafting table, as shown and described.

### DESCRIPTION

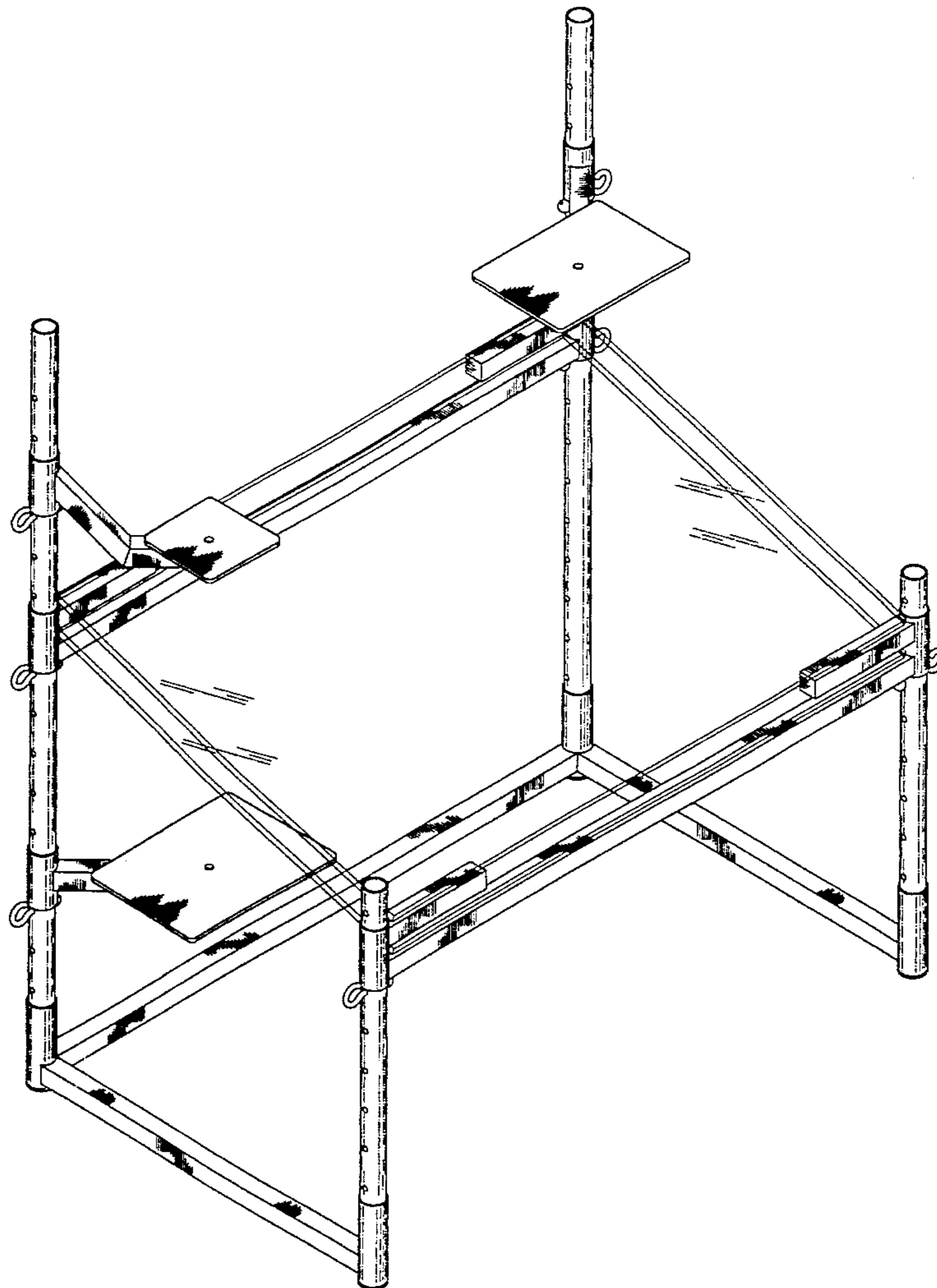
### [56] References Cited

#### U.S. PATENT DOCUMENTS

47,664	5/1865	Sheldon .	
258,442	5/1882	Koser .	
D. 297,987	10/1988	Borsos .....	D6/420
D. 308,922	7/1990	Ng et al. ....	D6/429
D. 323,436	1/1992	Harrison .....	D6/429
D. 327,790	7/1992	Sharar .....	D6/422
554,661	2/1896	Doolittle .	
3,194,403	7/1965	VanHorn, Jr. .	
3,212,748	10/1965	Faurot .	
3,283,913	11/1966	VanHorn, Jr. .	

FIG. 1 is a an oblique view of a drafting table showing my new design;  
FIG. 2 is a front elevational view thereof;  
FIG. 3 is a right side elevational view thereof;  
FIG. 4 is a rear elevational view thereof;  
FIG. 5 is a left side elevational view thereof;  
FIG. 6 is a top plan view thereof;  
FIG. 7 is a bottom plan view thereof; and,  
FIG. 8 is a perspective view thereof.

1 Claim, 8 Drawing Sheets



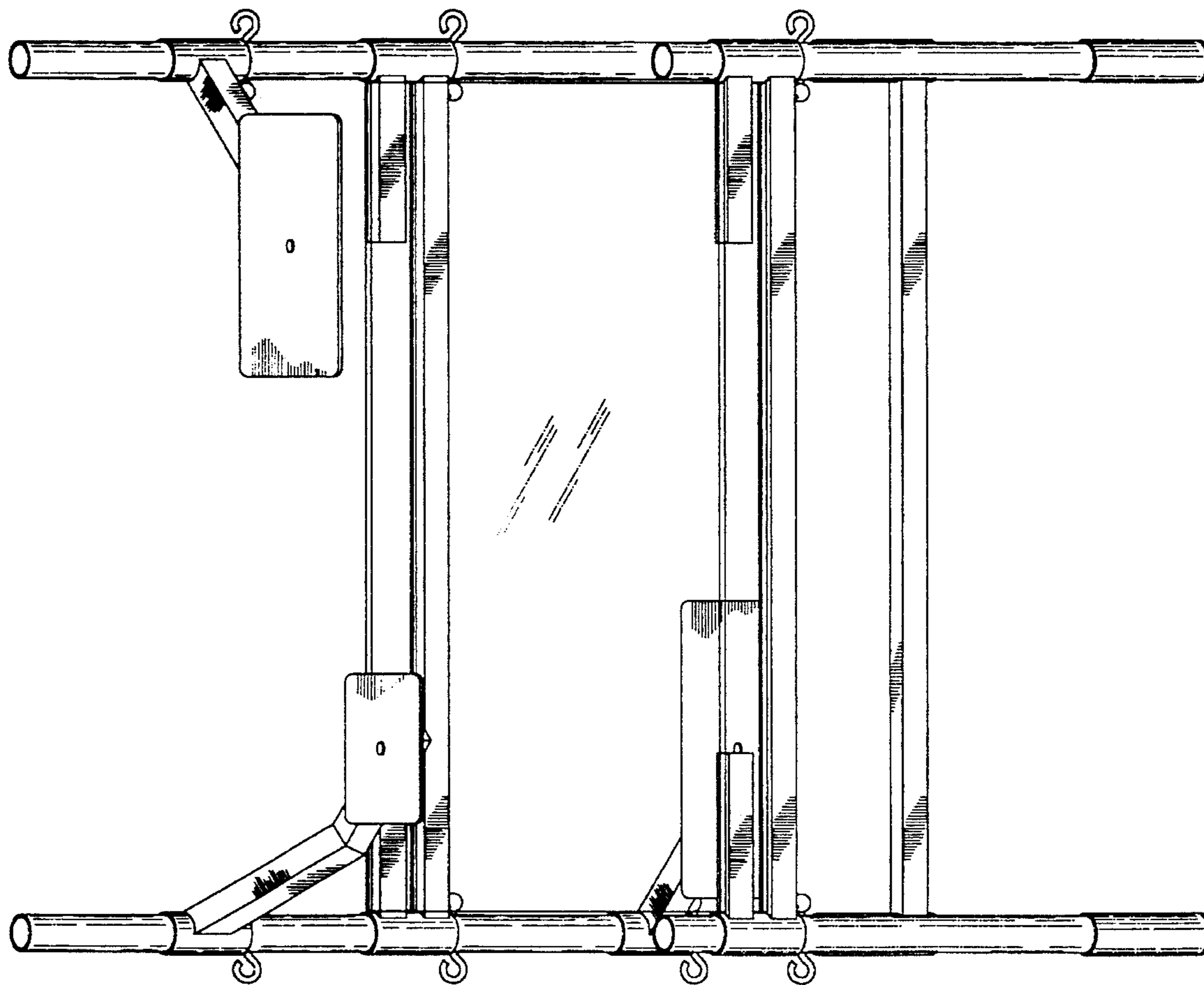


FIGURE 1

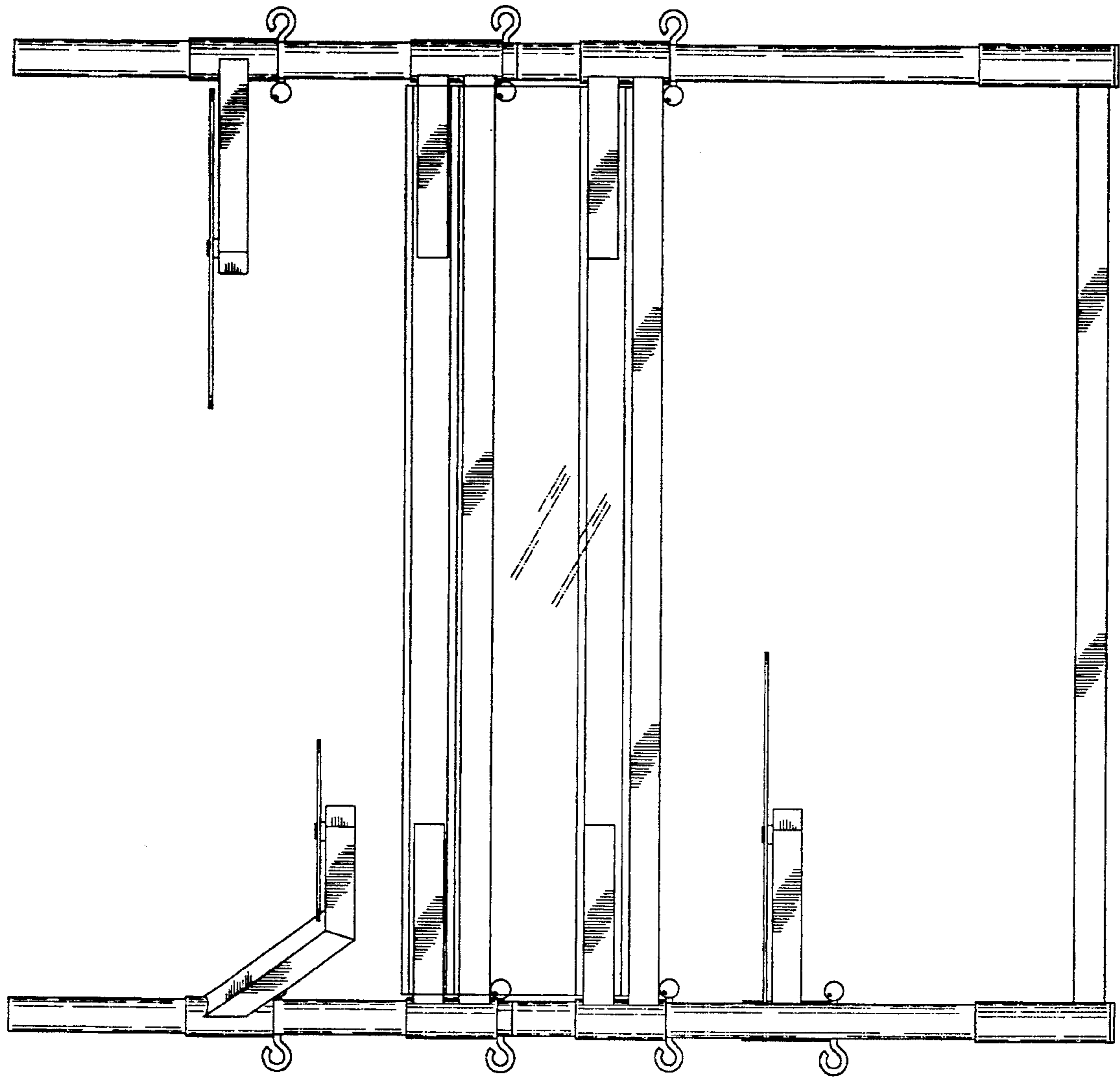


FIGURE 2

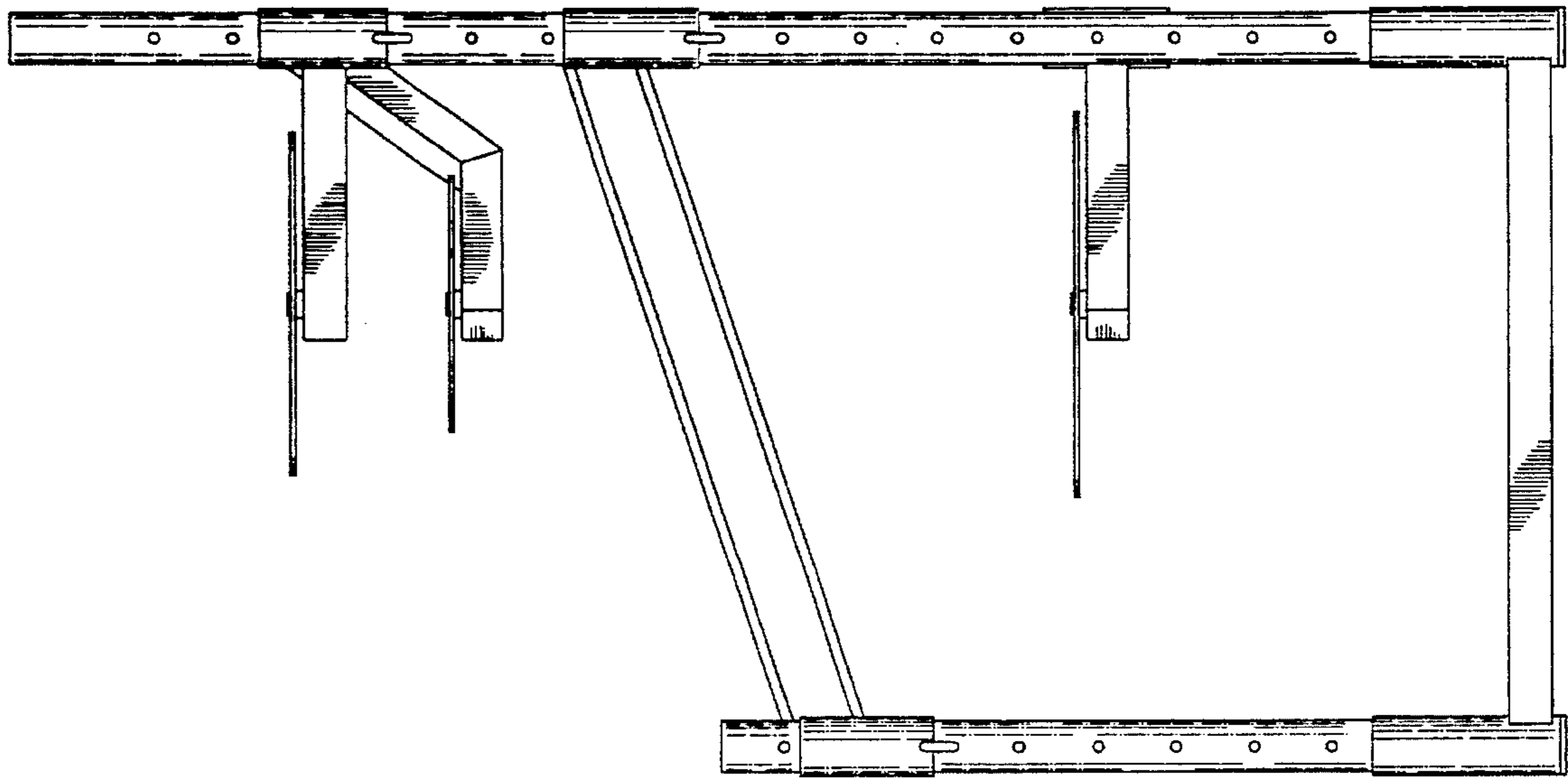


FIGURE 3

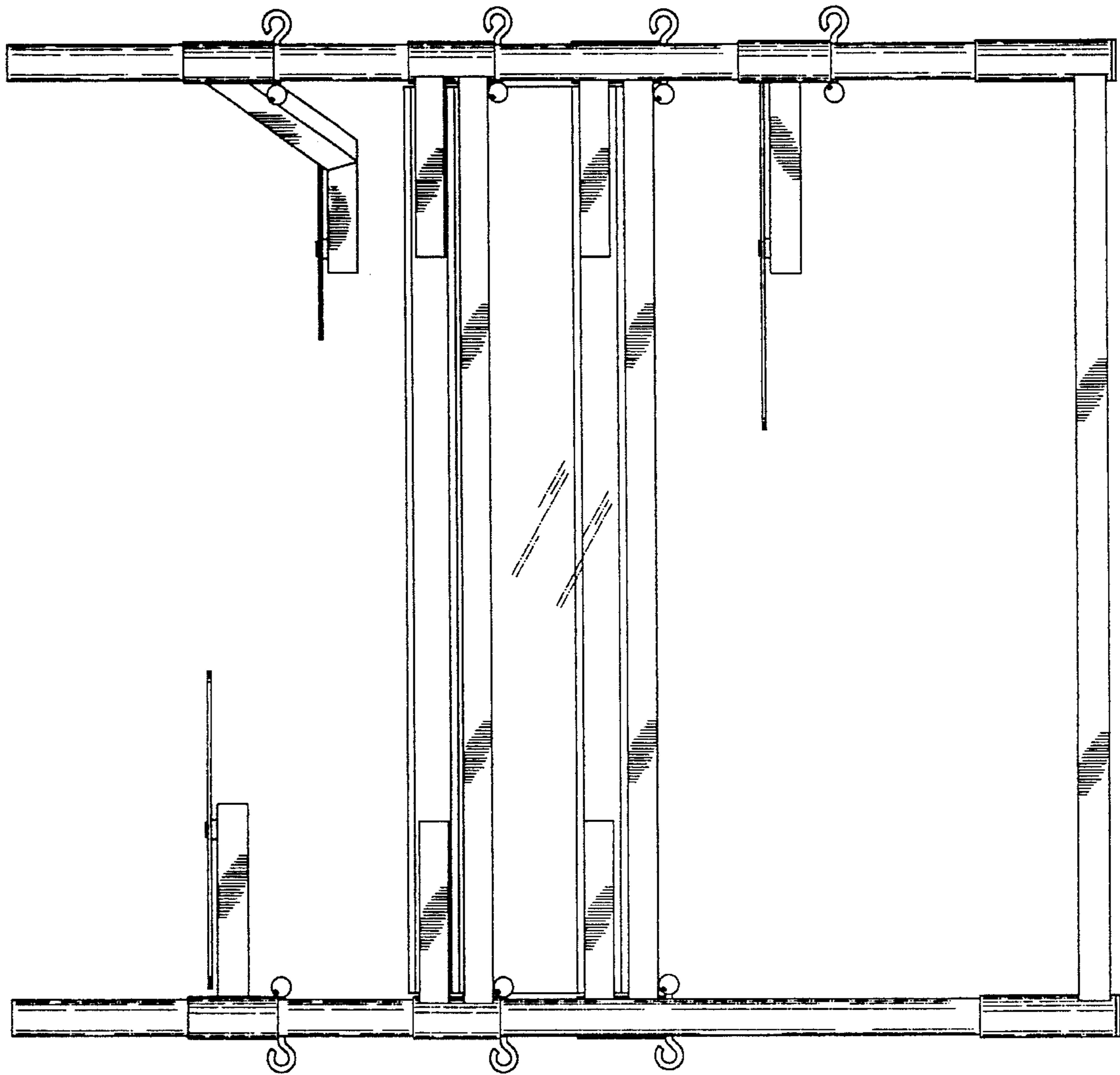


FIGURE 4

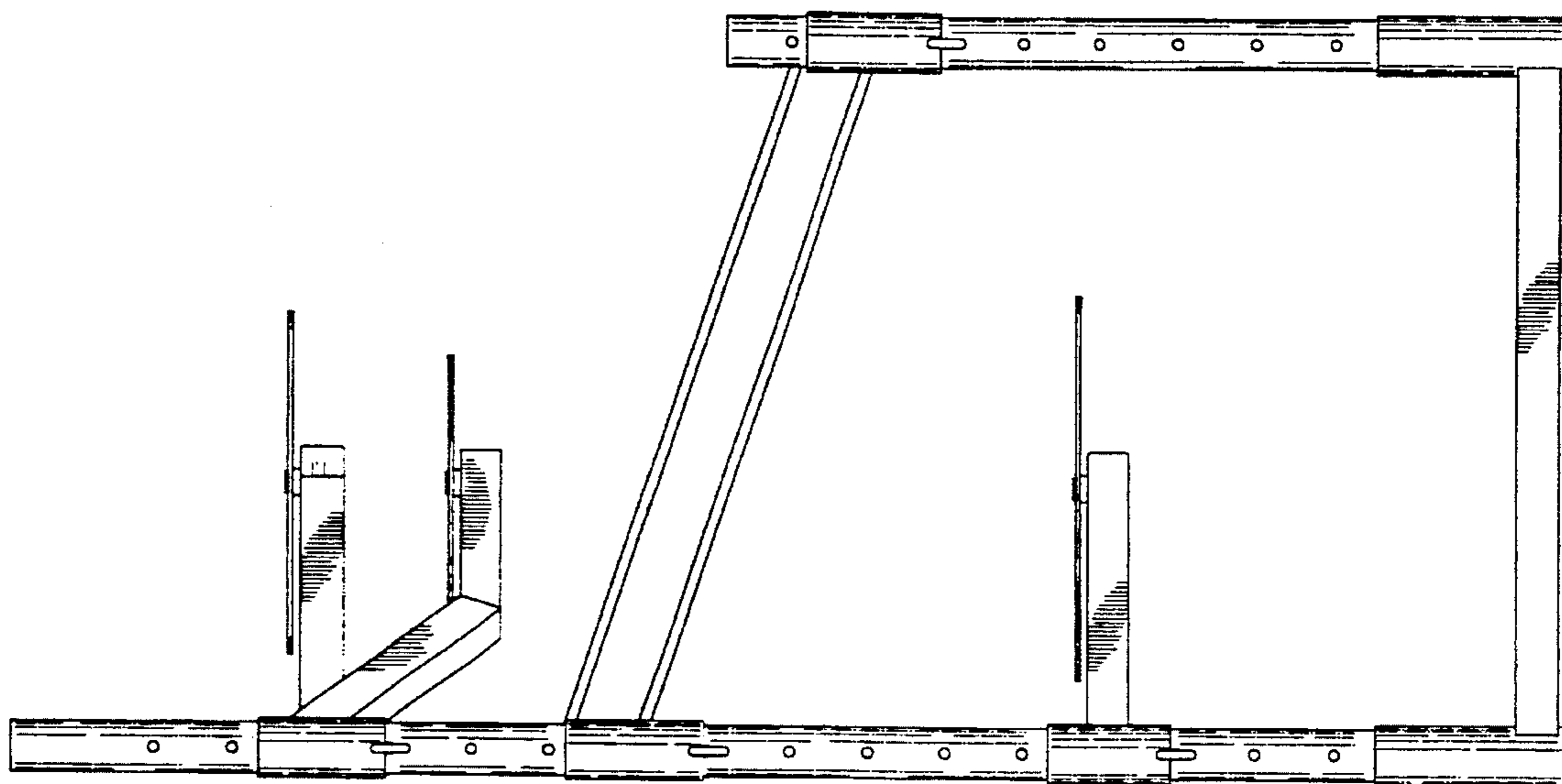


FIGURE 5

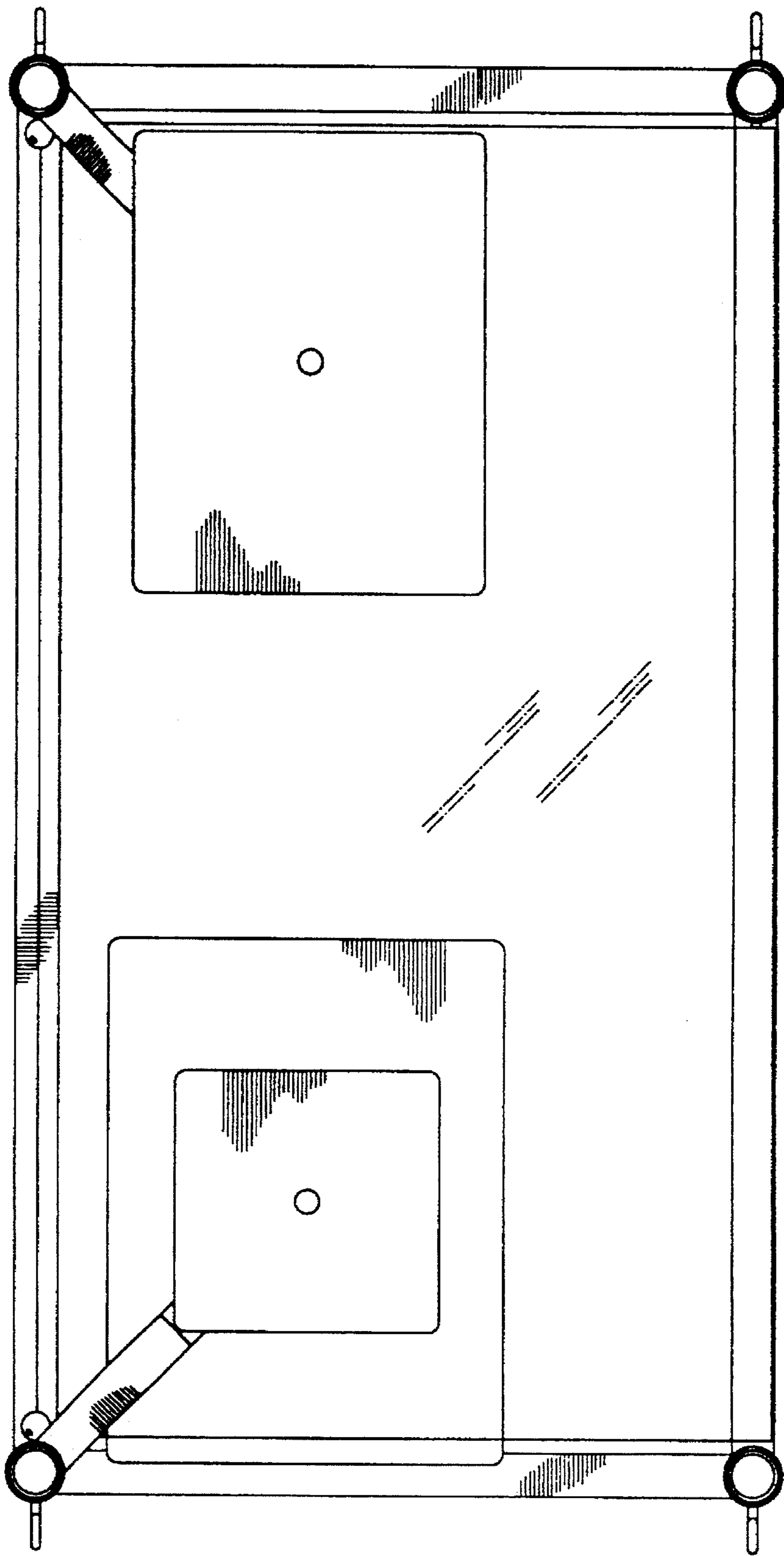


FIGURE 6

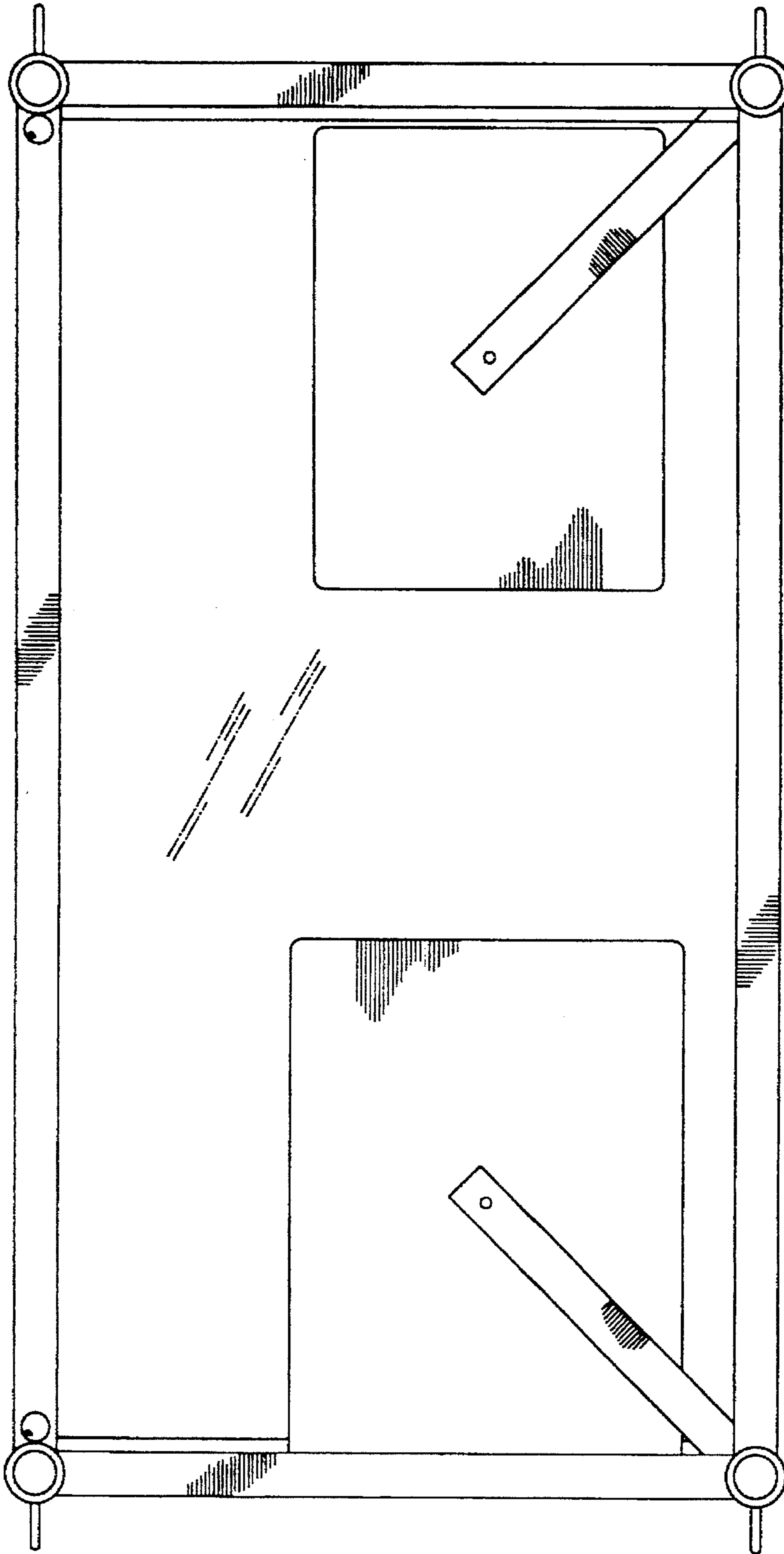


FIGURE 7



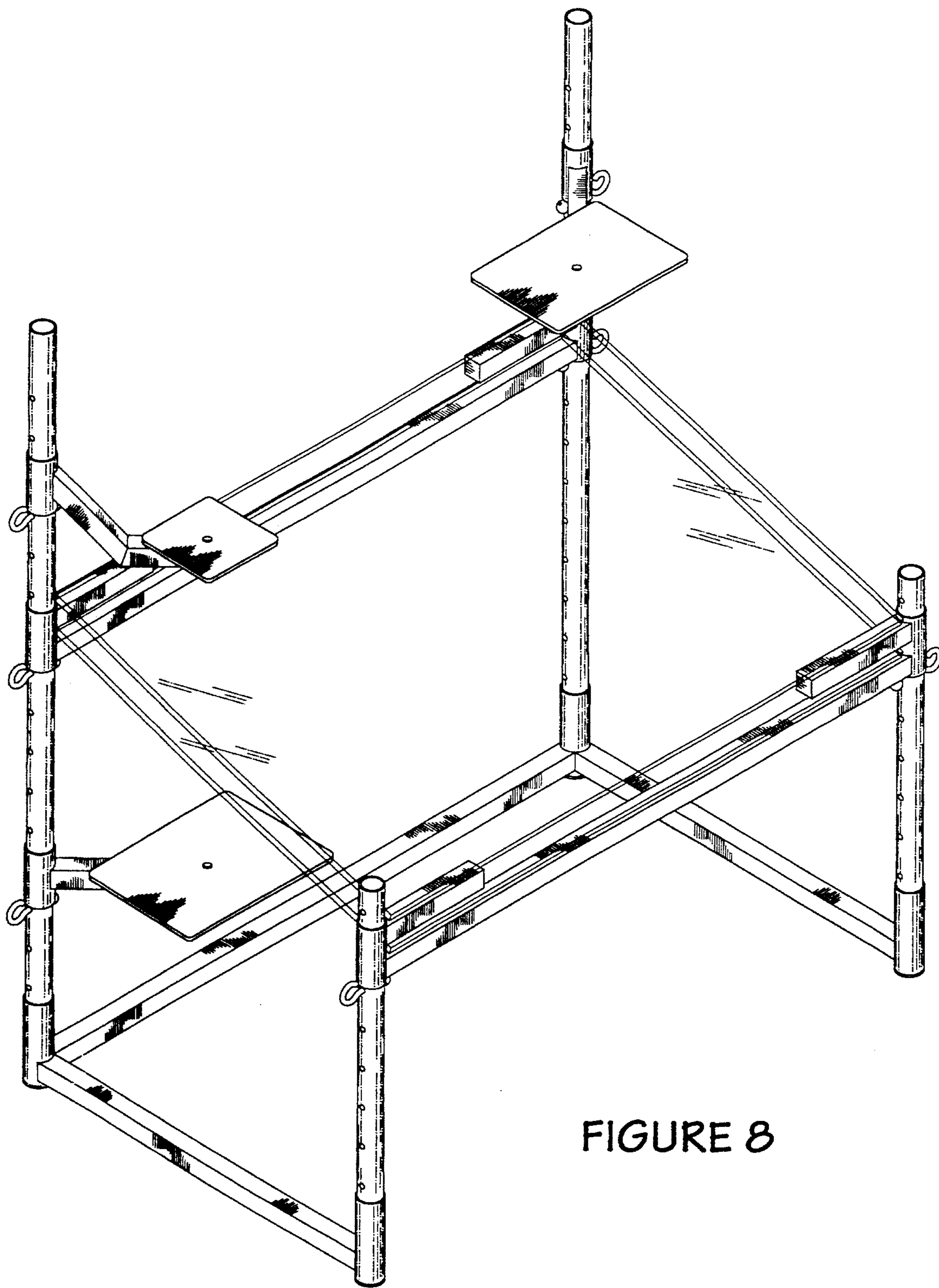


FIGURE 8