

US00D365456S

United States Patent [19]

Natuzzi et al.

[11] Patent Number: **Des. 365,456**

[45] Date of Patent: ****Dec. 26, 1995**

[54] SEAT

[75] Inventors: **Pasquale Natuzzi**, Santeramo In Colle;
Arcangelo Scarati, Talsano, both of
Italy

[73] Assignee: **Industrie Natuzzi, SPA**, Bari, Italy

[**] Term: **14 Years**

[21] Appl. No.: **29,718**

[22] Filed: **Oct. 14, 1994**

[52] U.S. Cl. **D6/381**; D6/334

[58] Field of Search D6/334, 335, 336,
D6/364, 371, 373, 381, 500, 501, 502;
297/232, 445, 446

[56] References Cited

U.S. PATENT DOCUMENTS

D. 227,208	6/1973	Winrow	D6/334
D. 261,331	10/1981	Benz	D6/334
D. 263,658	4/1982	Saporiti	D6/334
D. 270,404	9/1983	Saporiti	D6/381
D. 282,888	3/1986	Williams	D6/381
D. 284,145	6/1986	Staats et al.	D6/381
D. 293,283	12/1987	Formenti	D6/381
D. 298,191	10/1988	Offredi	D6/381
D. 336,386	6/1993	Gera	D6/381
D. 344,861	3/1994	Natuzzi et al.	D6/381

OTHER PUBLICATIONS

Natuzzi Model 451, Oct. 1988 at International Home Furnishings Market in High Point, N.C.

Natuzzi Model 462, Oct. 1988 at International Home Furnishings Market in High Point, N.C.

Natuzzi Model 763, Apr. 1990 at International Home Furnishings Market in High Point, N.C.

Natuzzi Model 793, Oct. 1990 at International Home Furnishings Market in High Point, N.C.

Natuzzi Model 895, Apr. 1992 at International Home Furnishings Market in High Point, N.C.

Natuzzi Model 908, Apr. 1992 at International Home Furnishings Market in High Point, N.C.

Natuzzi Model 970, Oct. 1992 at International Home Furnishings Market in High Point, N.C.

Natuzzi Model 1003, Apr. 1993 at International Home Furnishings Market in High Point, N.C.

Natuzzi Model 1045, Apr. 1993 at International Home Furnishings Market in High Point, N.C.

Natuzzi Model 1087, Sep. 1993 at International Home Furnishings Market in High Point, N.C.

Primary Examiner—Alan P. Douglas

Assistant Examiner—Gary D. Watson

Attorney, Agent, or Firm—Bell, Seltzer, Park & Gibson

[57] CLAIM

The ornamental design for a seat, as shown and described.

DESCRIPTION

FIG. 1 is a right side perspective view of a seat showing our new design in the form of a sofa;

FIG. 2 is a left side perspective view;

FIG. 3 is a top plan view on a smaller scale;

FIG. 4 is a right side perspective view of a seat showing our new design in the form of a loveseat;

FIG. 5 is a left side perspective view;

FIG. 6 is a top plan view on a smaller scale;

FIG. 7 is a right side perspective view of a seat showing our new design in the form of a chair;

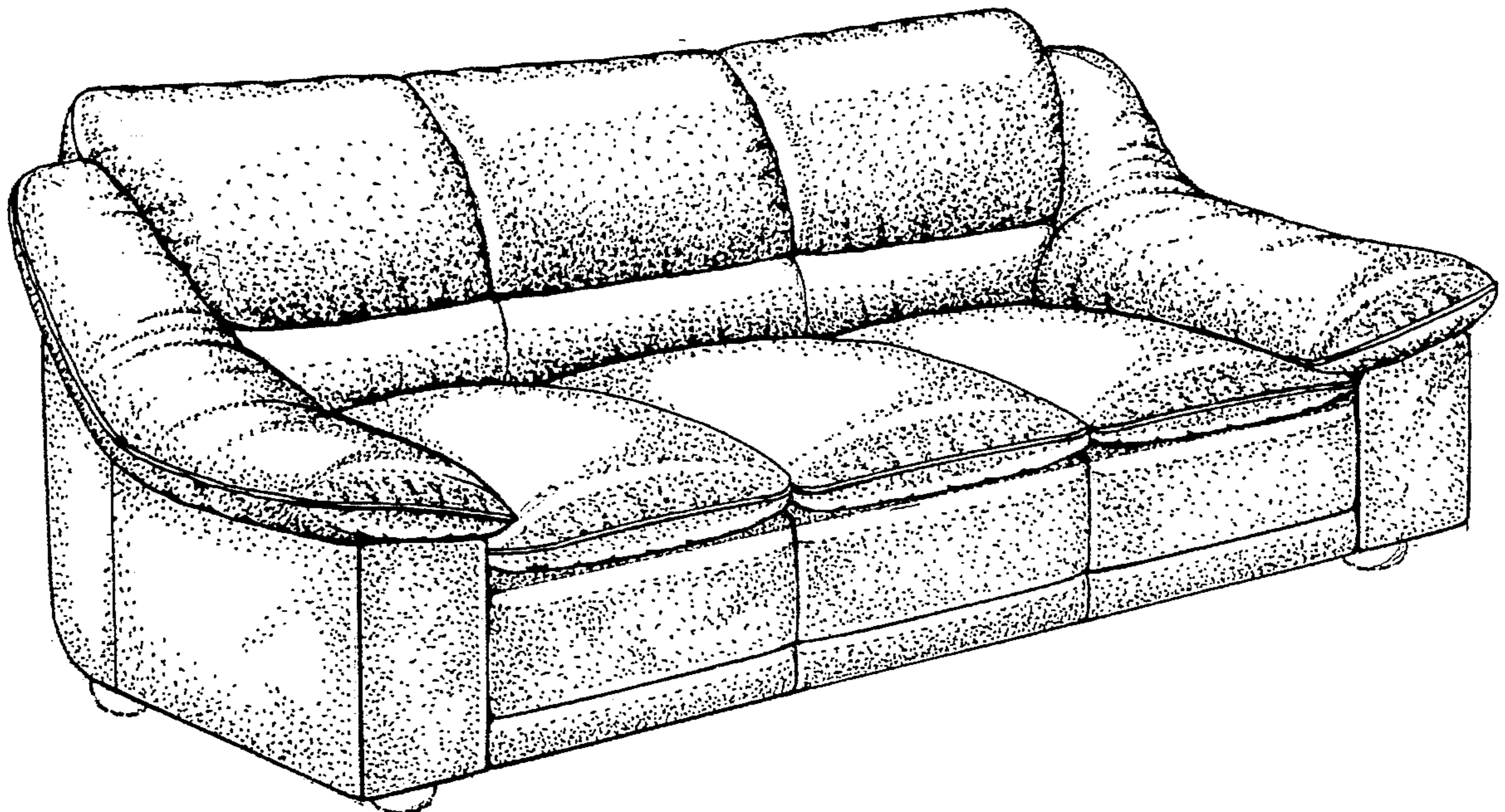
FIG. 8 is a left side perspective view;

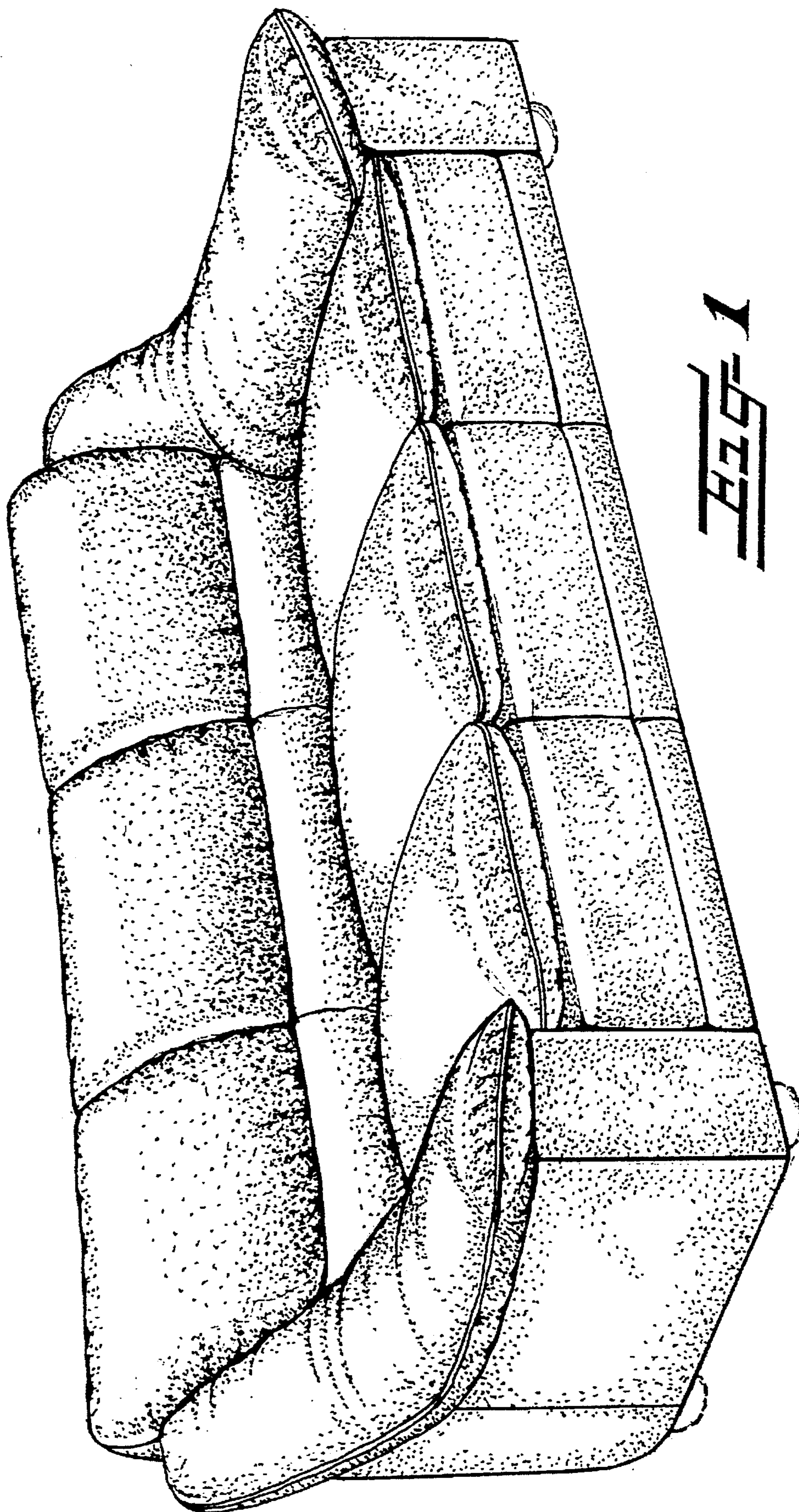
FIG. 9 is a top plan view on a smaller scale; and,

FIG. 10 is a rear view of the sofa shown in FIG. 1. The rear view of the other two embodiments are the same, the only difference being a matter of length.

The broken line showing of leg members is for illustrative purposes only and forms no part of the claimed design.

1 Claim, 6 Drawing Sheets





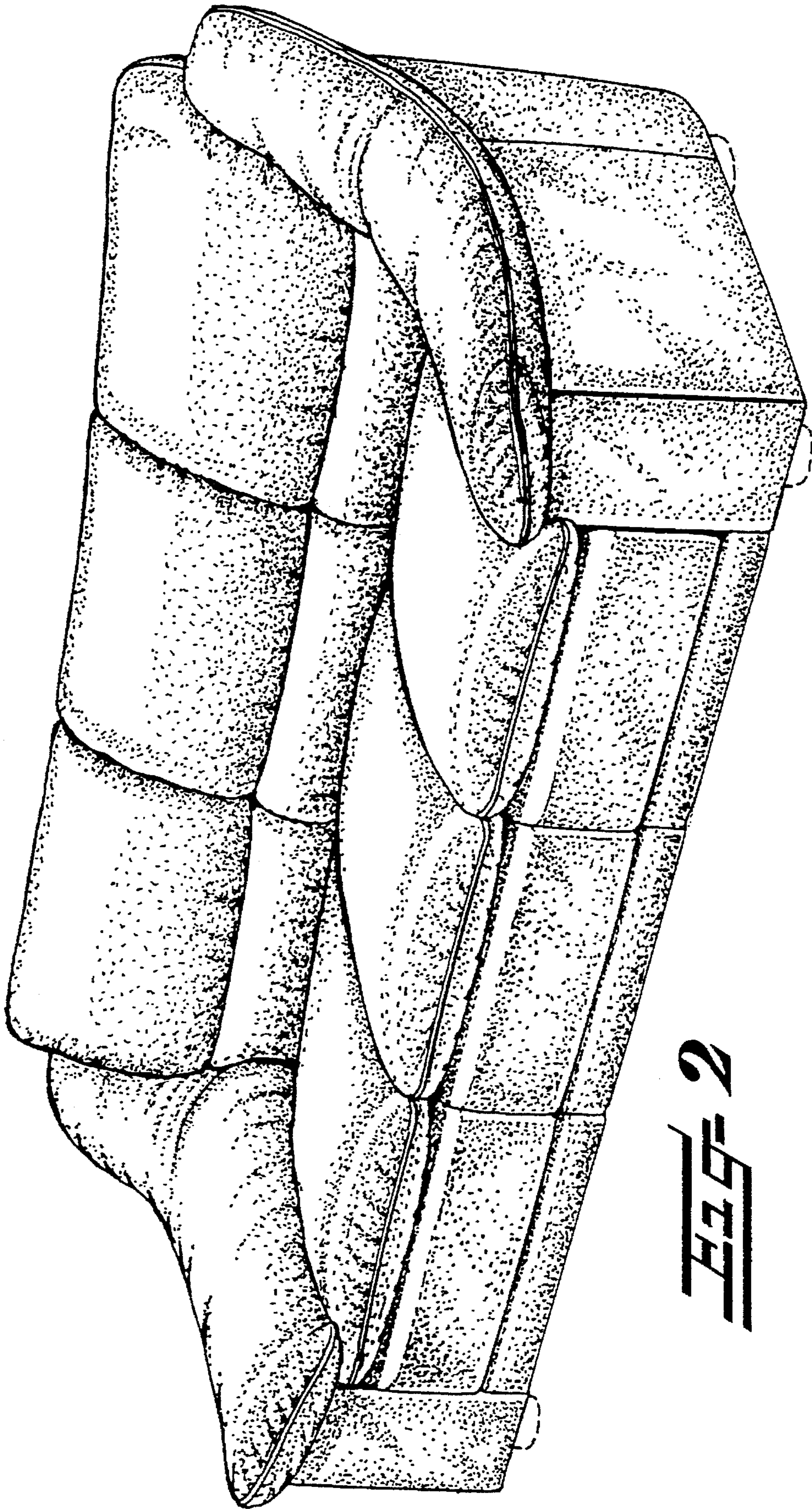


FIG. 2

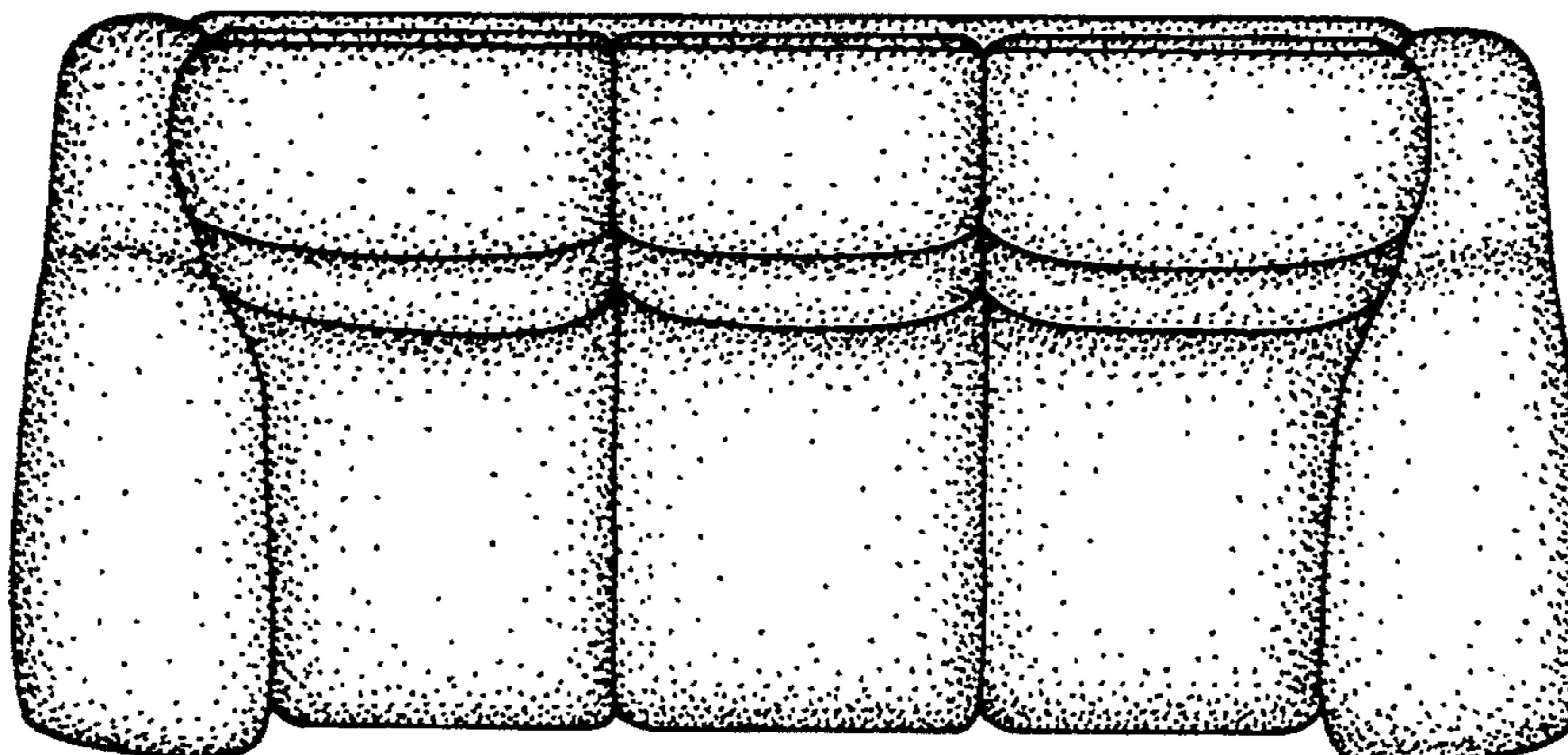


FIG-3

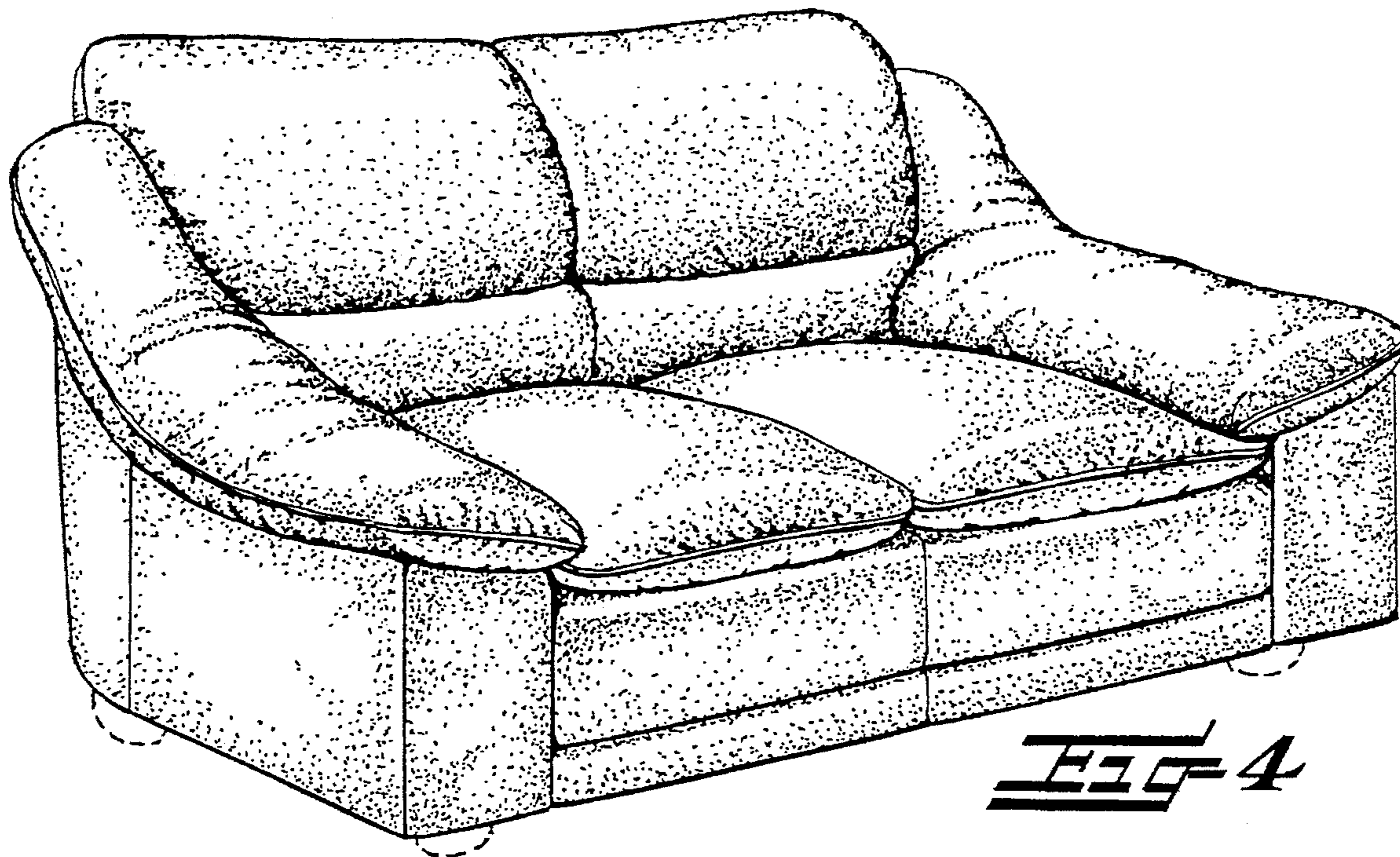


FIG-4

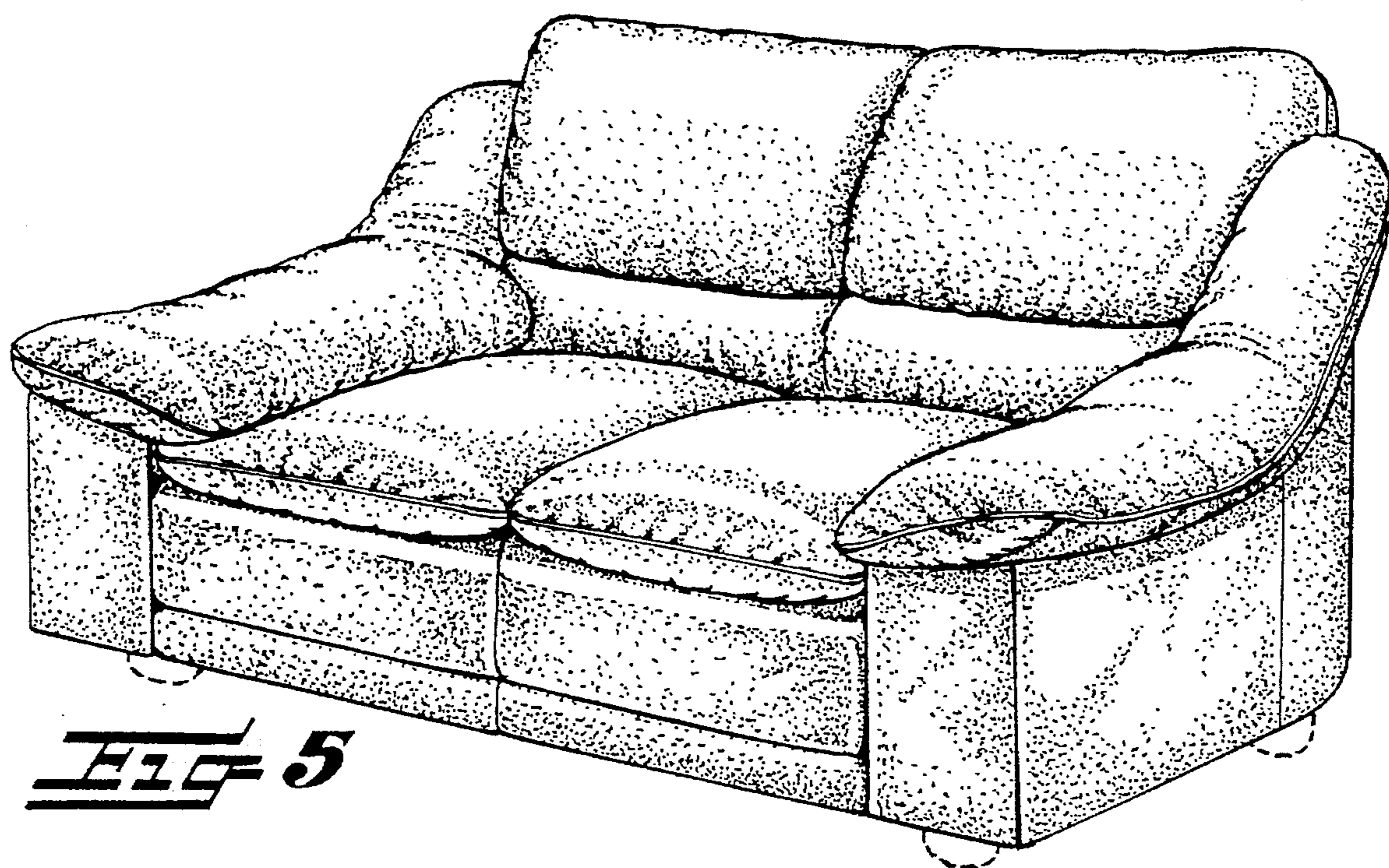


FIG 5

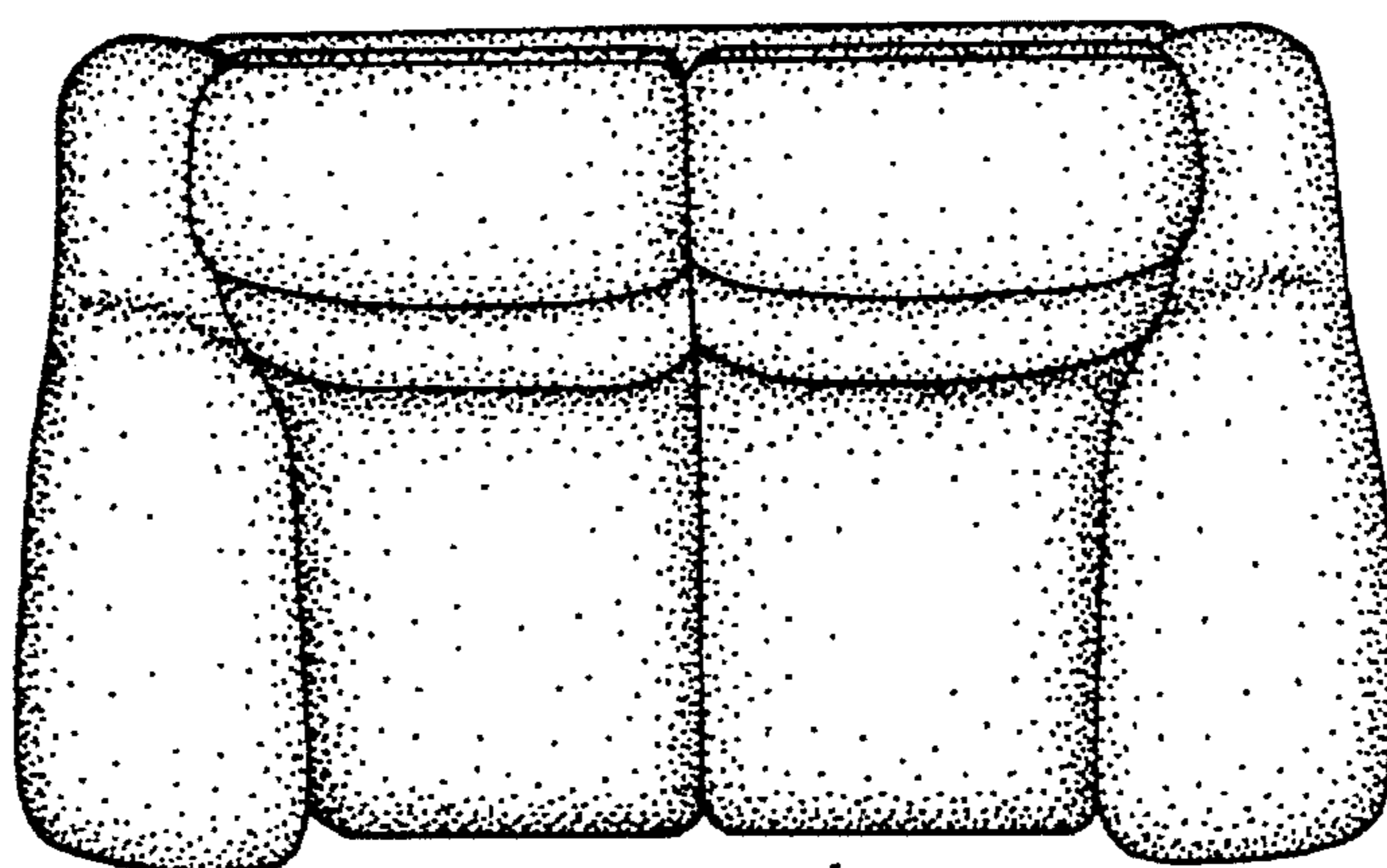
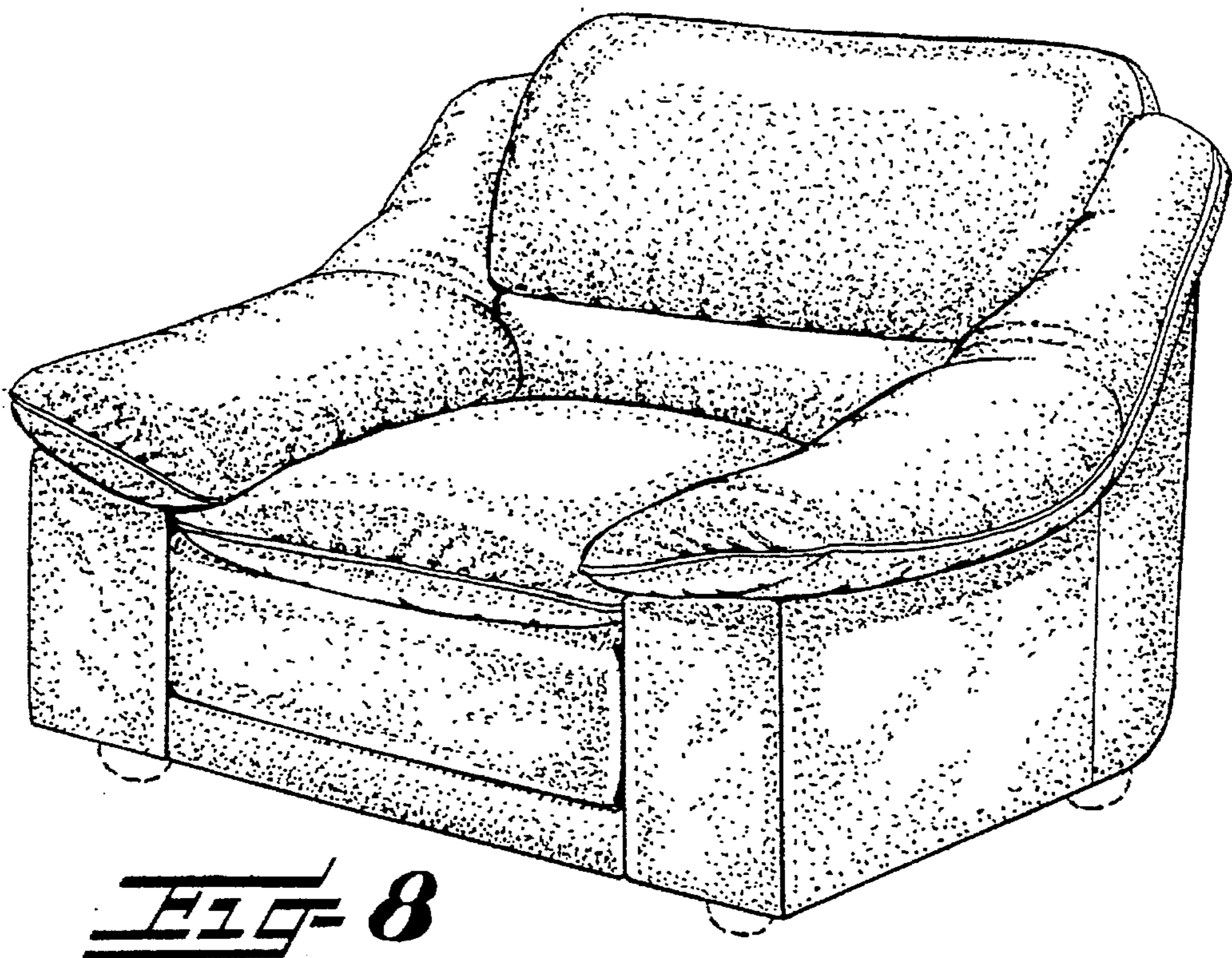
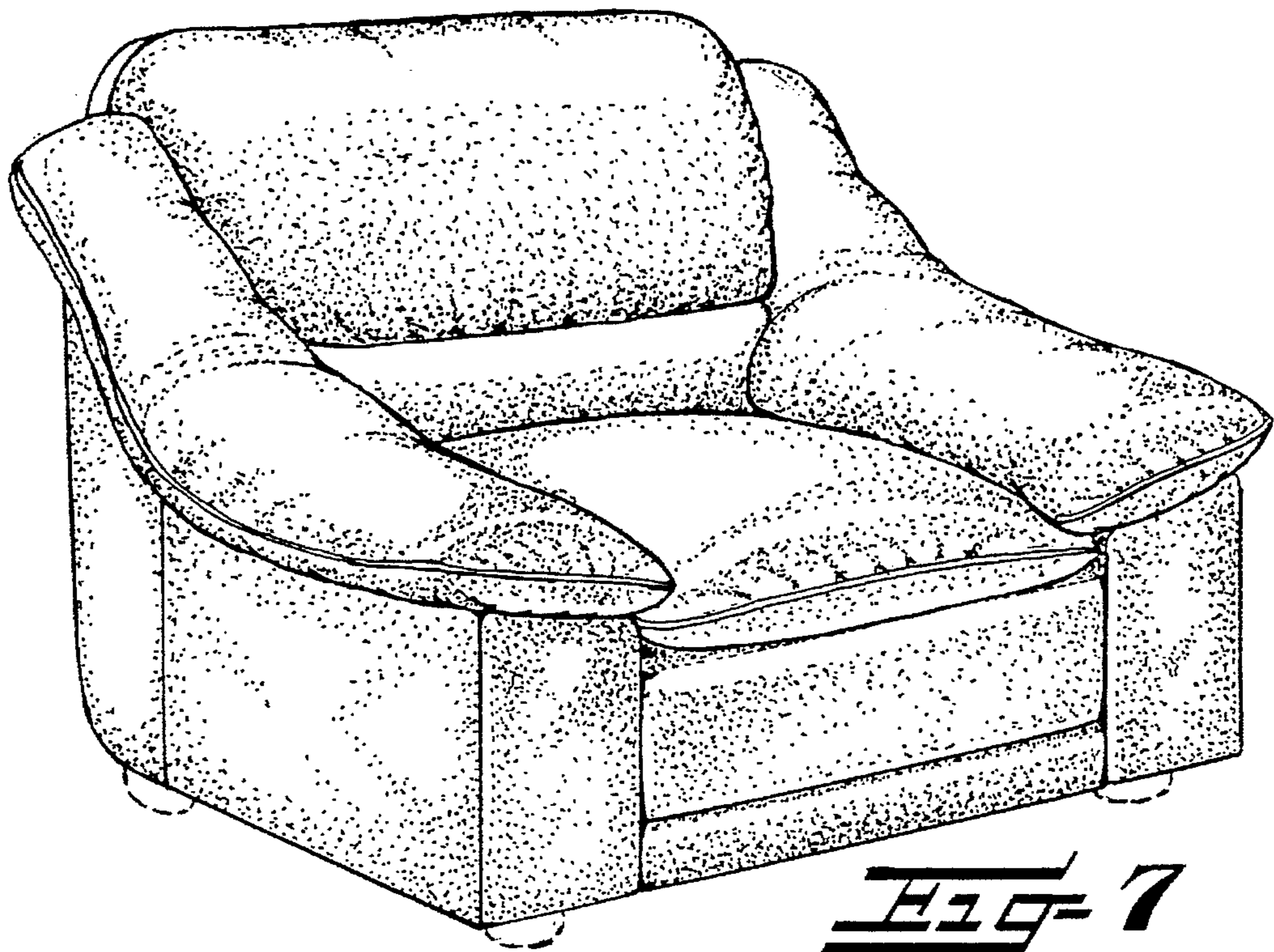


FIG 6



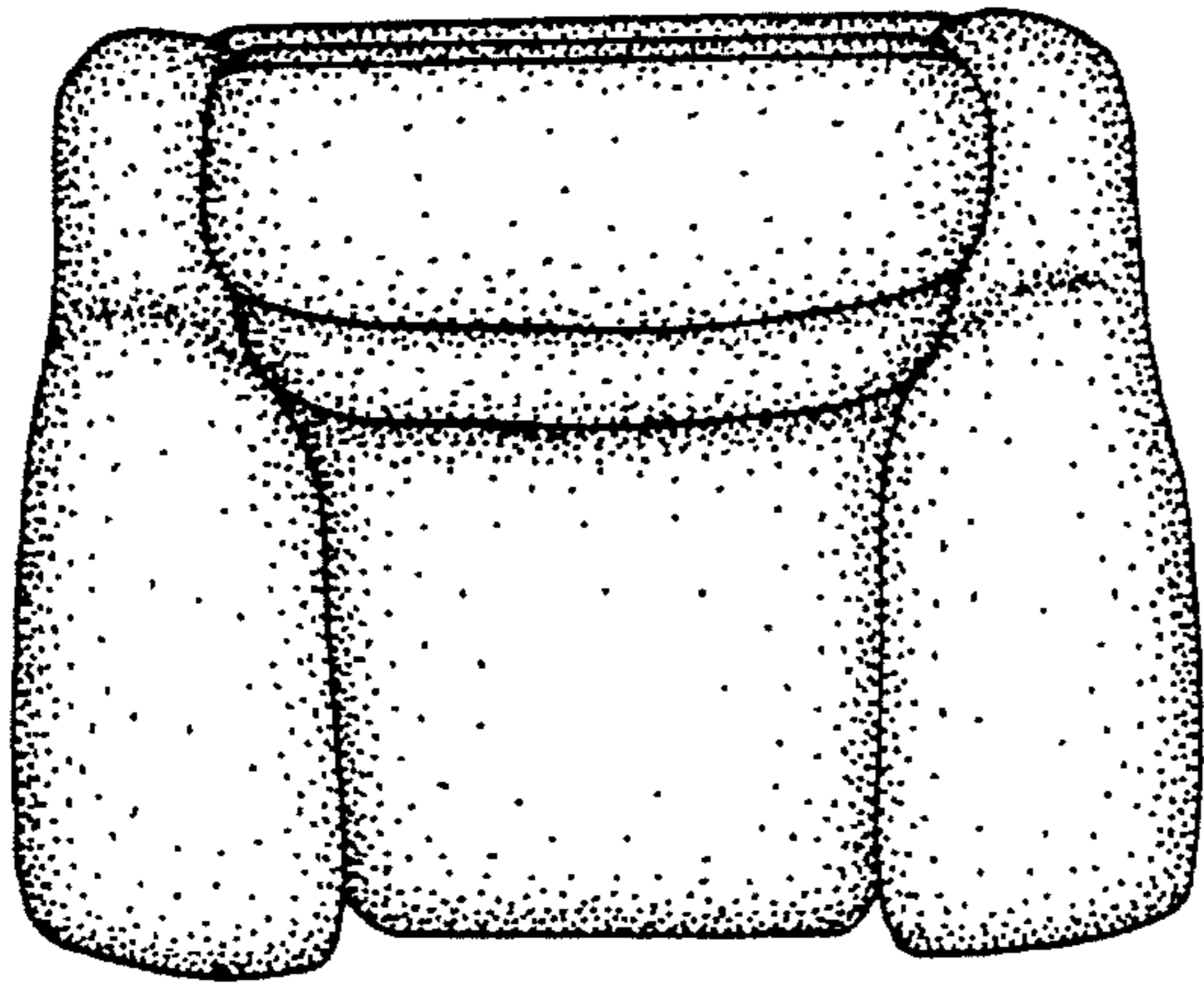


FIG. 9

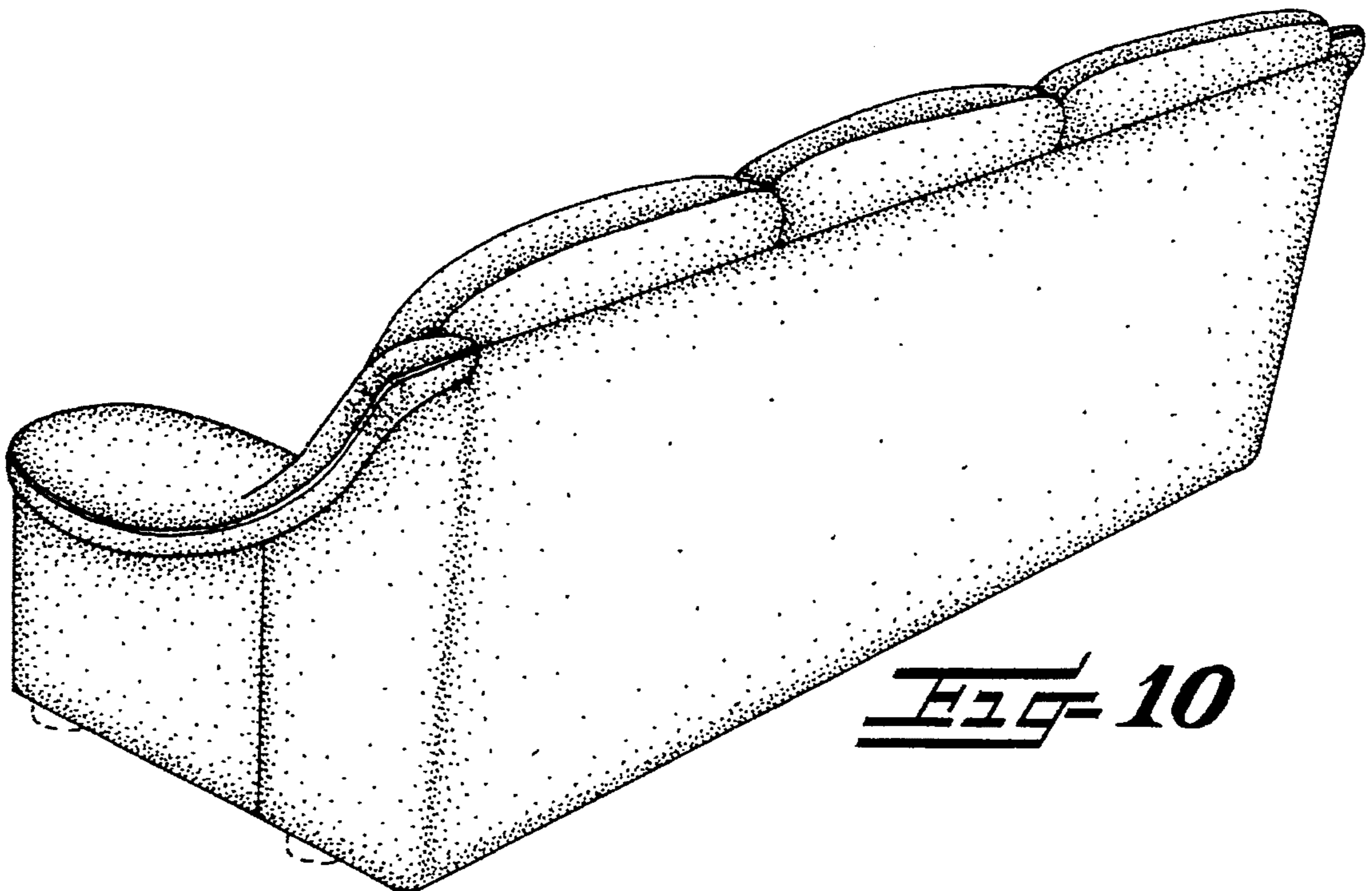


FIG. 10