



US00D365451S

United States Patent [19]

[11] Patent Number: **Des. 365,451**

Shahid

[45] Date of Patent: ****Dec. 26, 1995**

[54] **CHAIR WITH STORAGE BAGS AND CANOPY**

4,687,249 8/1987 Mills D6/335 X
5,350,215 9/1994 DeMars 297/35 X

[76] Inventor: **William M. Shahid**, P.O. Box 85,
Destin, Fla. 32540

Primary Examiner—Alan P. Douglas
Assistant Examiner—Gary D. Watson
Attorney, Agent, or Firm—George A. Bode

[**] Term: **14 Years**

[57] **CLAIM**

[21] Appl. No.: **28,024**

The ornamental design for a chair with storage bags and canopy, as shown and described.

[22] Filed: **Sep. 2, 1994**

[52] U.S. Cl. **D6/336; D6/335; D6/368**

DESCRIPTION

[58] **Field of Search** D6/334, 335, 336,
D6/368, 374, 379, 380, 500, 501, 502;
297/35, 129, 188.01

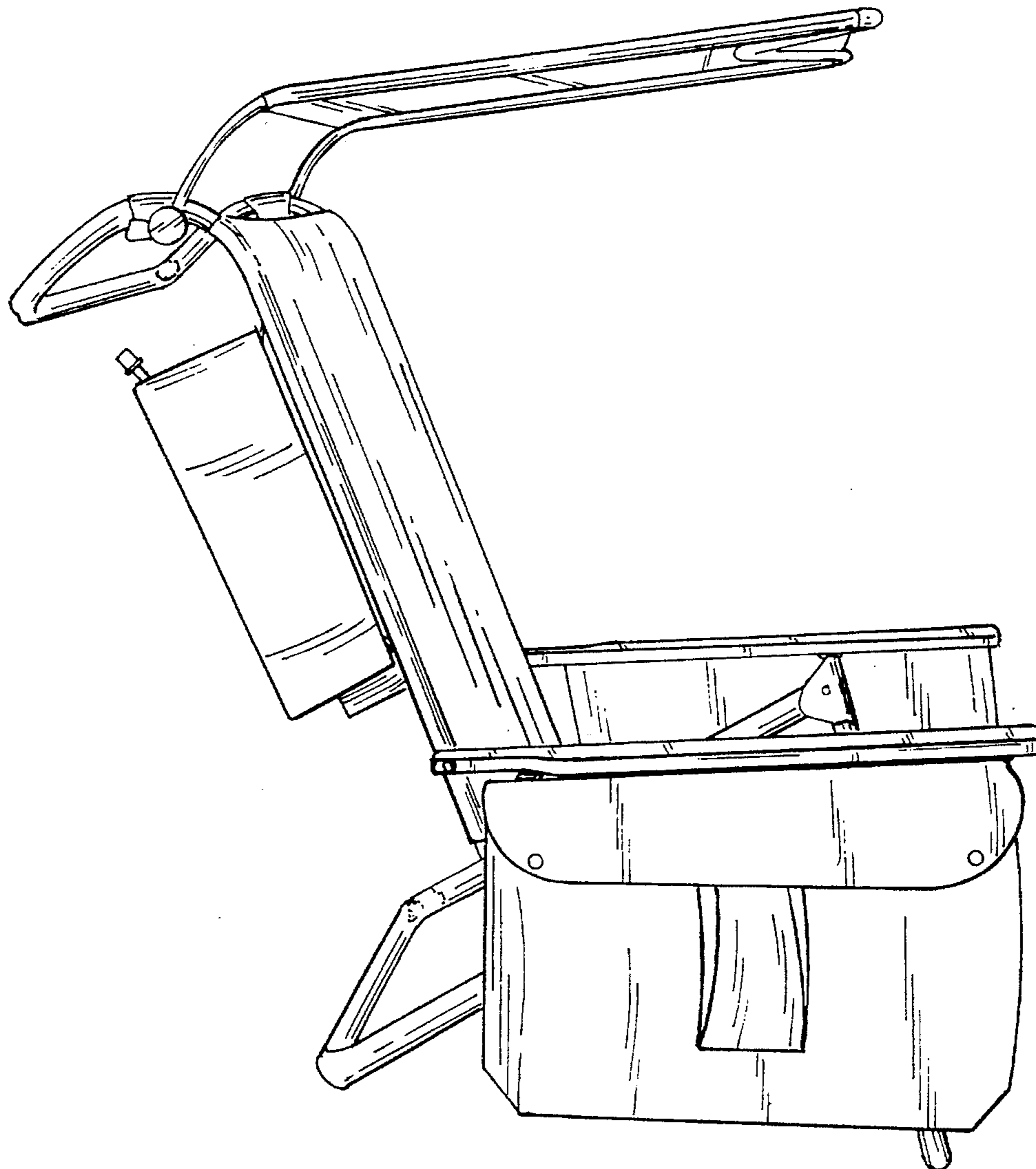
FIG. 1 is a front elevational view of a chair with storage bags and canopy showing my new design;
FIG. 2 is a right side elevational view thereof;
FIG. 3 is a left side elevational view thereof;
FIG. 4 is a top plan view thereof;
FIG. 5 is a bottom plan view thereof;
FIG. 6 is a rear elevational view thereof; and,
FIG. 7 is a front and right side perspective view thereof.

[56] **References Cited**

U.S. PATENT DOCUMENTS

D. 175,596 9/1955 Hampshire D6/335
3,151,909 10/1964 Gerdetz D6/336 X
4,300,798 11/1981 Musgrove et al. D6/335 X
4,676,548 6/1987 Bradbury D6/335 X

1 Claim, 7 Drawing Sheets



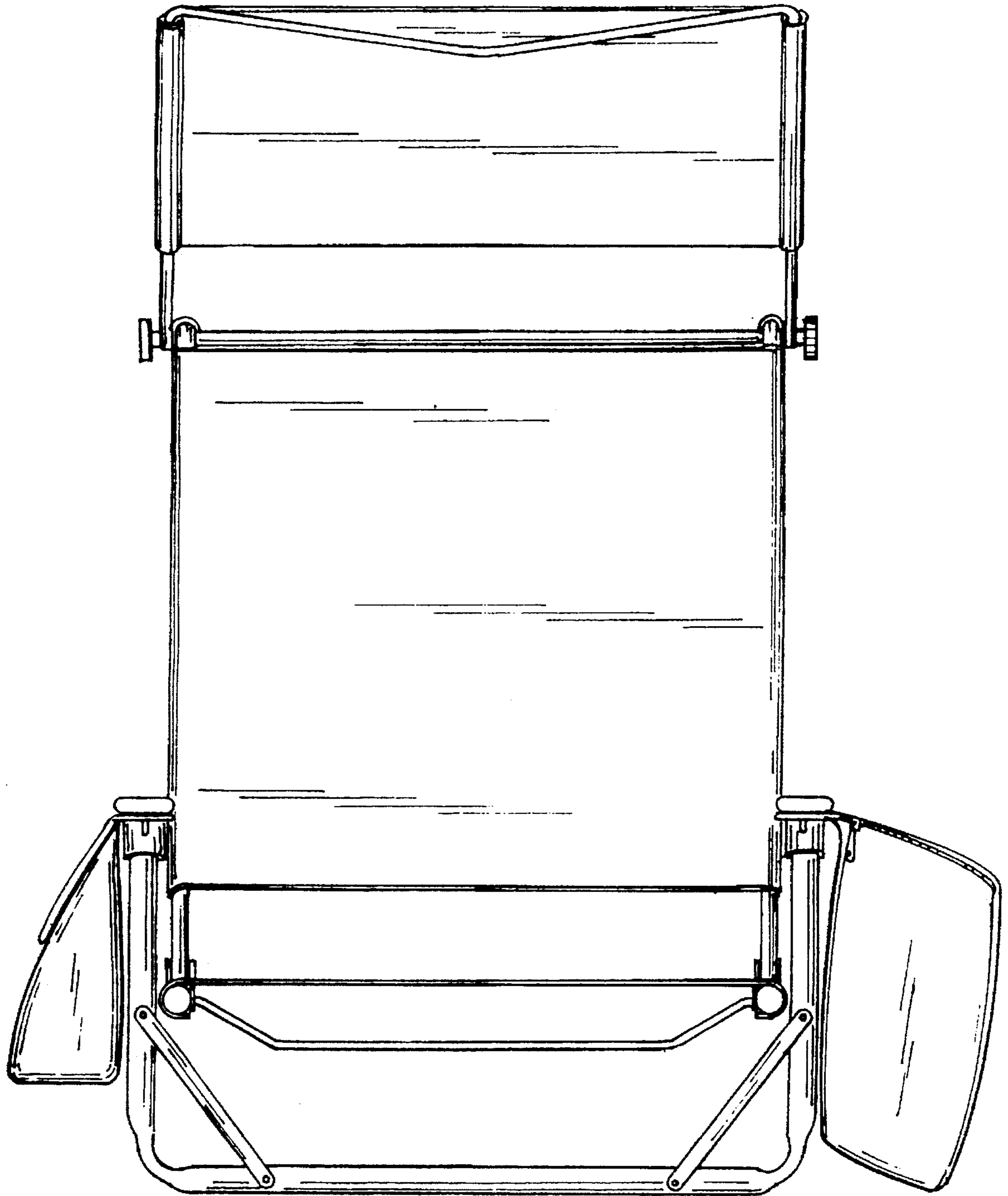


FIG. 1

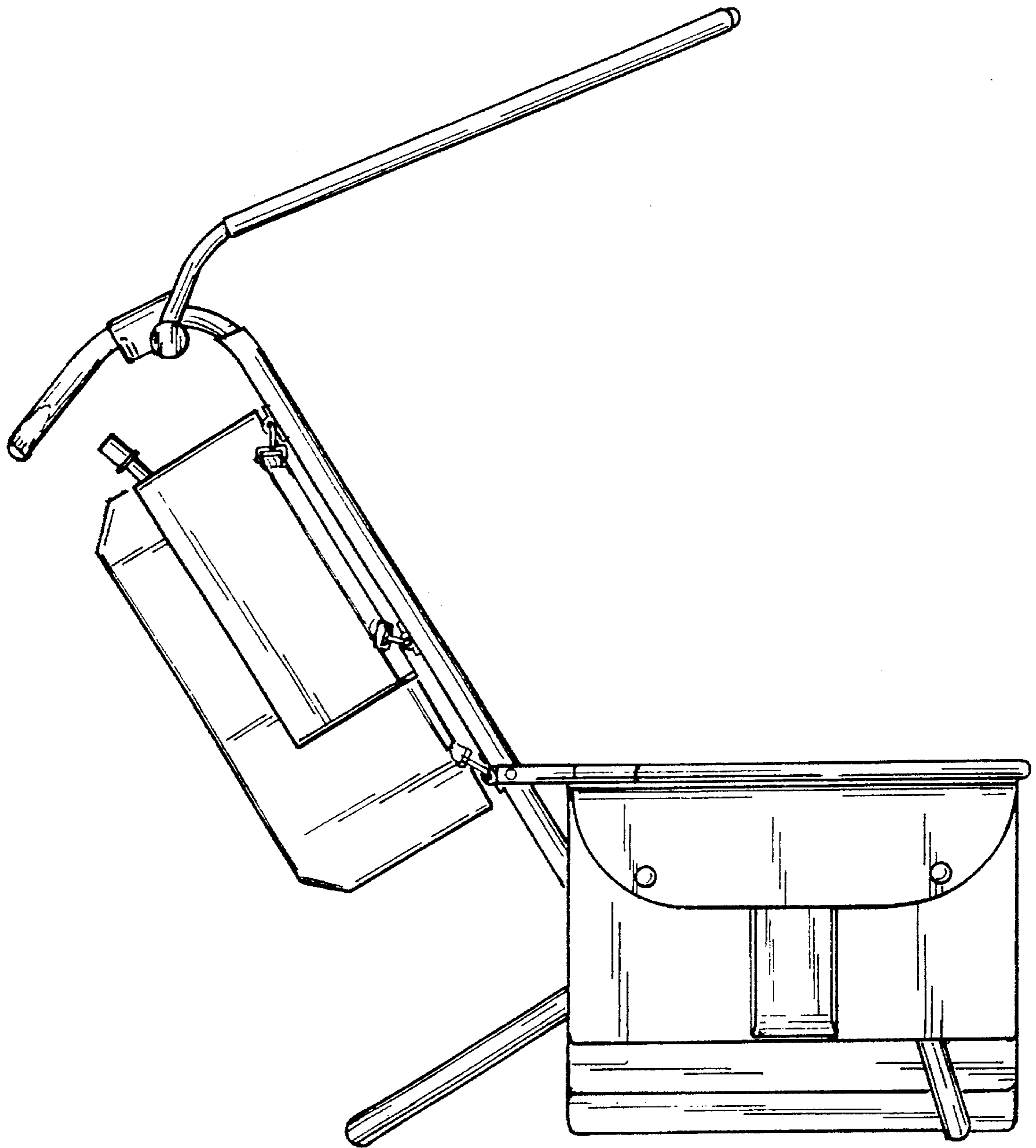


FIG. 2

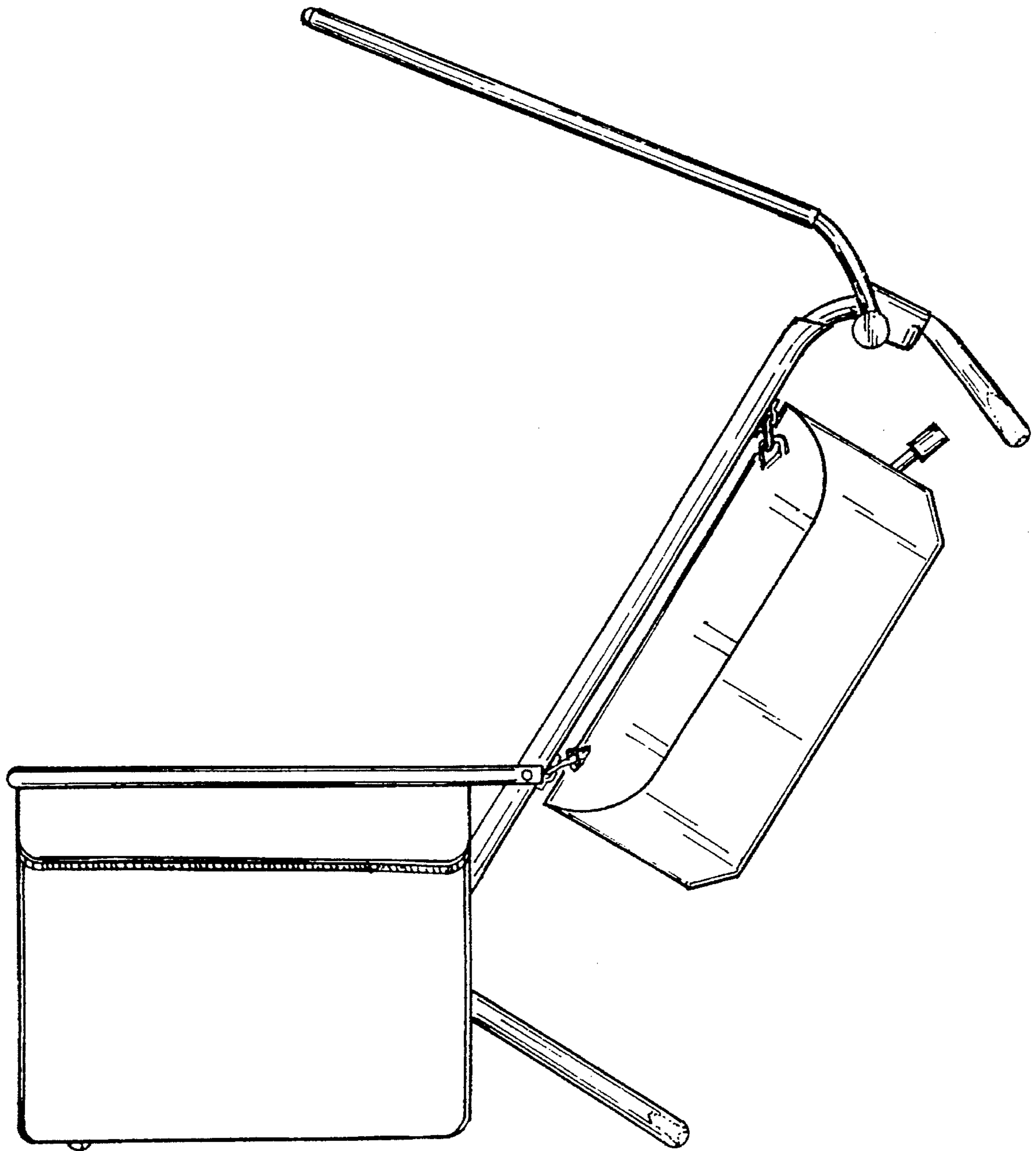


FIG. 3

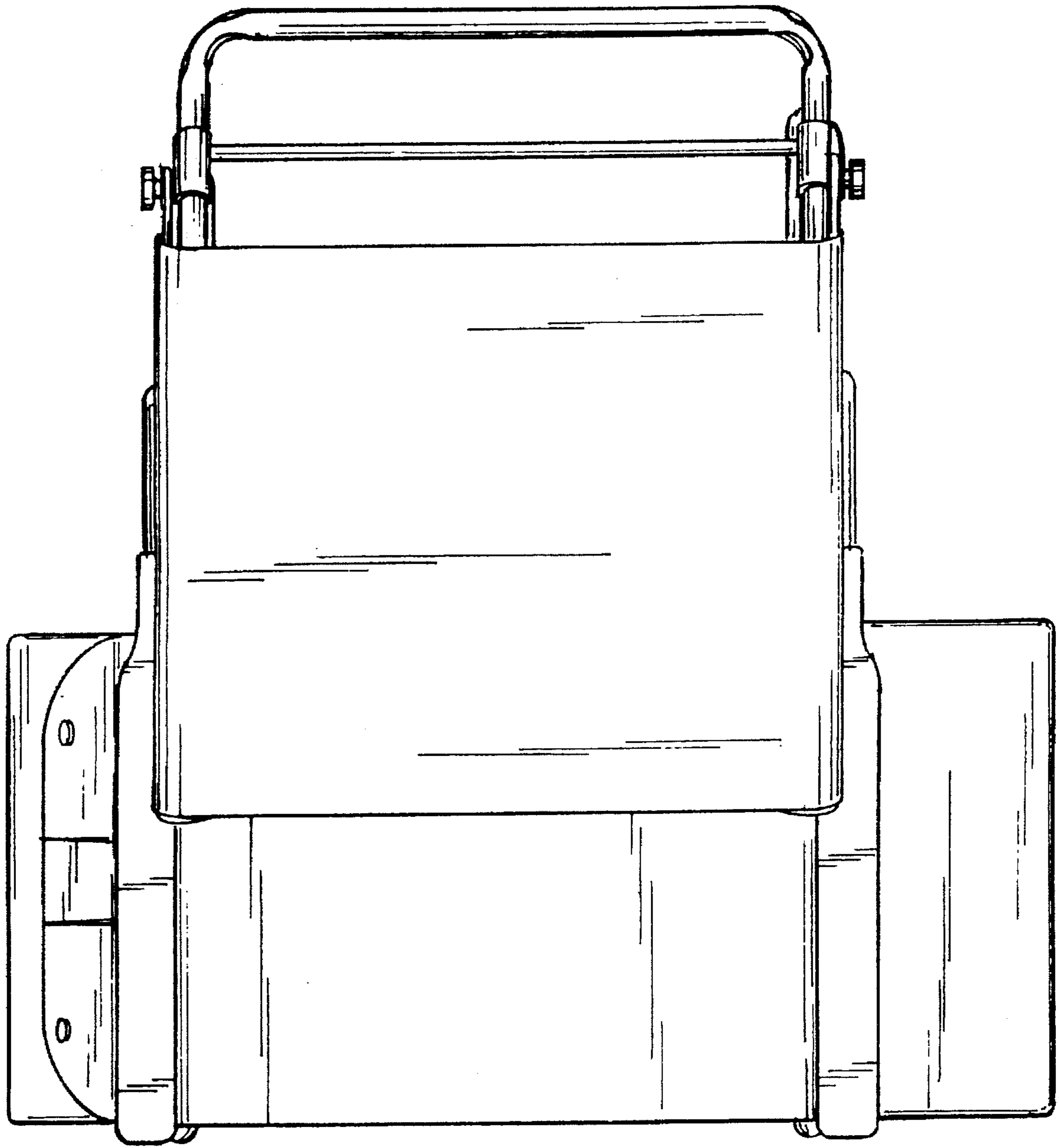


FIG. 4

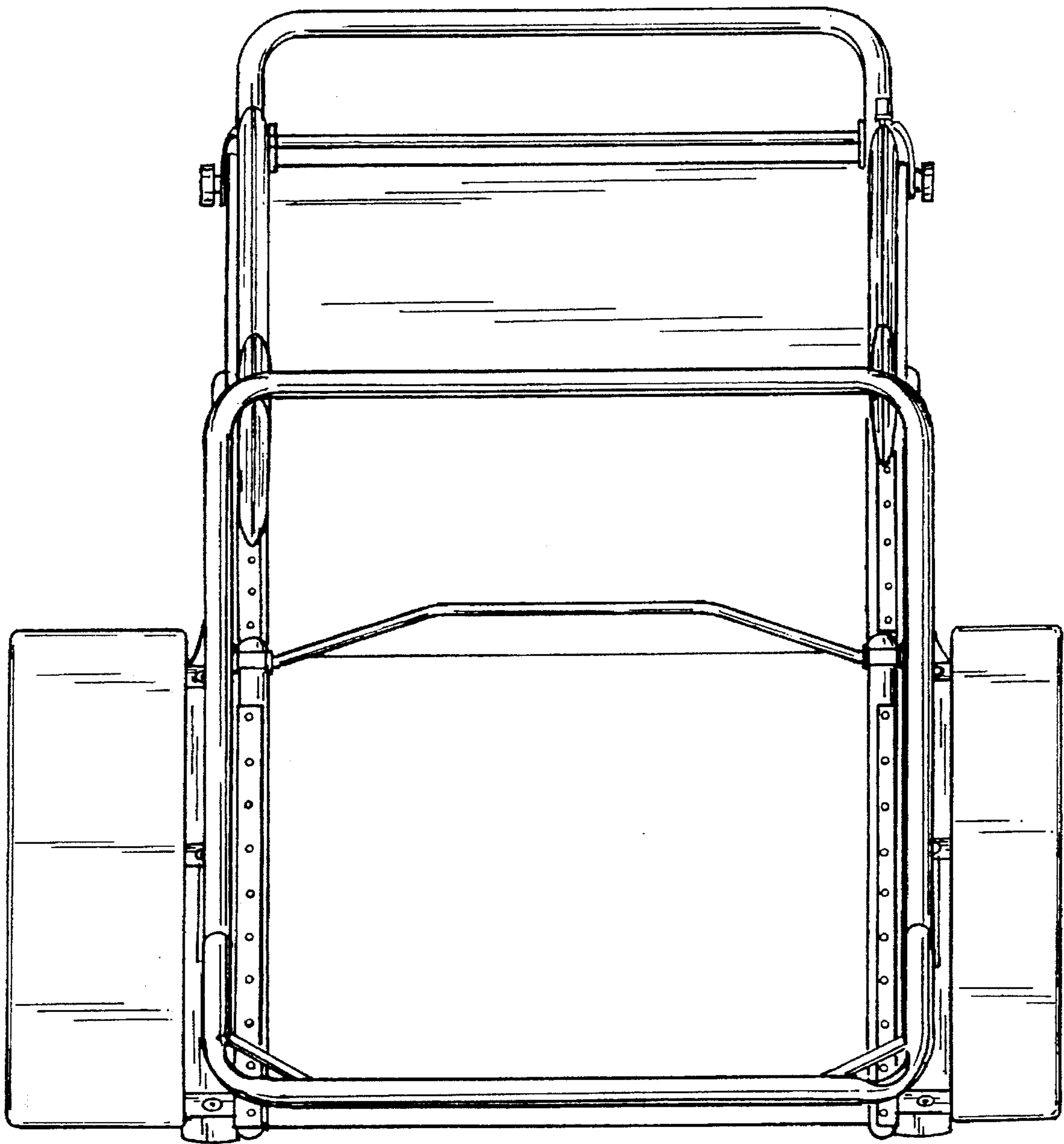


FIG. 5

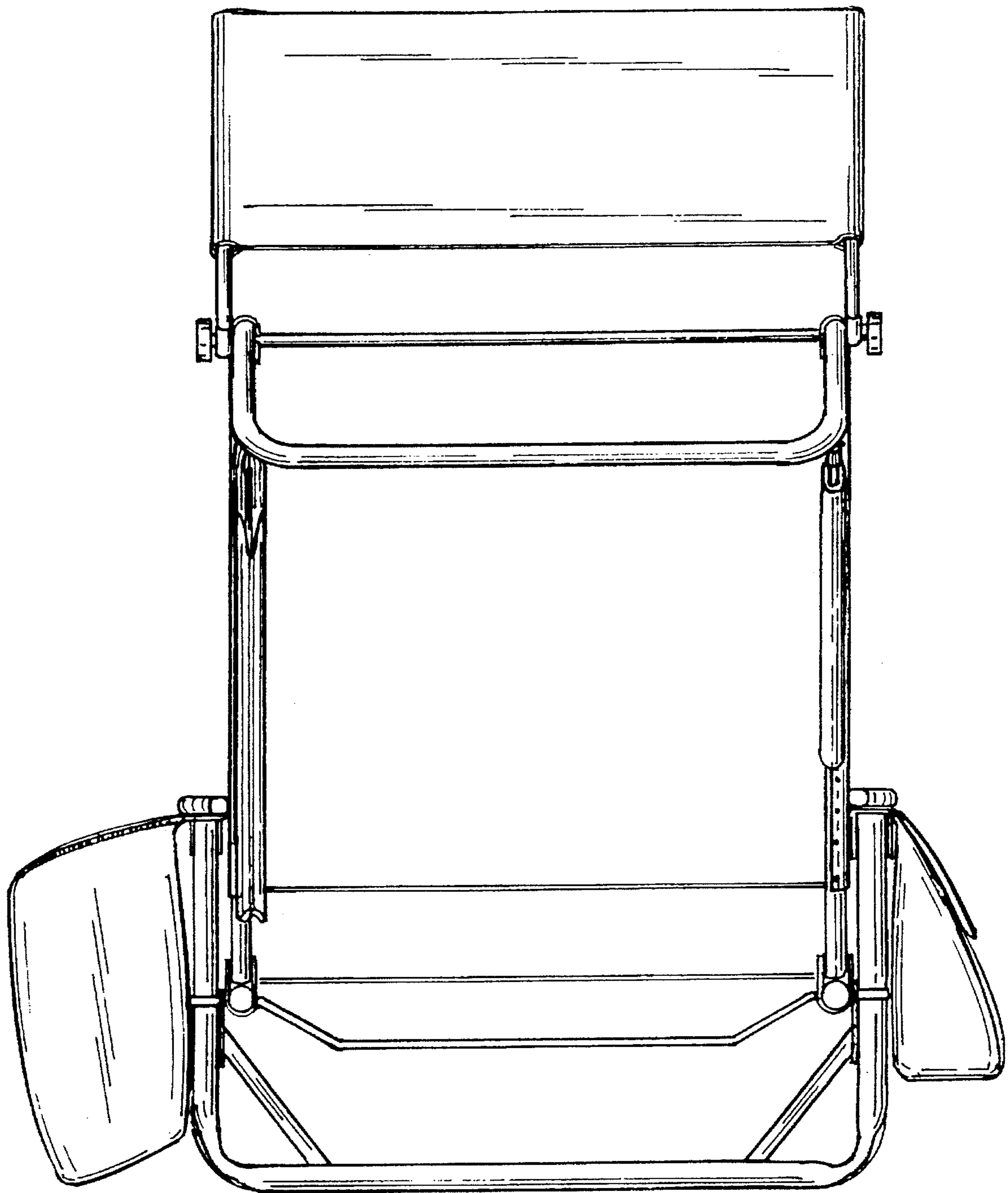


FIG. 6

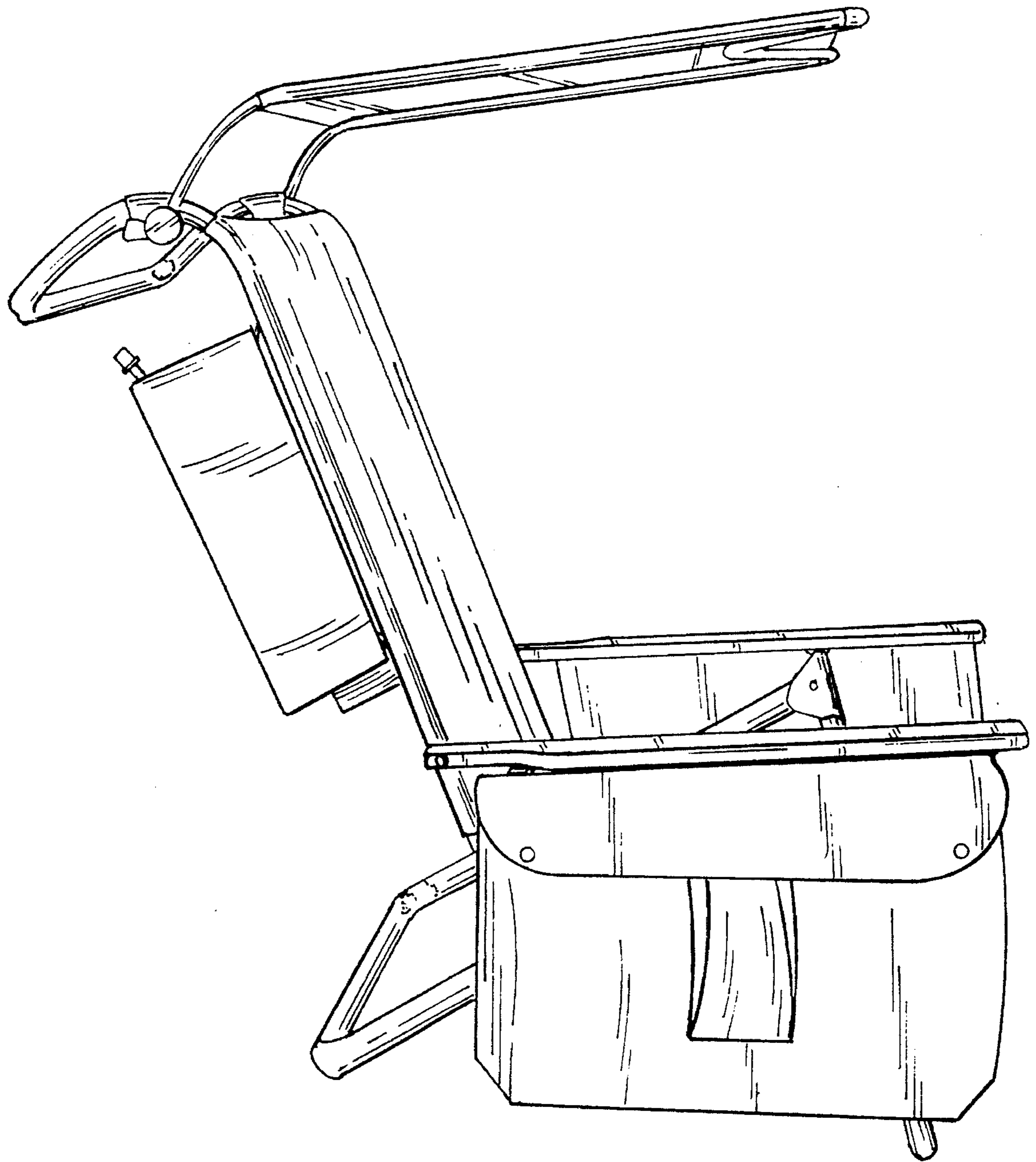


FIG. 7