



US00D365448S

# United States Patent [19]

Travis et al.

[11] Patent Number: **Des. 365,448**

[45] Date of Patent: **\*\*Dec. 26, 1995**

[54] **HANGER**

4,366,909 1/1983 Fahmi .

5,040,707 8/1991 Ayano et al. .... 223/88

[76] Inventors: **Ronald A. Travis; Lorrie F. Travis,**  
both of 3664 Wilson Way, Rock  
Springs, Wyo. 82901

*Primary Examiner*—B. J. Bullock

[\*\*] Term: **14 Years**

[57] **CLAIM**

The ornamental design for a hanger, as shown and described.

[21] Appl. No.: **31,145**

### DESCRIPTION

[22] Filed: **Nov. 18, 1994**

FIG. 1 is a front elevational view of the hanger showing our new design;

[52] U.S. Cl. .... **D6/319; D6/315**

FIG. 2 is a rear elevational view thereof;

[58] Field of Search ..... D6/315, 326, 318,

FIG. 3 is a left side elevational view thereof;

D6/319; 223/95, 96, 88, 91; 211/113

FIG. 4 is a right side elevational view thereof;

[56] **References Cited**

FIG. 5 is a top plan view thereof;

#### U.S. PATENT DOCUMENTS

FIG. 6 is a bottom plan view thereof;

D. 280,151	8/1985	Tooke .	
D. 305,484	1/1990	Fildan .	
783,175	2/1905	Cassidy .....	223/91
1,584,311	5/1926	McKenna .....	223/88
3,115,286	12/1963	Bassin .....	223/88
3,412,911	11/1968	Eshelman .....	223/95
3,435,999	4/1969	Mantell .	
4,058,222	11/1977	Singer .	
4,063,670	12/1977	Faarbech .	

FIG. 7 is a perspective view thereof in a first position of use; and,

FIG. 8 is a perspective view thereof in a second position of use.

In FIGS. 7 and 8, the broken line showing of an article of clothing is for illustrative purposes only and forms no part of the claimed design;

**1 Claim, 4 Drawing Sheets**

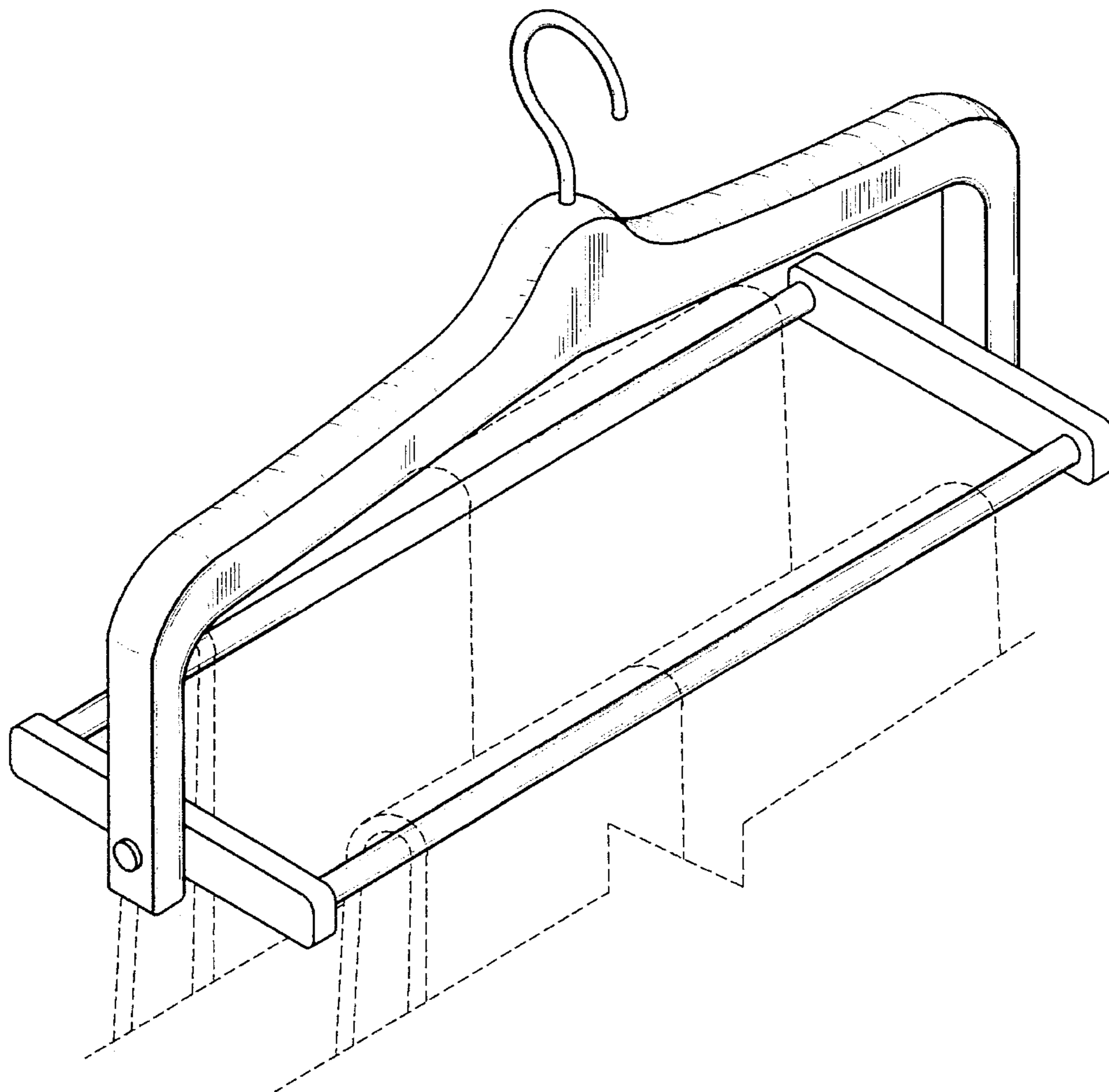


FIG. 1

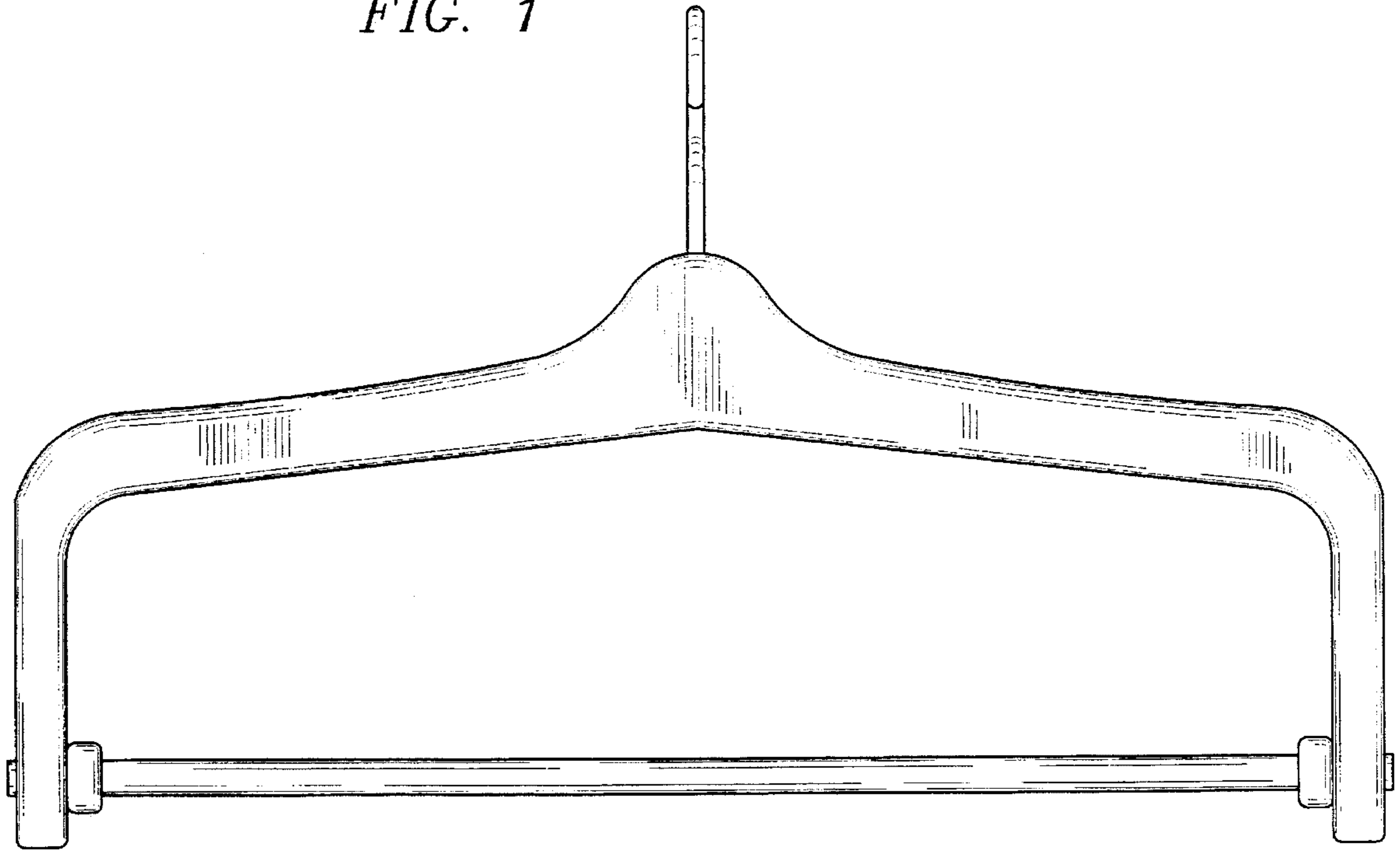


FIG. 2

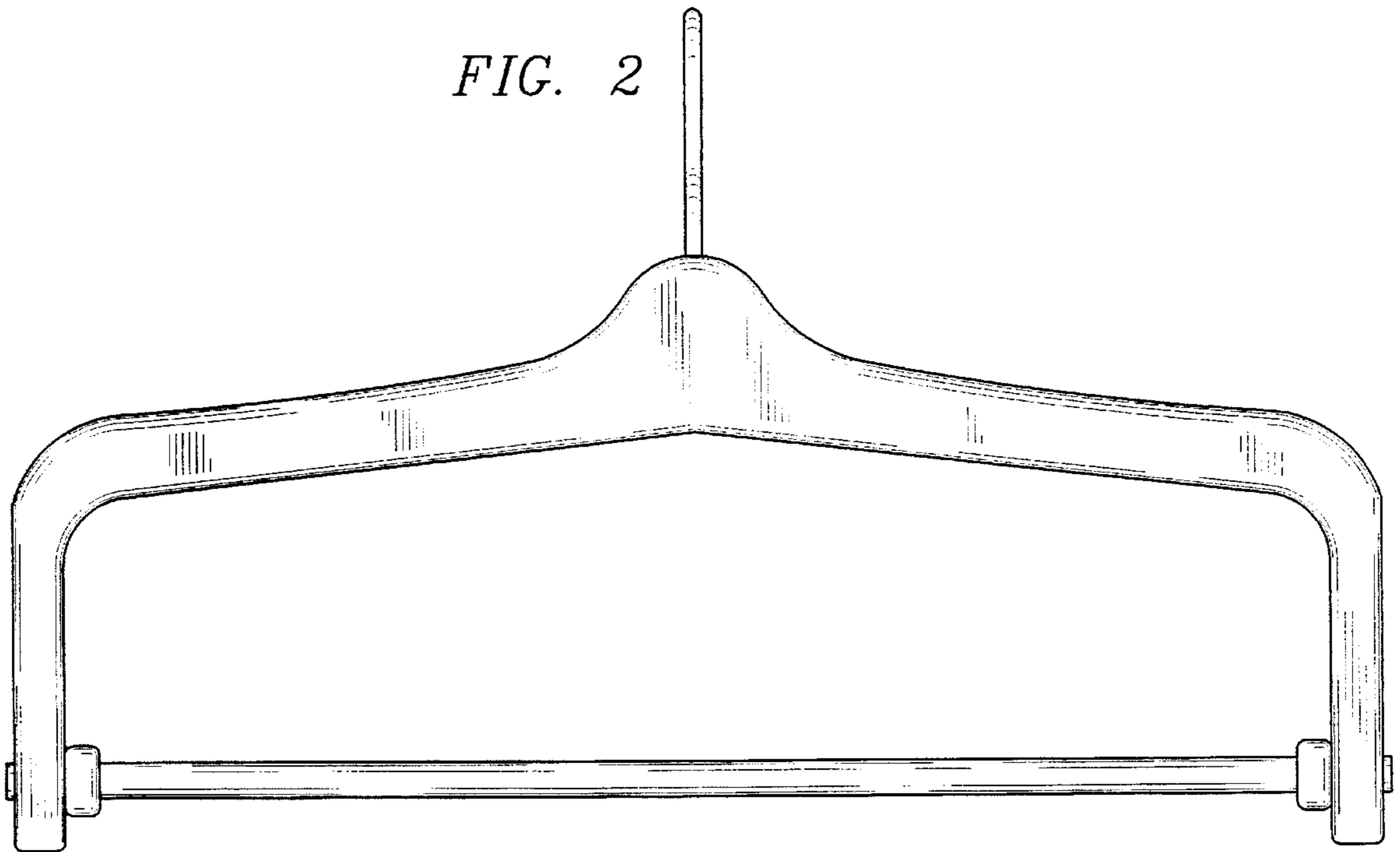


FIG. 3

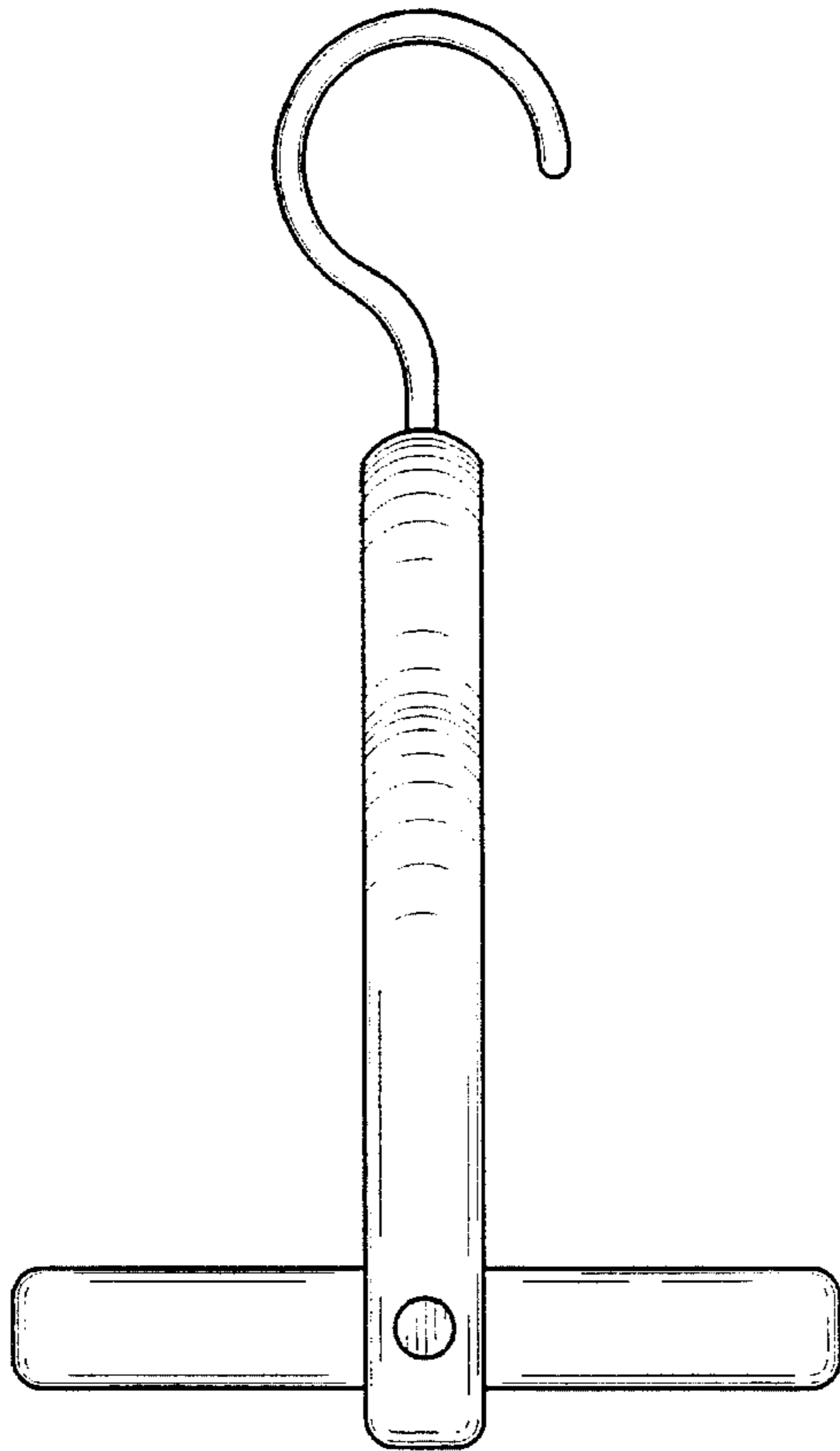


FIG. 4

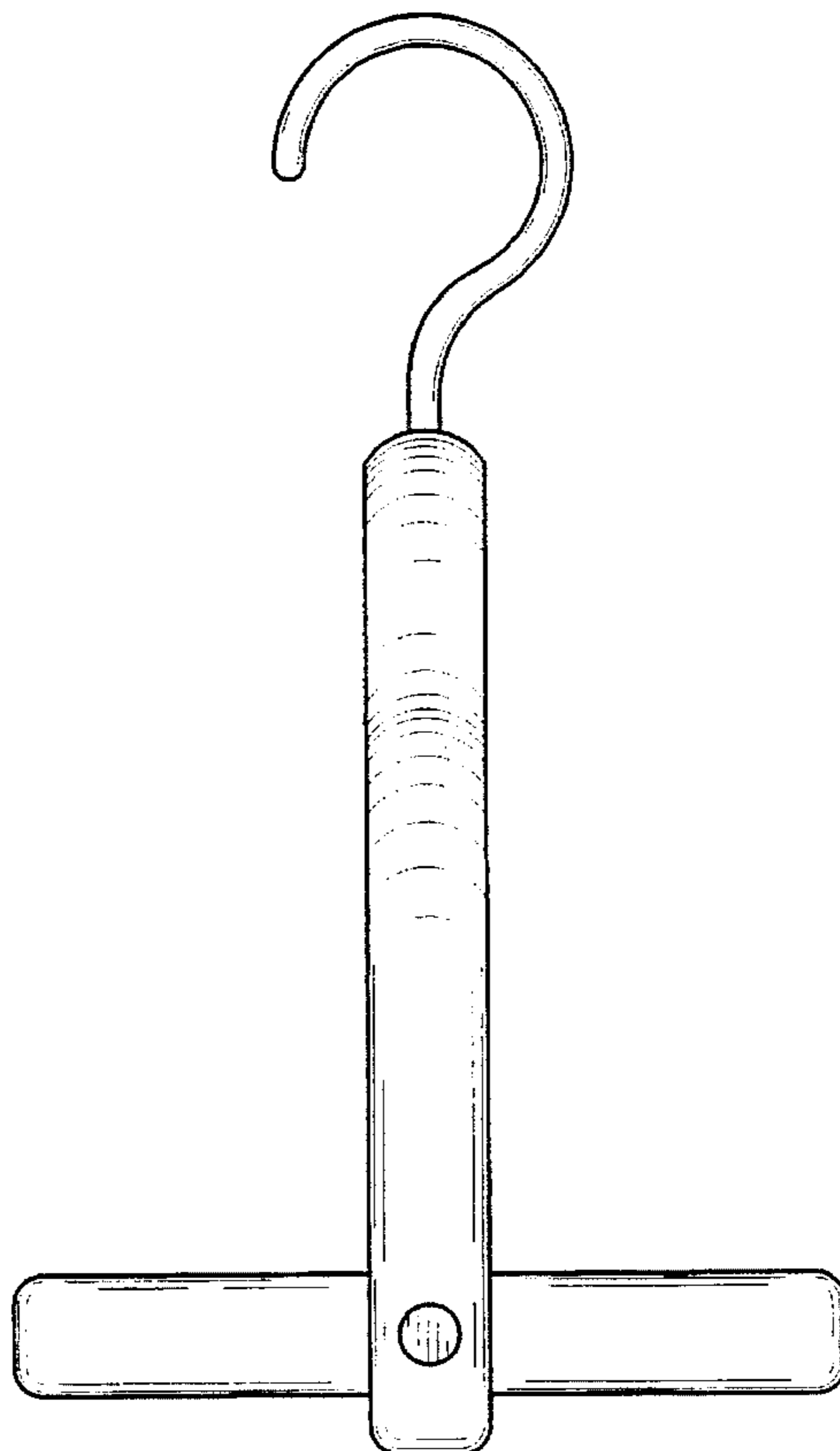


FIG. 5

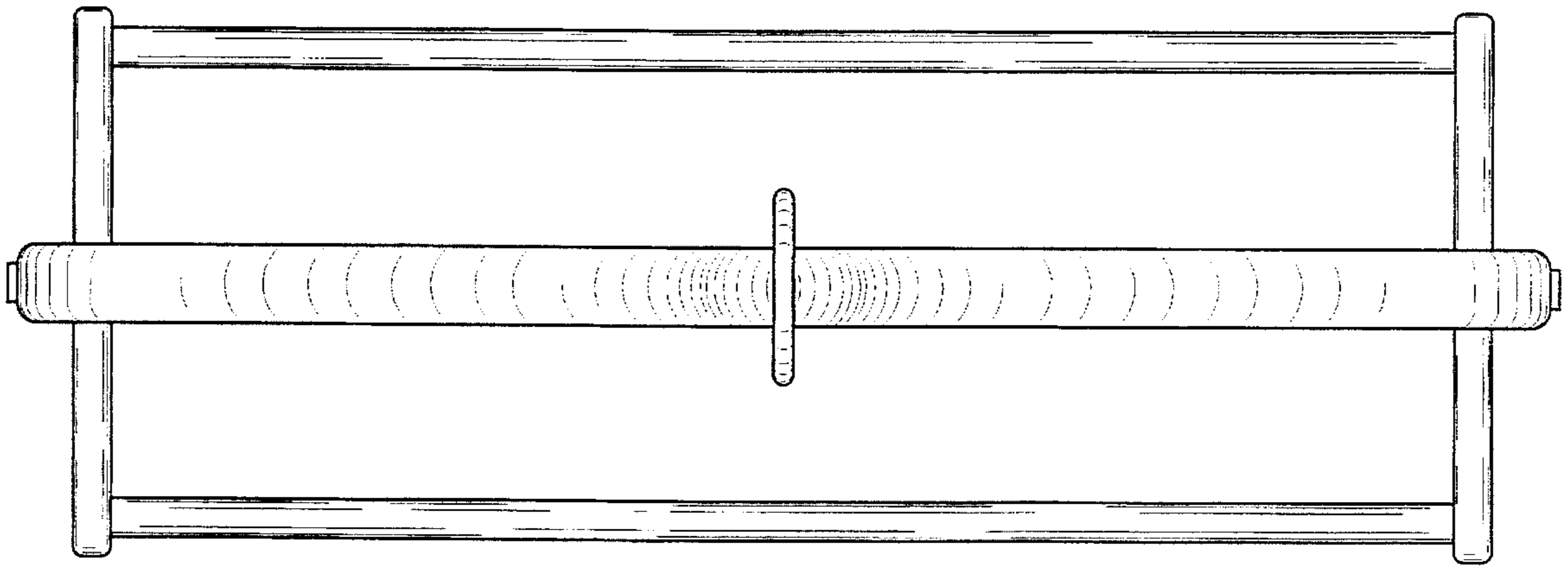


FIG. 6

