



US00D365443S

United States Patent [19]

Wu

[11] Patent Number: **Des. 365,443**

[45] Date of Patent: ****Dec. 26, 1995**

[54] **FOOTBALL BAG**

D. 346,273 4/1994 Lucas D3/234 X
5,238,162 8/1993 LaCivita 224/250

[76] Inventor: **Mei L. Wu**, 12615 Park St., Cerritos, Calif. 90701

[**] Term: **14 Years**

Primary Examiner—Louis S. Zarfes
Assistant Examiner—Catherine R. Oliver
Attorney, Agent, or Firm—Harpman & Harpman

[21] Appl. No.: **21,596**

[57] **CLAIM**

[22] Filed: **Apr. 19, 1994**

The ornamental design for a football bag, as shown and described.

[52] U.S. Cl. **D3/226; D3/238; D3/270**

[58] Field of Search D3/226, 217, 270, D3/257, 234, 238, 271; D21/62; 224/252, 253, 919, 264, 258, 250, 257, 918, 901, 235, 219, 202, 207; 273/58 C; 383/907

DESCRIPTION

FIG. 1 is a top plan view of the football bag;
FIG. 2 is an side view thereof;
FIG. 3 is an opposite side view thereof;
FIG. 4 is a bottom plan view;
FIG. 5 is an end view thereof; and,
FIG. 6 is an opposite end view thereof.

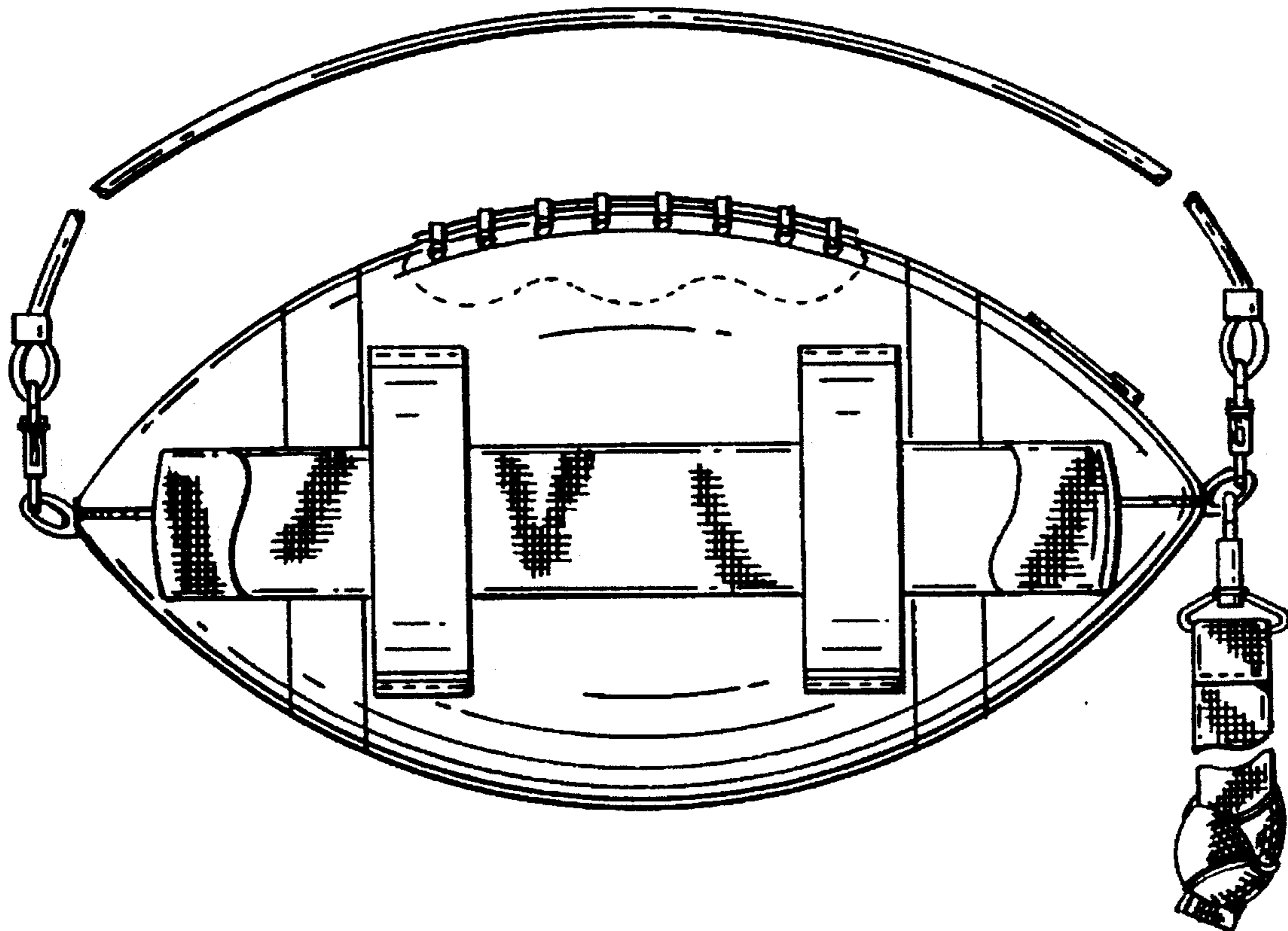
The straps are shown broken away to indicate variable length.

[56] References Cited

U.S. PATENT DOCUMENTS

D. 246,873 1/1978 Kling D3/238
D. 248,189 6/1978 Loomis D3/271
D. 318,567 7/1991 Smith D3/238
D. 335,956 6/1993 Lucas D3/238
D. 339,915 10/1993 Lucas D3/234 X

1 Claim, 2 Drawing Sheets



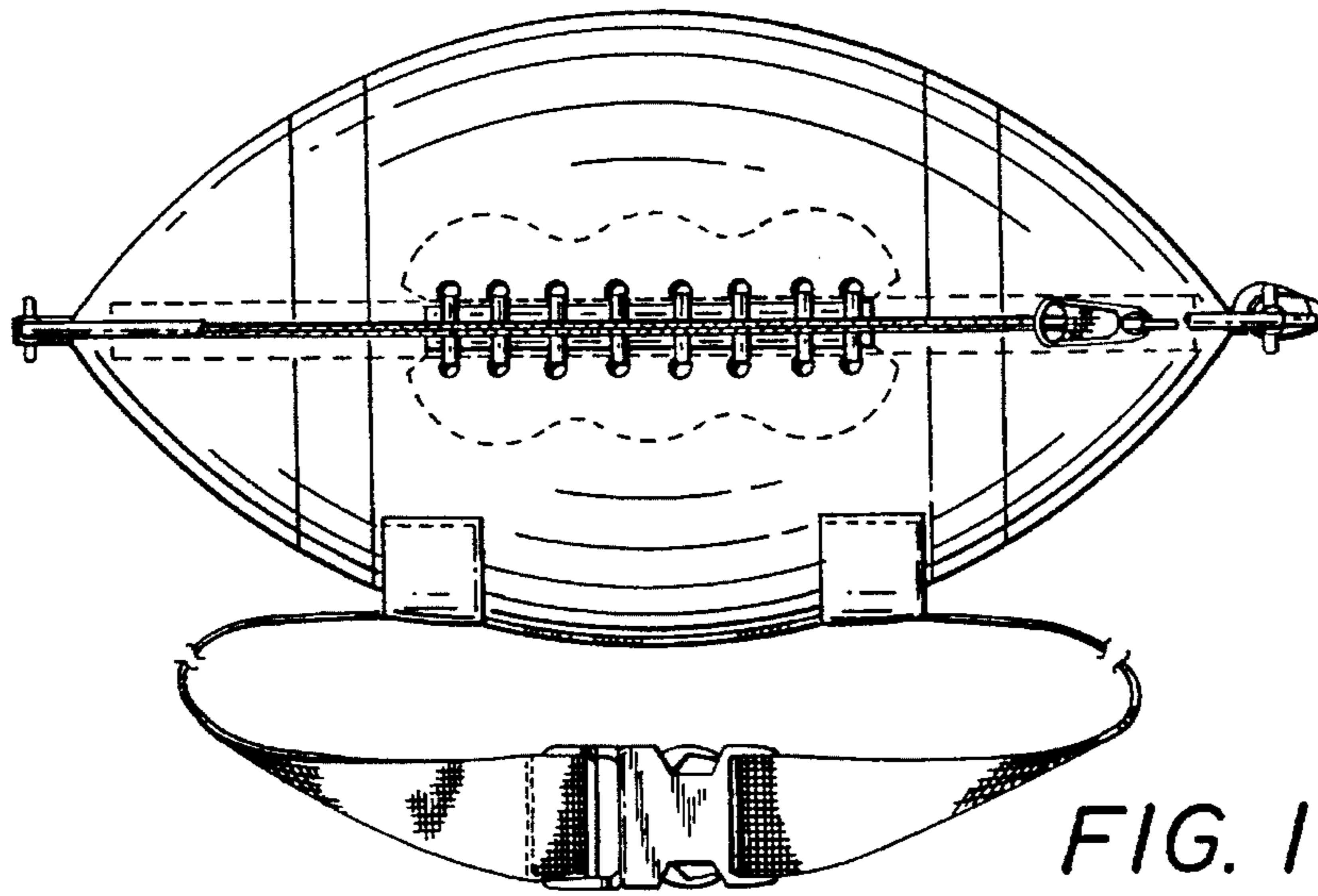


FIG. 1

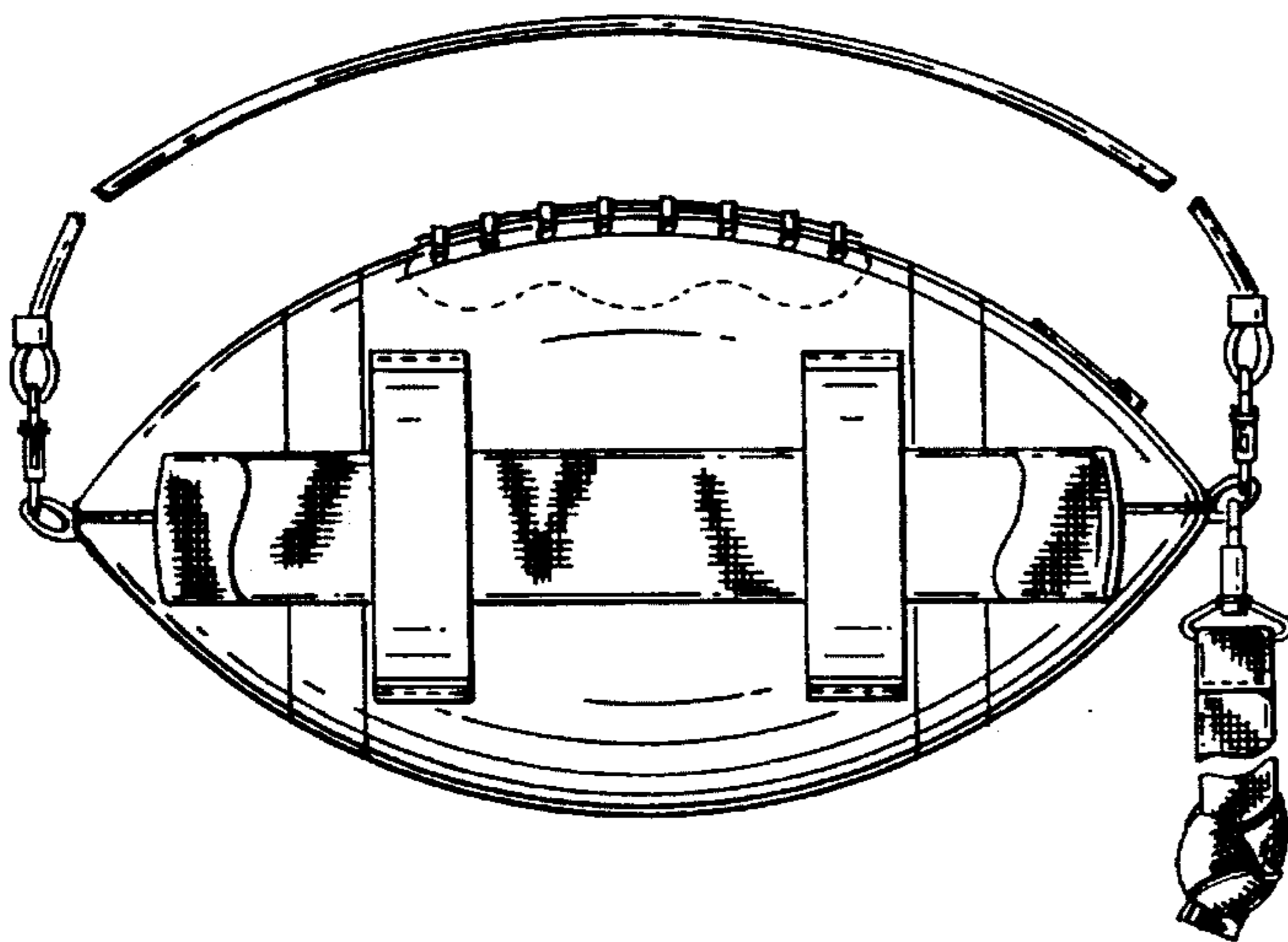
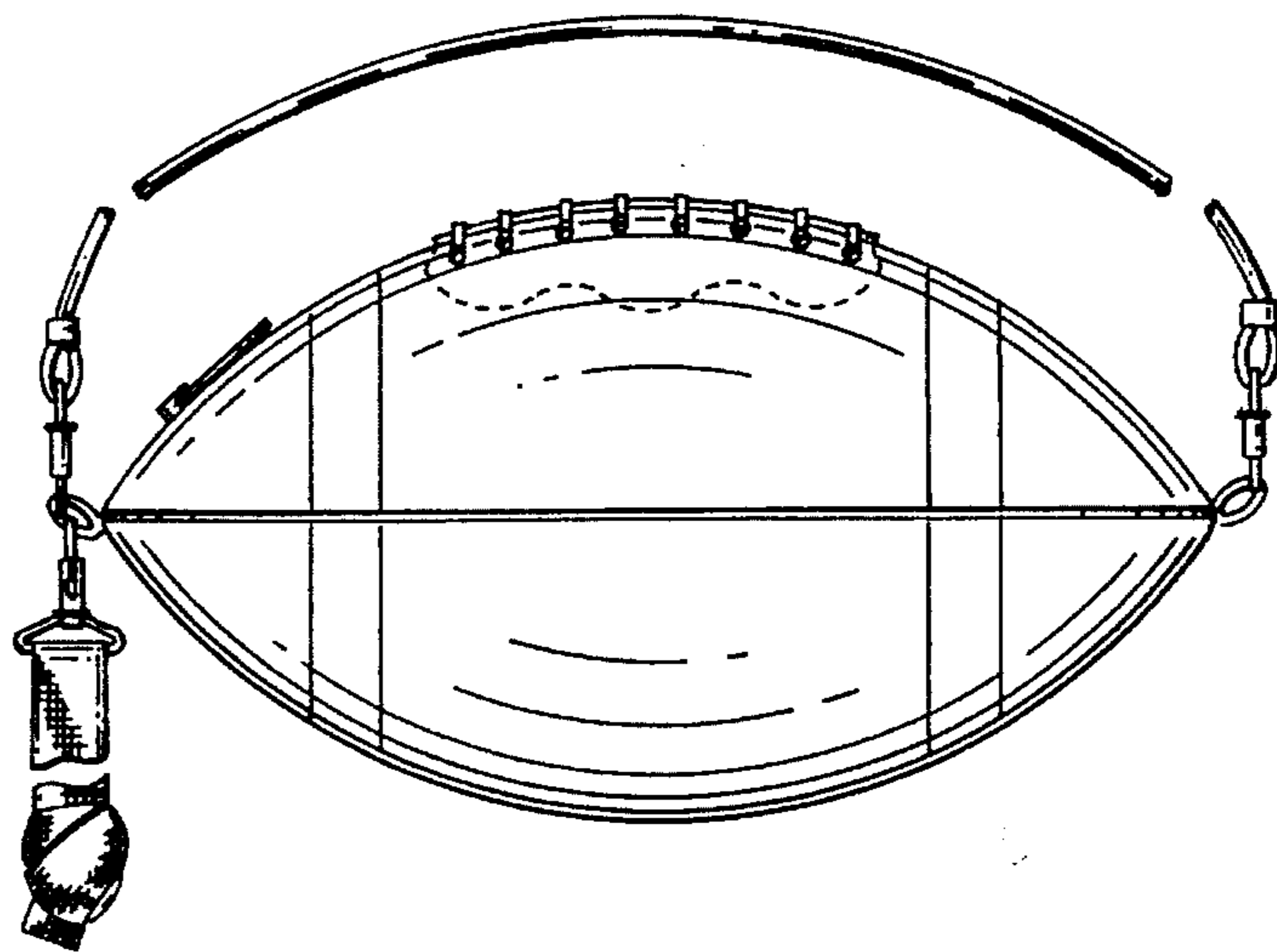


FIG. 2

FIG. 3



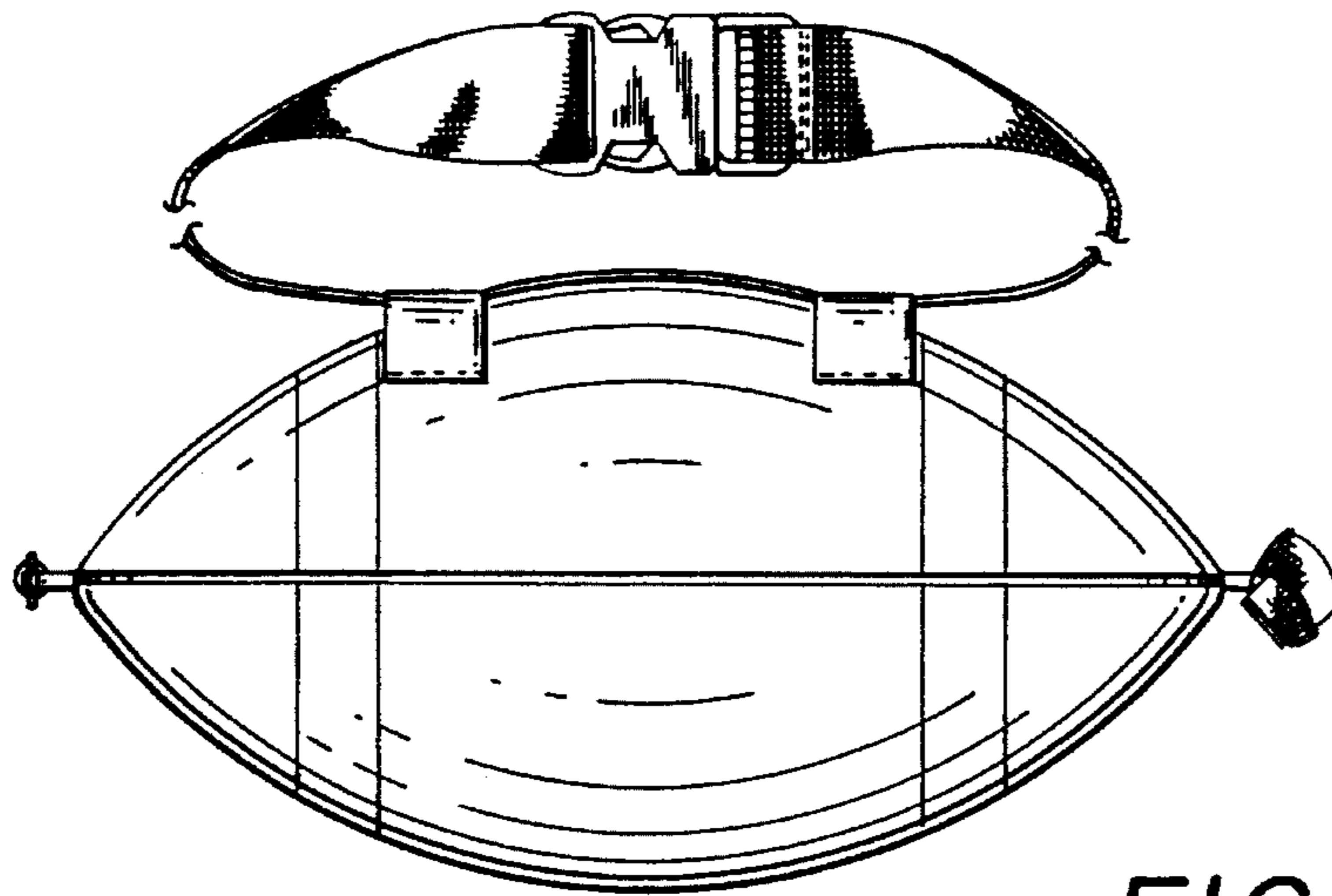


FIG. 4

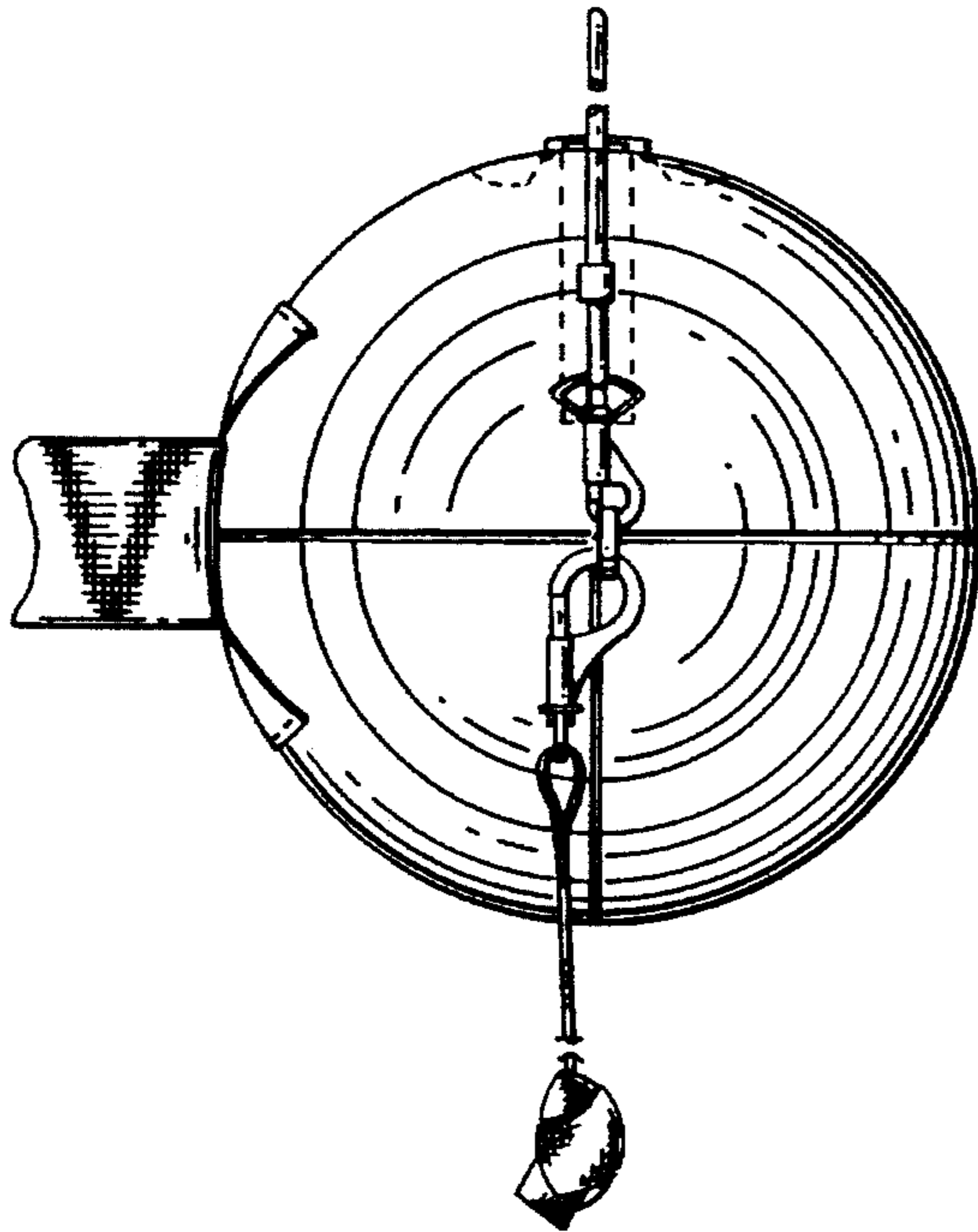


FIG. 5

FIG. 6

