



US00D365437S

United States Patent [19]

[11] Patent Number: **Des. 365,437**

Schaper et al.

[45] Date of Patent: ****Dec. 26, 1995**

[54] **CUFF FOR IN-LINE SKATES**

[75] Inventors: **Richard Schaper**, Maple Grove; **Dan M. Sutherland**, Arden Hills; **Erik Mueller**; **Philip Dretzka**, both of Minneapolis, all of Minn.

[73] Assignee: **First Team Sports, Inc.**, Mounds View, Minn.

[**] Term: **14 Years**

[21] Appl. No.: **17,371**

[22] Filed: **Jan. 12, 1994**

[52] U.S. Cl. **D2/946**

[58] Field of Search D2/904, 946, 972; D21/226; 36/115, 117, 119, 121, 122; 280/11.22, 841

[56] **References Cited**

U.S. PATENT DOCUMENTS

327,360	6/1992	Graham	D2/276
327,565	7/1992	Graham	D2/275
4,282,660	8/1987	Hanson	36/121
4,367,885	1/1983	Romer	36/121 X
4,408,403	10/1983	Martin	36/115
4,771,555	9/1988	Ohashi	36/3
4,888,889	12/1989	Sartor	36/121 X
5,036,605	8/1991	Marega	36/121
5,048,848	9/1991	Olson et al.	280/11.22
5,092,614	3/1992	Malewicz	280/11.22
5,171,033	12/1992	Olson et al.	280/11.22
5,329,707	7/1994	Chaisne et al.	36/121 X

OTHER PUBLICATIONS

Rollerblade Handbook, 1991.
Rollerblade Cat. Supp., Fall 1991.
Rollerblade Cat. Supp., Spring 1991.

Rollerblade, Fall Handbook 1990.

Rollerblade Cat., 1988-1989.

Rollerblade Cat. Supp., Spring 1992.

Photograph attached (Exhibit 1) of an Ultra-Wheels® Zephyr Model Skate. The Zephyr skate was present in a show in Chicago, Ill. in Aug. 1992.

Primary Examiner—Stella Reid

Assistant Examiner—Eric M. Watterson

[57] **CLAIM**

The ornamental design for a cuff for in-line skates, as shown and described.

DESCRIPTION

FIG. 1 is a perspective view of a cuff for an in-line skate showing our new design;

FIG. 2 is a top plan view thereof;

FIG. 3 is a rear elevational view thereof;

FIG. 4 is a side elevational view thereof;

FIG. 5 is a side elevational view thereof opposite that shown in FIG. 4;

FIG. 6 is a front elevational view thereof;

FIG. 7 is a bottom plan view thereof;

FIG. 8 is a perspective view of an alternative embodiment of a cuff for an in-line skate shown in FIG. 1;

FIG. 9 is a top plan view thereof;

FIG. 10 is a rear elevational view thereof;

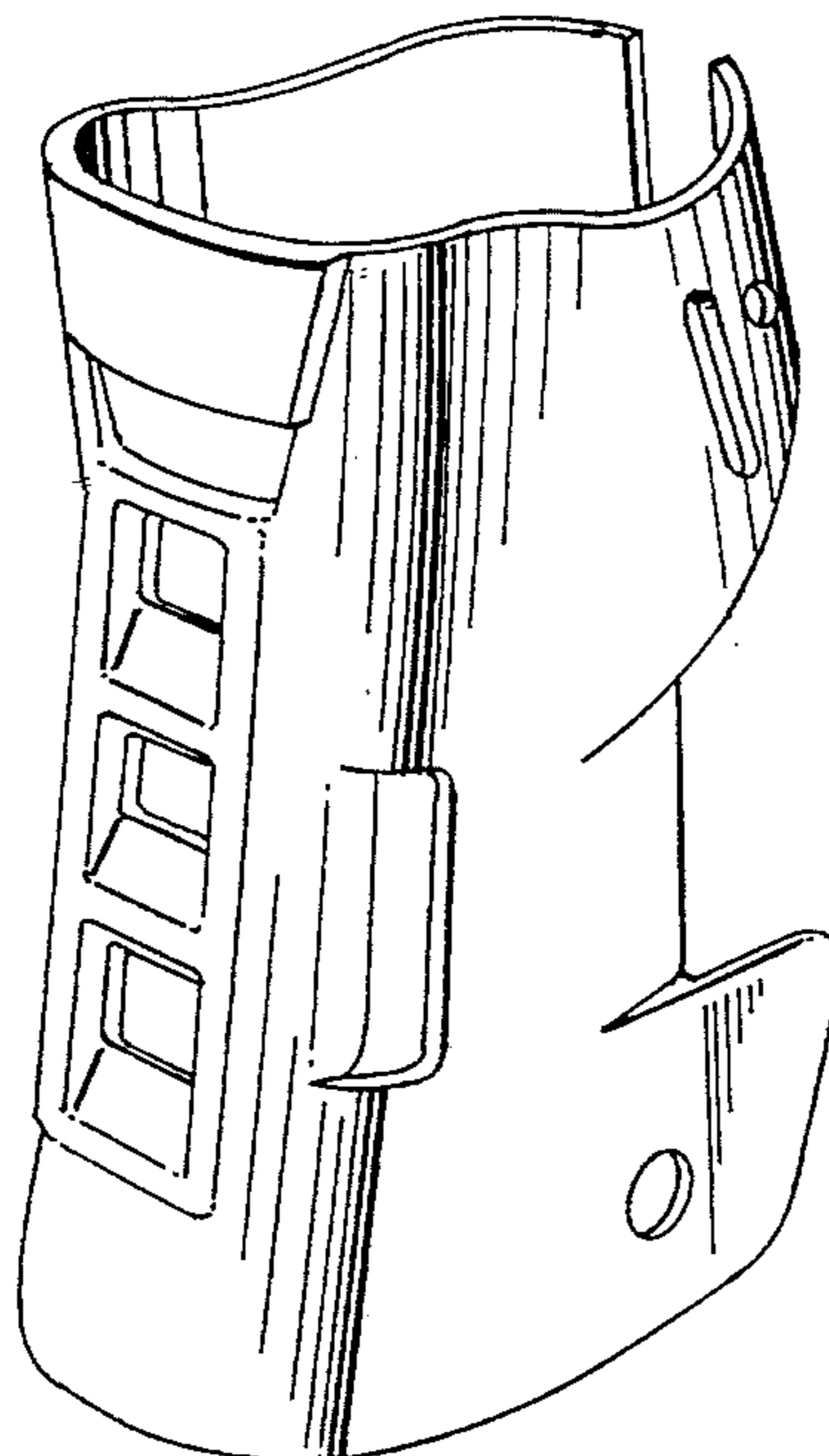
FIG. 11 is a side elevational view thereof;

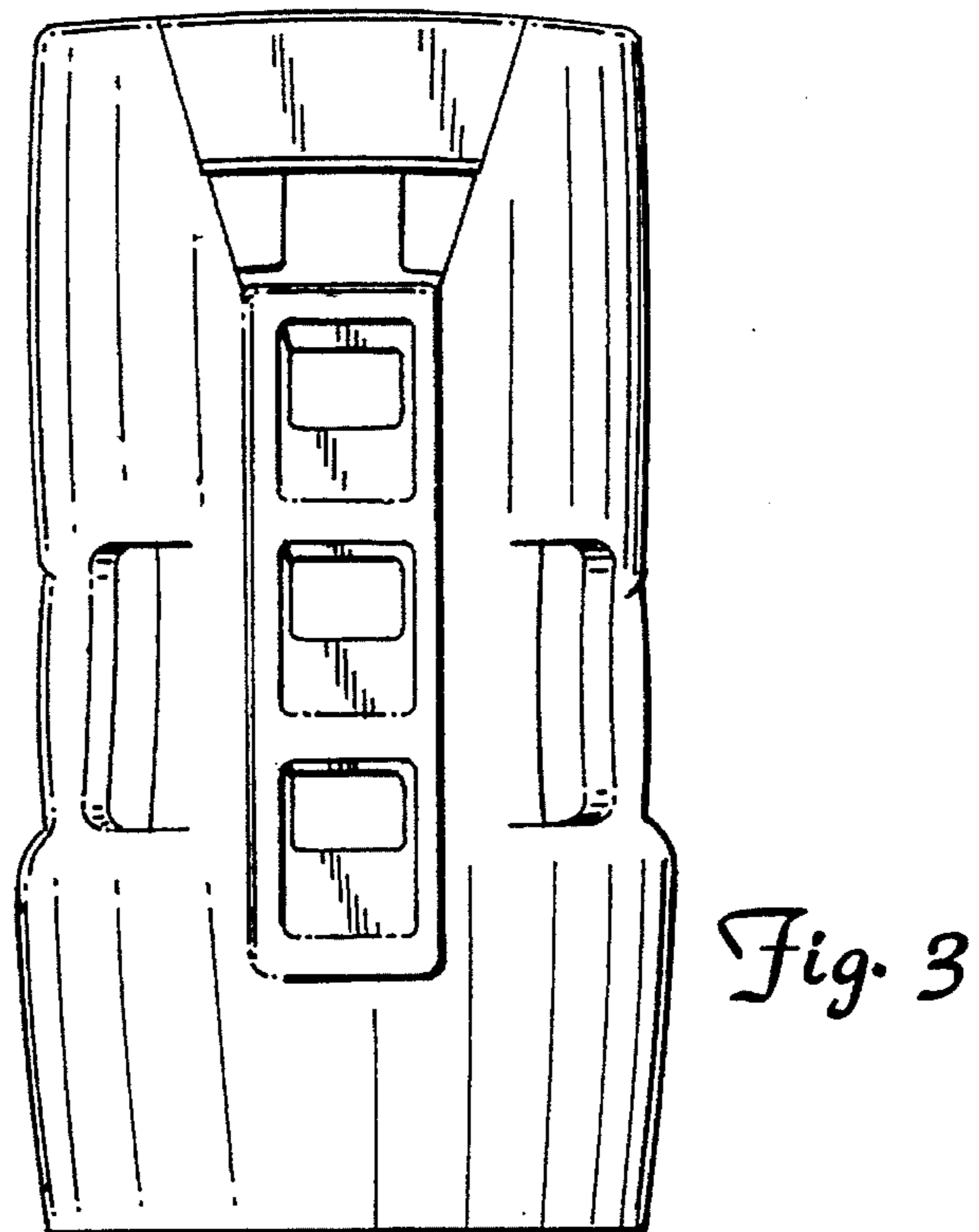
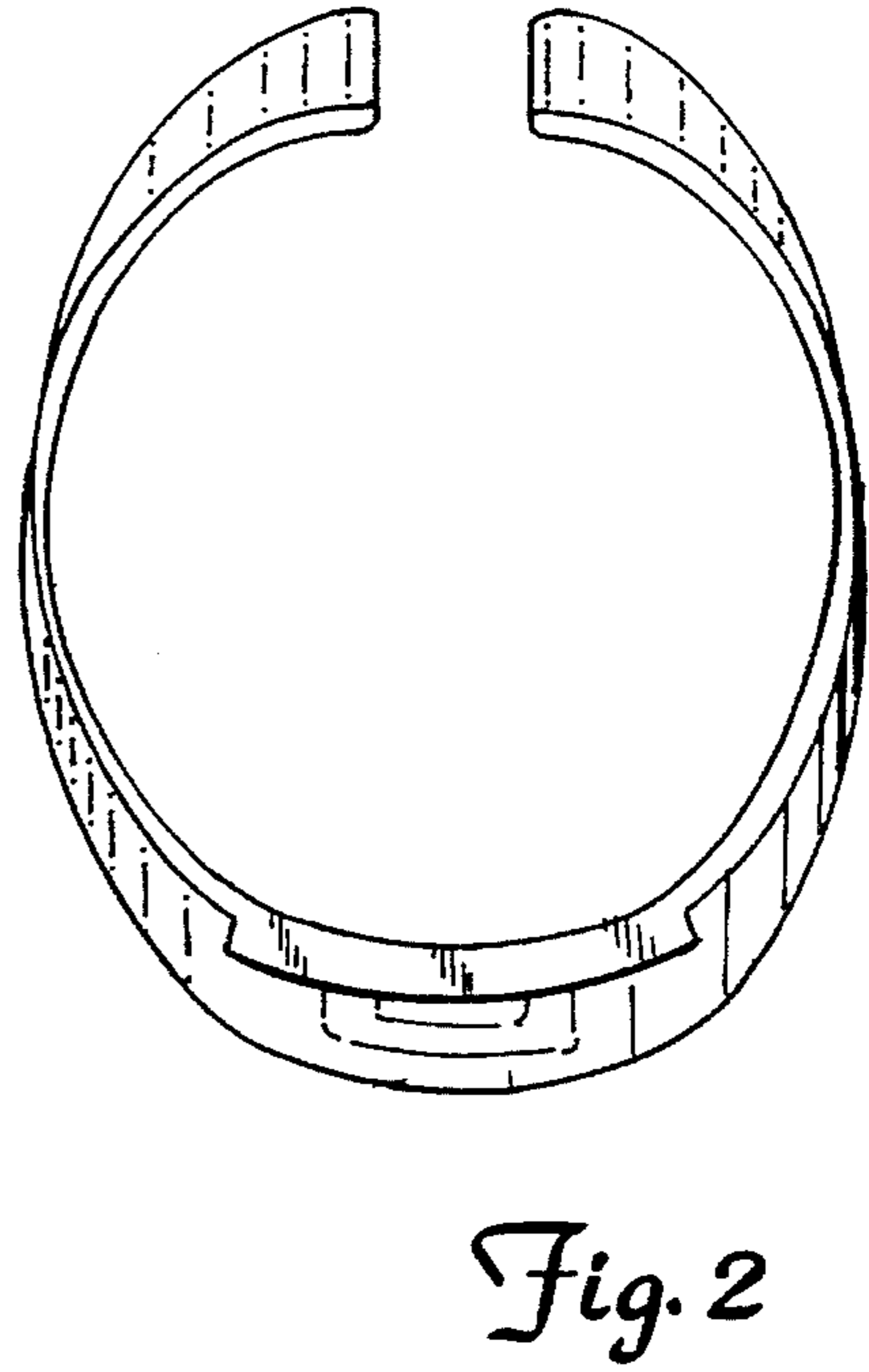
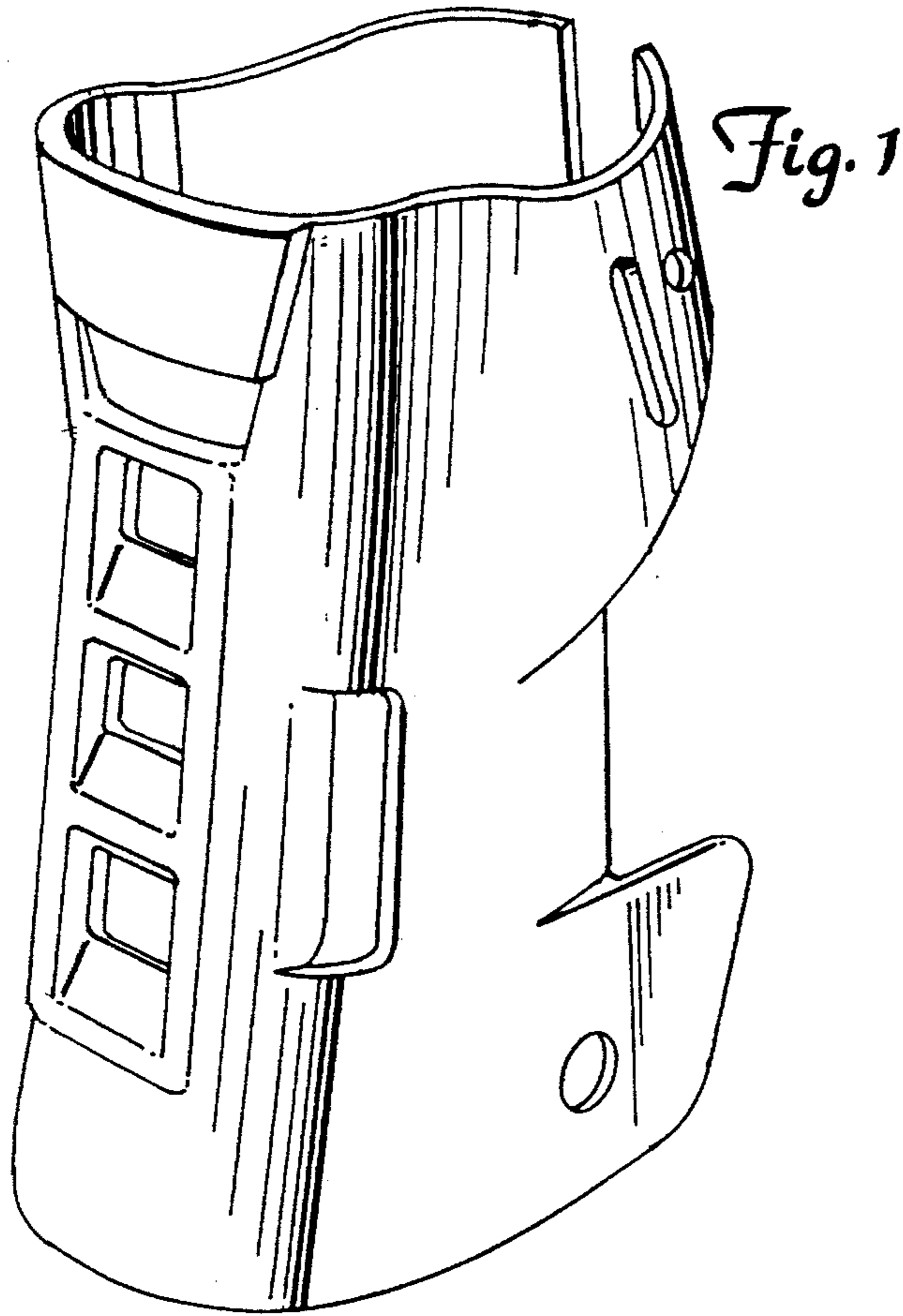
FIG. 12 is a side elevational view thereof opposite that shown in FIG. 11;

FIG. 13 is a front elevational view thereof; and,

FIG. 14 is a bottom plan view thereof.

1 Claim, 4 Drawing Sheets





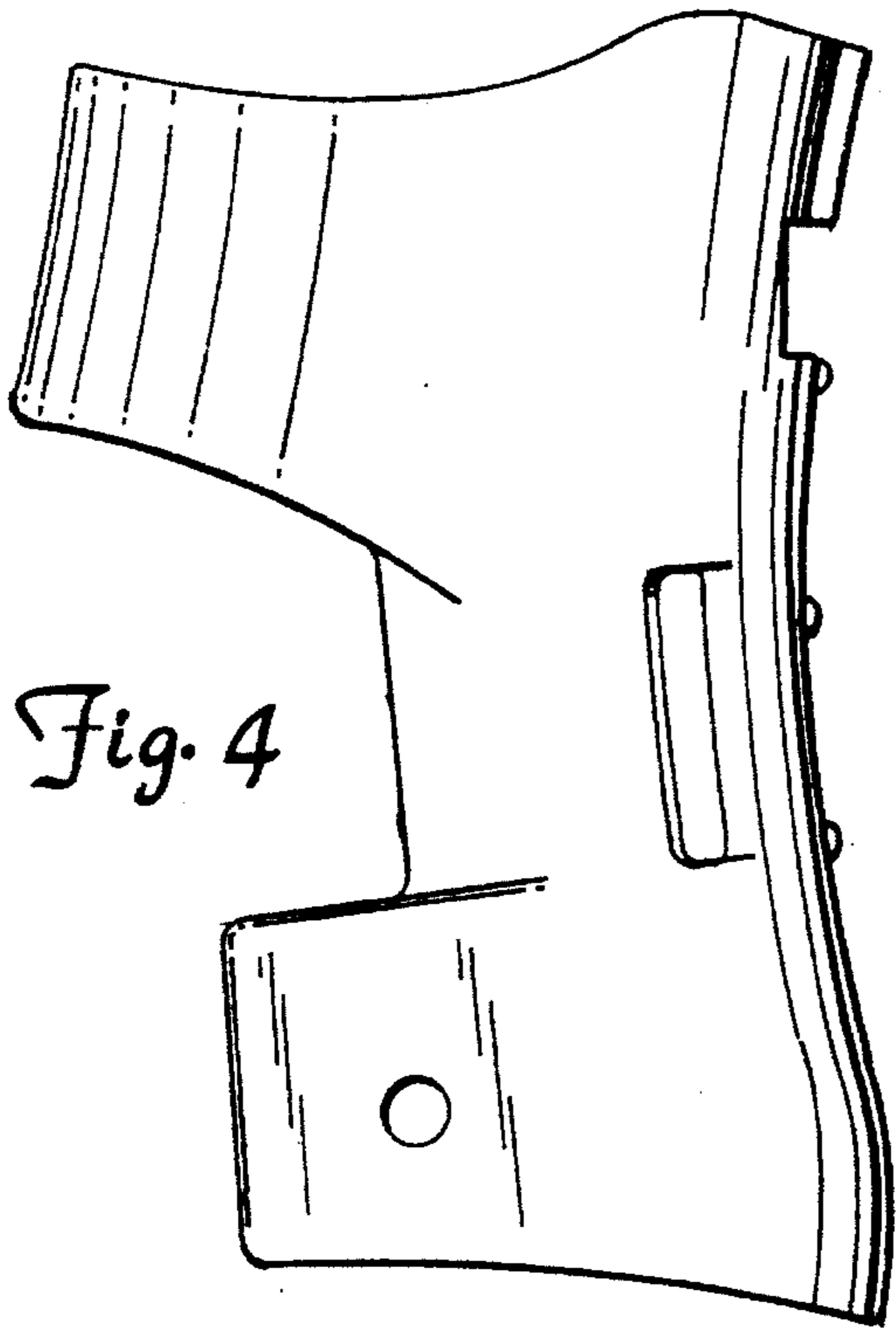


Fig. 4

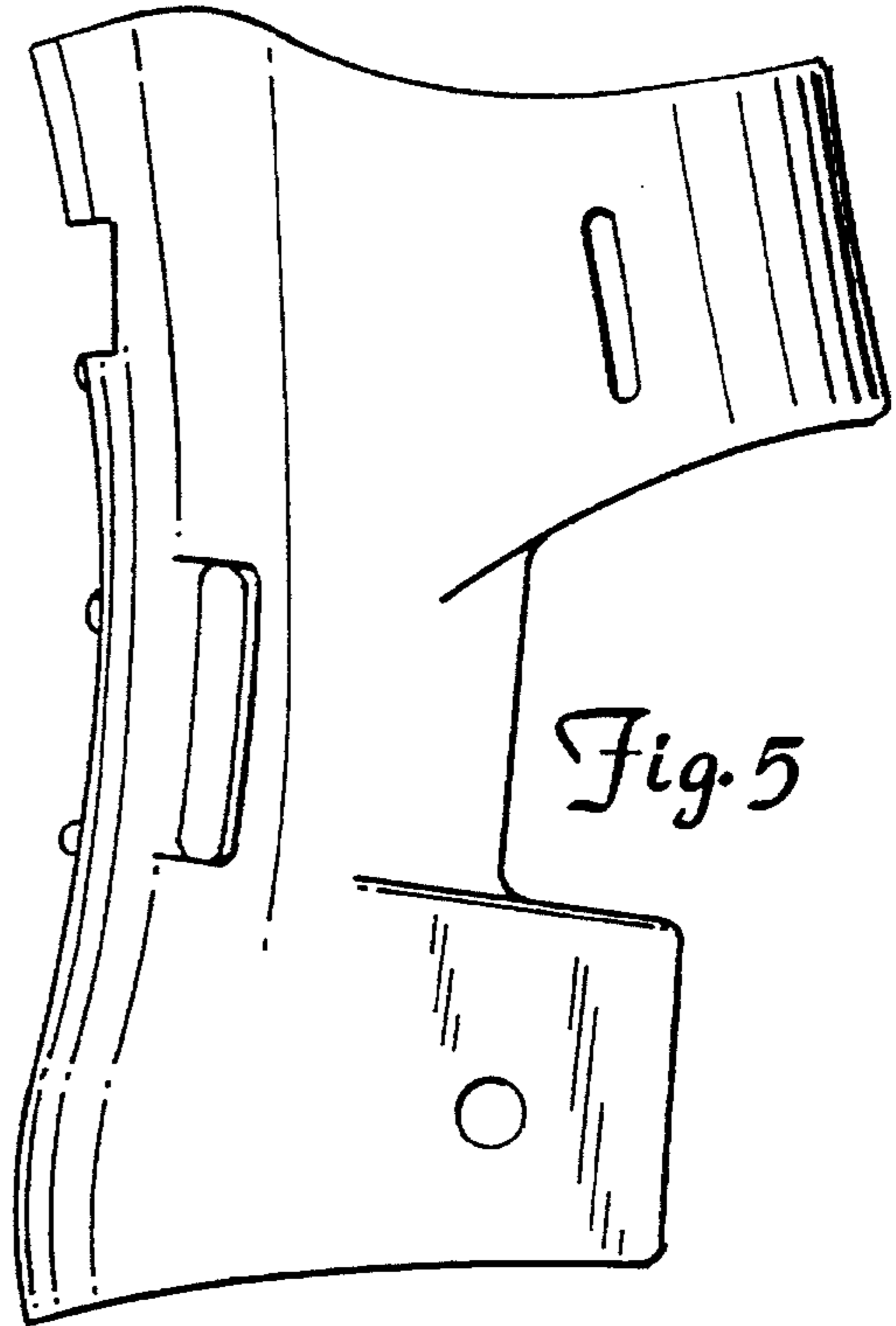


Fig. 5

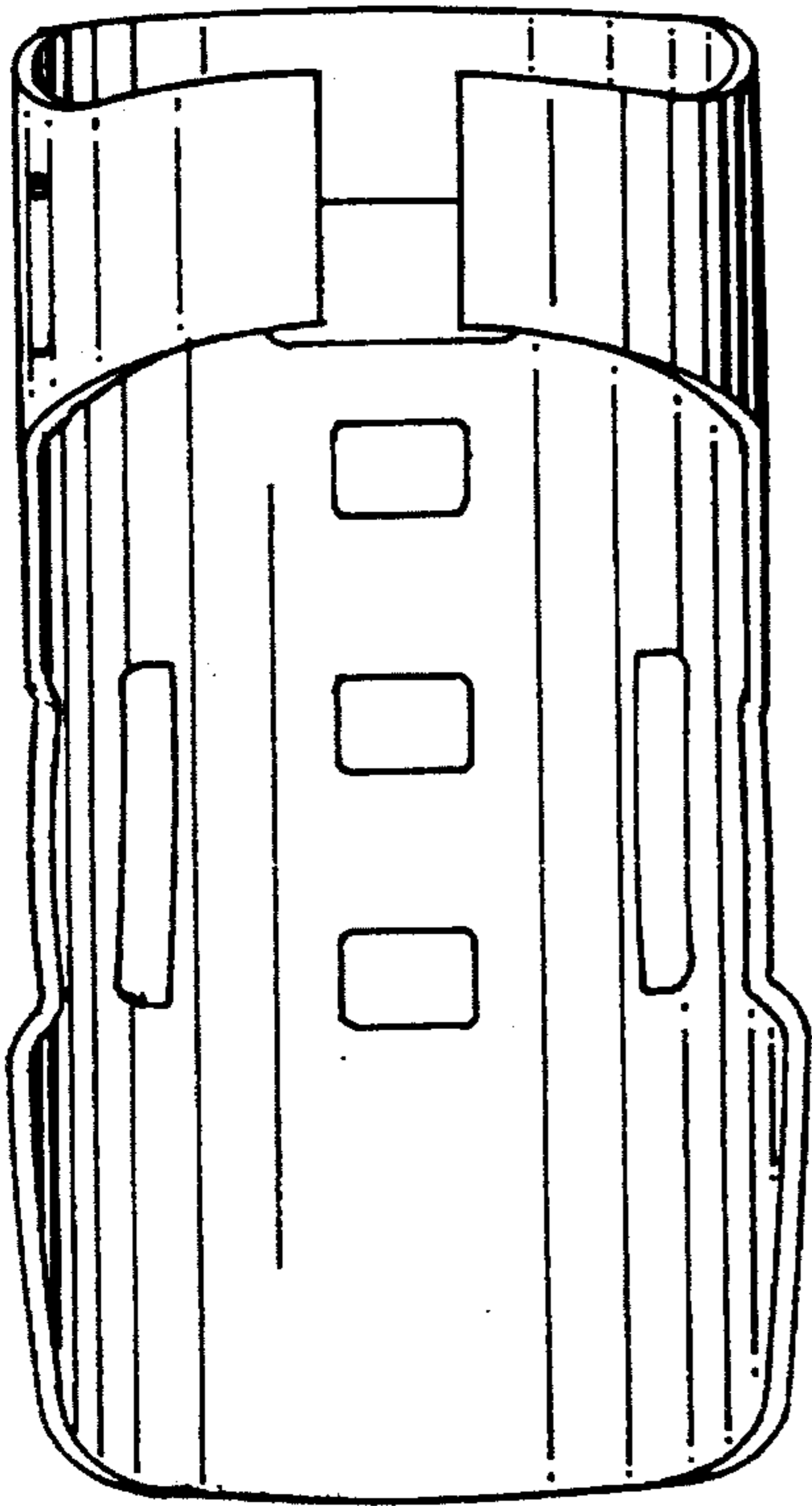


Fig. 6

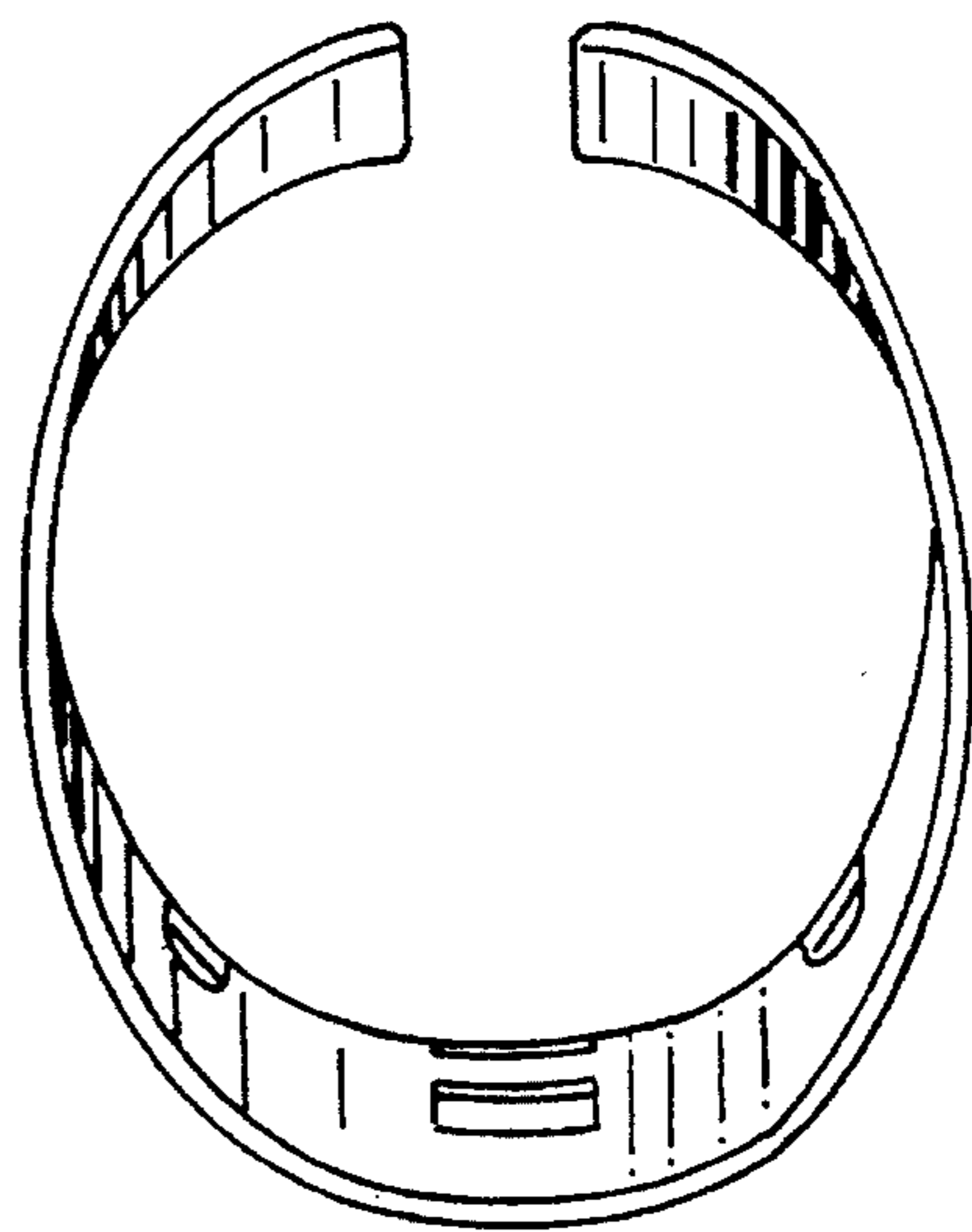
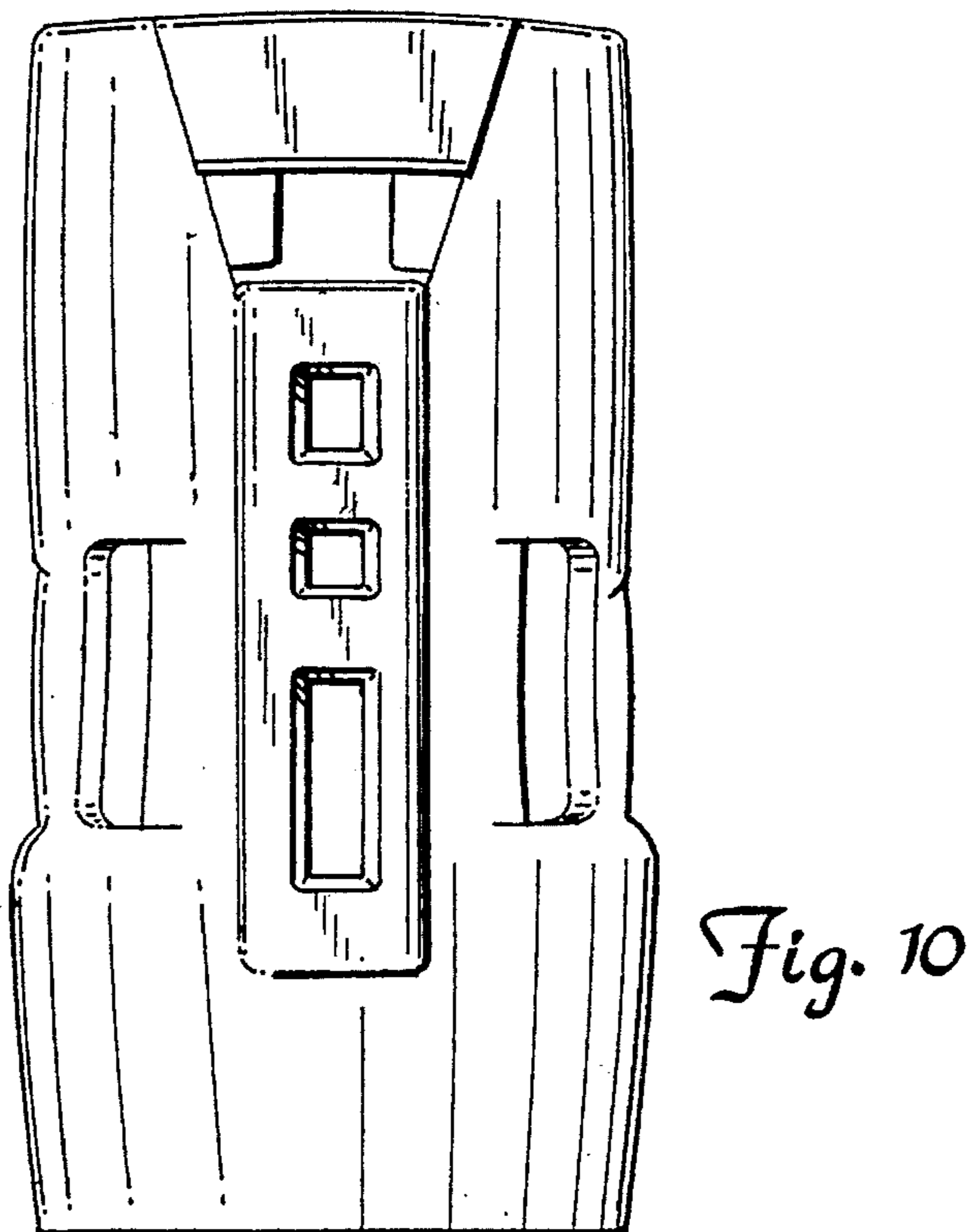
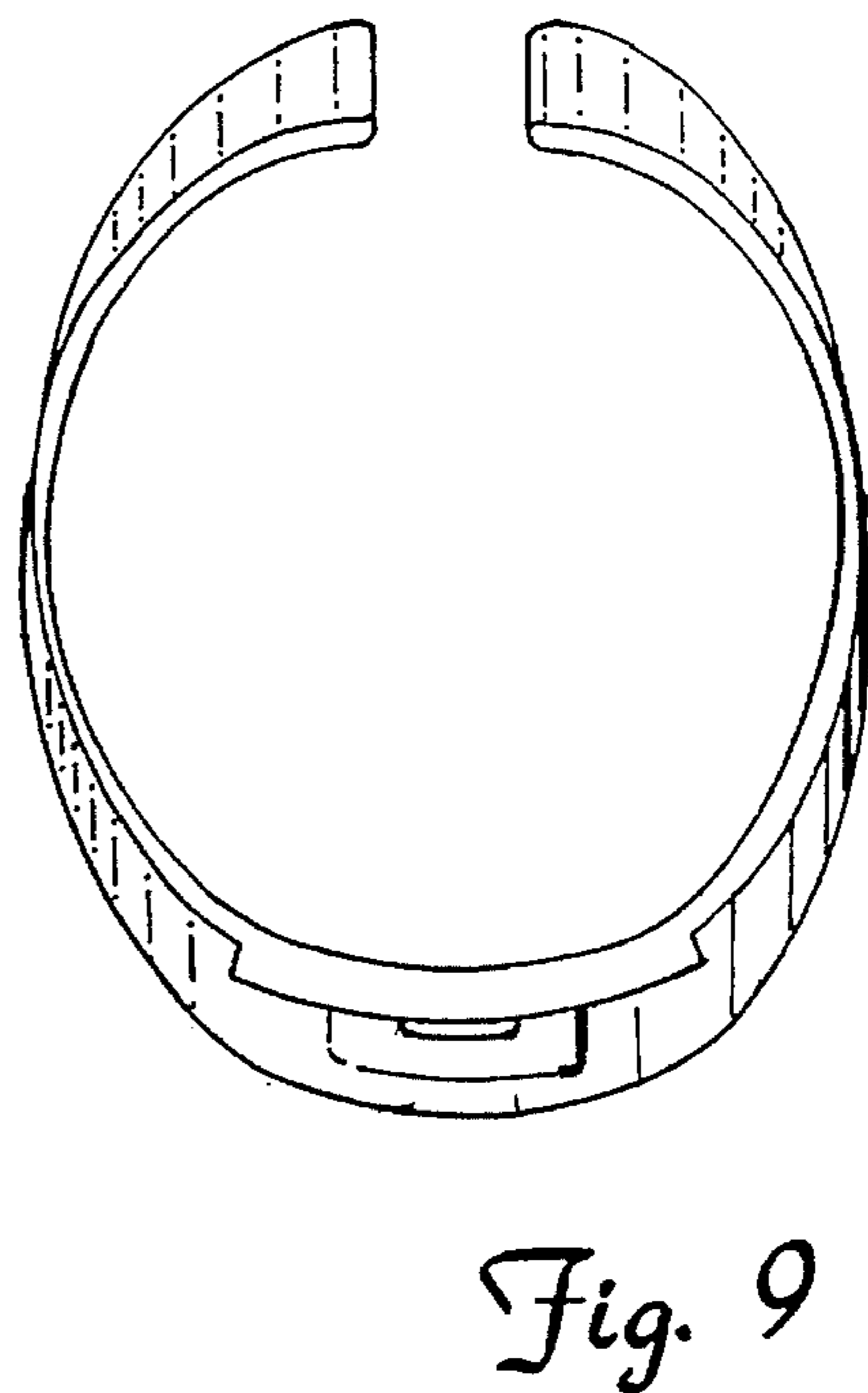
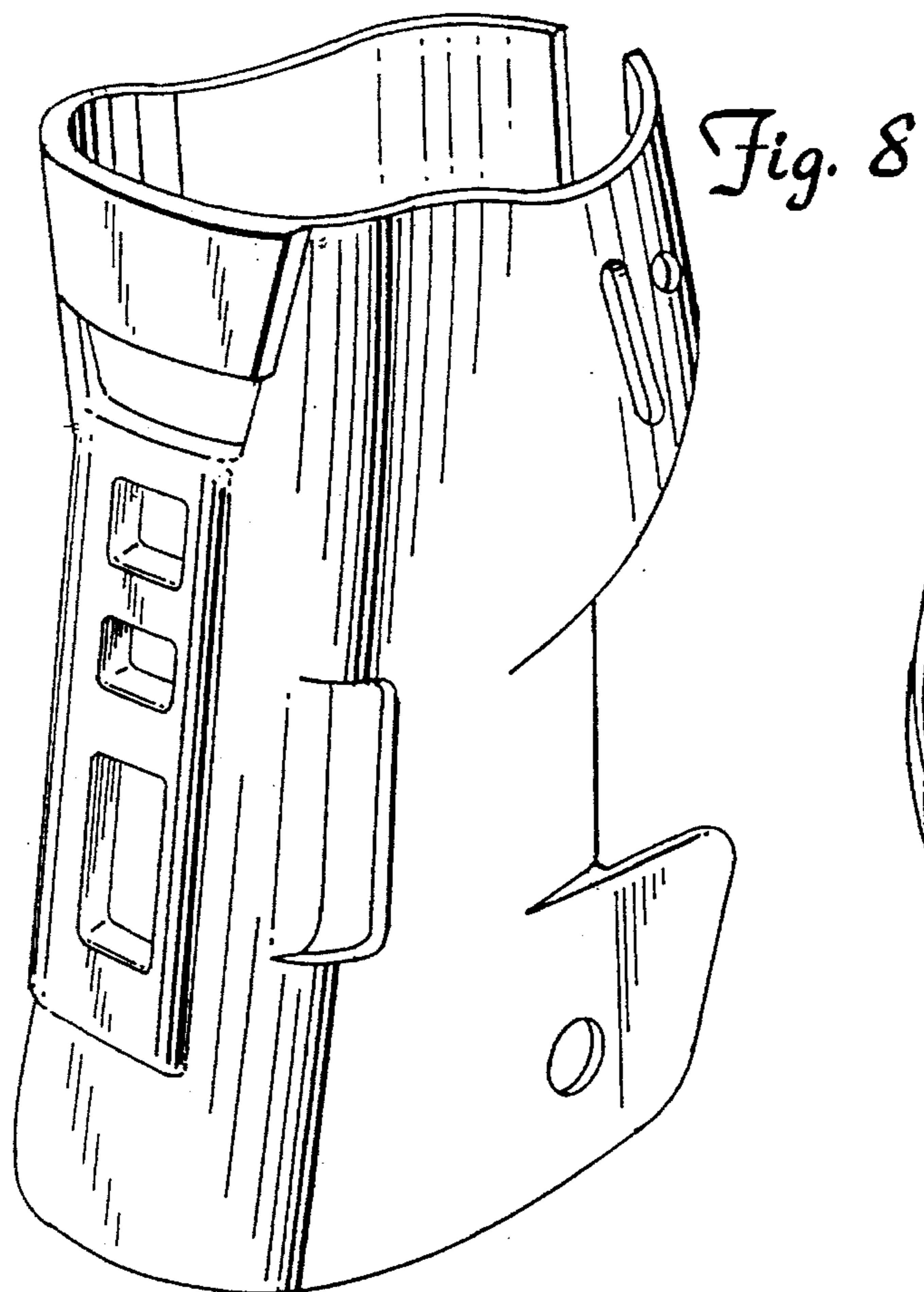


Fig. 7



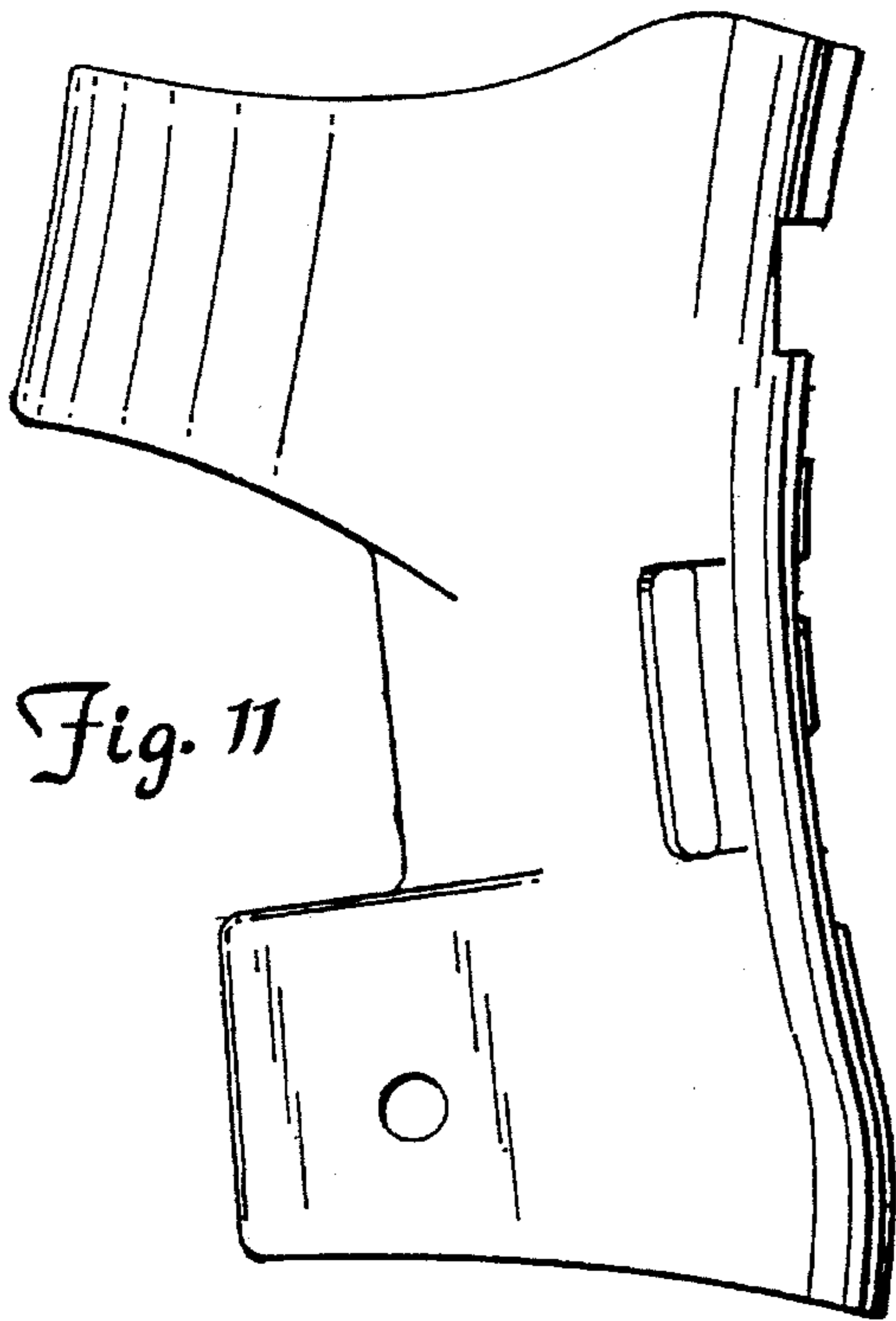


Fig. 11

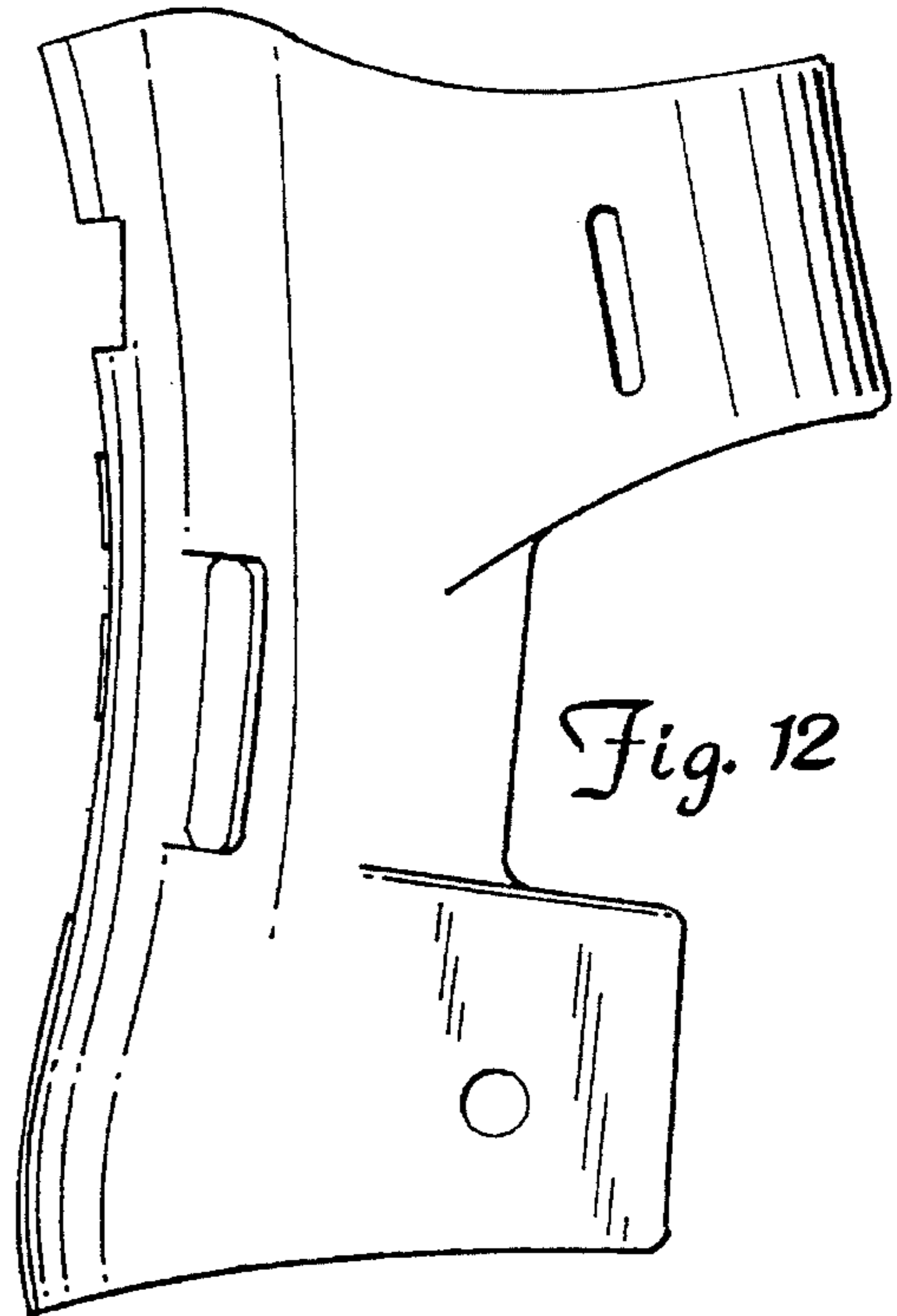


Fig. 12

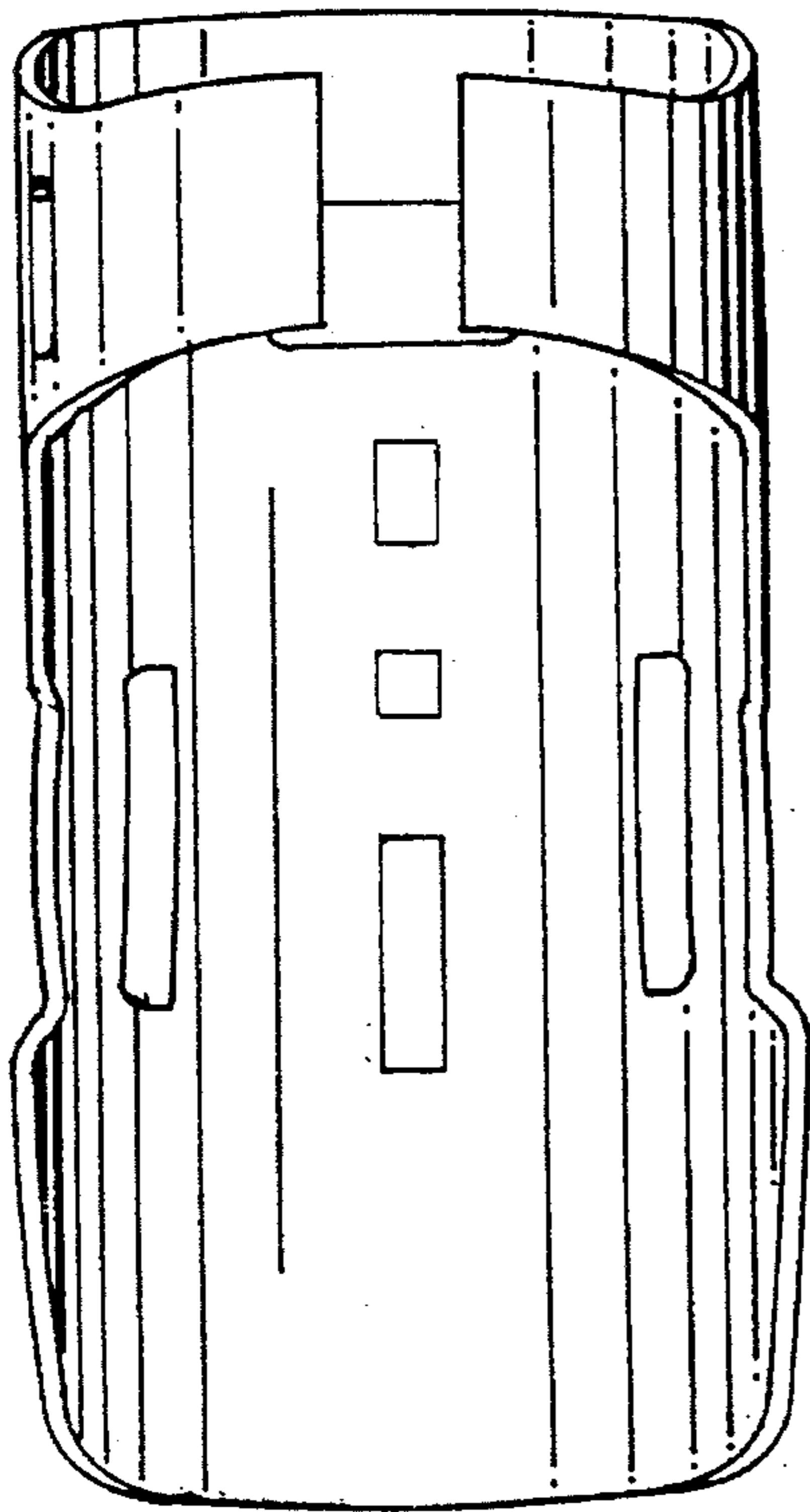


Fig. 13

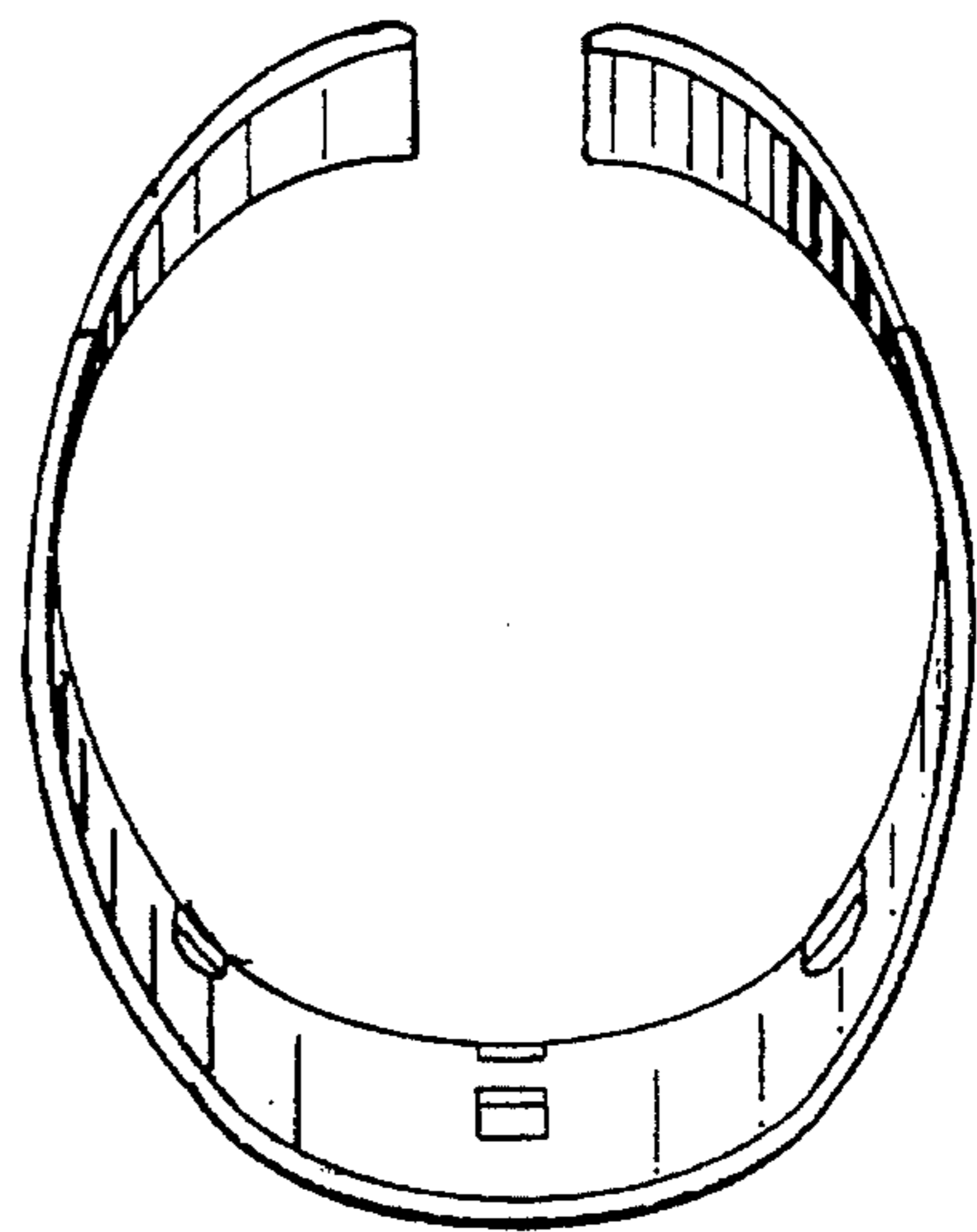


Fig. 14