



US00D365424S

**United States Patent** [19]  
**Weller**

[11] **Patent Number: Des. 365,424**  
[45] **Date of Patent: \*\*Dec. 19, 1995**

[54] **PAINT CAN LIP CLEANING TOOL**

D. 284,161 6/1986 Delano ..... D8/33  
D. 350,270 9/1994 Jensen ..... D8/89  
4,628,563 12/1986 Kramer ..... 15/105

[76] Inventor: **Steven J. Weller**, 2263 Viewlynn Drive, North Vancouver, B.C., Canada, V7J 2W9

*Primary Examiner*—Susan J. Lucas  
*Assistant Examiner*—Cynthia E. Ramirez  
*Attorney, Agent, or Firm*—Harpman & Harpman

[\*\*] Term: **14 Years**

[57] **CLAIM**

[21] Appl. No.: **33,742**

The ornamental design for a paint can lip cleaning tool, as shown and described.

[22] Filed: **Jan. 19, 1995**

[52] U.S. Cl. .... **D32/35; D8/16**

**DESCRIPTION**

[58] **Field of Search** ..... D32/35, 40, 41, D32/42, 46, 47, 49; D8/14, 18, 16, 21, 33, 89, 48; 15/236.01, 237, 241, 236.05, 236.06, 236.07, 236.08, 236.09, 245.1; 30/169

FIG. 1 is a front, top and side perspective view of the paint can lip cleaning tool embodying the design of the present invention;

FIG. 2 is a side elevational view thereof, the side opposite being a mirror image of the side shown in FIG. 2;

FIG. 3 is a front elevational view thereof;

FIG. 4 is a rear elevational view thereof;

FIG. 5 is a top plan view thereof; and,

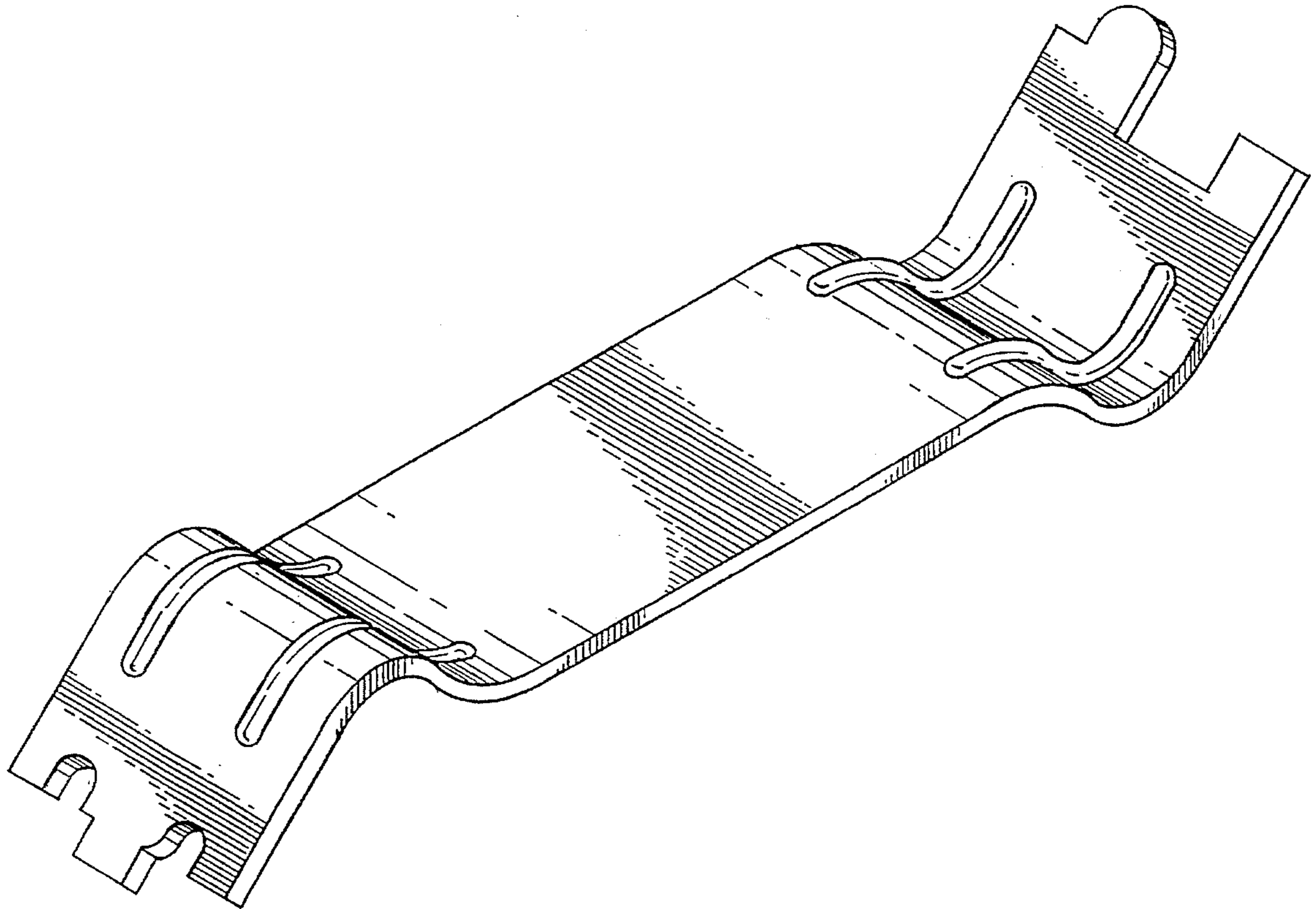
FIG. 6 is a bottom plan view thereof.

[56] **References Cited**

**U.S. PATENT DOCUMENTS**

D. 204,480 4/1966 Skarsten ..... D32/46  
D. 247,278 2/1978 Dunn, Jr. .... D32/46  
D. 254,953 5/1980 Delamater ..... D32/42 X  
D. 282,344 1/1986 Wilcox ..... D8/14

**1 Claim, 2 Drawing Sheets**



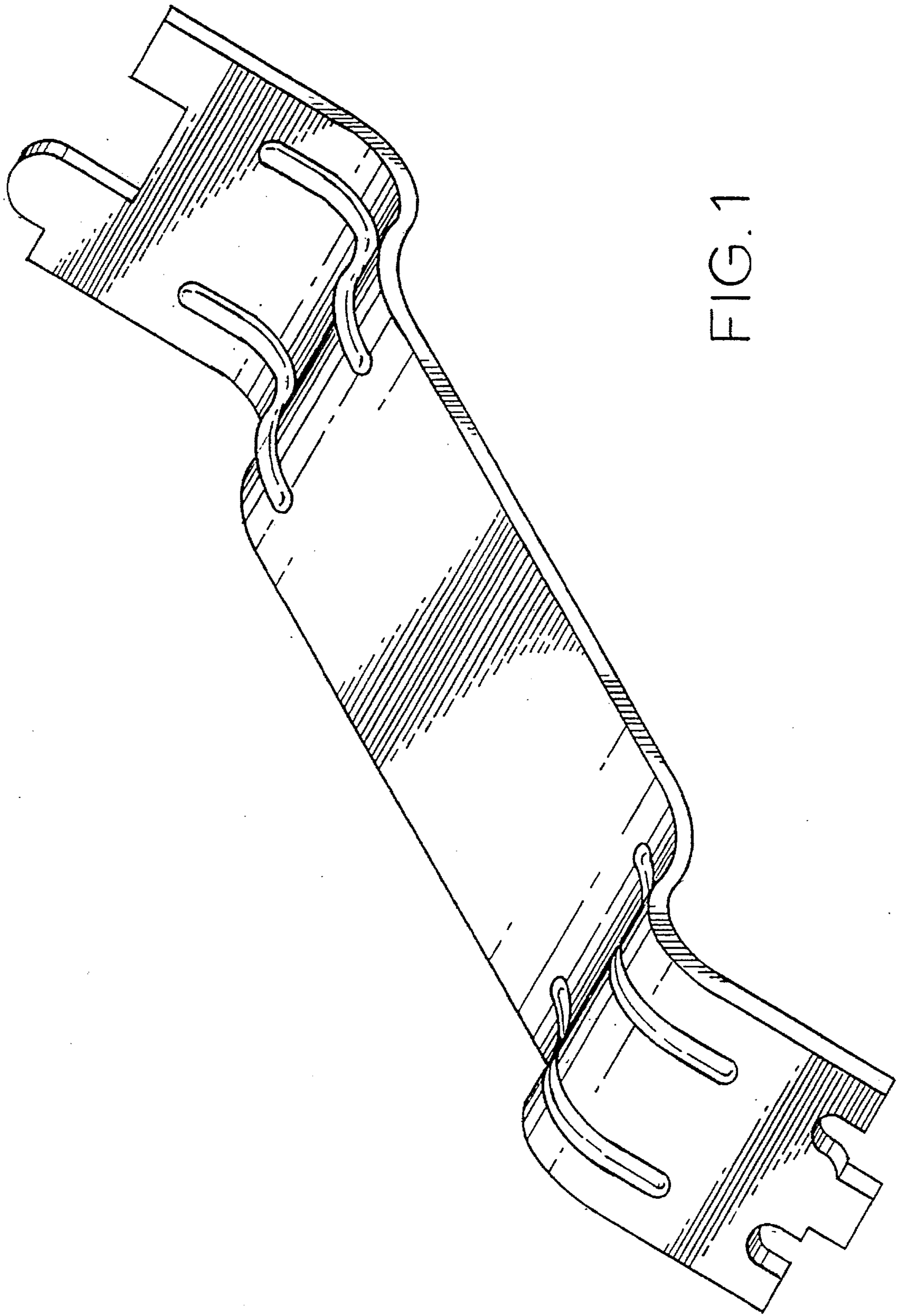


FIG. 1

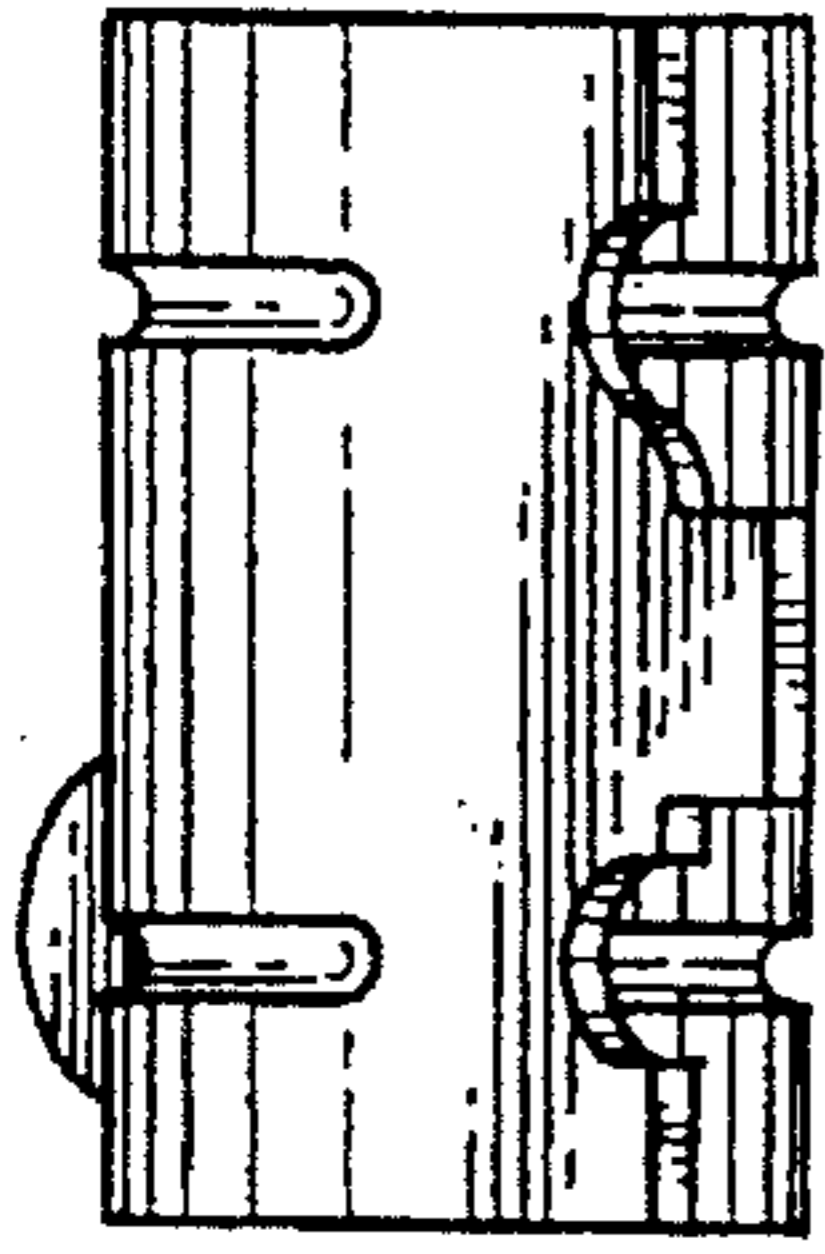


FIG. 3

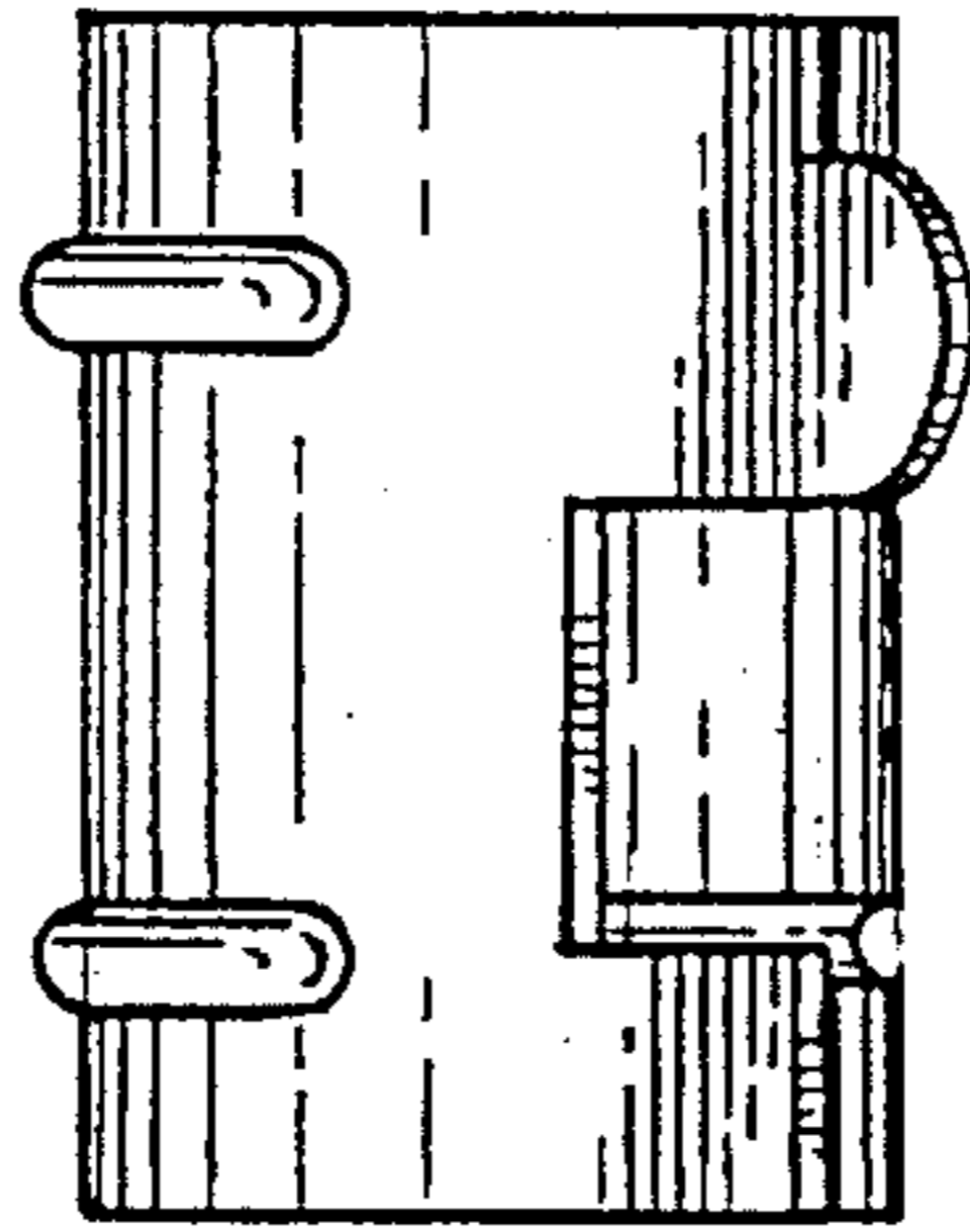


FIG. 4

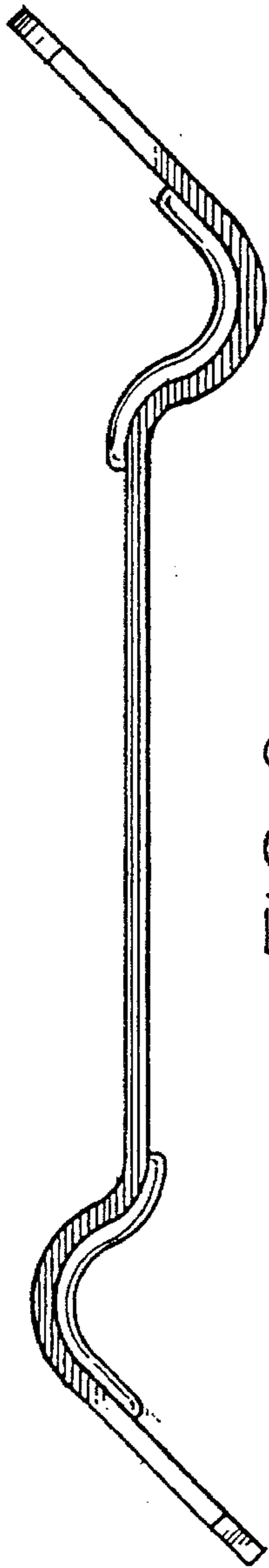


FIG. 2

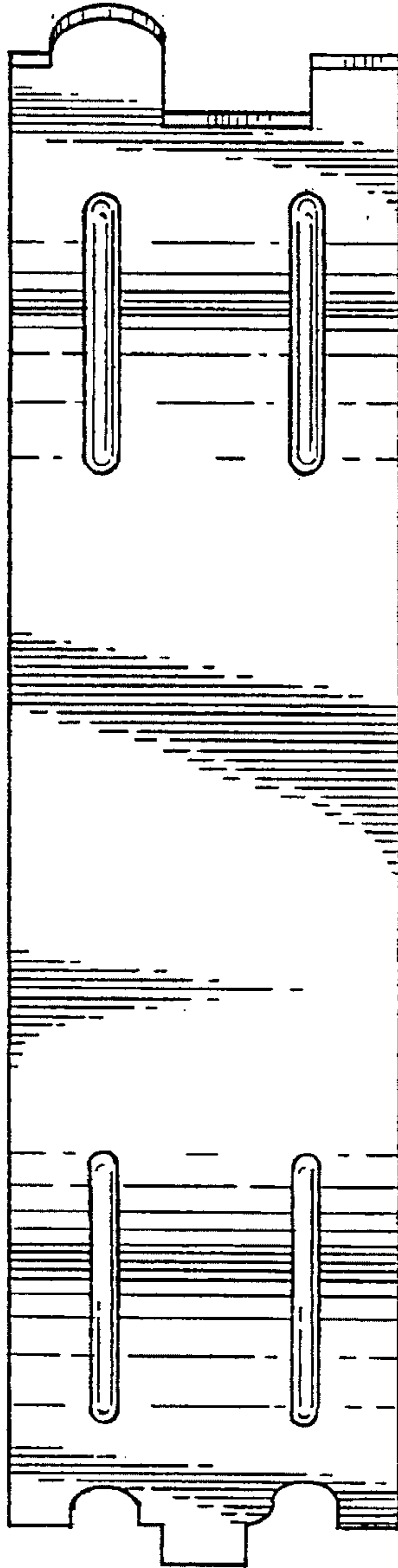


FIG. 5

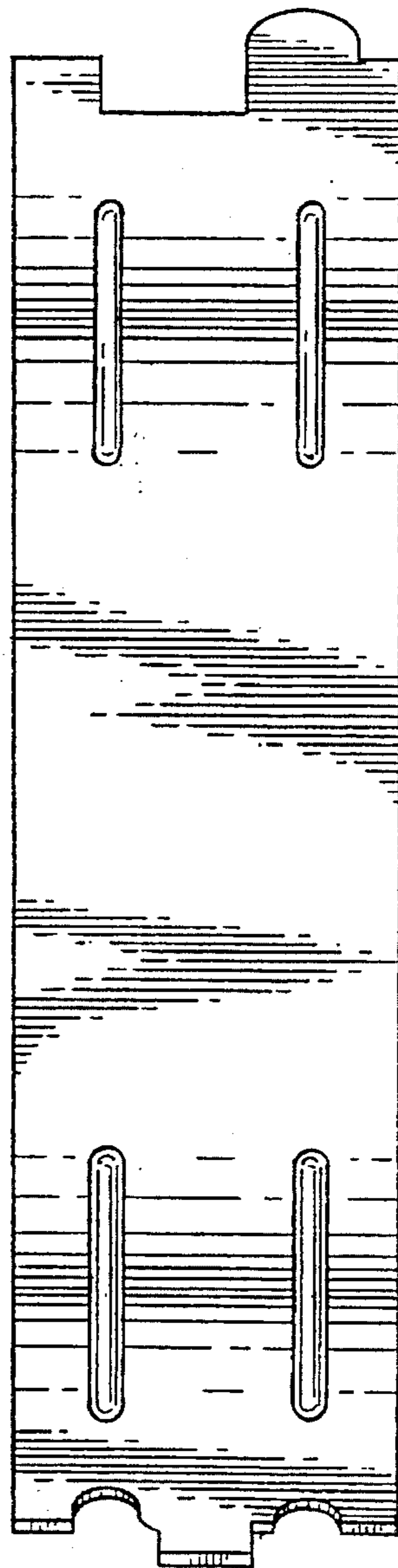


FIG. 6