



US00D365423S

United States Patent [19]

Bores et al.

[11] **Patent Number: Des. 365,423**

[45] **Date of Patent: **Dec. 19, 1995**

[54] **CLEANING MACHINE HOUSING**

[75] Inventors: **Frederick M. Bores**, Highlands Ranch;
Eugene L. Bothun; **Thomas G. Plaven**, both of Littleton; **Bryon Kajfosz**, Aurora, all of Colo.

D. 263,475 3/1982 Block D32/16
D. 273,621 4/1984 Haub et al. D32/16
D. 274,380 6/1984 Palmer D32/16
D. 298,479 11/1988 Jacobs et al. D32/16
D. 337,185 7/1993 Wulff D32/15
D. 338,291 8/1993 Palmer et al. D32/19

[73] Assignee: **Windsor Industries, Inc.**, Englewood, Colo.

Primary Examiner—Ruth McInroy
Attorney, Agent, or Firm—Sheridan Ross & McIntosh

[**] Term: **14 Years**

[57] CLAIM

[21] Appl. No.: **7,719**

The ornamental design for a cleaning machine housing, as shown and described.

[22] Filed: **Apr. 29, 1993**

DESCRIPTION

[52] **U.S. Cl.** **D32/16**

[58] **Field of Search** D32/21, 23-24,
D32/15-16, 19-20; 15/320-321, 323, 327.1-327.7,
353, 340.1-340.4, 79.1, 79.2, 319

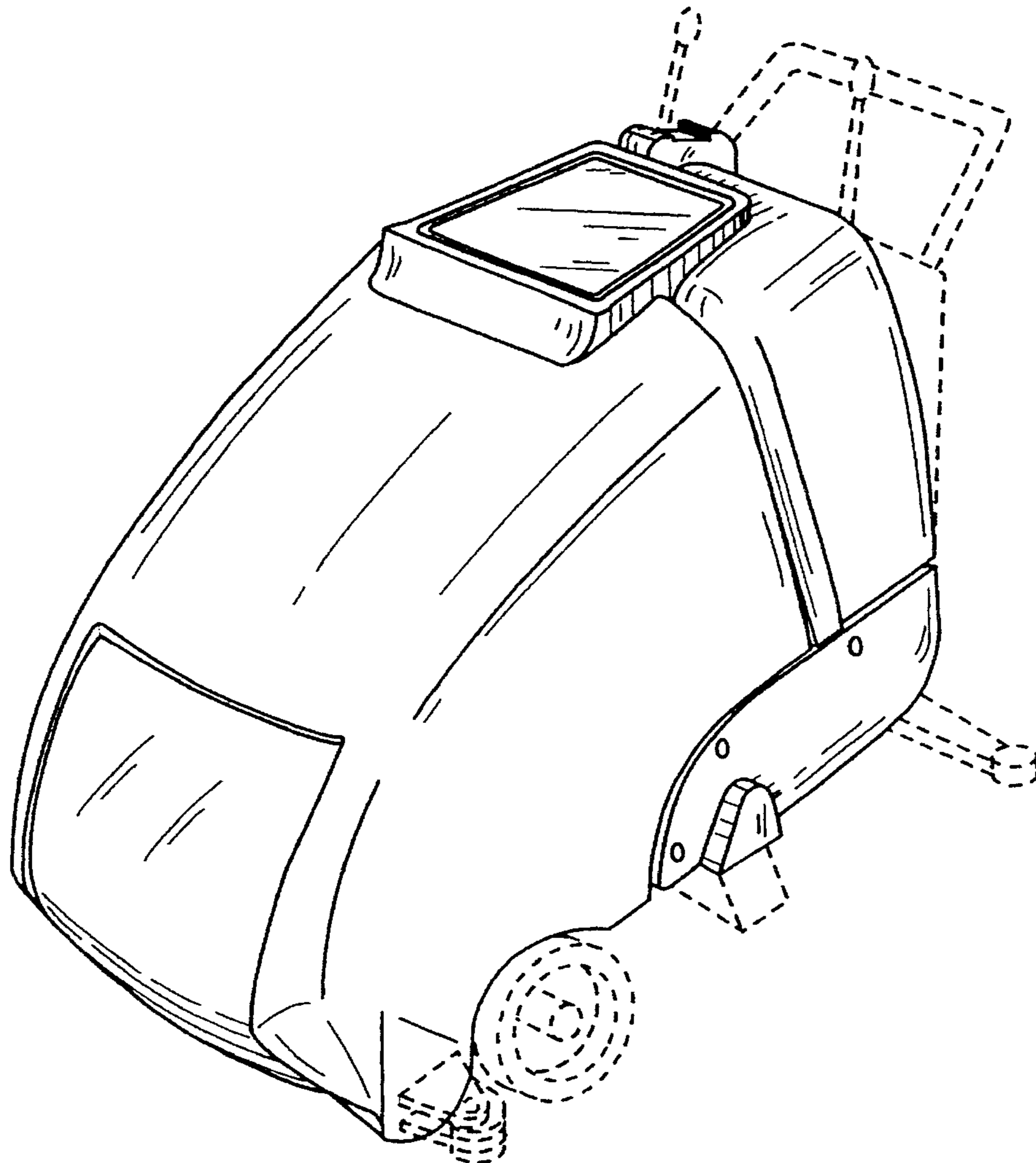
FIG. 1 is a front right side perspective view of a housing showing our new design;
FIG. 2 is a left side elevational view thereof;
FIG. 3 is a right side elevational view thereof;
FIG. 4 is a top plan view thereof;
FIG. 5 is a rear elevational view thereof; and,
FIG. 6 is a front elevational view thereof.
The undisclosed bottom is plain and unornamented.

[56] References Cited

U.S. PATENT DOCUMENTS

D. 183,080 6/1958 Ashton D32/16
D. 258,963 4/1981 Phillips D32/16

1 Claim, 6 Drawing Sheets



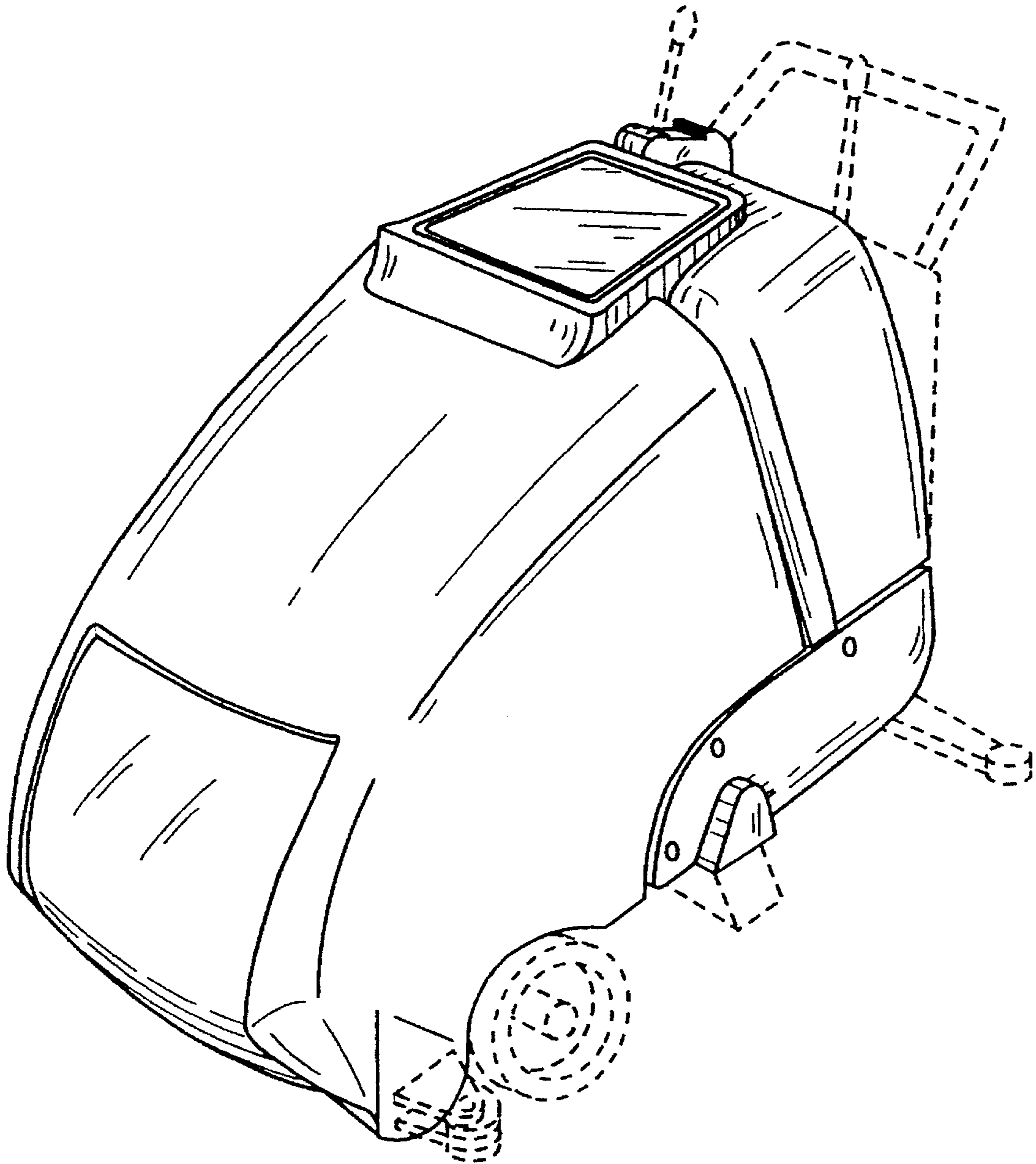


Fig. 1

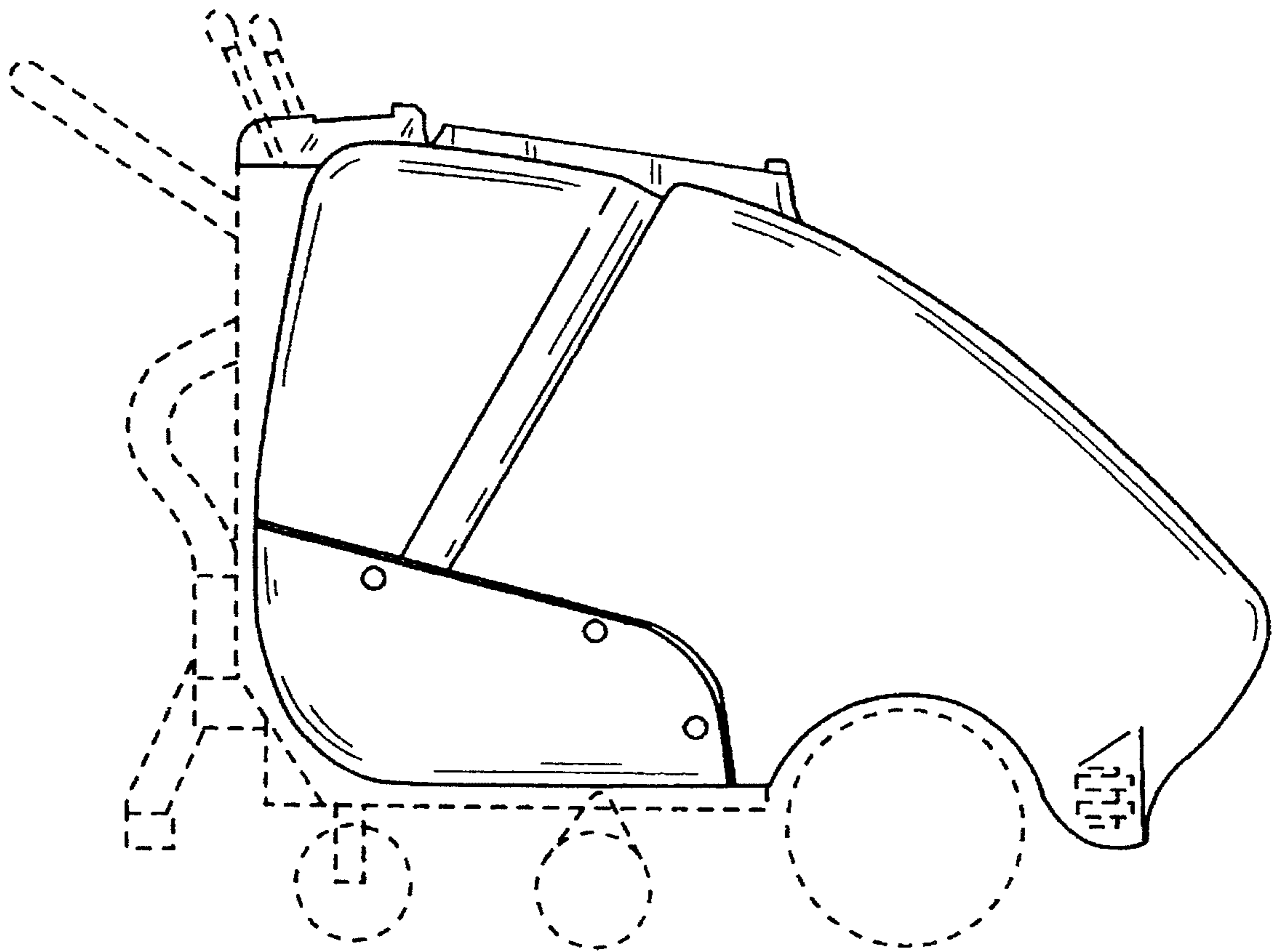


Fig. 2

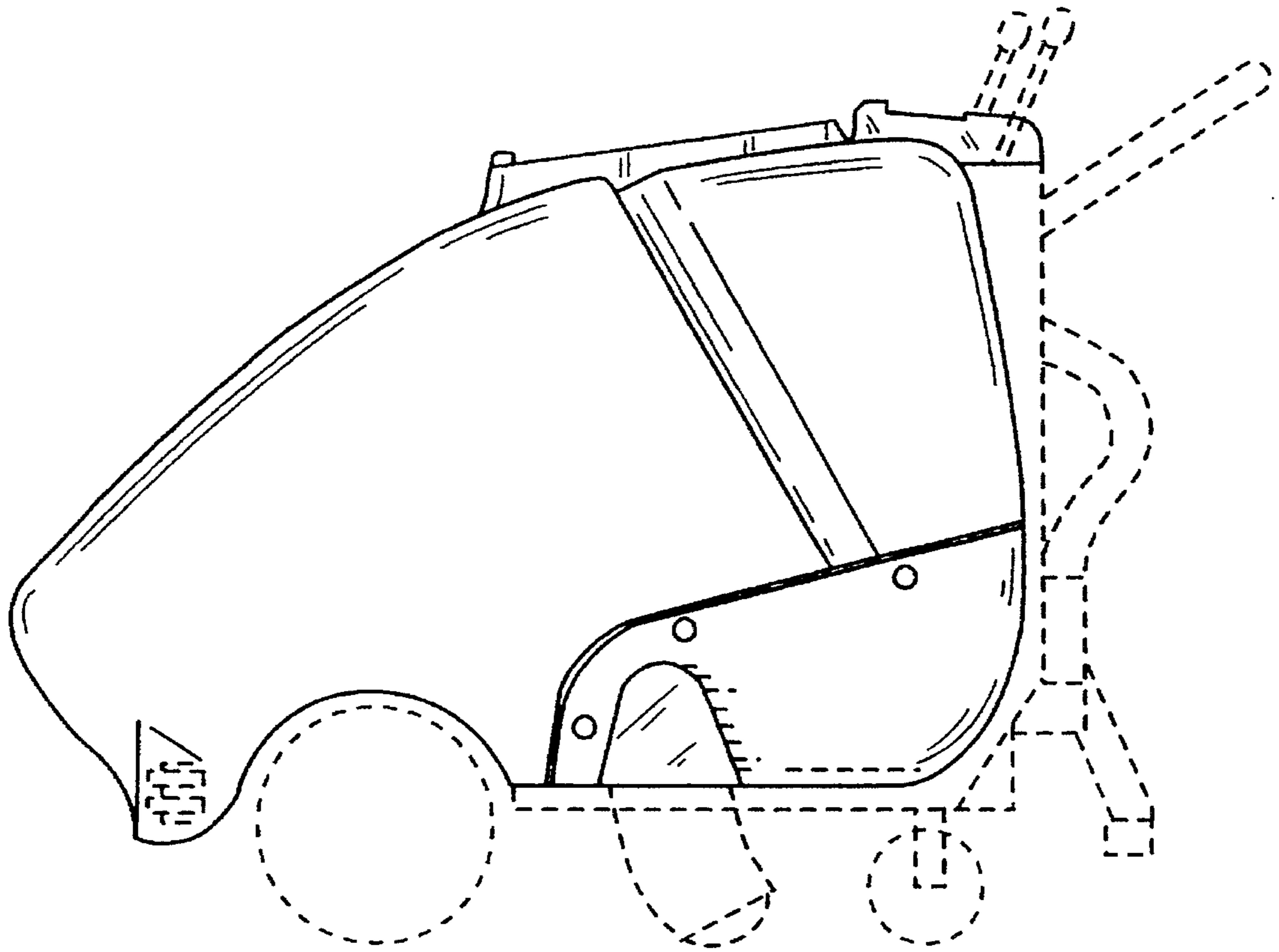


Fig. 3

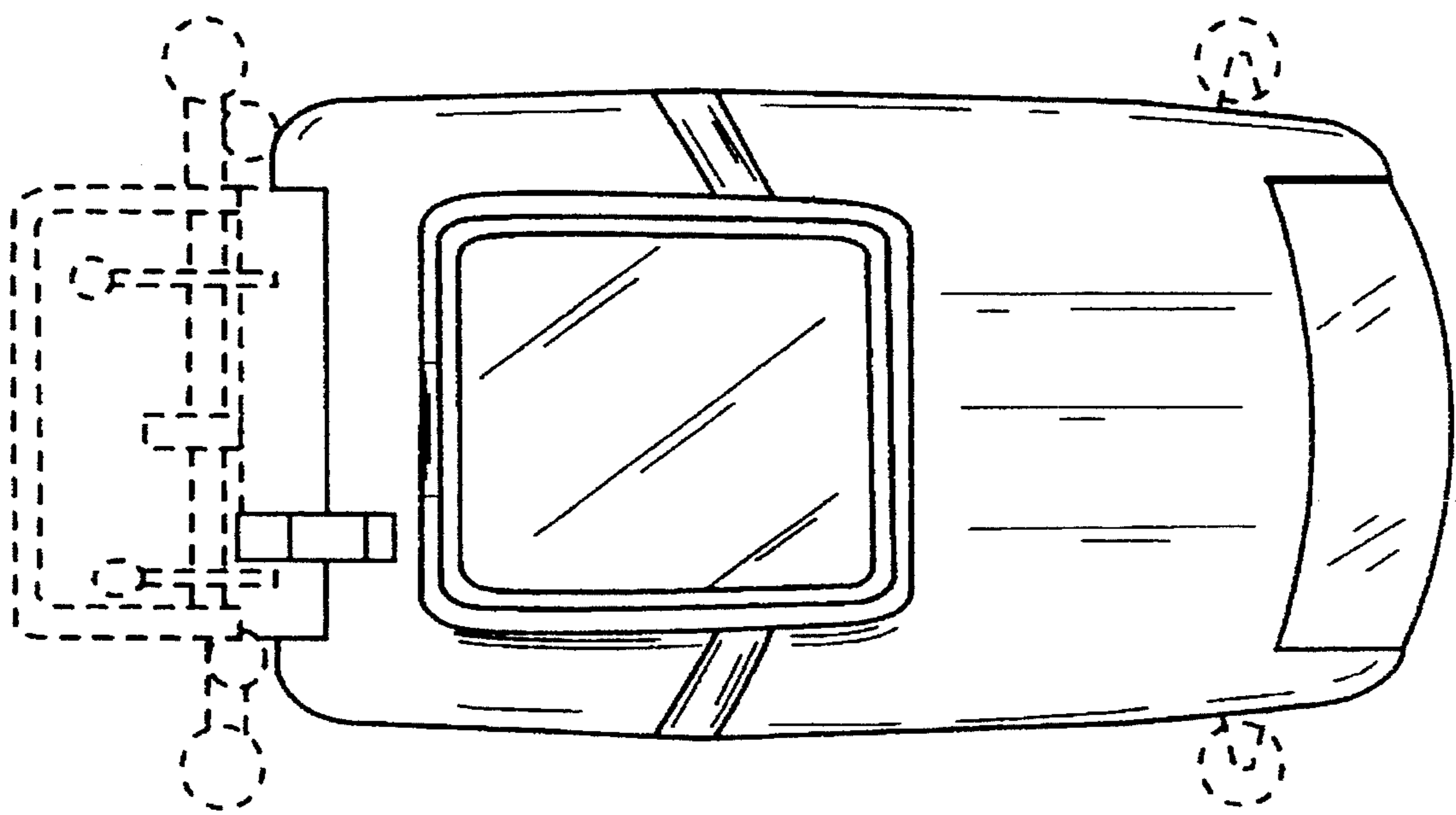


Fig. 4

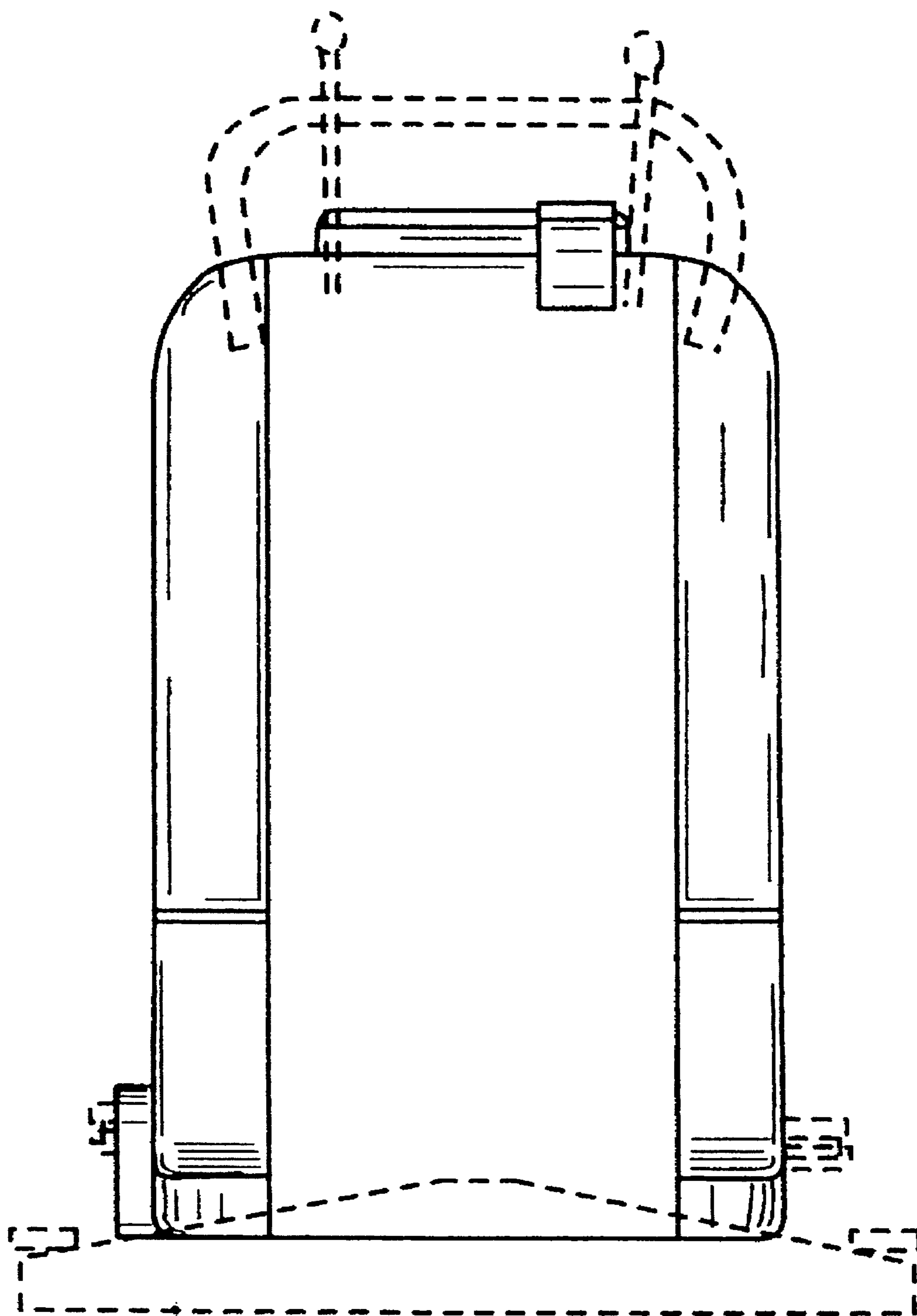


Fig. 5

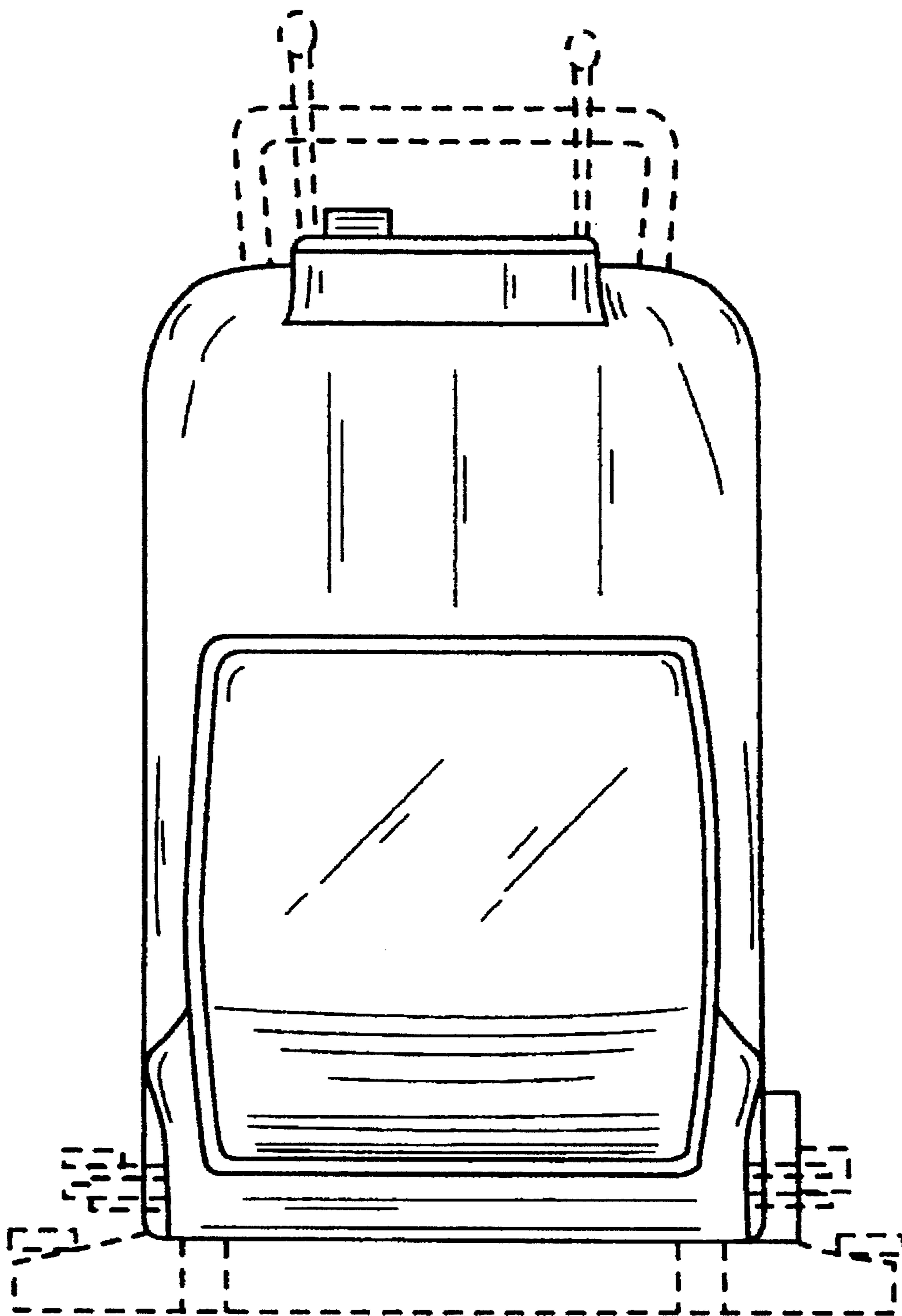


Fig. 6