



US00D365421S

# United States Patent [19]

Wahl et al.

[11] Patent Number: **Des. 365,421**

[45] Date of Patent: **\*\*Dec. 19, 1995**

## [54] RECHARGEABLE HAIR CLIPPER

[75] Inventors: **Gregory S. Wahl**, Sterling; **Charles D. Hartwig**, Dixon, both of Ill.; **Duncan Copland**, Newtown, Pa.

[73] Assignee: **Wahl Clipper Corporation**, Sterling, Ill.

[\*\*] Term: **14 Years**

[21] Appl. No.: **19,205**

[22] Filed: **Feb. 25, 1994**

[52] U.S. Cl. .... **D28/53**

[58] Field of Search ..... D28/49-53; 30/34.05, 30/34.1, 34.2, 41.9, 43, 43.1, 43.2, 43.7, 43.8, 42, 44, 45, 200-203, 208-210, 216

## [56] References Cited

### U.S. PATENT DOCUMENTS

D. 182,935	5/1958	Smith	.....	D28/51
D. 190,577	6/1961	Madl	.	
D. 215,683	10/1969	Carpenter	.....	D28/53
D. 219,636	12/1970	Carpenter	.....	D28/53
D. 283,736	5/1986	Wahl et al.	.	
D. 287,648	1/1987	Wahl et al.	.....	D28/53
D. 302,743	8/1989	Wahl et al.	.....	D28/53
D. 310,272	8/1990	Gallanis	.....	D28/53
D. 310,734	9/1990	Gallanis	.....	D28/53
D. 319,324	8/1991	Wahl et al.	.....	D28/53
D. 340,783	10/1993	McCambridge	.....	D28/53
1,680,289	8/1928	Graeff	.....	30/216
3,237,304	3/1966	Herzon	.....	30/201
5,068,966	12/1991	Wahl et al.	.....	30/43.92
5,088,200	2/1992	Piwaron et al.	.....	30/43.92 X

## FOREIGN PATENT DOCUMENTS

0089546	8/1978	Japan	.....	30/208
4005988	1/1992	Japan	.....	30/34.2

## OTHER PUBLICATIONS

"Popular Mechanics" May -1950, p.68 —Whisker electric shaver.

Photocopy of promotional literature for Thrive® Electric Hair Clippers, one page, date unknown.

Photocopy of promotional literature for Conair Cord/Cordless hair clipper, 1993, one page.

*Primary Examiner*—Terry A. Wallace

*Assistant Examiner*—C. Tuttle

*Attorney, Agent, or Firm*—Greer, Burns & Crain, Ltd.

## [57] CLAIM

The ornamental design for a rechargeable hair clipper, as shown and described.

## DESCRIPTION

FIG. 1 is a top perspective view of our new design for a rechargeable hair clipper;

FIG. 2 is a right side elevational view of the rechargeable hair clipper;

FIG. 3 is a top plan view of the rechargeable hair clipper of our invention;

FIG. 4 is a bottom plan view thereof;

FIG. 5 is a left side elevational view thereof;

FIG. 6 is a rear elevational view of the rechargeable hair clipper thereof; and,

FIG. 7 is a front elevational view thereof.

**1 Claim, 2 Drawing Sheets**

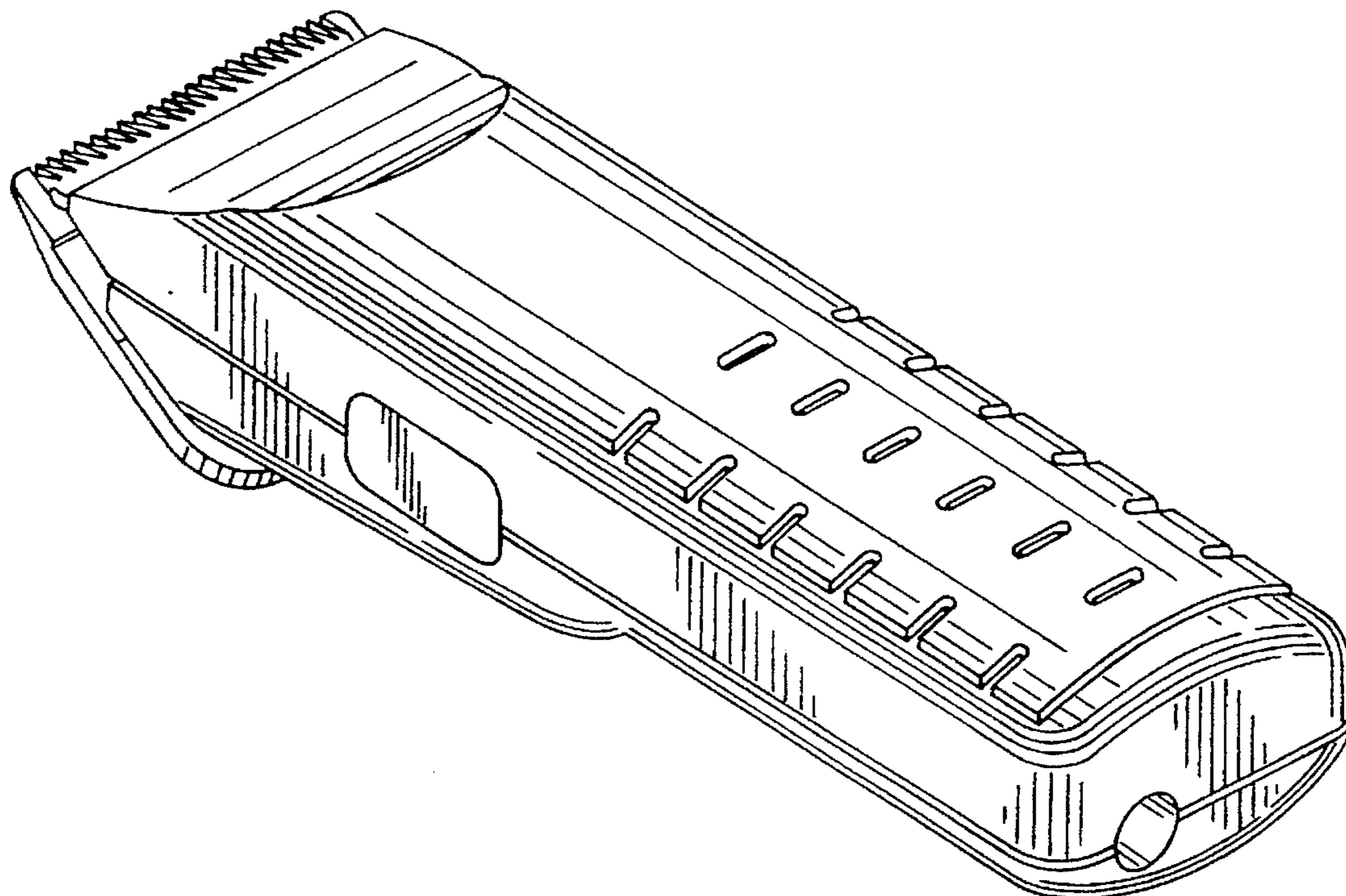


FIG. 1

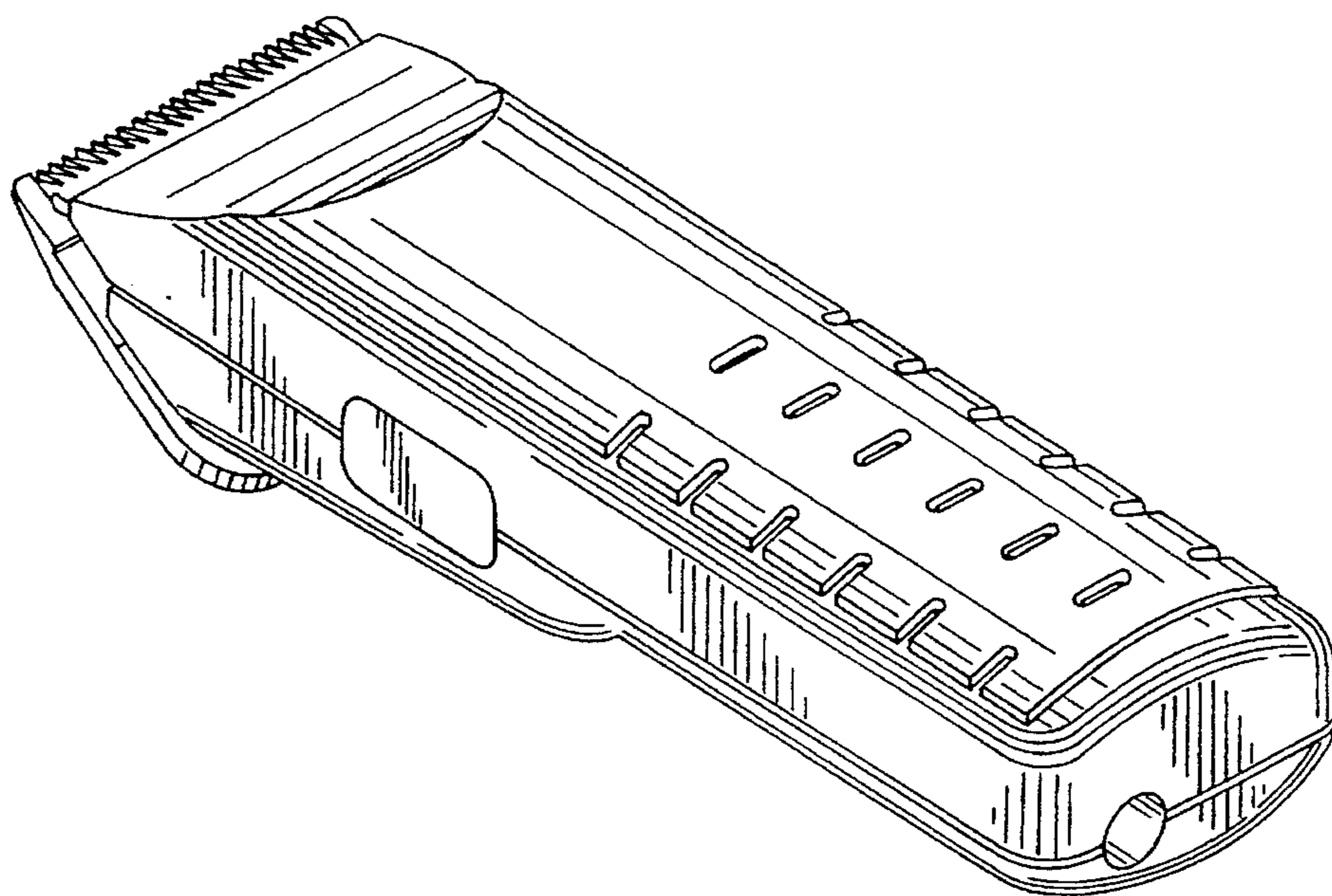


FIG. 2

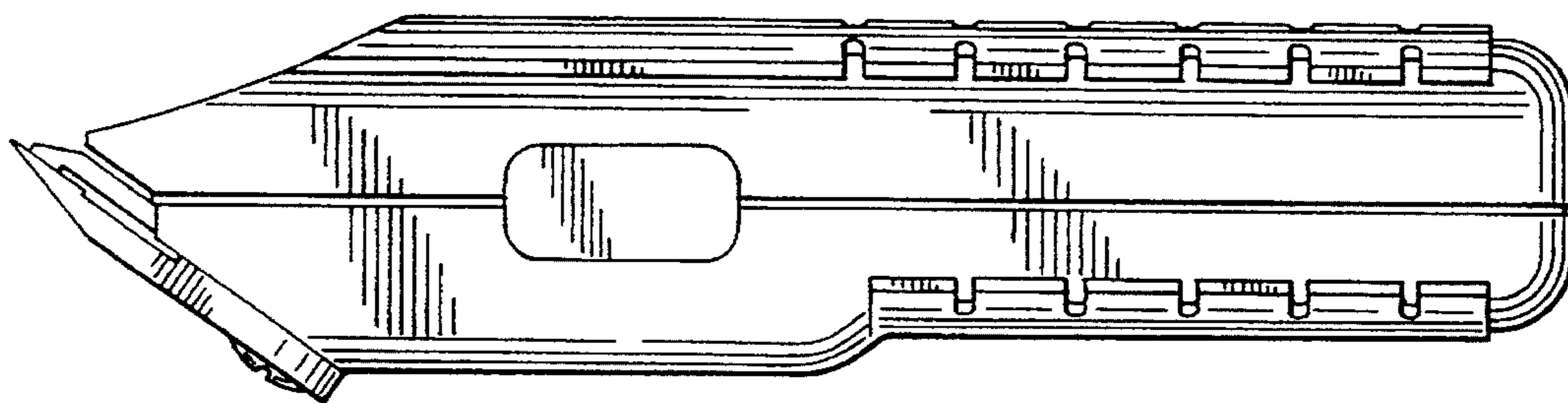


FIG. 3

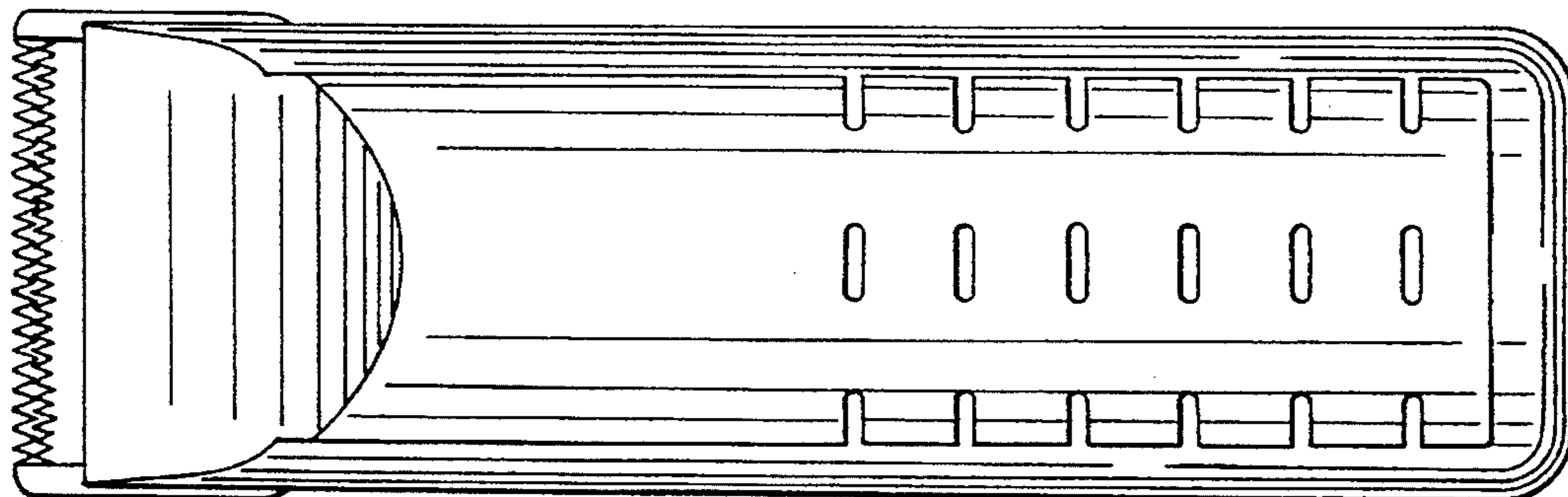


FIG. 4

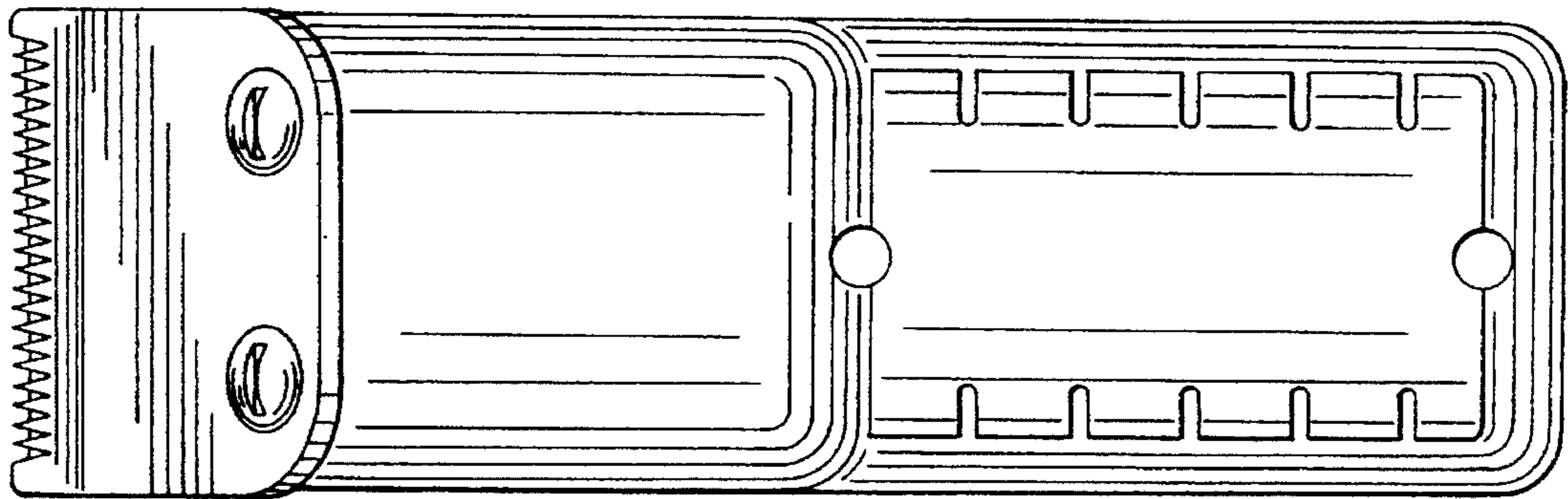


FIG. 5

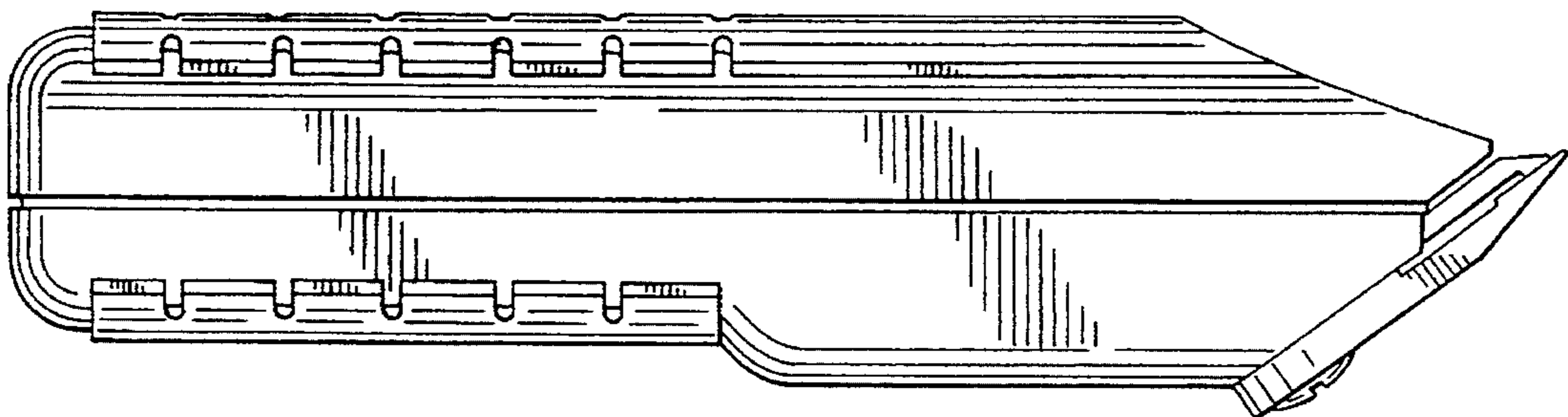


FIG. 6

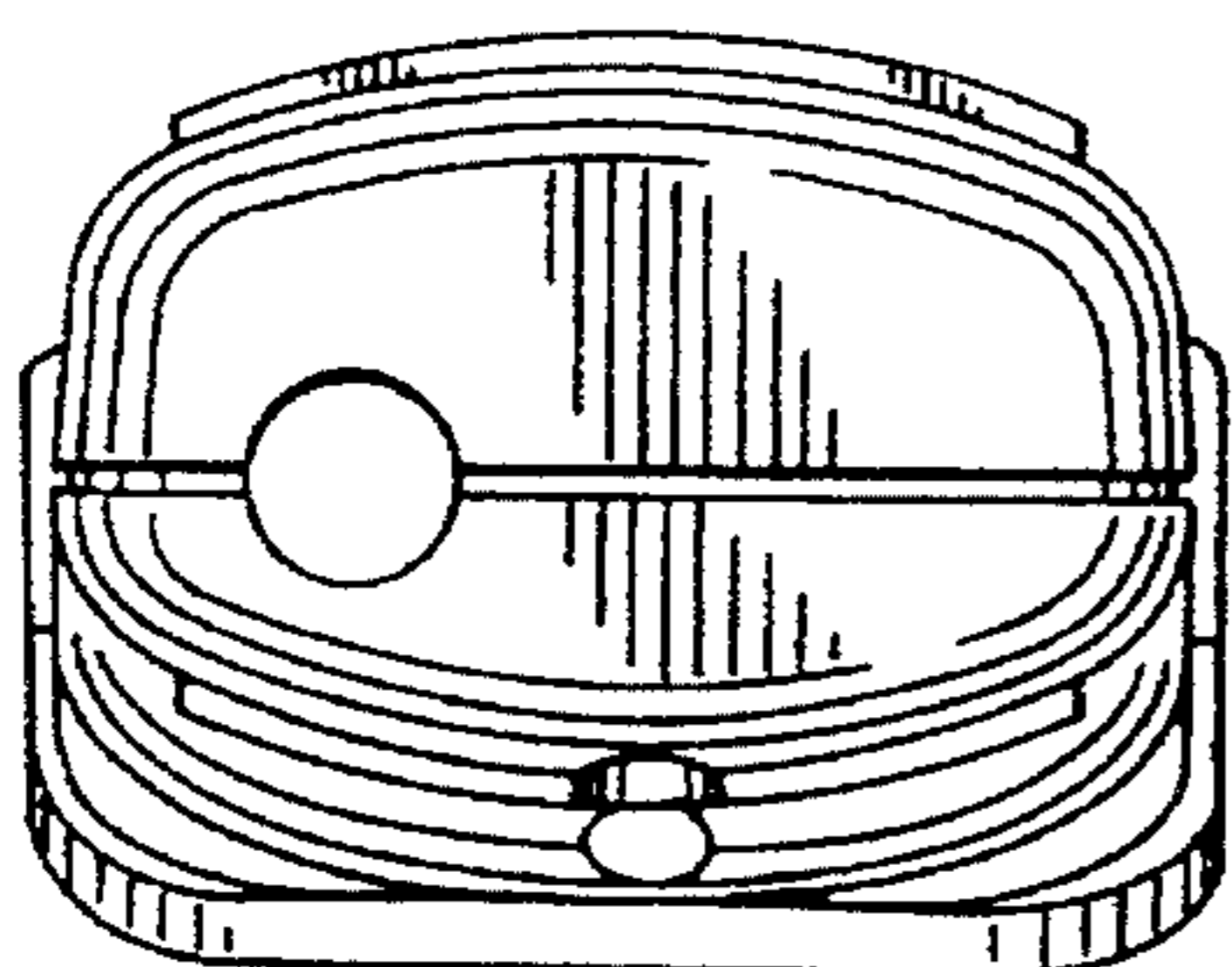


FIG. 7

