



US00D365420S

**United States Patent** [19]  
**Momose**

[11] **Patent Number: Des. 365,420**  
[45] **Date of Patent: \*\*Dec. 19, 1995**

[54] **CUTTER FOR AN ELECTRIC SHAVER**

[75] Inventor: **Kazuhiro Momose**, Nagano, Japan

[73] Assignee: **Izumi Products Company**, Nagano, Japan

[\*\*] Term: **14 Years**

[21] Appl. No.: **8,941**

[22] Filed: **May 28, 1993**

[52] **U.S. Cl.** ..... **D28/50**

[58] **Field of Search** ..... D28/44, 50; 30/34.1, 30/34.2, 43.4-43.6, 346.55, 346.57, 347

[56] **References Cited**

**U.S. PATENT DOCUMENTS**

D. 257,744	12/1980	Van Hemmen et al. ....	D28/50 X
D. 288,251	2/1987	Izumi .....	D28/45
D. 294,981	3/1988	Izumi .....	D28/50
3,125,808	3/1964	Starre .....	30/346.51 X
4,227,301	10/1980	Van Hemmen et al. ....	30/346.51 X

4,258,470	3/1981	Boiten et al. ....	30/34.2 X
4,262,416	4/1981	Van Hemmen et al. ....	30/346.51 X
4,729,169	3/1988	Asawa .....	30/43.6

*Primary Examiner*—Ted Shooman  
*Assistant Examiner*—C. Tuttle  
*Attorney, Agent, or Firm*—Koda and Androlia

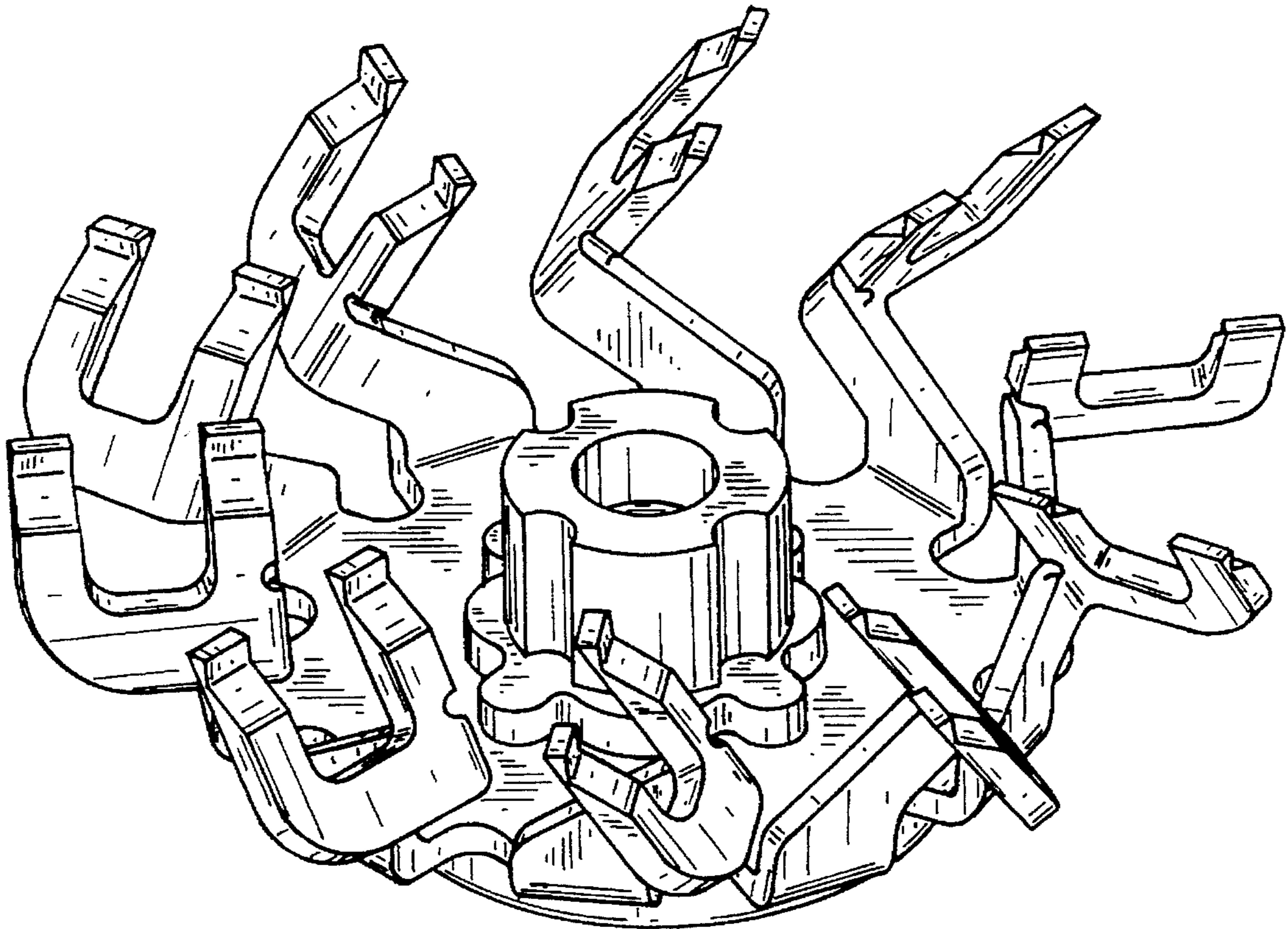
[57] **CLAIM**

The ornamental design for a cutter for an electric shaver, as shown and described.

**DESCRIPTION**

FIG. 1 is a perspective view taken from the front and top of the cutter for an electric shaver showing my new design; FIG. 2 is a left side elevational view thereof; the right side elevational view being a mirror image; FIG. 3 is a front elevational view thereof; the rear elevational view being a mirror image; FIG. 4 is a top plan view thereof; and, FIG. 5 is a bottom plan view thereof.

**1 Claim, 2 Drawing Sheets**



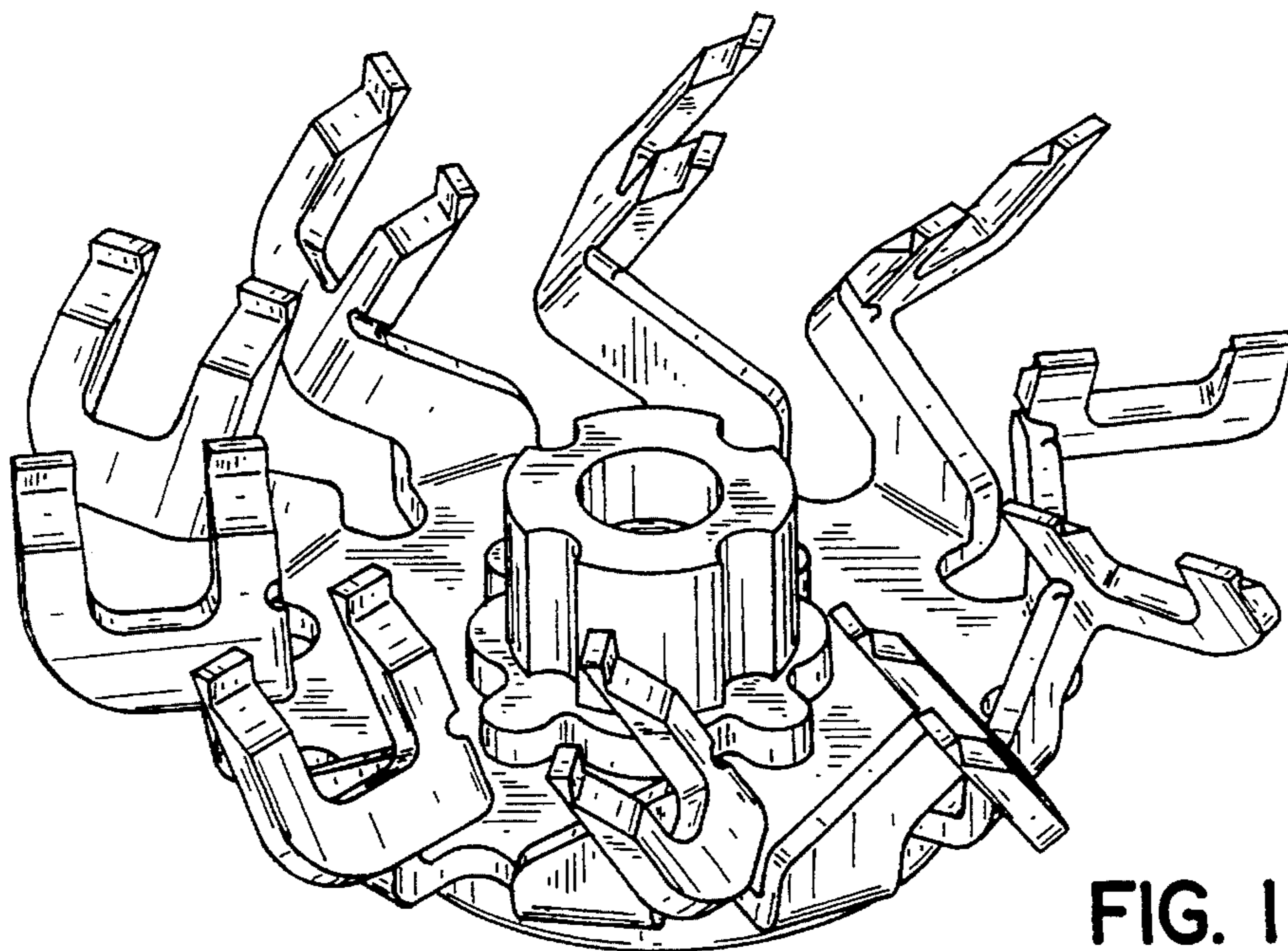


FIG. 1

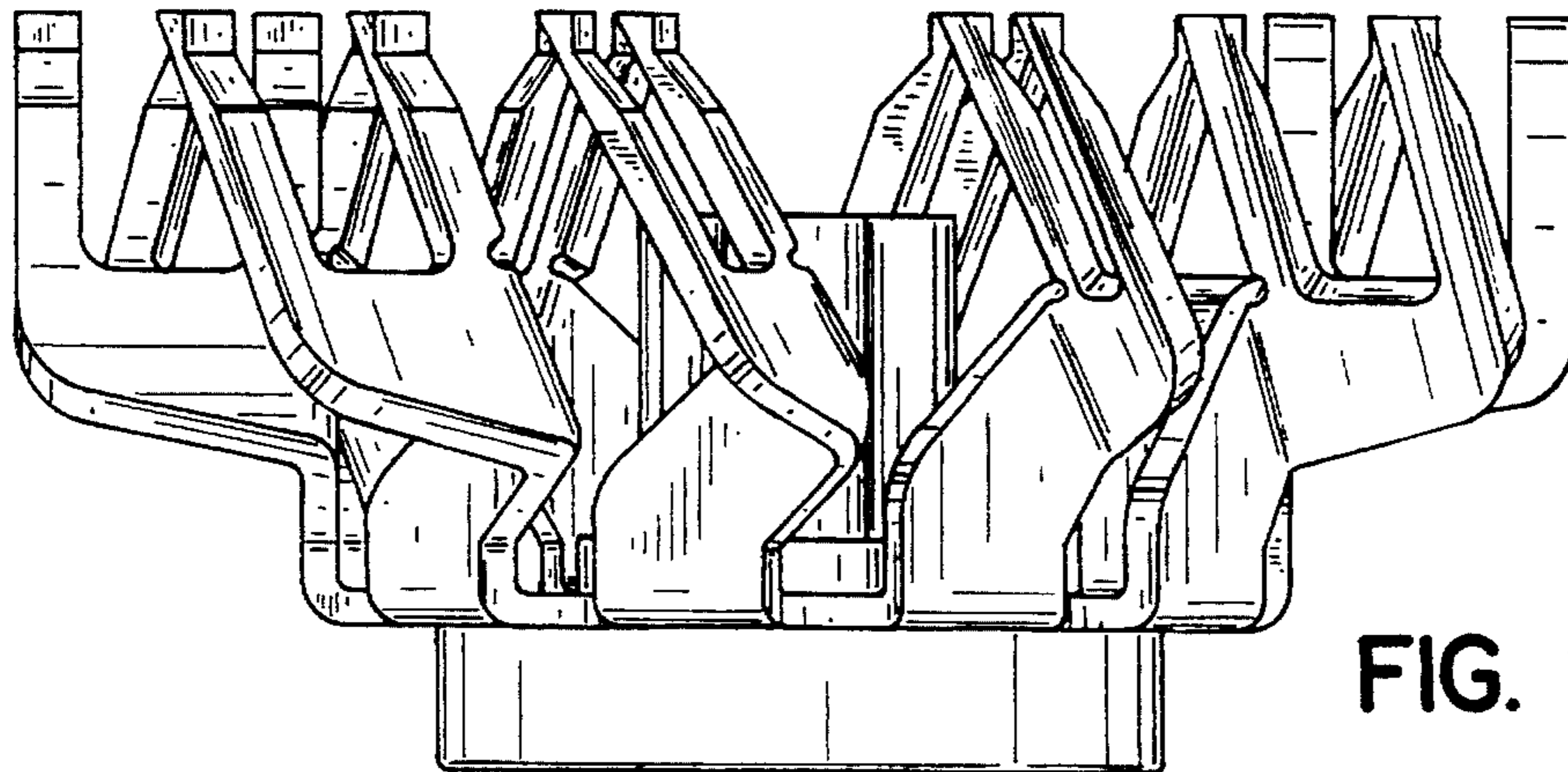


FIG. 2

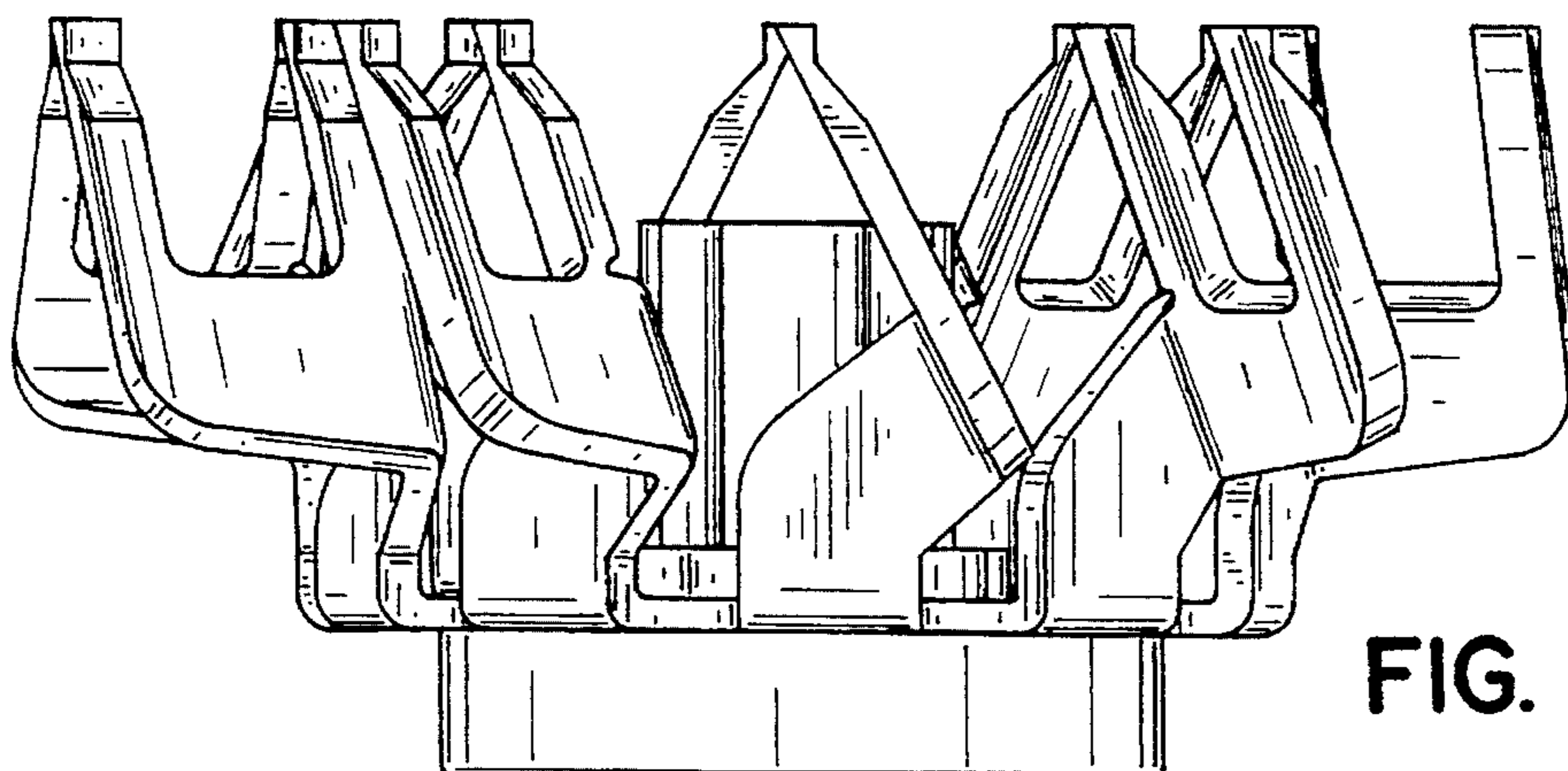


FIG. 3

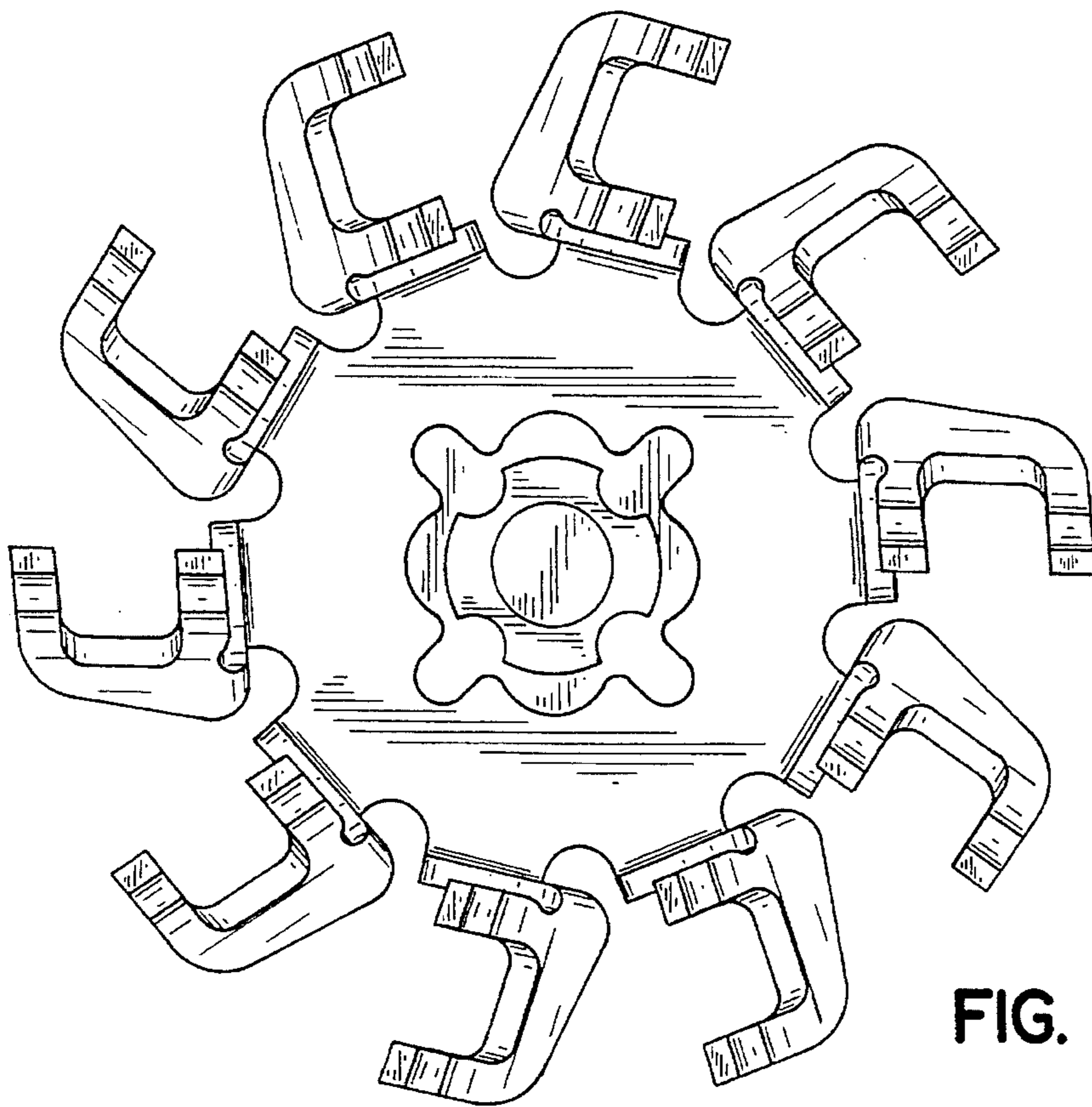


FIG. 4

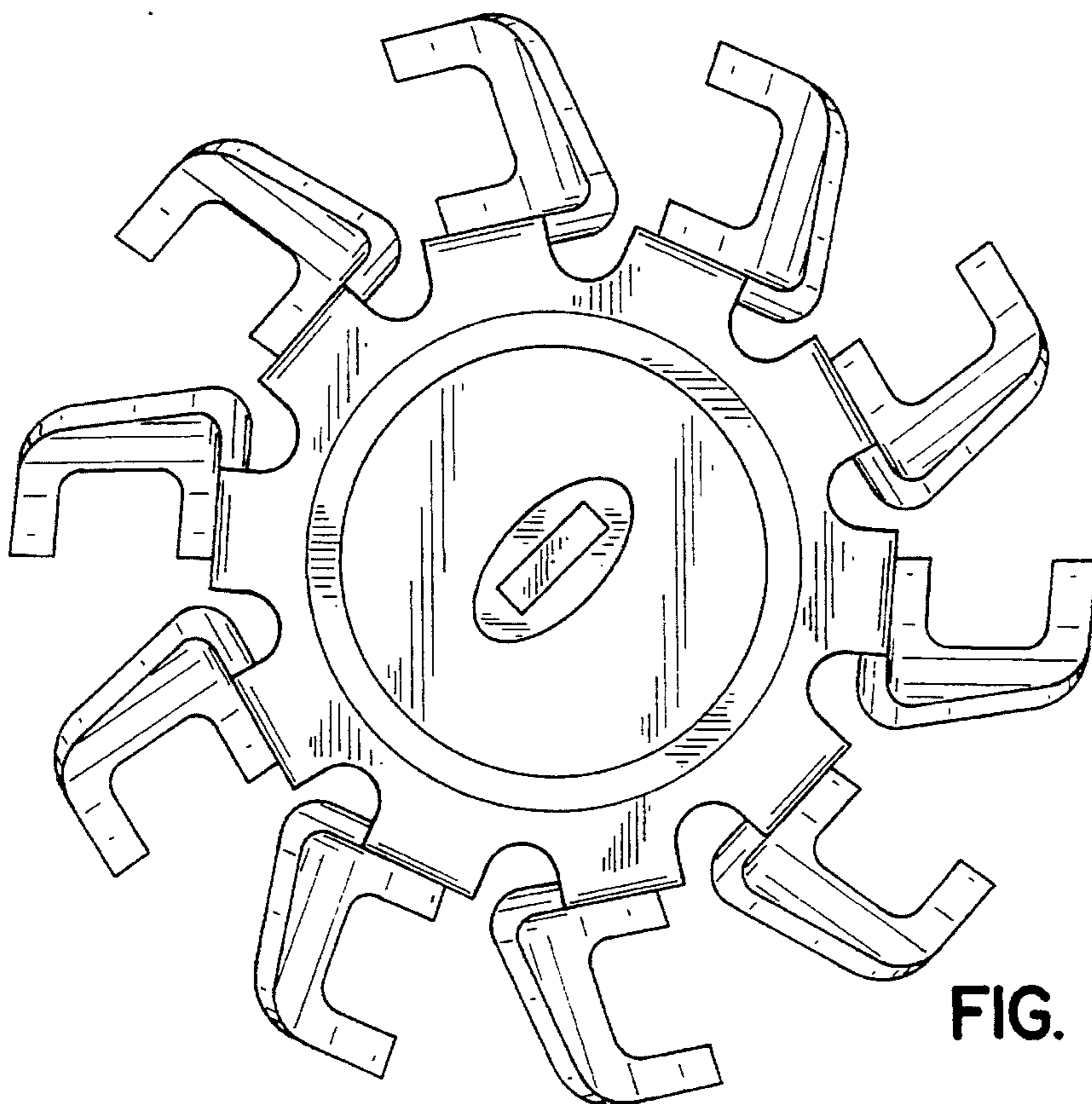


FIG. 5