



US00D365418S

United States Patent [19] Wai

[11] **Patent Number: Des. 365,418**
[45] **Date of Patent: **Dec. 19, 1995**

[54] **COMBINED TRAVEL HAIRDRYER AND IRON DESIGN**

[75] Inventor: **Choi L. Wai**, Kowloon, Hong Kong

[73] Assignee: **Goodway Electrical Co. Ltd.**,
Tokwawan, Hong Kong

[**] Term: **14 Years**

[21] Appl. No.: **335**

[22] Filed: **Oct. 9, 1992**

[30] **Foreign Application Priority Data**

Sep. 14, 1992 [GB] United Kingdom 2025688

[52] **U.S. Cl.** **D28/15**

[58] **Field of Search** D28/13-18; D32/68-70;
34/96-101, 90, 91; 219/249; 392/384-385

[56] **References Cited**

U.S. PATENT DOCUMENTS

D. 265,767	8/1982	Stewart et al.	D28/13
D. 277,613	2/1985	Rittenhouse	D28/13
D. 286,209	10/1986	Hsiang	D32/69
D. 312,323	11/1990	Doyle	D28/13
4,636,613	1/1987	De La Morandiére et al.	34/91 X
4,658,116	4/1987	Tsang	392/385

FOREIGN PATENT DOCUMENTS

1550031	8/1979	United Kingdom	392/384
2211732	7/1989	United Kingdom	34/96

OTHER PUBLICATIONS

- German Application No. M9207456.1, filed Aug. 27, 1992.
- U.K. Application No. 1040790, filed Mar. 17, 1987.
- U.K. Application No. 1057762, filed Mar. 10, 1989.
- U.K. Application No. 2014222, filed Apr. 17, 1991.
- U.K. Application No. 2015874, filed Jul. 9, 1991.
- U.K. Application No. 2016112, filed Jul. 19, 1991.
- U.K. Application No. 2030309, filed Apr. 7, 1993.

- U.K. Application No. 2019383, filed Dec. 5, 1991.
- U.K. Application No. 2019384, filed Dec. 5, 1991.
- "Retailing Home Furnishings", Feb. 14, 1983; p. 33: Jor-dache Fold 'n' Go hairdryer.
- "Hong Kong Enterprise" Jul. 1987; p. 360: hair dryer on lower left.
- "Hong Kong Enterprise" Oct. 1989; ① p. 21: Comb1 iron and hair dryer; ② p. 260: 2 in 1 combo iron and hairdryer.
- "Hong Kong Enterprise" Oct. 1990; p. 21: iron/Blower.

Primary Examiner—Theodore M. Shooman
Assistant Examiner—C. Tuttle
Attorney, Agent, or Firm—Klarquist Sparkman Campbell Leigh & Winston

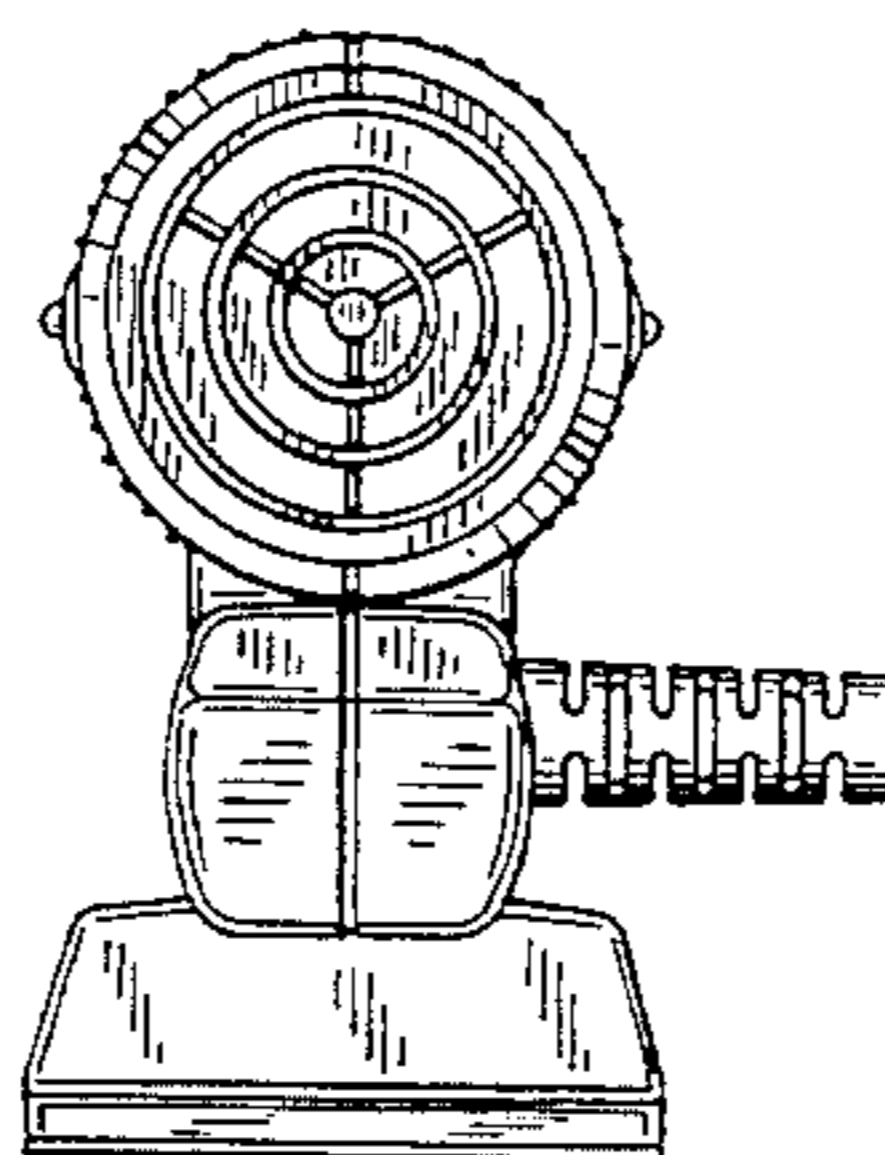
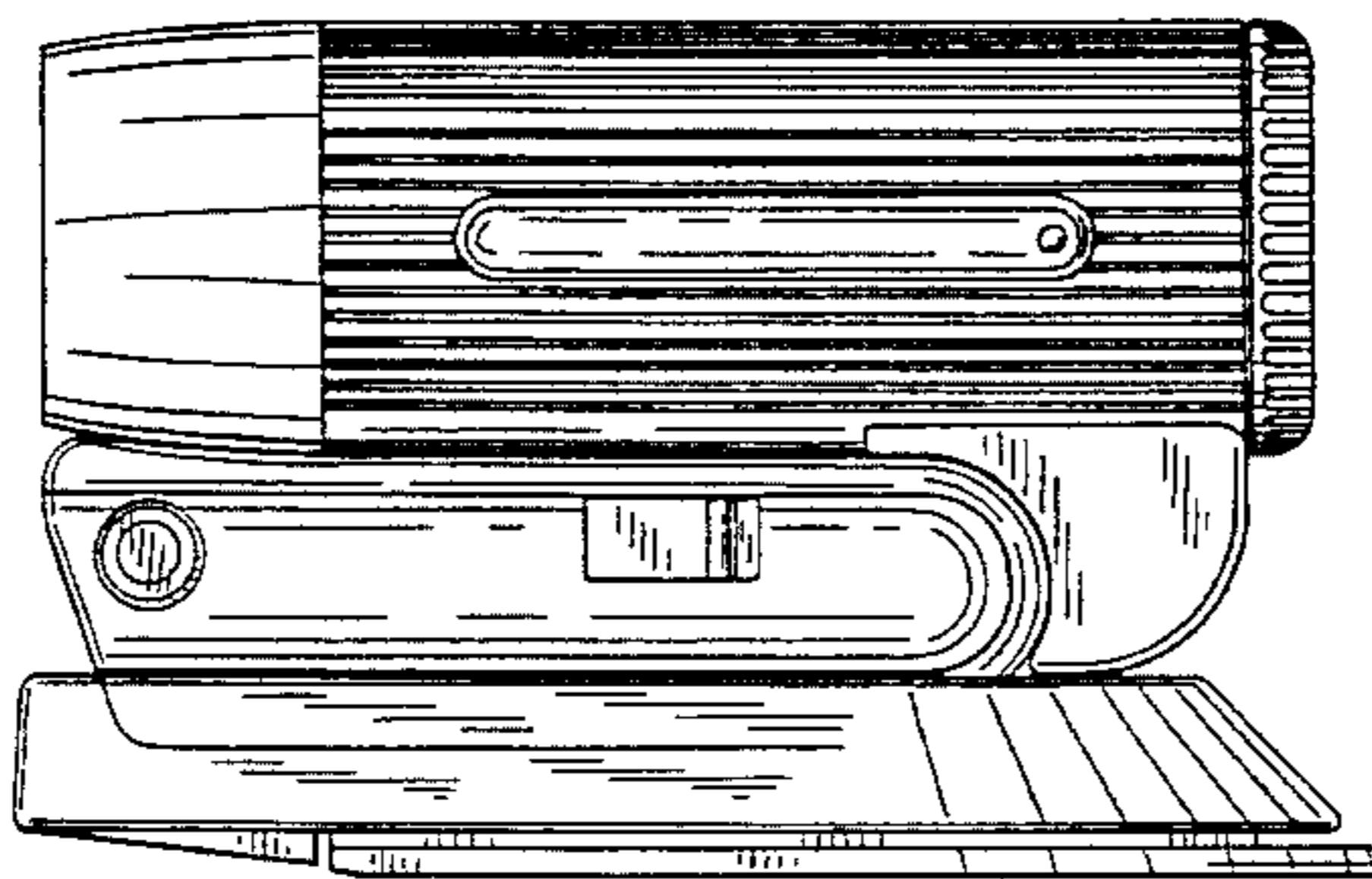
[57] **CLAIM**

The ornamental design for a combined travel hairdryer and iron, as shown and described.

DESCRIPTION

FIG. 1 is a top plan view of a combined travel hairdryer and iron in accordance with the present invention;
 FIG. 2 is a left side elevational view thereof;
 FIG. 3 is a front elevational view thereof;
 FIG. 4 is a rear elevational view thereof;
 FIG. 5 is a bottom plan view thereof;
 FIG. 6 is a right side elevational view thereof;
 FIG. 7 is an exploded perspective view thereof;
 FIG. 8 is a right side elevational view of the iron portion with the dryer portion removed for clarity of illustration;
 FIG. 9 is a left side elevational view of the dryer portion with the handle retracted, and with the iron portion removed for clarity of illustration;
 FIG. 10 is a rear elevational view shown with the handle in an extended position;
 FIG. 11 is a front elevational view thereof;
 FIG. 12 is a right side elevational view thereof; and,
 FIG. 13 is a bottom plan view thereof.

1 Claim, 6 Drawing Sheets



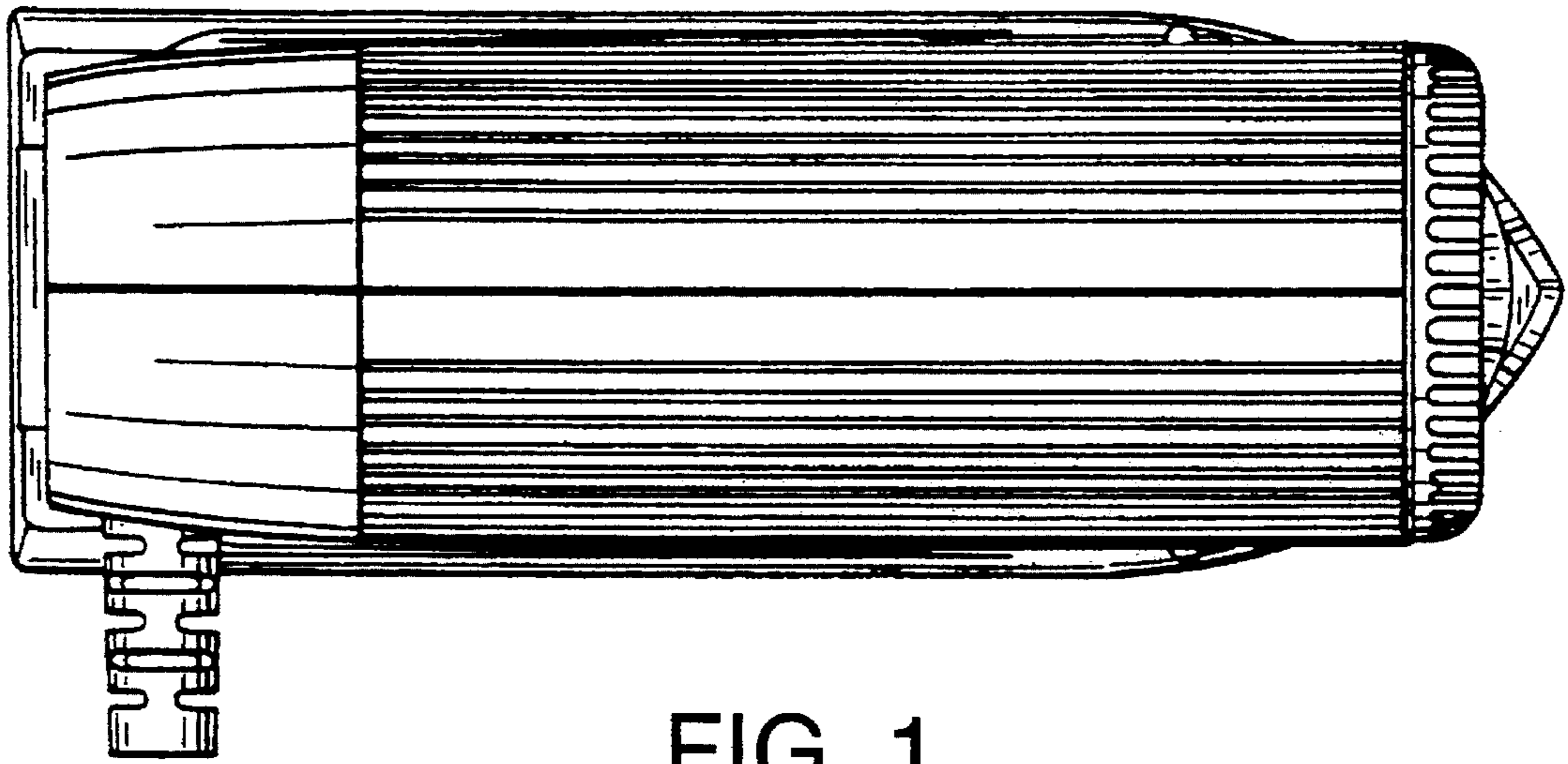


FIG. 1

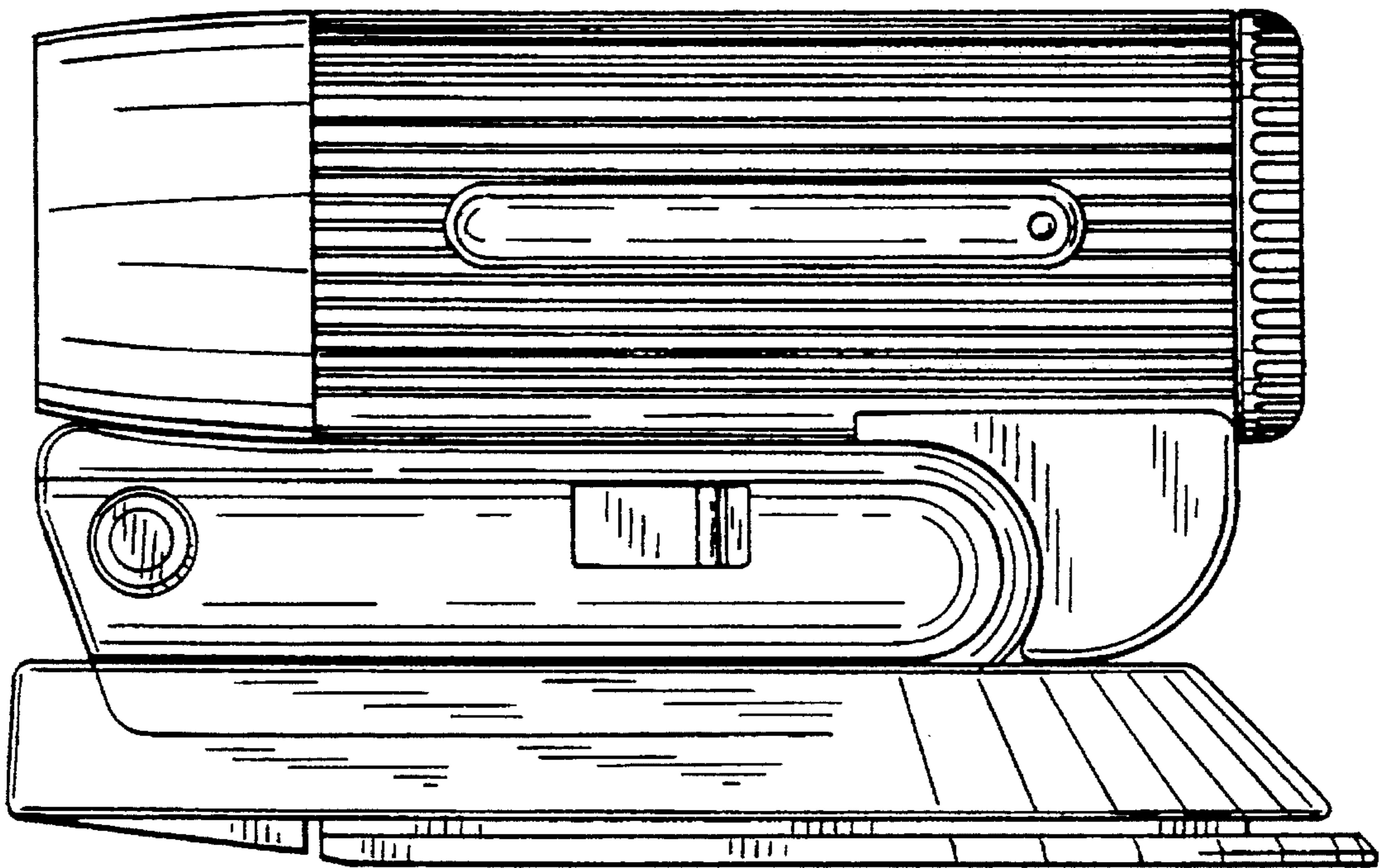


FIG. 2

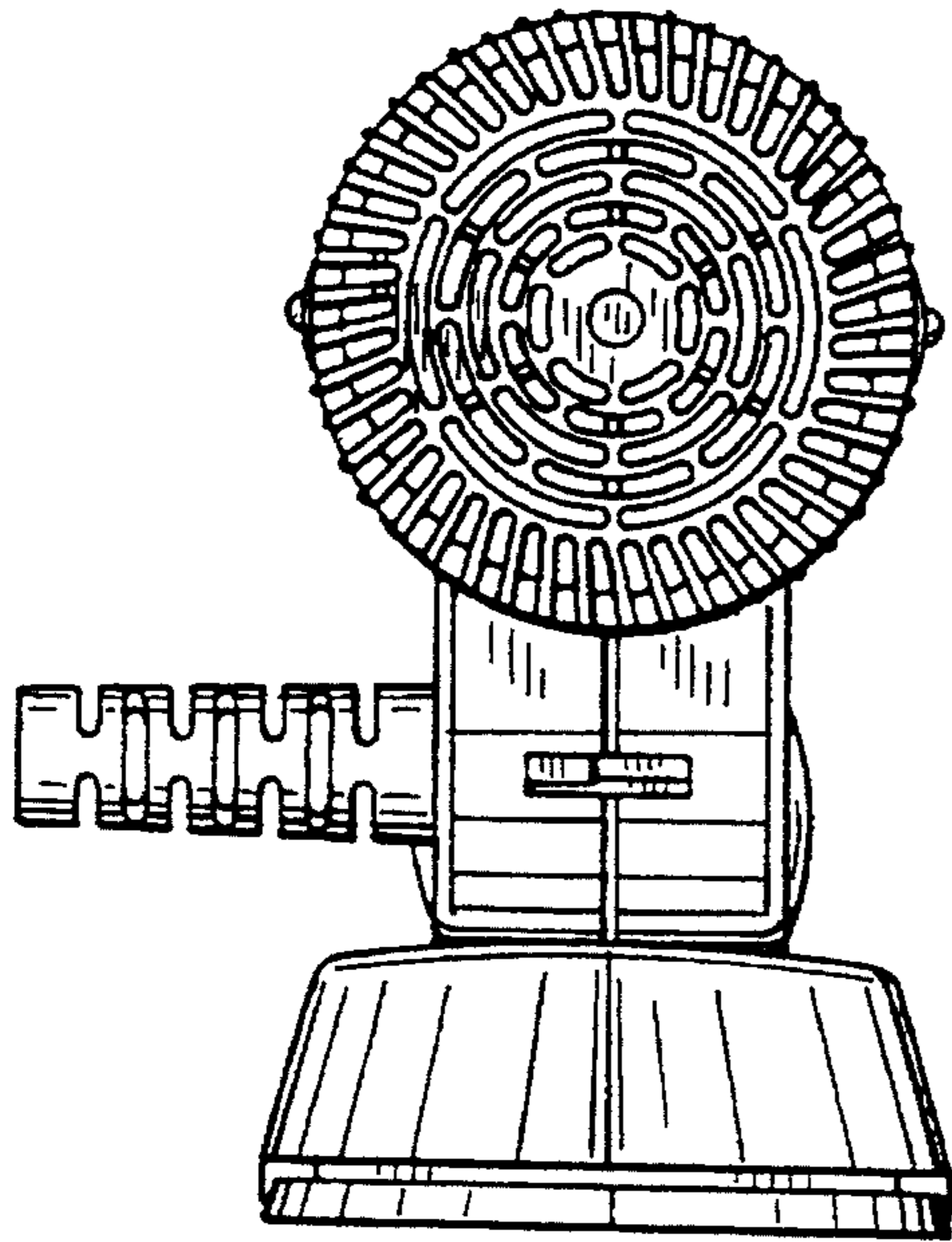


FIG. 3

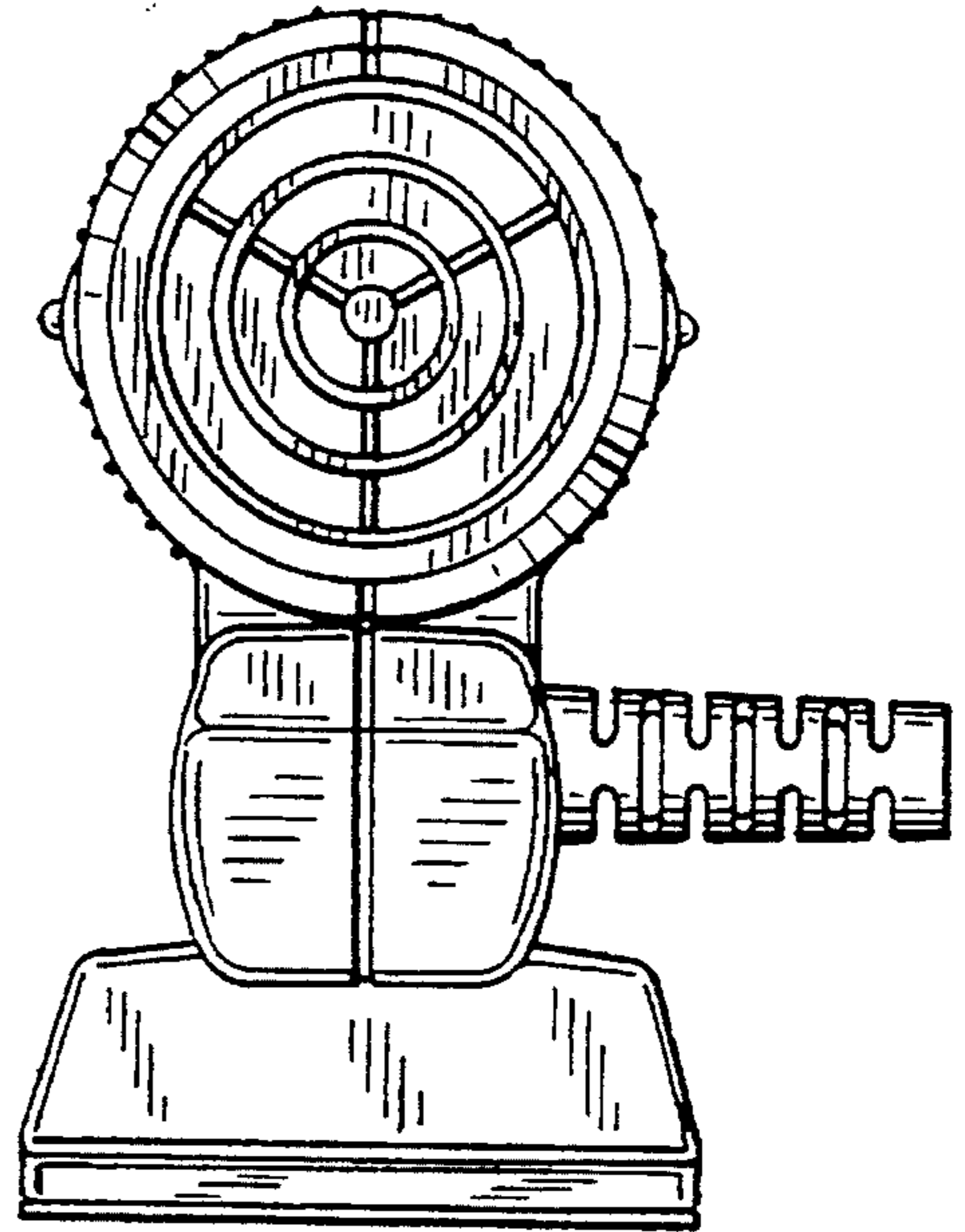


FIG. 4

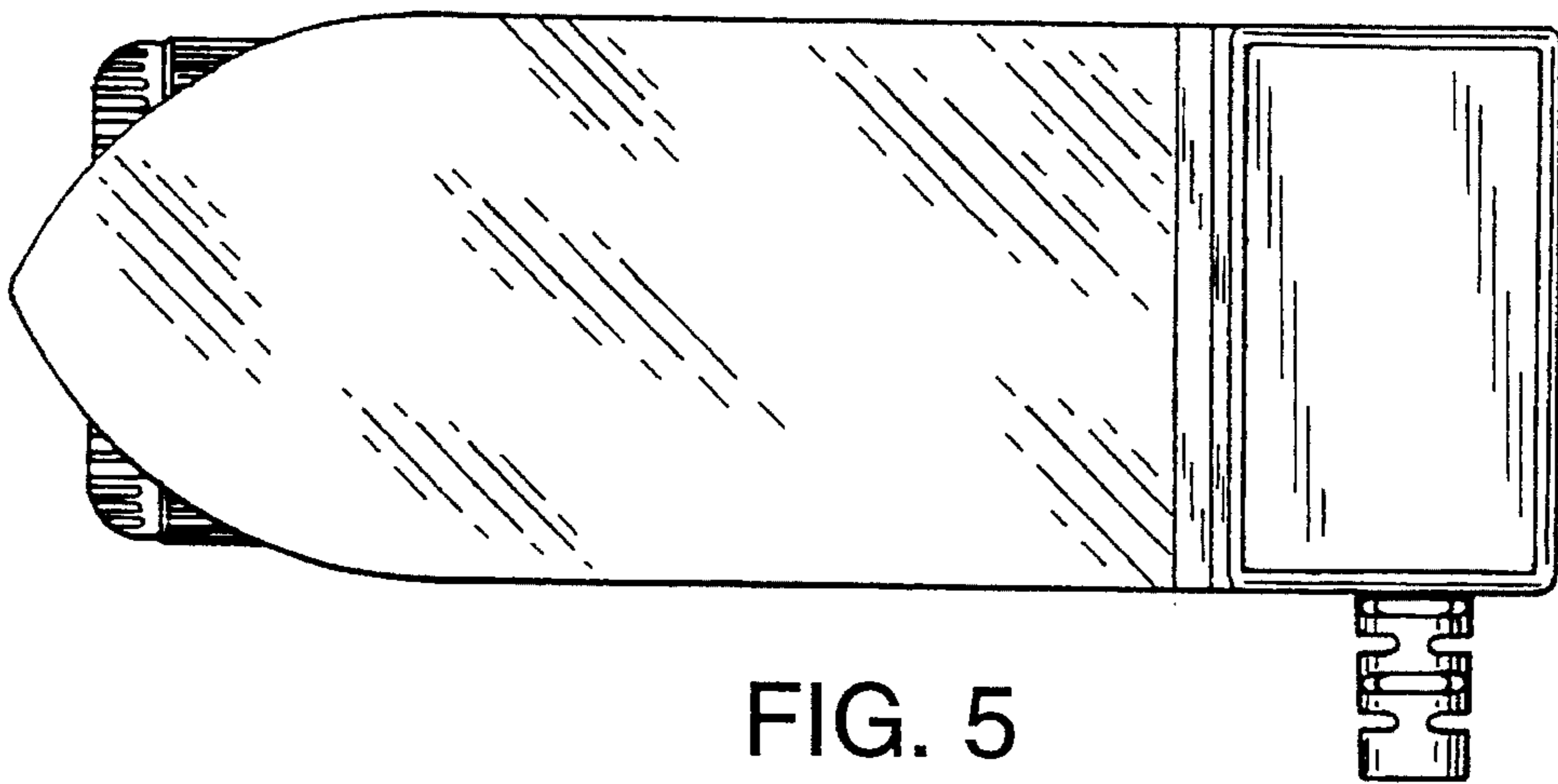


FIG. 5

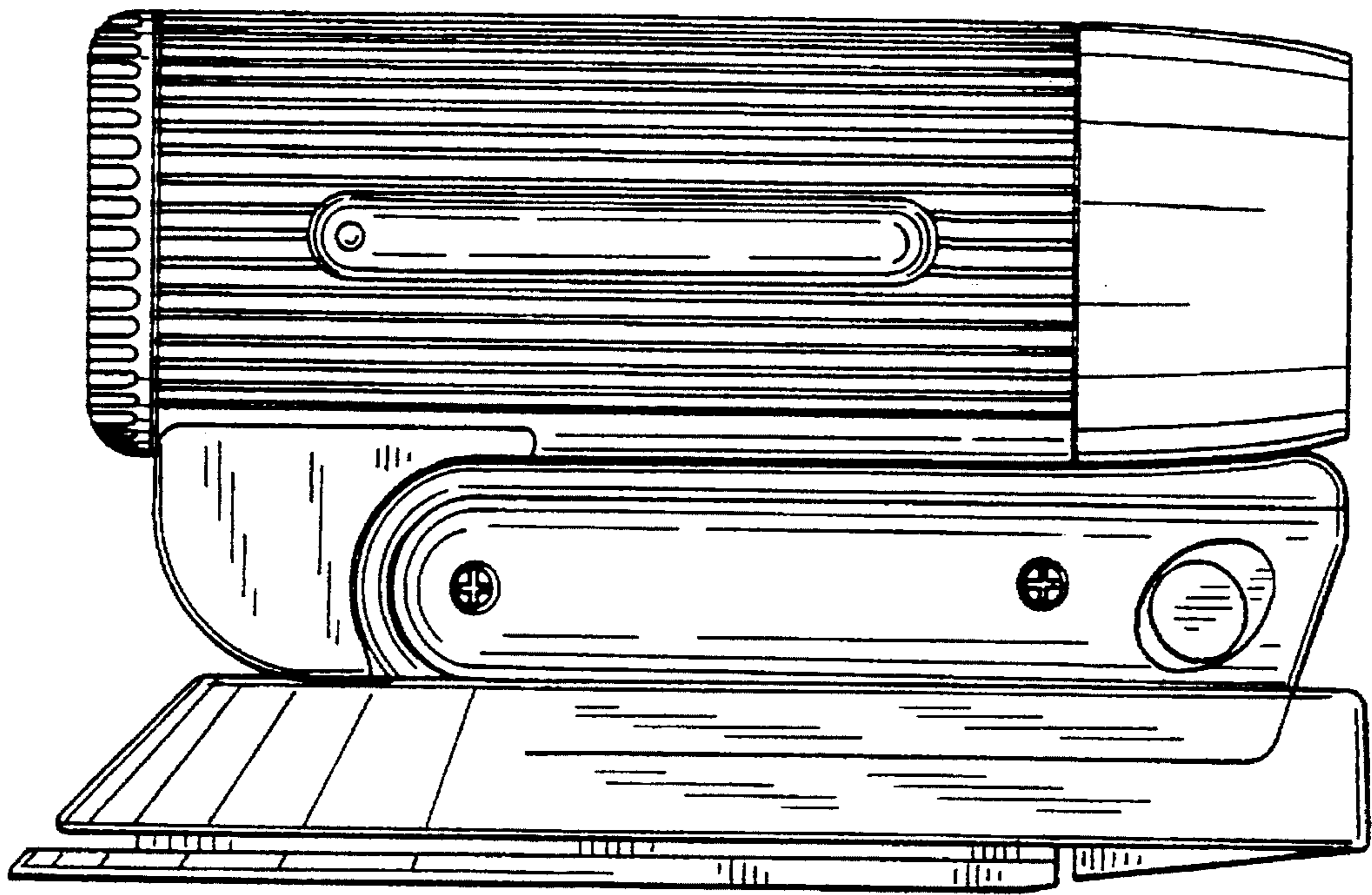


FIG. 6

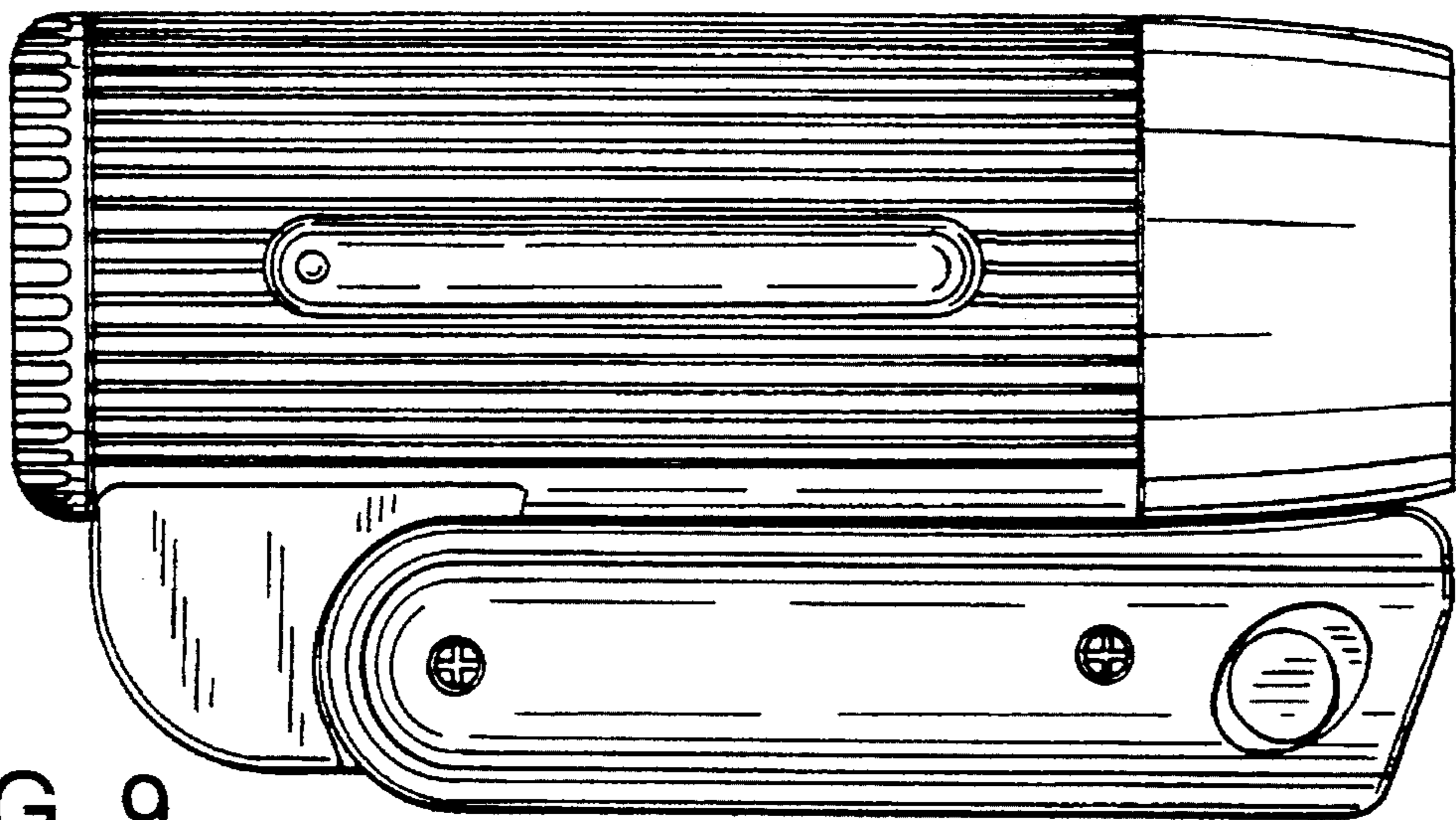


FIG. 9

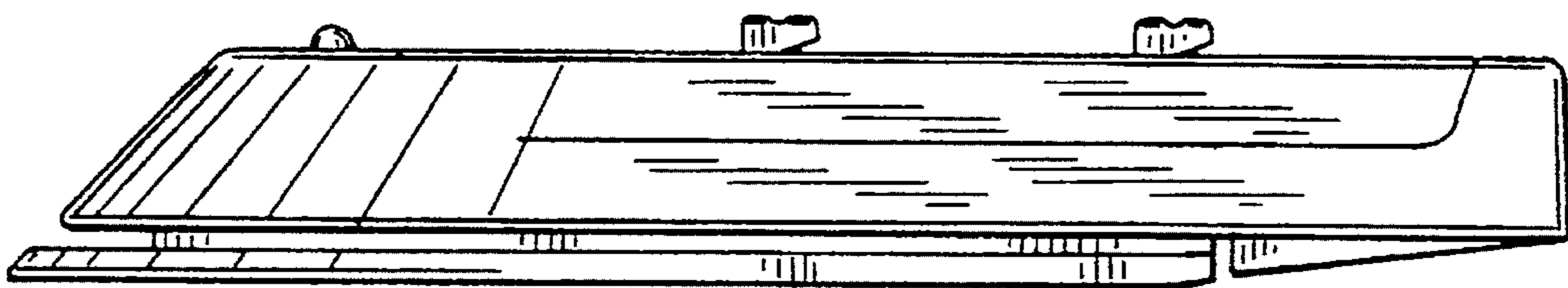


FIG. 8

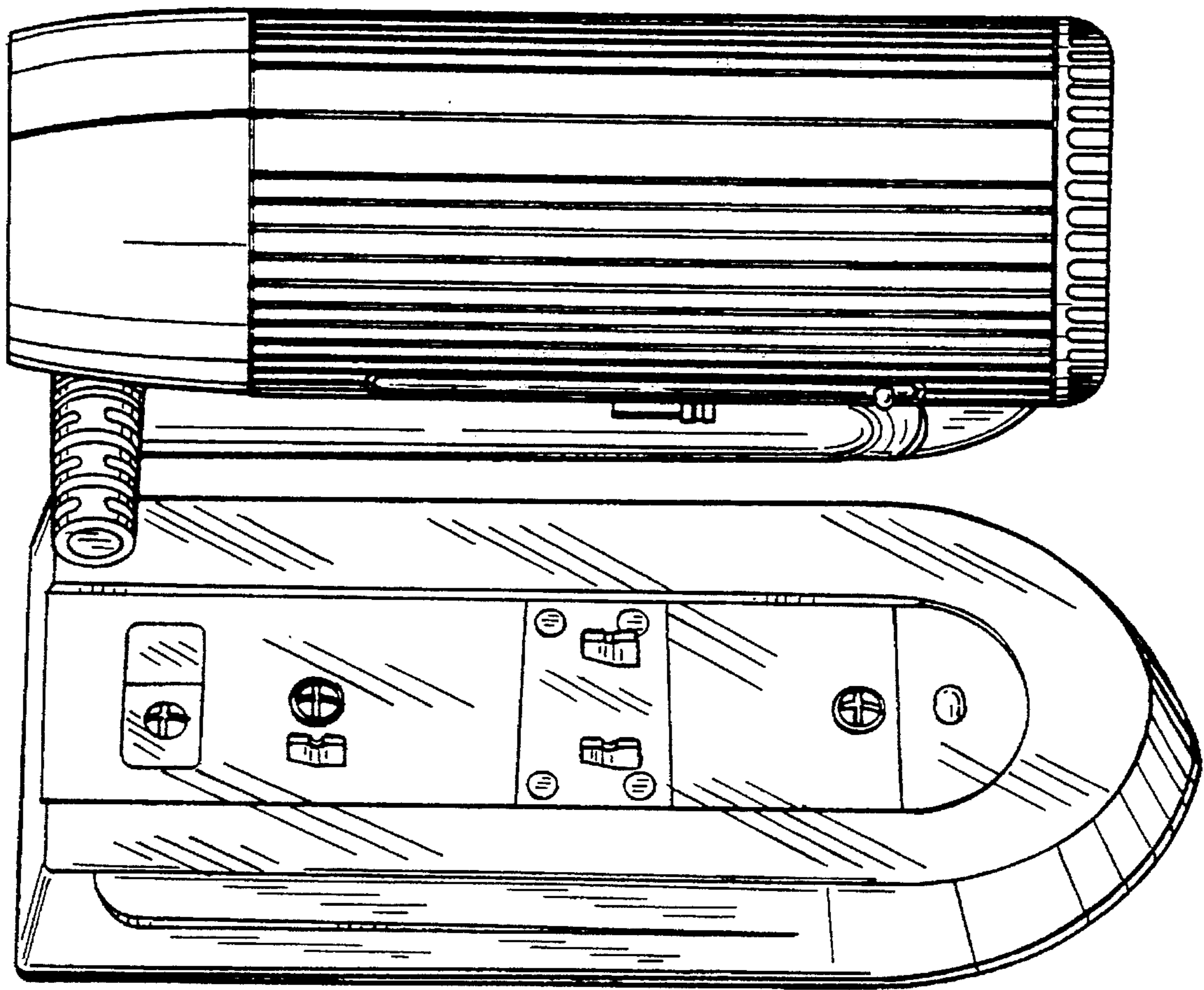


FIG. 7

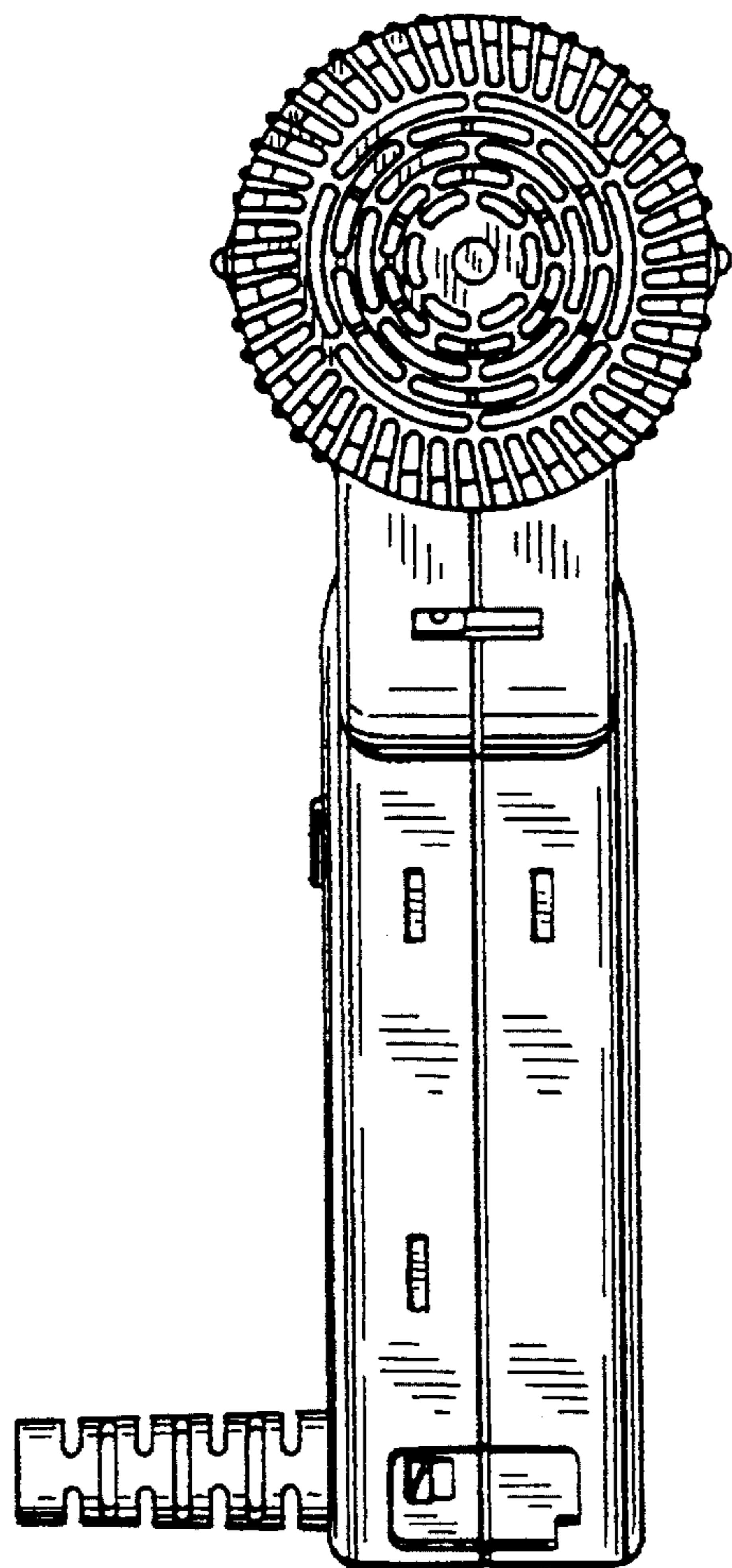


FIG. 10

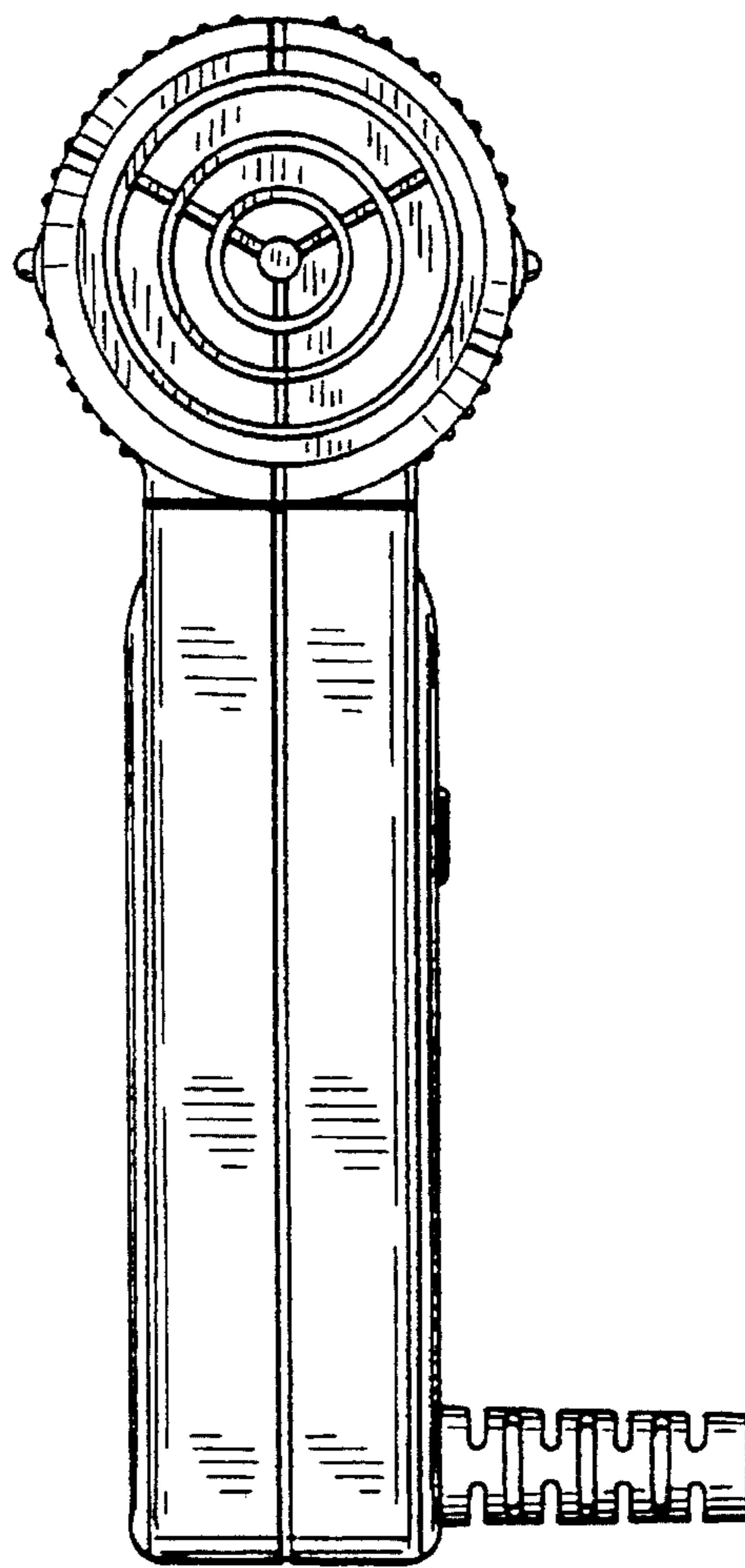


FIG. 11

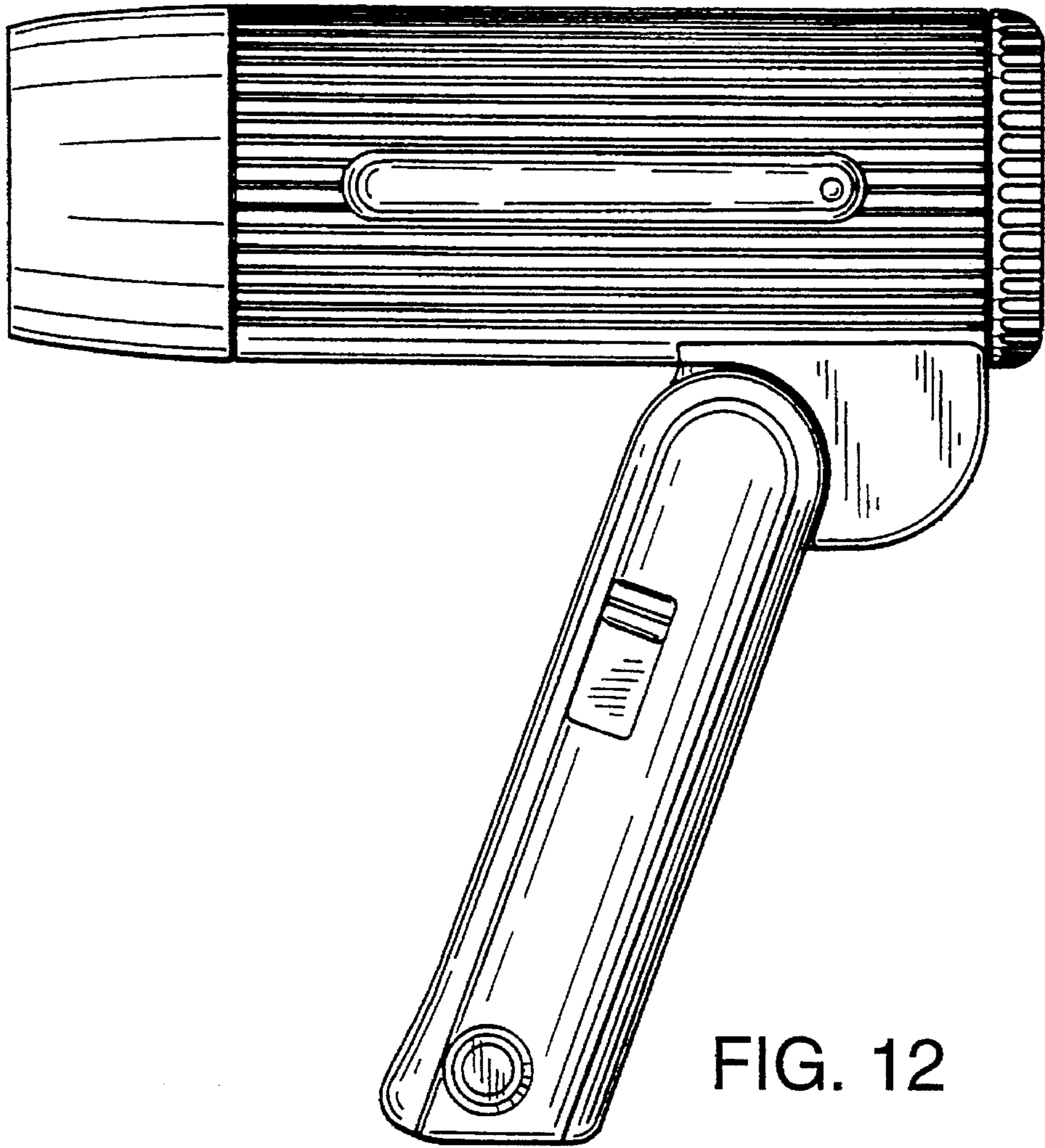


FIG. 12

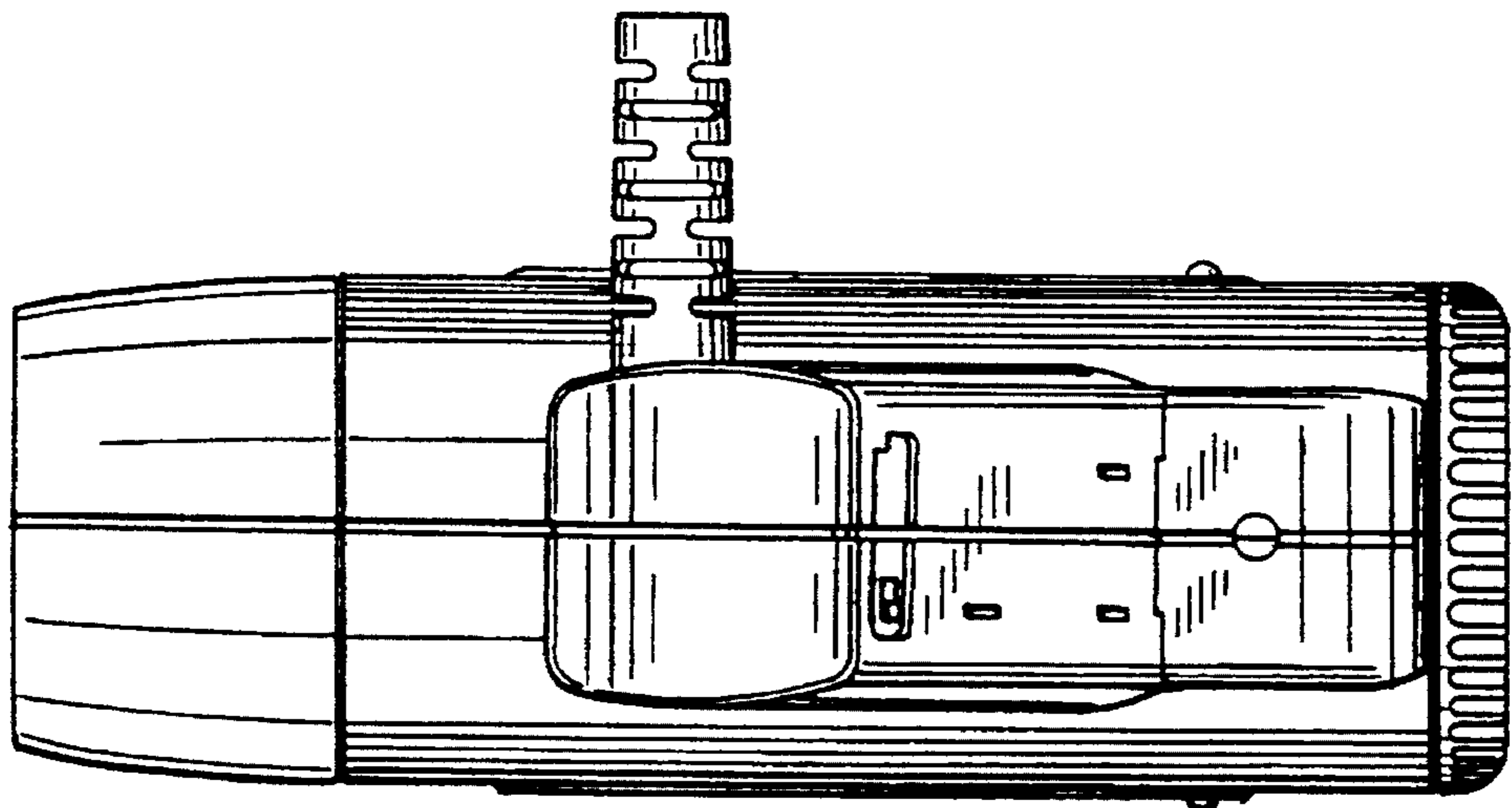


FIG. 13

UNITED STATES PATENT AND TRADEMARK OFFICE
CERTIFICATE OF CORRECTION

PATENT NO. : D 365,418
DATED : December 19, 1995
INVENTOR(S) : Choi Lung Wai

It is certified that error appears in the above-identified patent and that said Letters Patent is hereby corrected as shown below:

Cover Page, Description of Fig. 9, "clarify" should read
--clarity--.

Signed and Sealed this
Twenty-third Day of April, 1996



Attest:

BRUCE LEHMAN

Attesting Officer

Commissioner of Patents and Trademarks