



US00D365408S

# United States Patent [19] Lui

[11] Patent Number: **Des. 365,408**  
[45] Date of Patent: **\*\*Dec. 19, 1995**

[54] **FLOODLIGHT** 4,413,312 11/1983 Morkosky, Sr. et al. .... 362/269  
5,205,645 4/1993 Lee ..... 362/427 X

[75] Inventor: **Tat N. Lui**, Hong Kong, Hong Kong

[73] Assignee: **Choon Nang Electrical Appliance Mfty., Ltd.**, Hong Kong

[\*\*] Term: **14 Years**

[21] Appl. No.: **30,595**

[22] Filed: **Nov. 3, 1994**

[30] **Foreign Application Priority Data**

May 11, 1994 [GB] United Kingdom ..... 2038983

[52] **U.S. Cl.** ..... **D26/63**

[58] **Field of Search** ..... D26/61, 63, 65;  
362/269, 275, 282, 285, 418, 419, 427

*Primary Examiner*—Susan J. Lucas  
*Attorney, Agent, or Firm*—Gunn, Lee & Miller

### [57] CLAIM

The ornamental design for a floodlight, as shown and described.

### DESCRIPTION

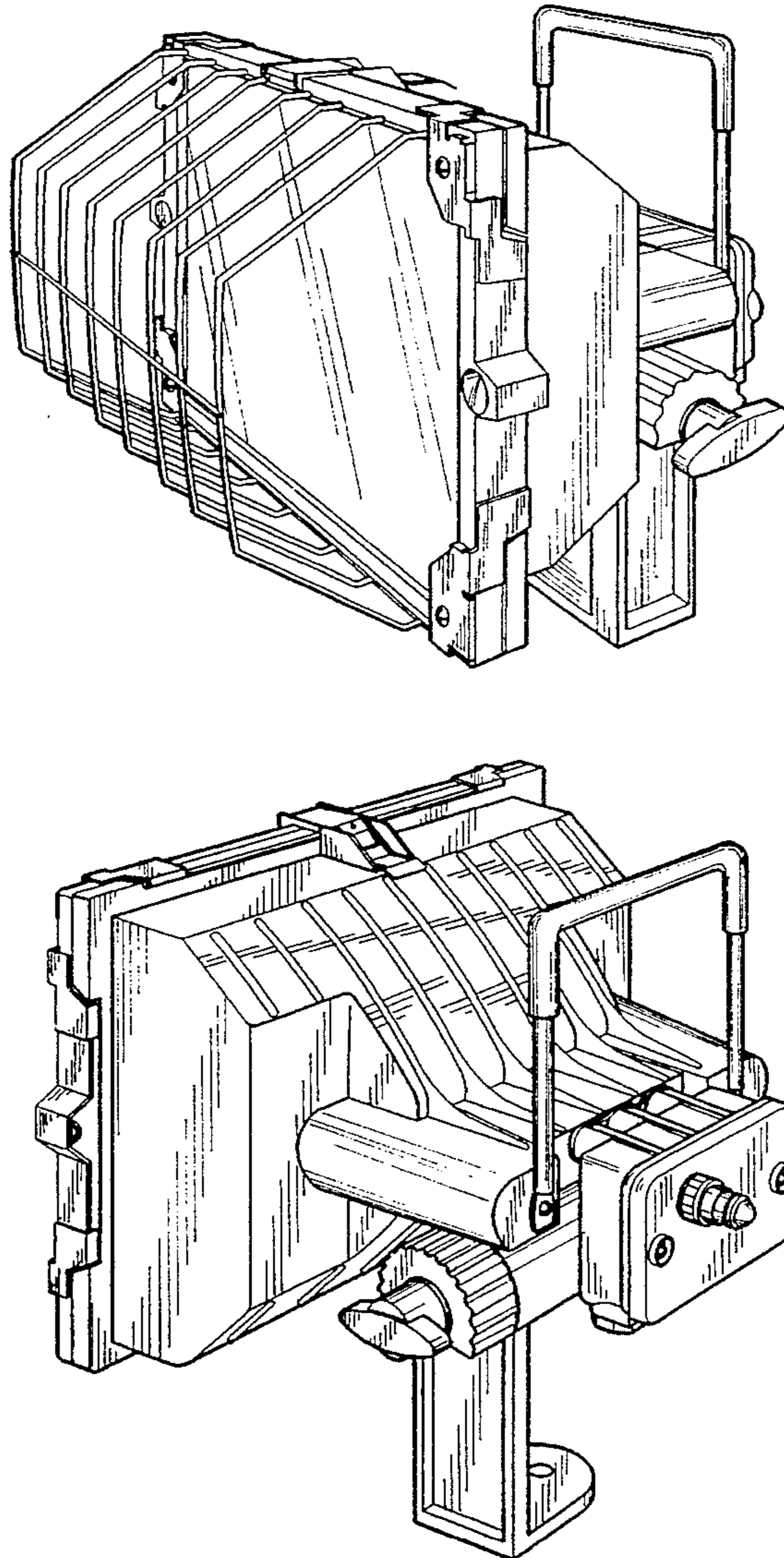
FIG. 1 is a front, top and right side perspective view of a floodlight showing my new design;  
FIG. 2 is a rear, top and right side perspective view thereof;  
FIG. 3 is a right side elevational view thereof;  
FIG. 4 is a left side elevational view thereof;  
FIG. 5 is a top plan view thereof;  
FIG. 6 is a front elevational view thereof;  
FIG. 7 is a rear elevational view thereof; and,  
FIG. 8 is a bottom plan view thereof.

### [56] References Cited

#### U.S. PATENT DOCUMENTS

2,907,870 10/1959 Calmes ..... 362/269 X

**1 Claim, 4 Drawing Sheets**



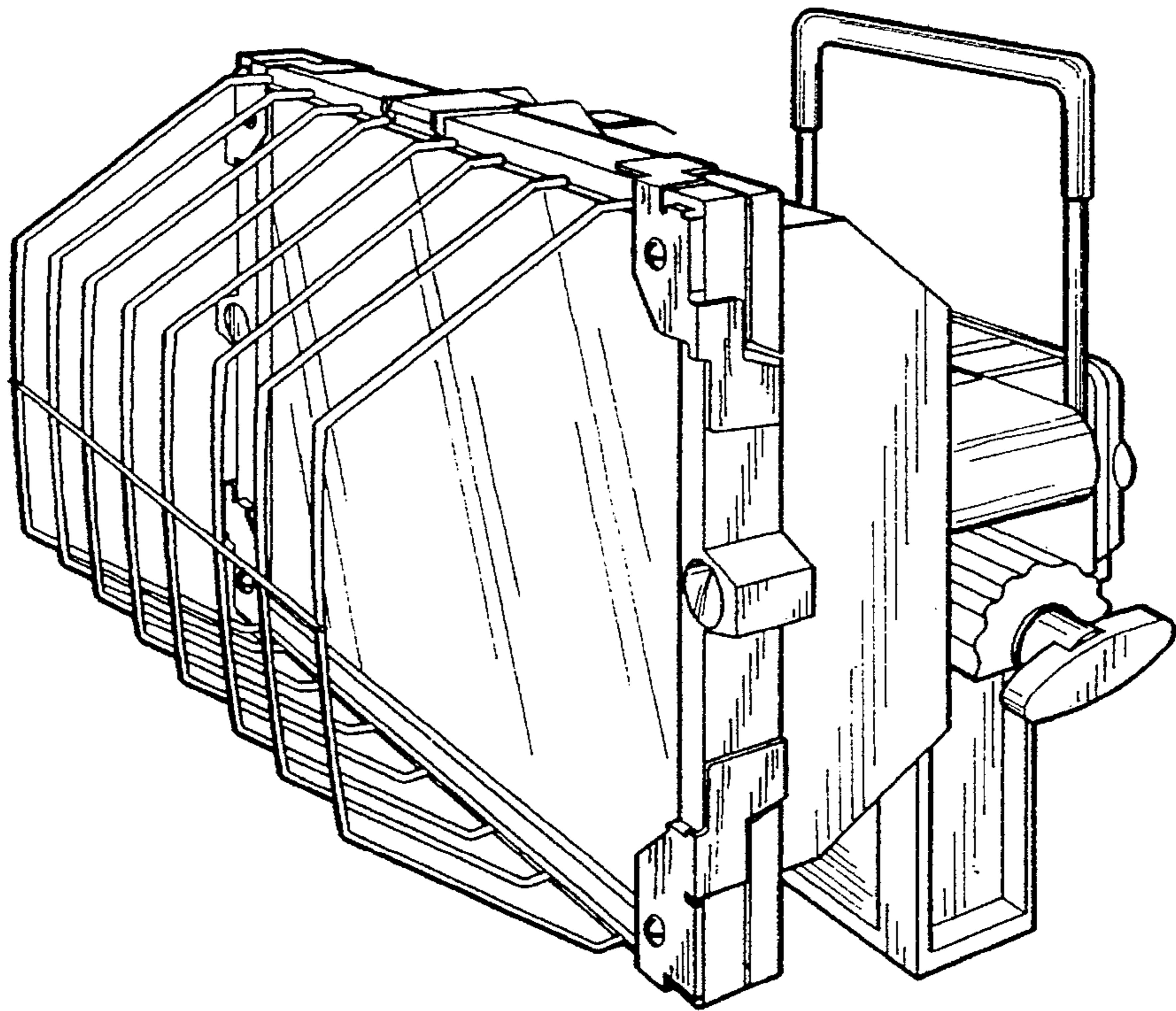


FIG. 1

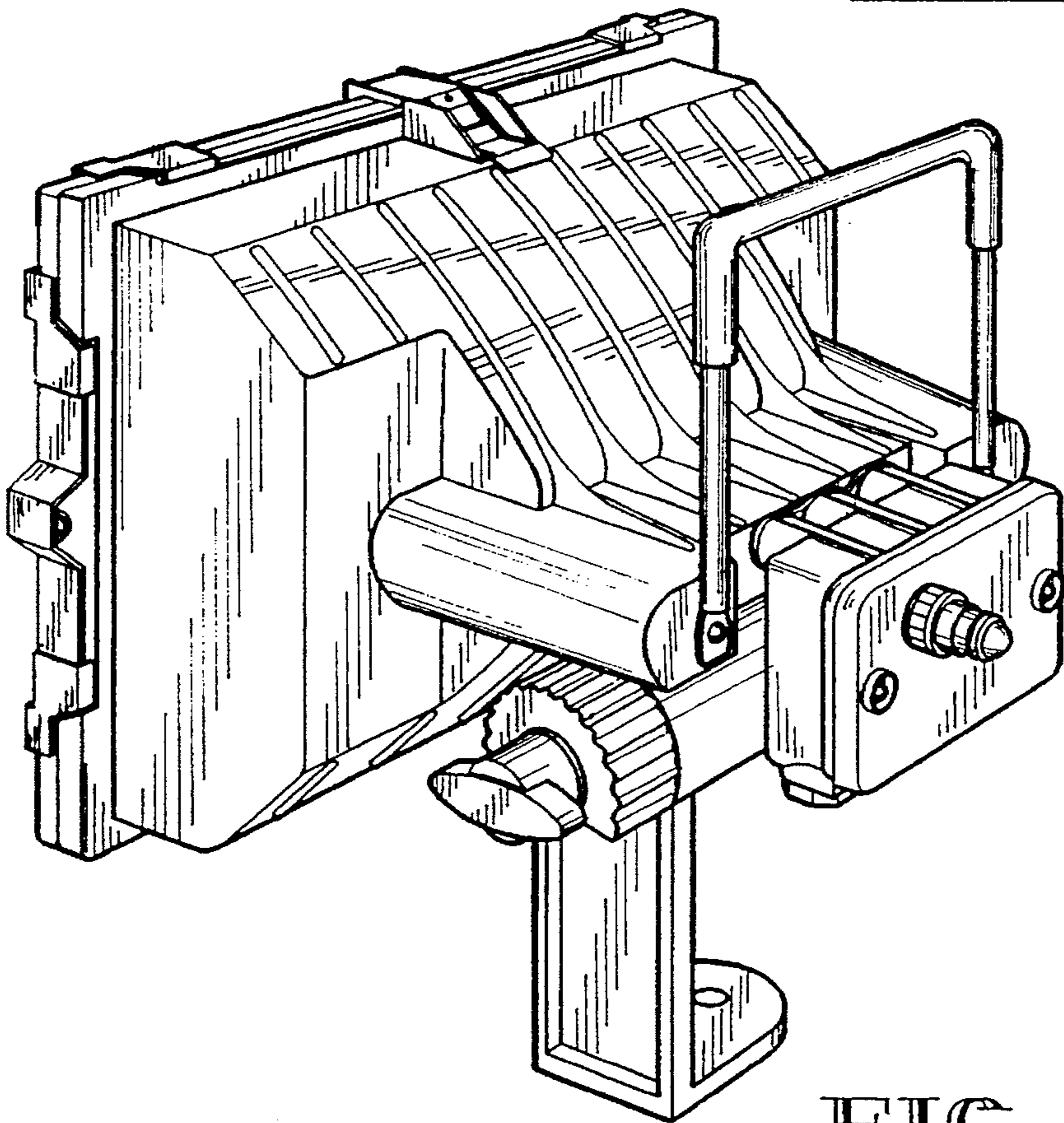


FIG. 2



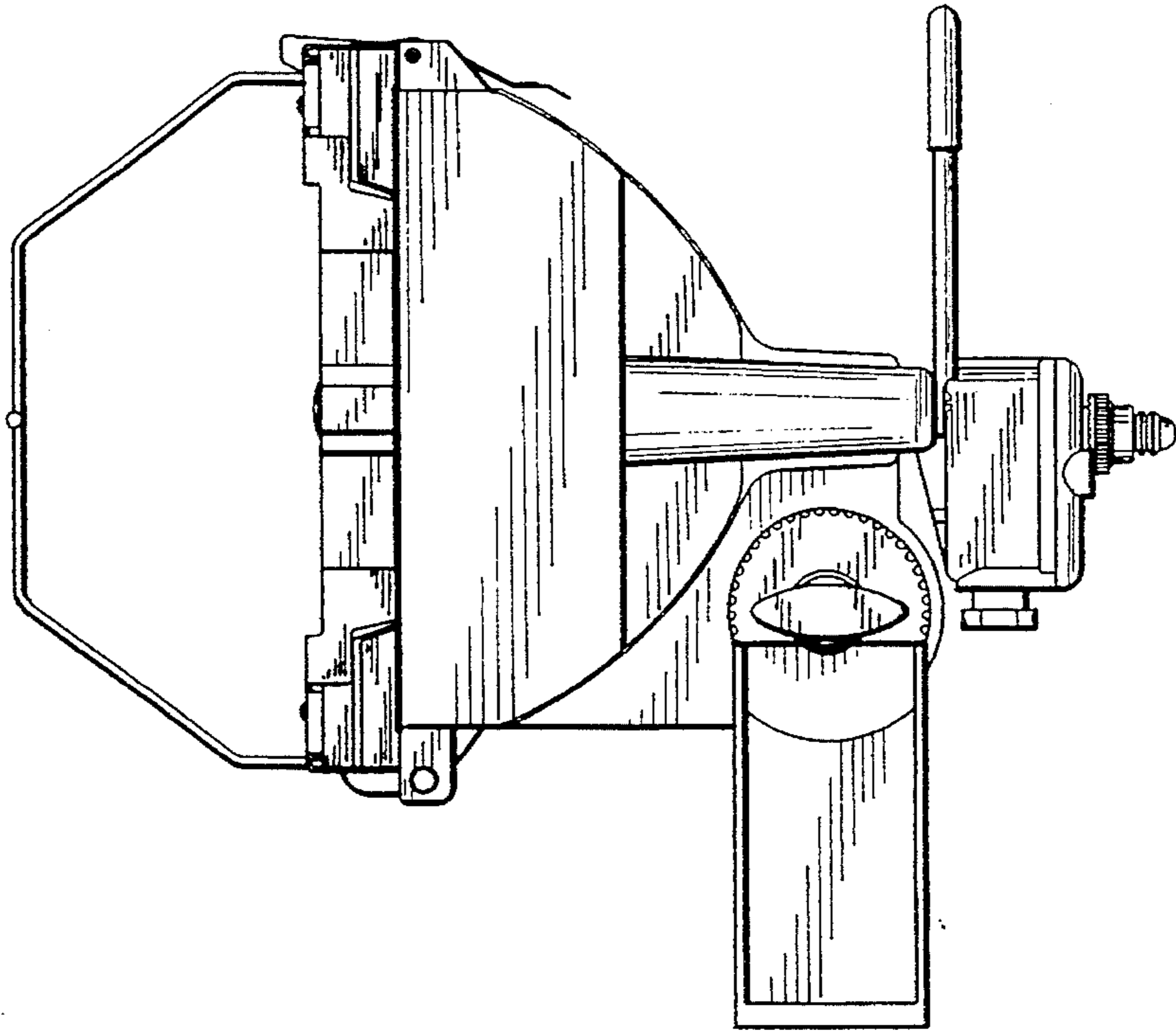


FIG. 3

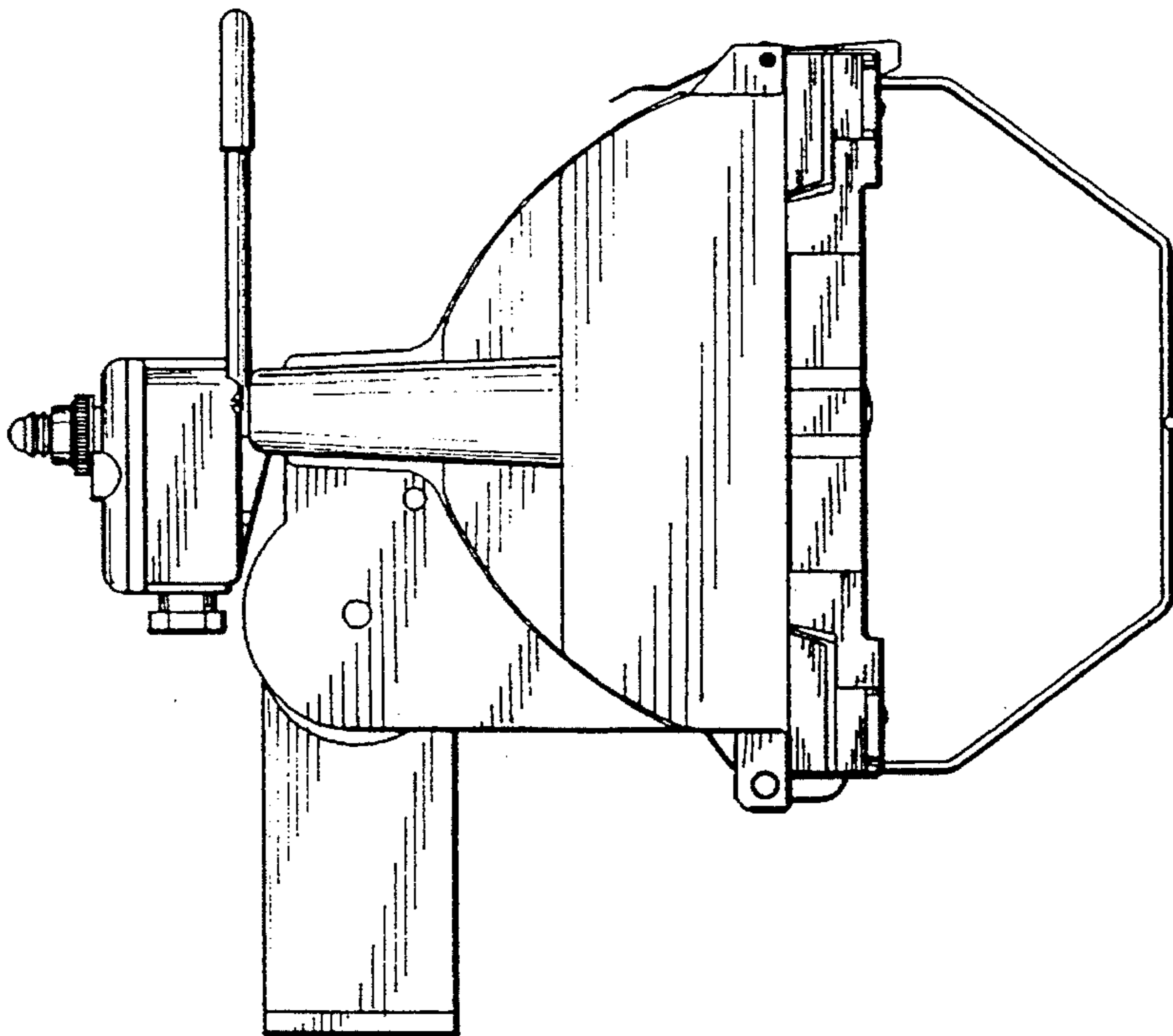


FIG. 4

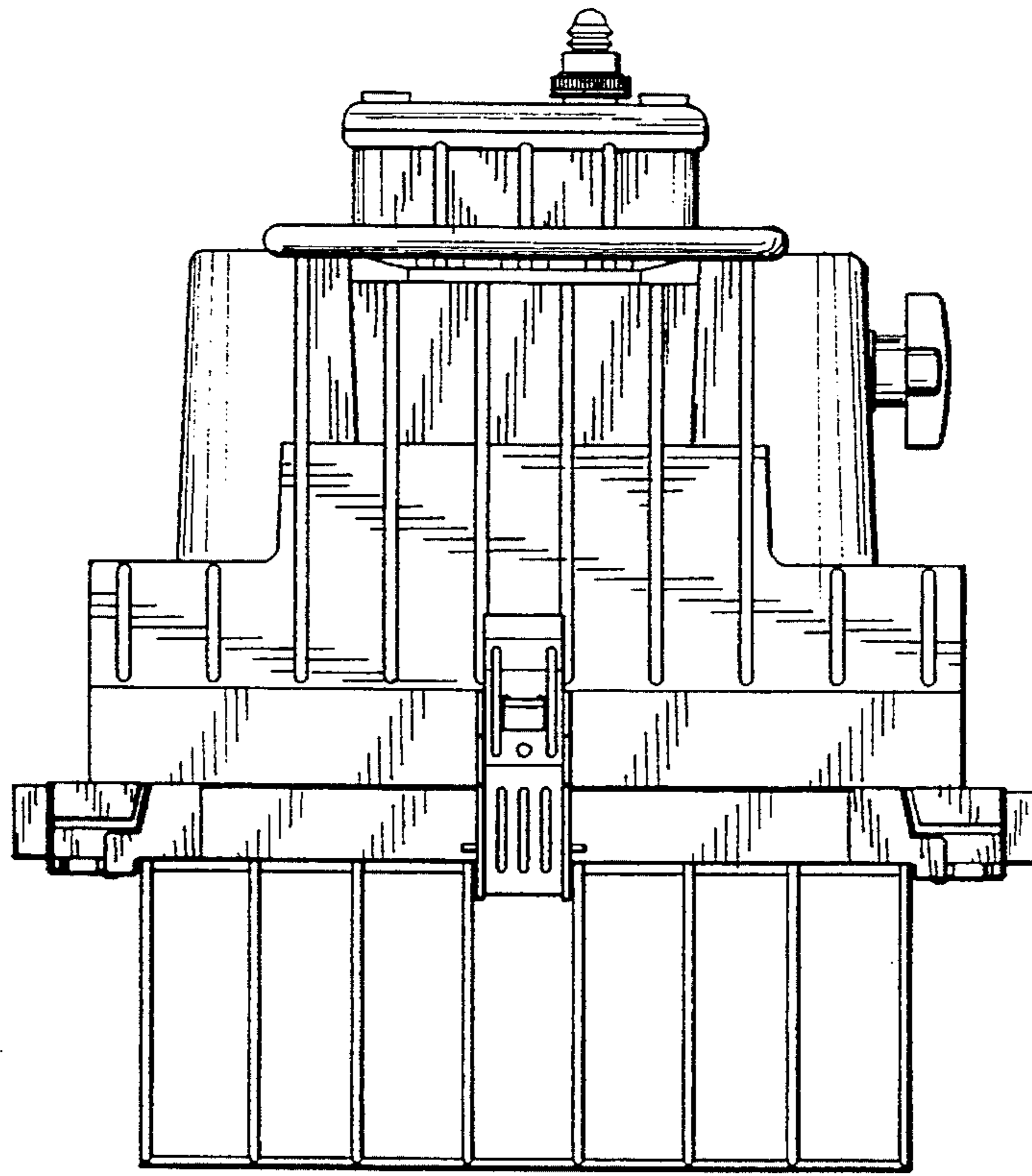


FIG. 5

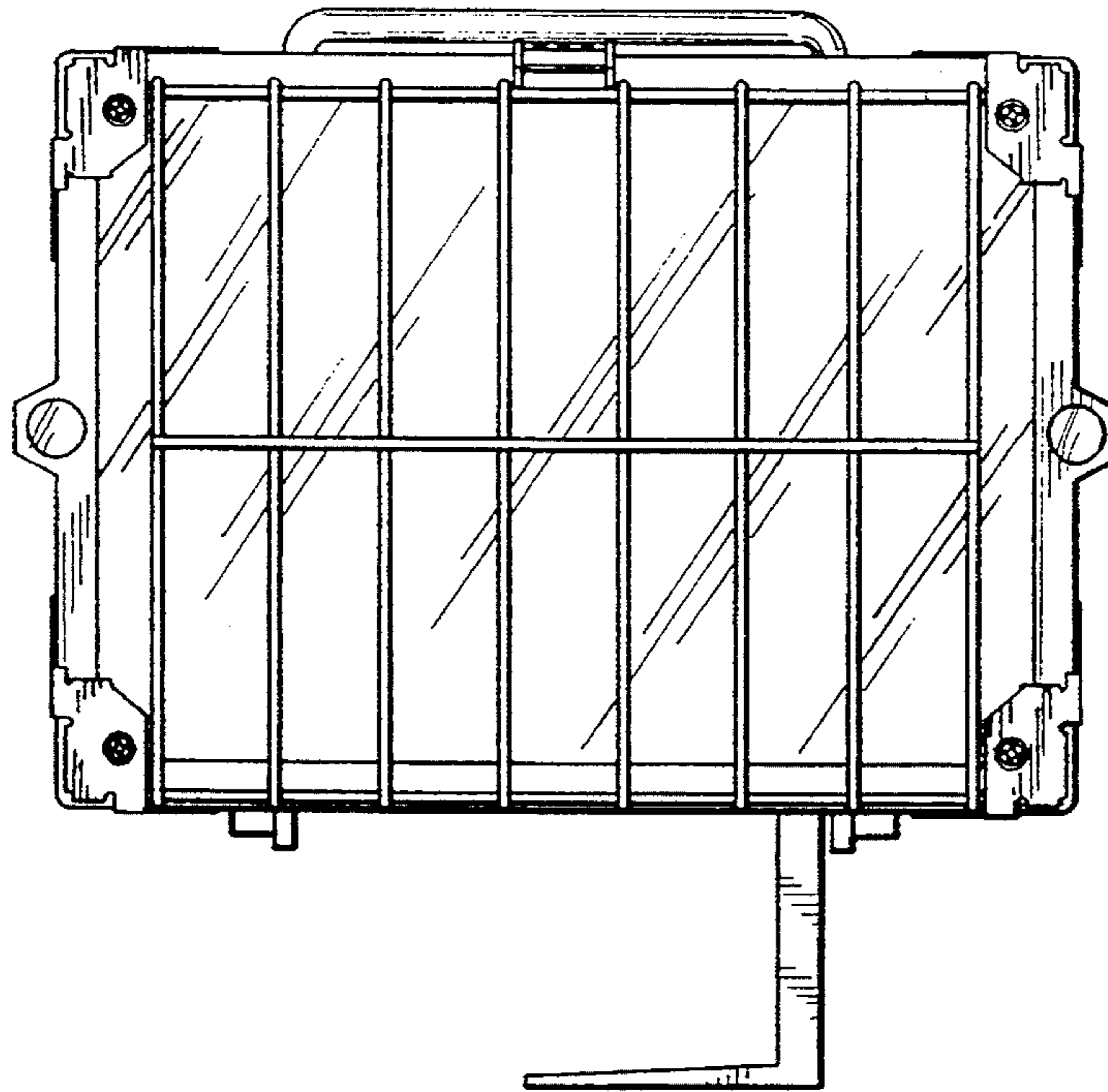


FIG. 6

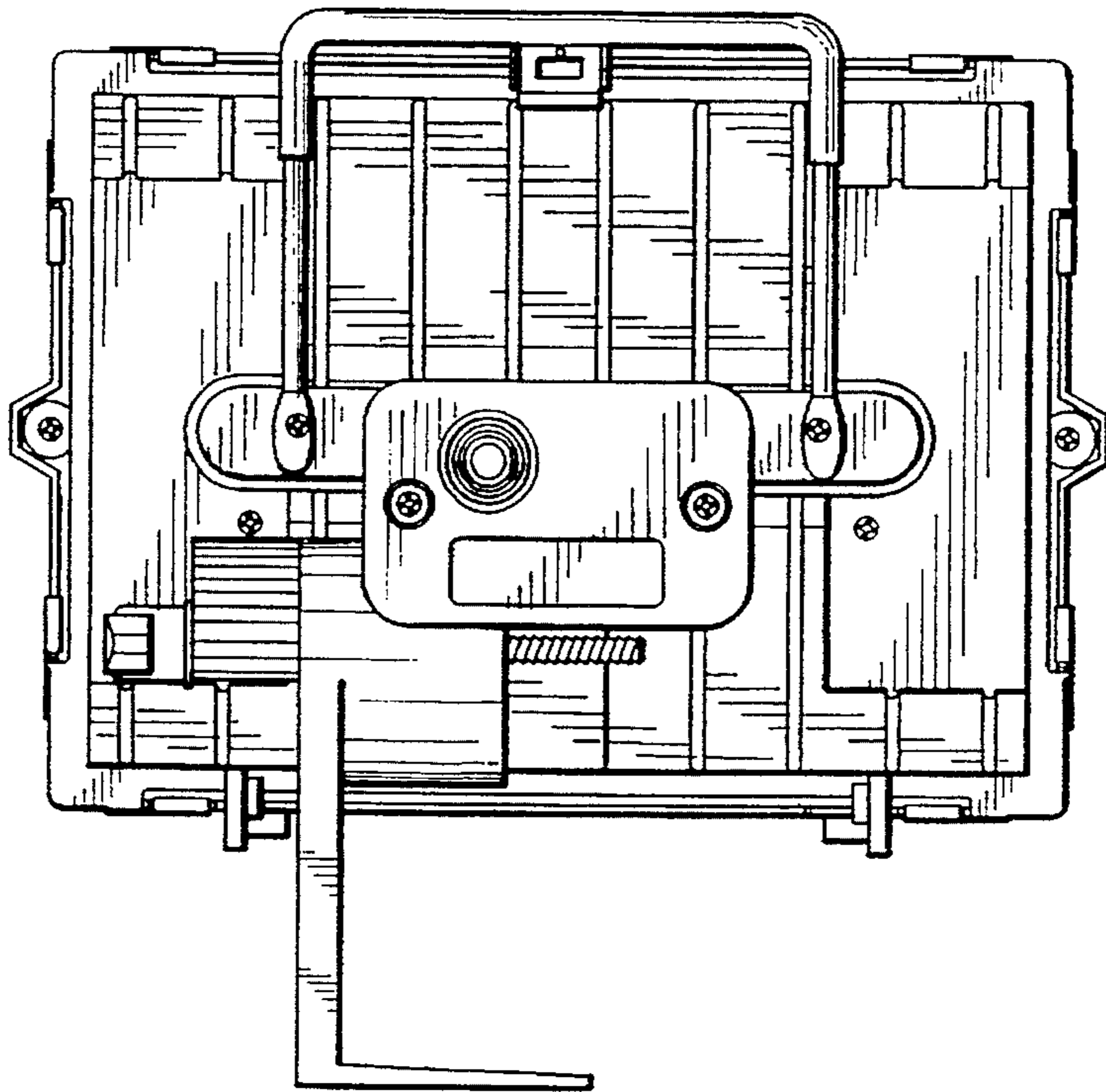


FIG. 7

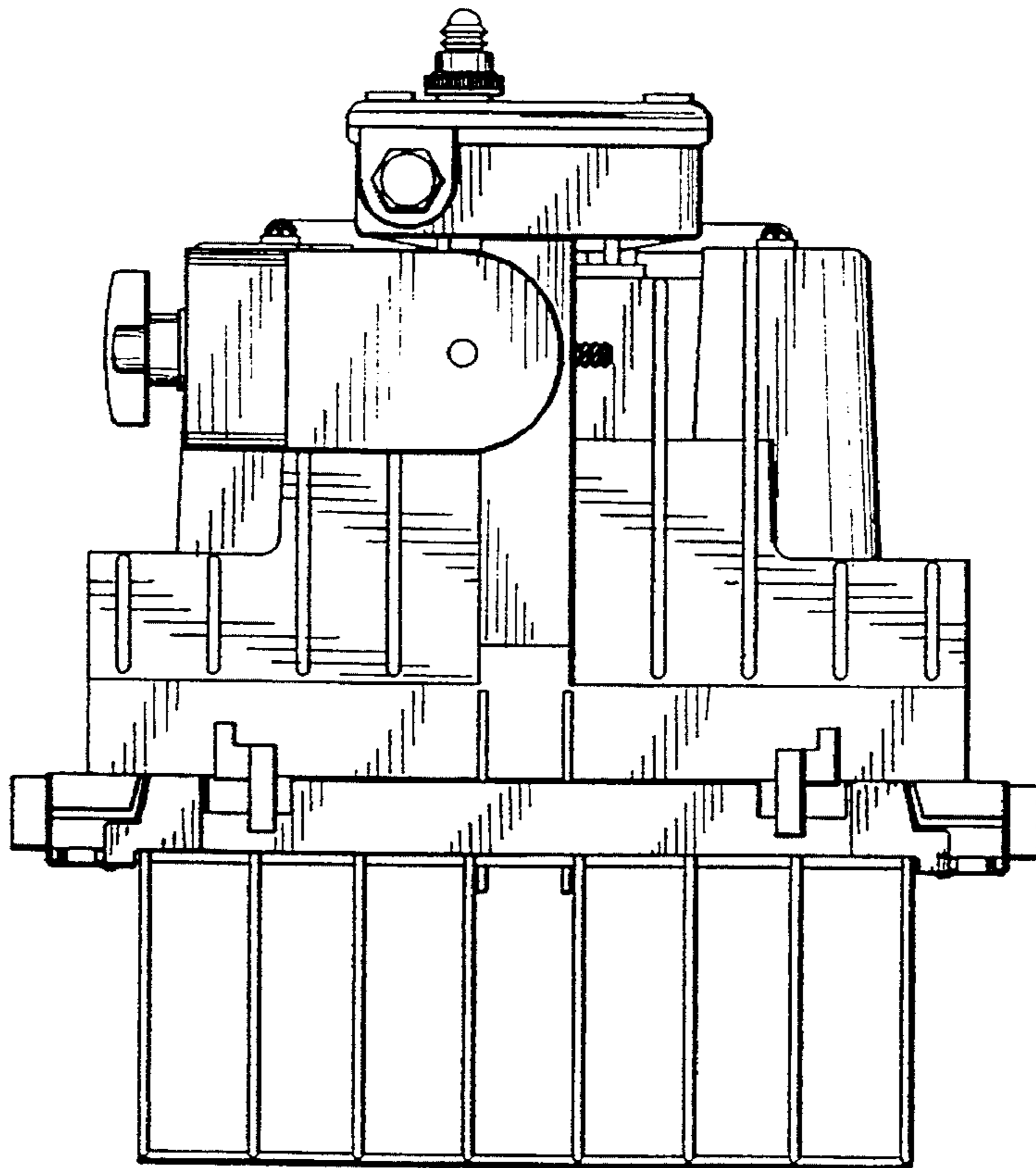


FIG. 8