



US00D365407S

# United States Patent [19]

Jandrisits et al.

[11] Patent Number: **Des. 365,407**

[45] Date of Patent: **\*\*Dec. 19, 1995**

[54] **UNIVERSAL TRACK LAMPHOLDER**

[75] Inventors: **Alice M. Jandrisits**, Schaumburg;  
**Giacinto C. D'Ercoli**, Rolling Meadows, both of Ill.

[73] Assignee: **Cooper Industries, Inc.**, Houston, Tex.

[\*\*] Term: **14 Years**

[21] Appl. No.: **12,984**

[22] Filed: **Sep. 15, 1993**

[52] U.S. Cl. .... **D26/63**

[58] Field of Search ..... D26/61, 63, 65;  
362/269, 275, 282, 285, 418, 419, 427,  
421

[56] **References Cited**

**U.S. PATENT DOCUMENTS**

D. 316,156 4/1991 Gecchelin ..... D26/63  
D. 317,213 5/1991 Gecchelin ..... D26/63

**FOREIGN PATENT DOCUMENTS**

266167 3/1966 Australia ..... 362/418

*Primary Examiner*—Susan J. Lucas

*Attorney, Agent, or Firm*—Burns, Doane, Swecker & Mathis

[57] **CLAIM**

The ornamental design for a universal track lampholder, as shown and described.

**DESCRIPTION**

FIG. 1 is a front elevational view of a universal track lampholder showing our new design;

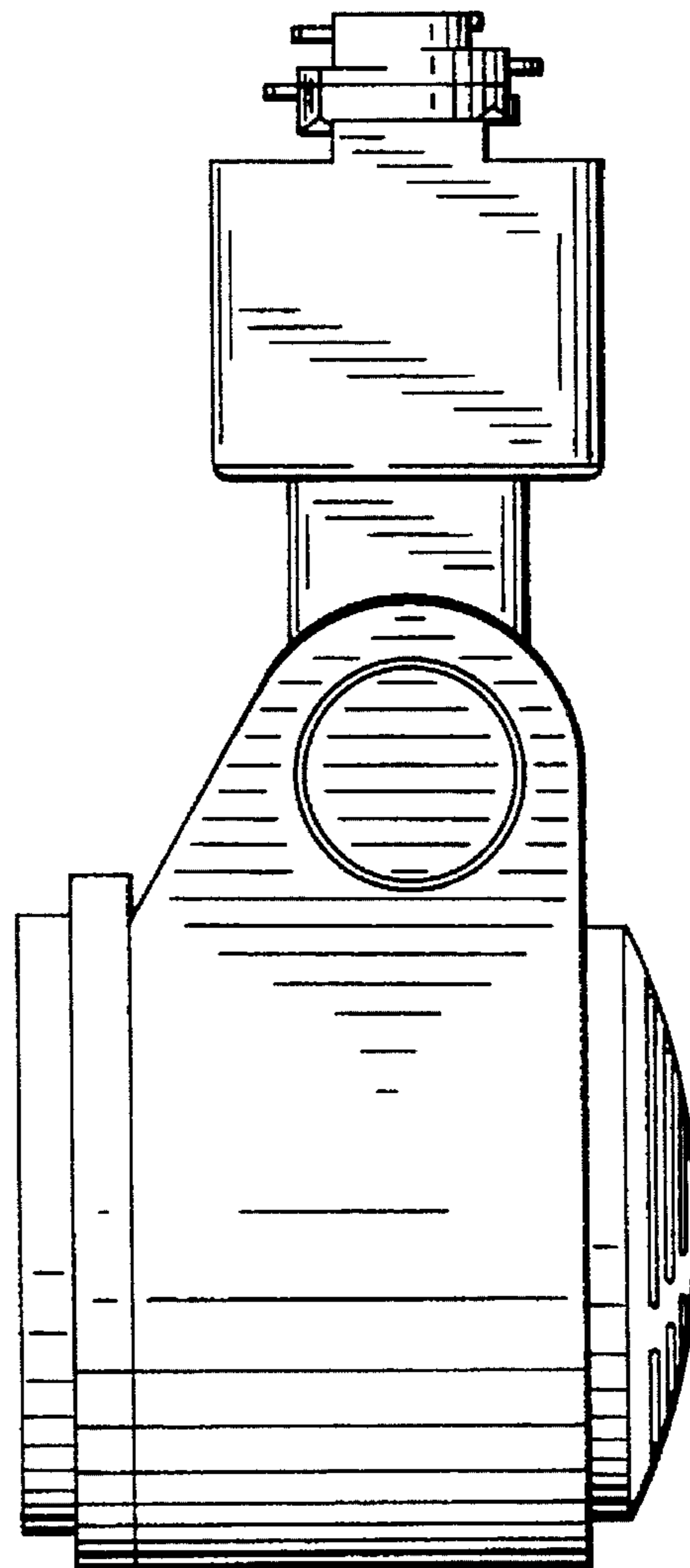
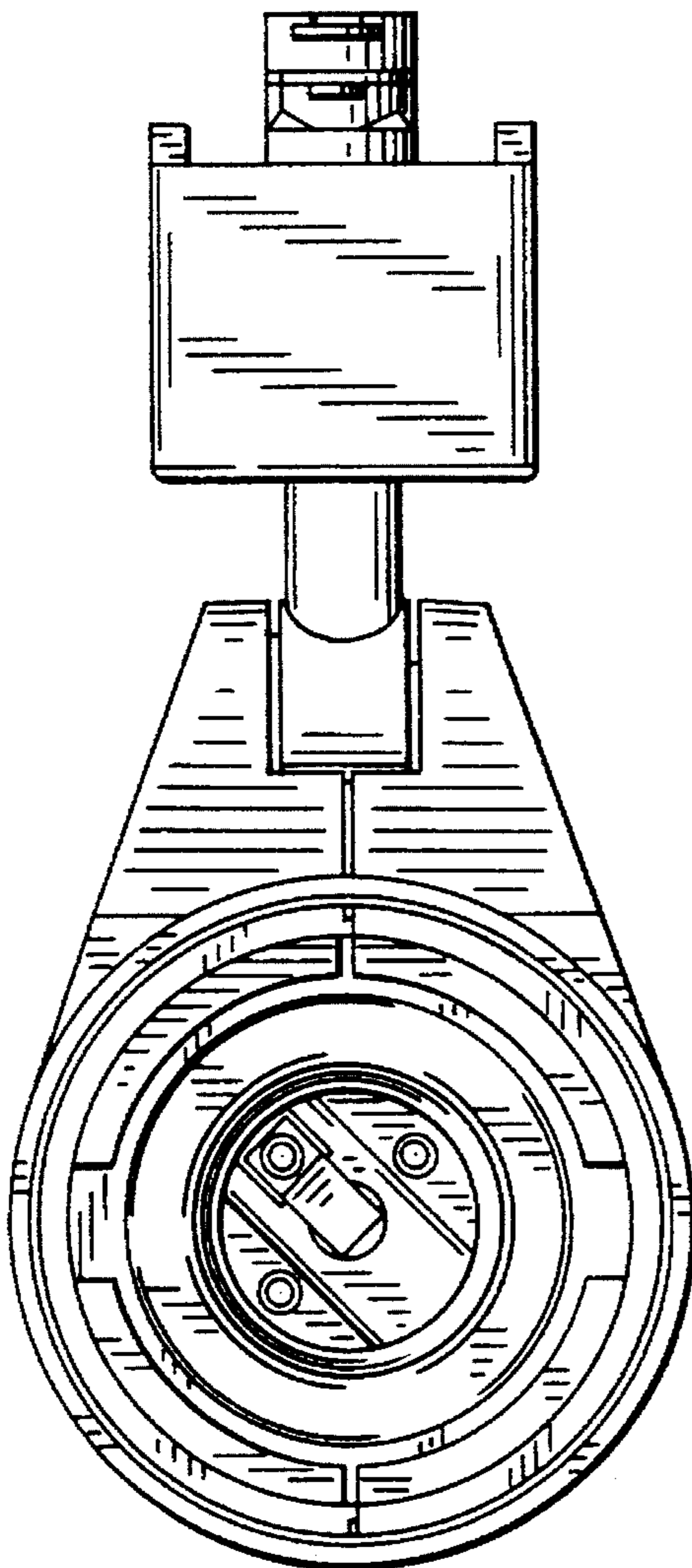
FIG. 2 is a rear elevational view of FIG. 1;

FIG. 3 is a right side elevational view of FIG. 1 (the left side elevational view being a mirror image of FIG. 3);

FIG. 4 is a top plan view of FIG. 1; and,

FIG. 5 is a bottom plan view of FIG. 1.

**1 Claim, 1 Drawing Sheet**



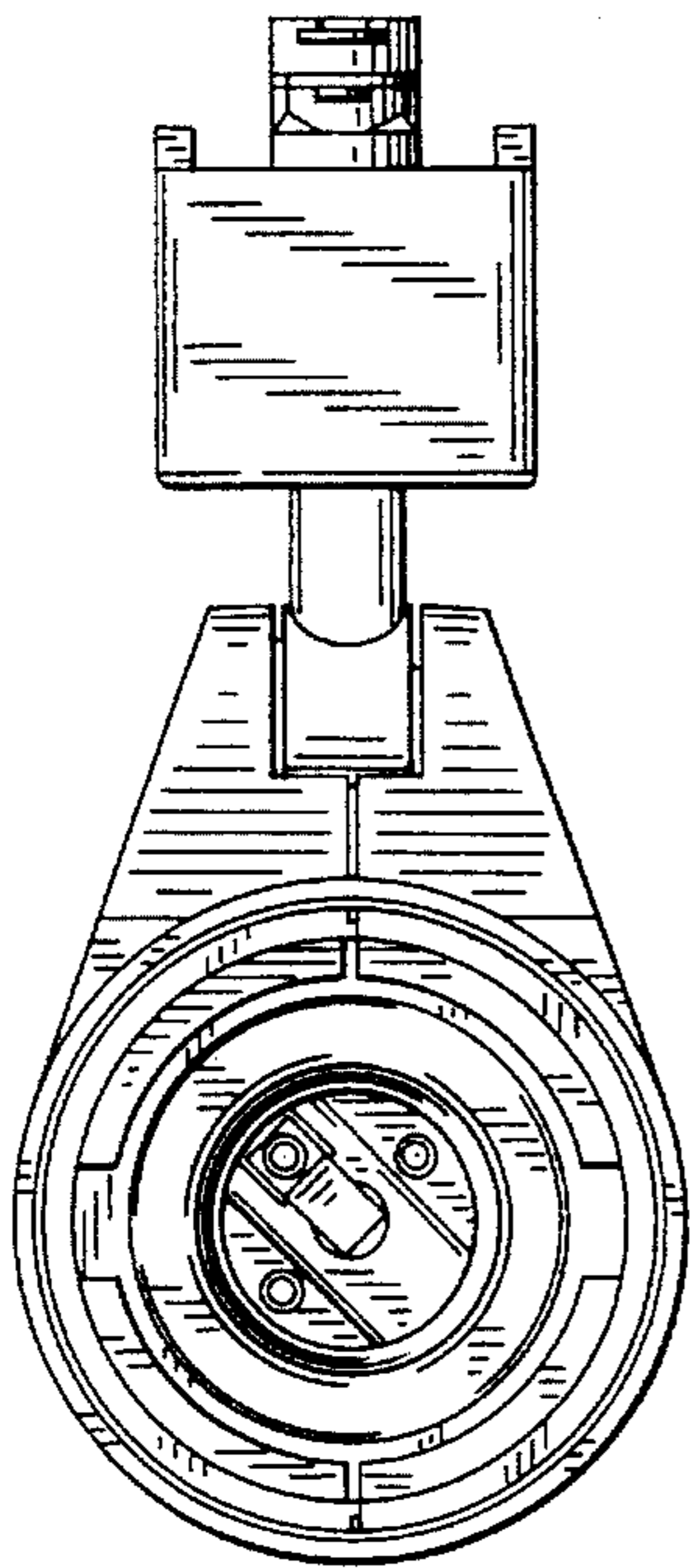


FIG. 1

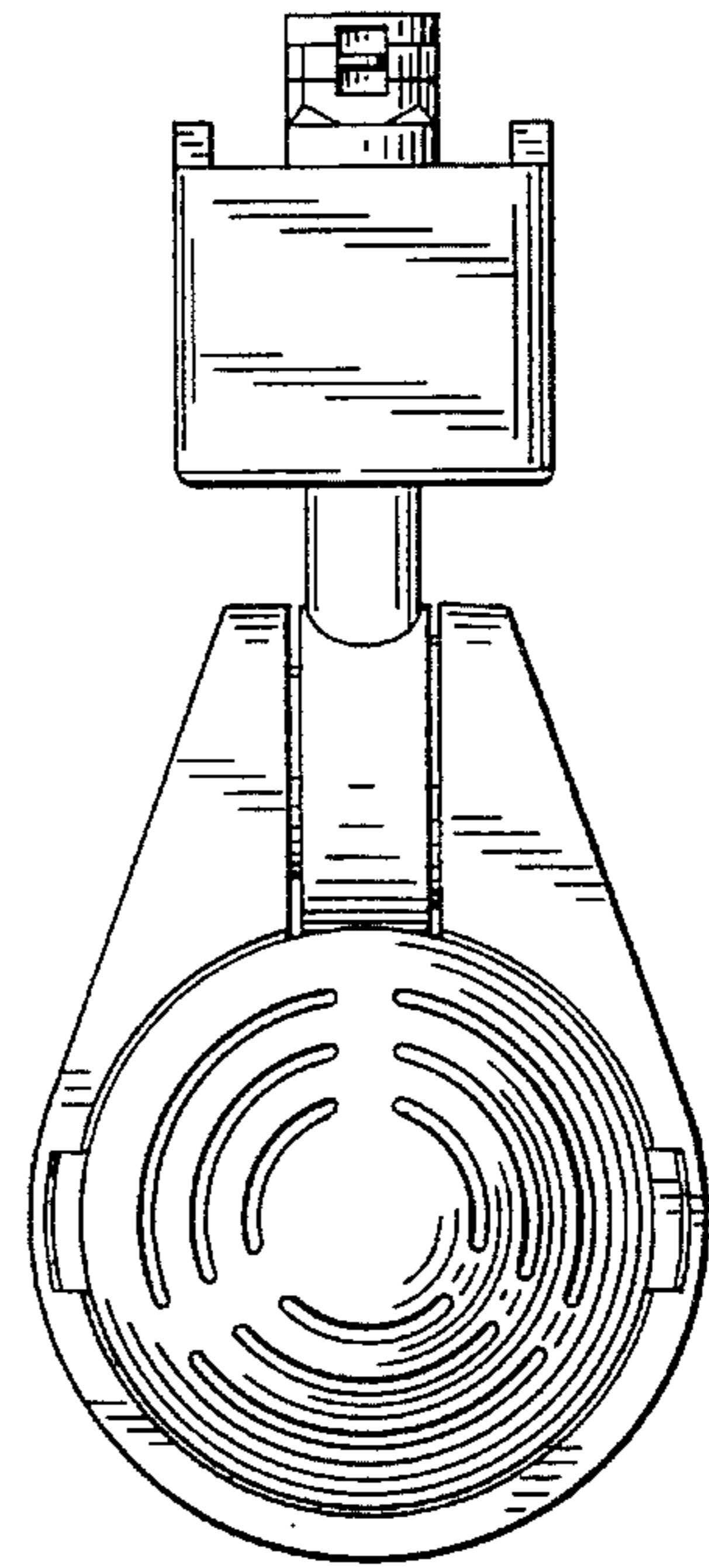


FIG. 2

FIG. 3

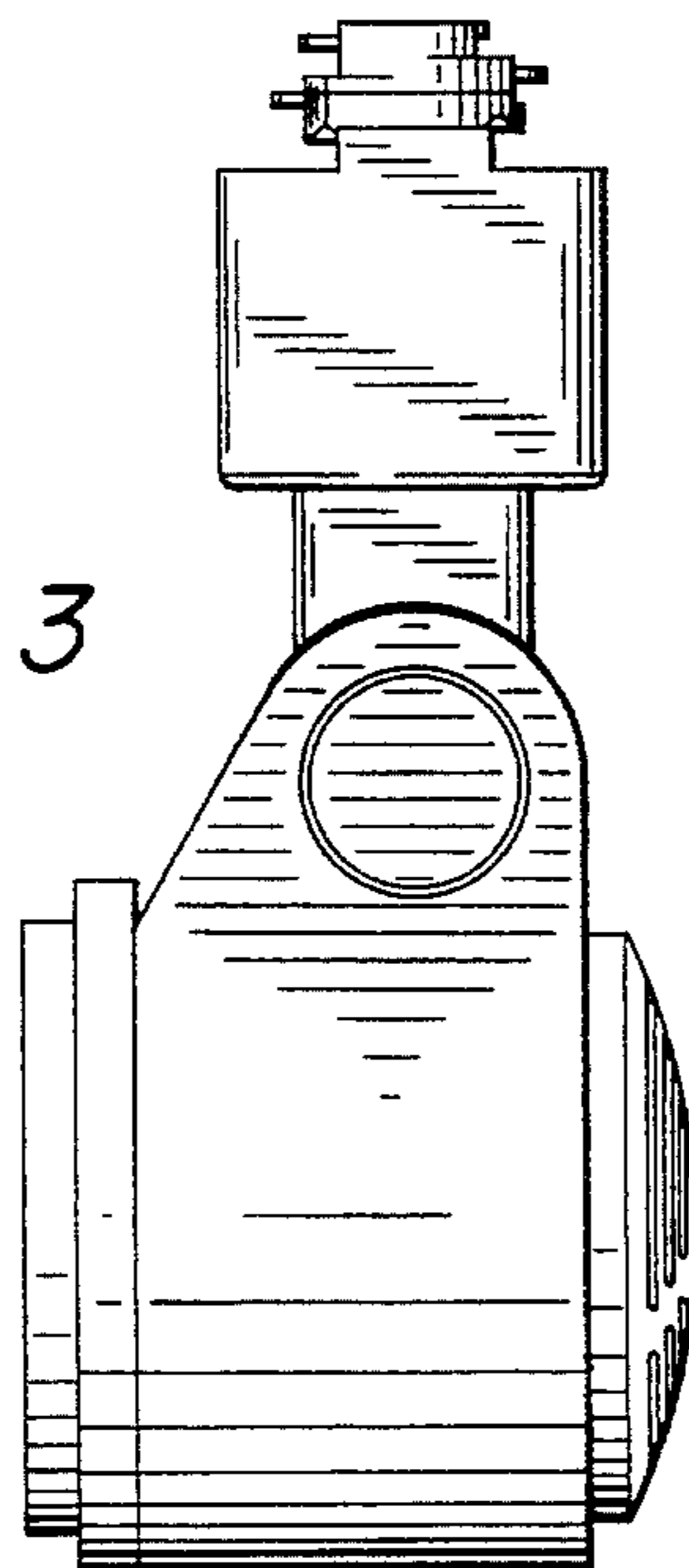


FIG. 4

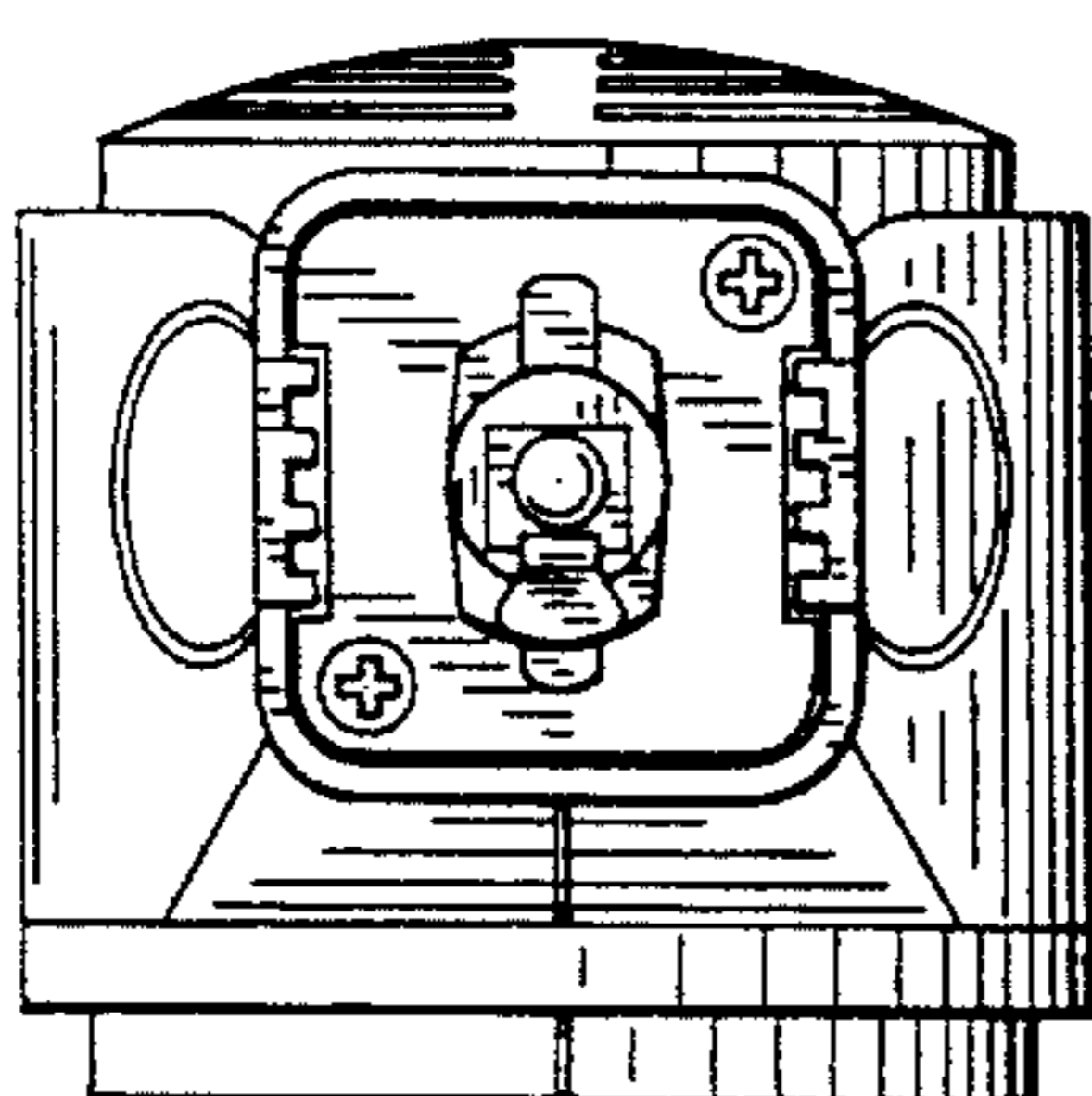


FIG. 5

