



US00D365405S

United States Patent [19]
Oliver

[11] **Patent Number: Des. 365,405**
[45] **Date of Patent: **Dec. 19, 1995**

[54] **WINDOW COMPONENT EXTRUSION**

D. 357,750 4/1995 Schrader D25/124

[75] Inventor: **Teresa A. Oliver**, Kent, Wash.

Primary Examiner—Doris Clark
Attorney, Agent, or Firm—Seed and Berry

[73] Assignee: **Mikron Industries**, Kent, Wash.

[**] Term: **14 Years**

[57] **CLAIM**

[21] Appl. No.: **30,308**

The ornamental design for a window component extrusion, as shown and described.

[22] Filed: **Oct. 26, 1994**

[52] **U.S. Cl.** **D25/124**

DESCRIPTION

[58] **Field of Search** D25/52, 60, 124,
D25/125; 49/DIG. 2, 504–505; 52/204.5,
204.56, 204.51, 730.3, 205.1

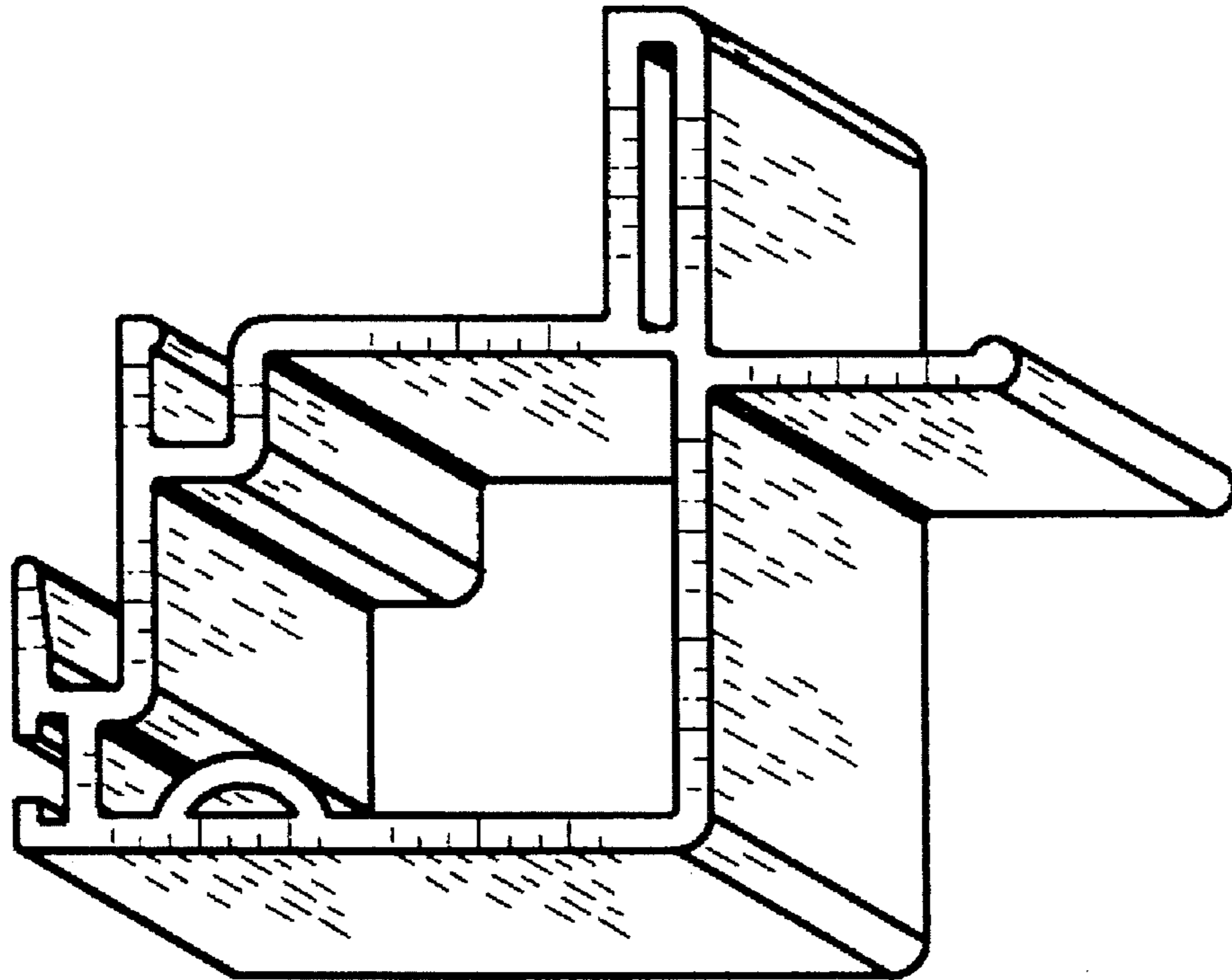
FIG. 1 is a top right perspective view of a window component extrusion showing my new design, the window component extrusion being of indefinite length; and, FIG. 2 is a bottom left perspective view thereof.

[56] **References Cited**

U.S. PATENT DOCUMENTS

D. 353,470 12/1994 Cole D25/124

1 Claim, 1 Drawing Sheet



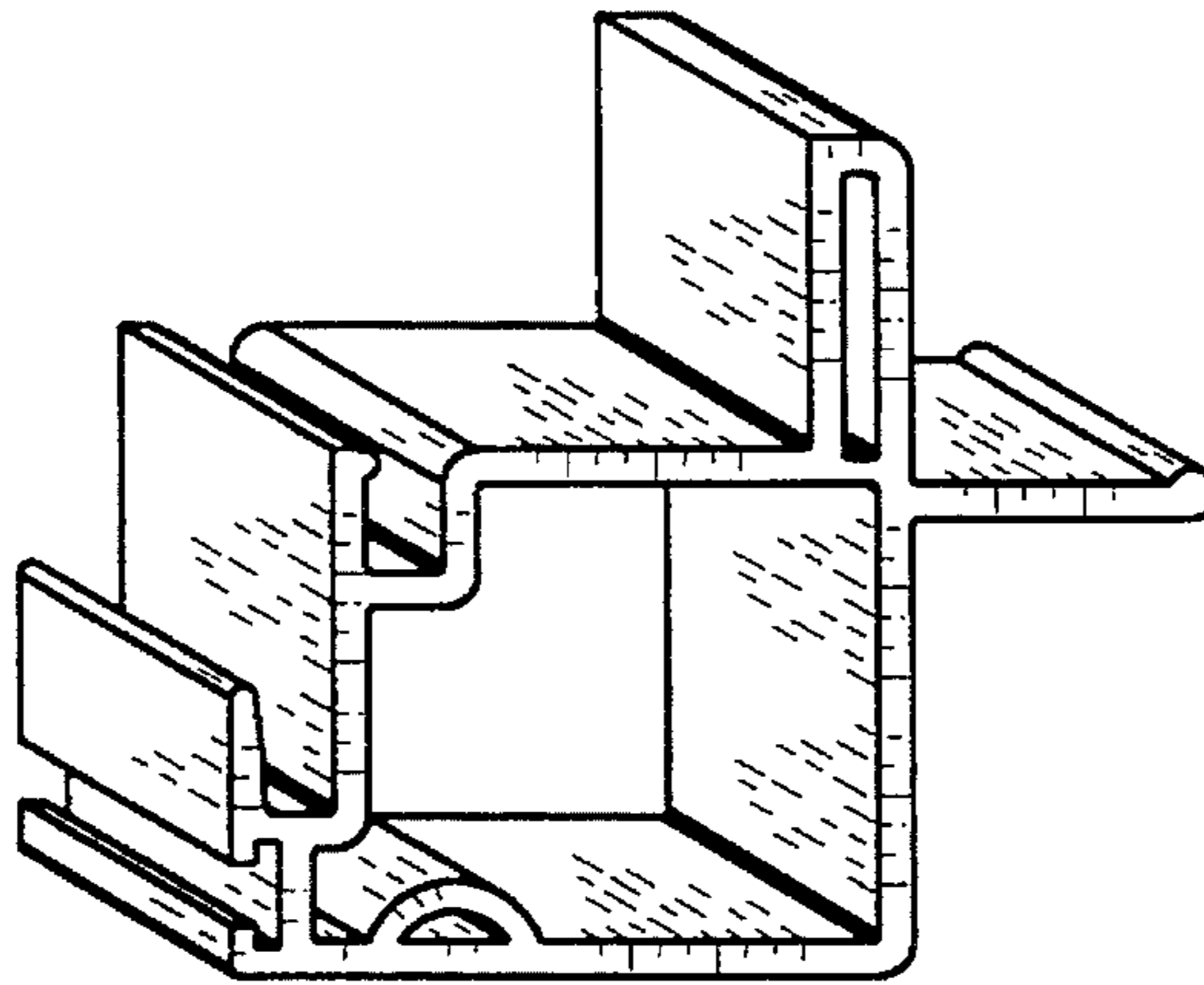


FIG. 1

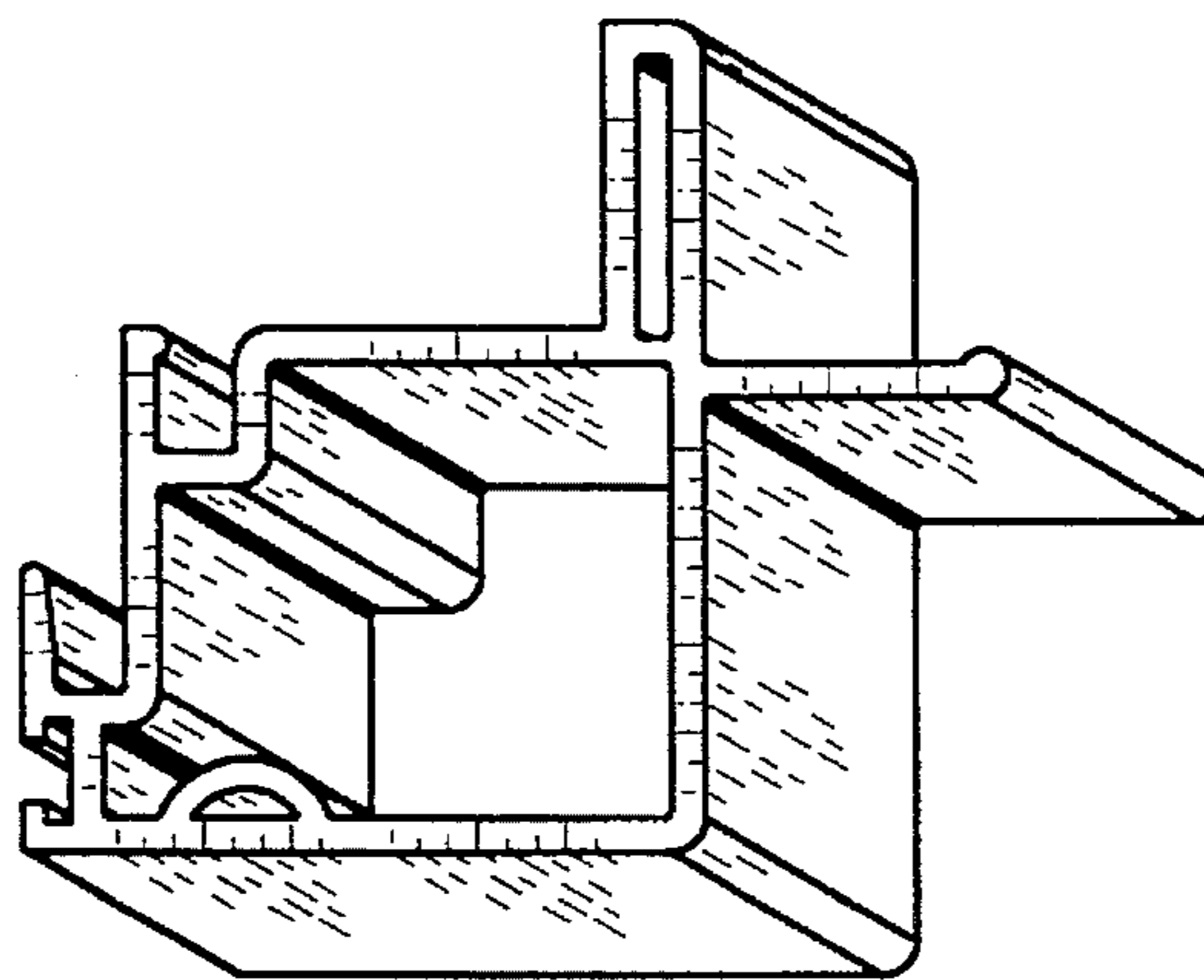


FIG. 2