



US00D365404S

United States Patent [19]
Landry, Jr.

[11] **Patent Number: Des. 365,404**
[45] **Date of Patent: **Dec. 19, 1995**

- [54] **SOIL EROSION PREVENTION BLOCK**
- [75] Inventor: **Kossuth J. Landry, Jr.**, Humble, Tex.
- [73] Assignee: **Alice L. Landry**, Humble, Tex.
- [**] Term: **14 Years**
- [21] Appl. No.: **30,248**
- [22] Filed: **Oct. 24, 1994**

Related U.S. Application Data

- [63] Continuation-in-part of Ser. No. 5,230, Feb. 22, 1993, Pat. No. Des. 351,914.
- [52] **U.S. Cl.** **D25/115**
- [58] **Field of Search** **D25/112-115,**
D25/118, 151; 52/596, 602, 607-609; 405/284,
286

[56] **References Cited**

U.S. PATENT DOCUMENTS

D. 317,048	5/1991	Forsberg	D25/114
1,350,399	8/1920	Wilson	52/609
3,222,830	12/1965	Ivana	52/607
4,413,924	11/1983	Ijima	D25/113
4,514,949	5/1985	Crespo	52/607

Primary Examiner—Doris Clark
Attorney, Agent, or Firm—Kenneth A. Roddy

[57] **CLAIM**

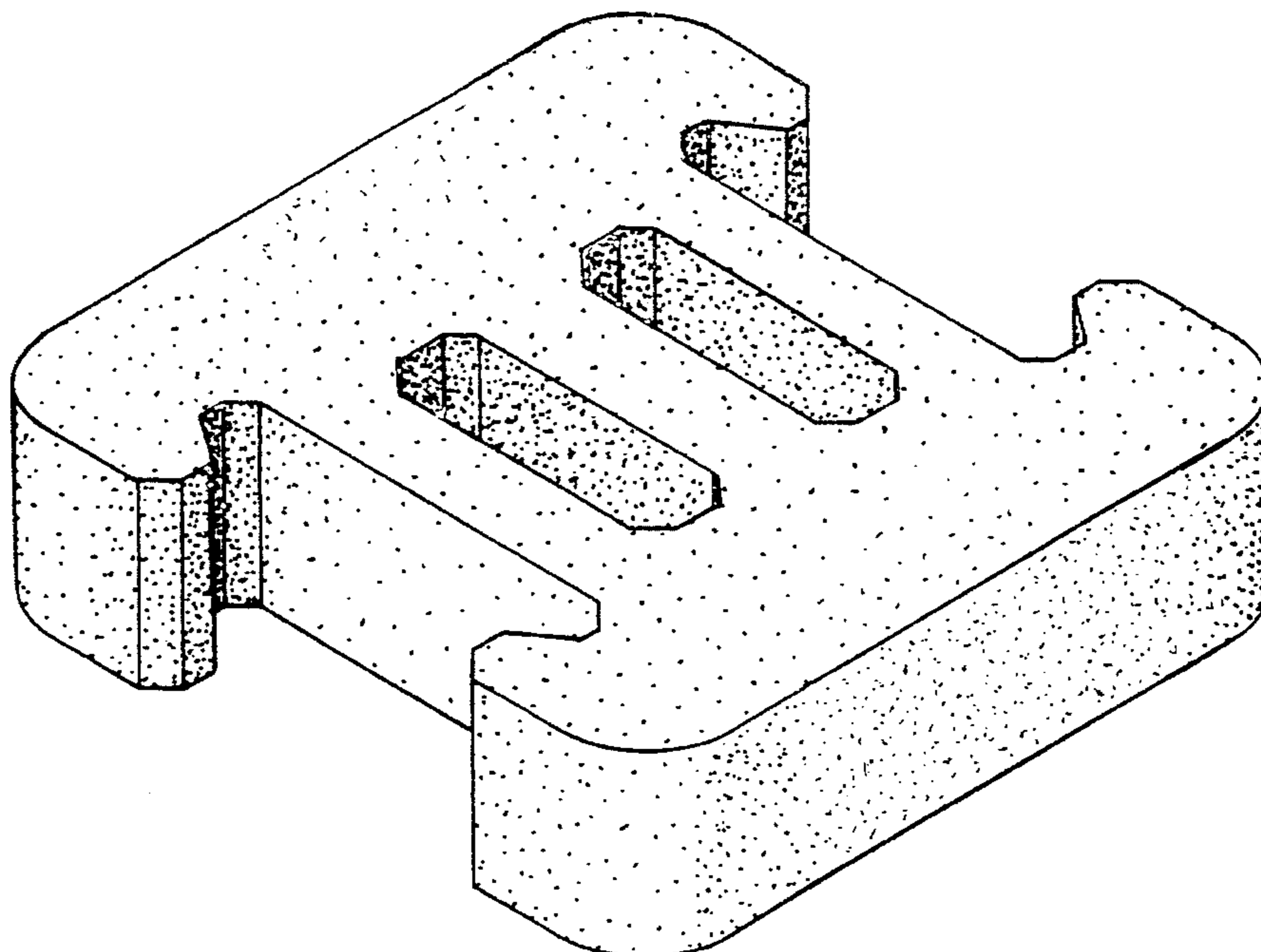
The ornamental design for a soil erosion prevention block, as shown and described.

DESCRIPTION

FIG. 1 is a perspective view of a soil erosion prevention

- block showing my new design as seen from the top;
- FIG. 2 is a perspective view thereof as seen from the bottom;
- FIG. 3 is a top perspective view of a second embodiment of a soil erosion prevention block;
- FIG. 4 is a bottom perspective view thereof;
- FIG. 5 is a top perspective view of a third embodiment of a soil erosion prevention block;
- FIG. 6 is a bottom perspective view thereof;
- FIG. 7 is a top perspective view of a fourth embodiment of a soil erosion prevention block;
- FIG. 8 is a bottom perspective view thereof;
- FIG. 9 is a top perspective view of a fifth embodiment of a soil erosion prevention block;
- FIG. 10 is a bottom perspective view thereof;
- FIG. 11 is a top perspective view of a sixth embodiment of a soil erosion prevention block;
- FIG. 12 is a bottom perspective view thereof;
- FIG. 13 is a top perspective view of a seventh embodiment of a soil erosion prevention block;
- FIG. 14 is a bottom perspective view thereof;
- FIG. 15 is a top perspective view of an eighth embodiment of a soil erosion prevention block; and,
- FIG. 16 is a bottom perspective view thereof.

1 Claim, 8 Drawing Sheets



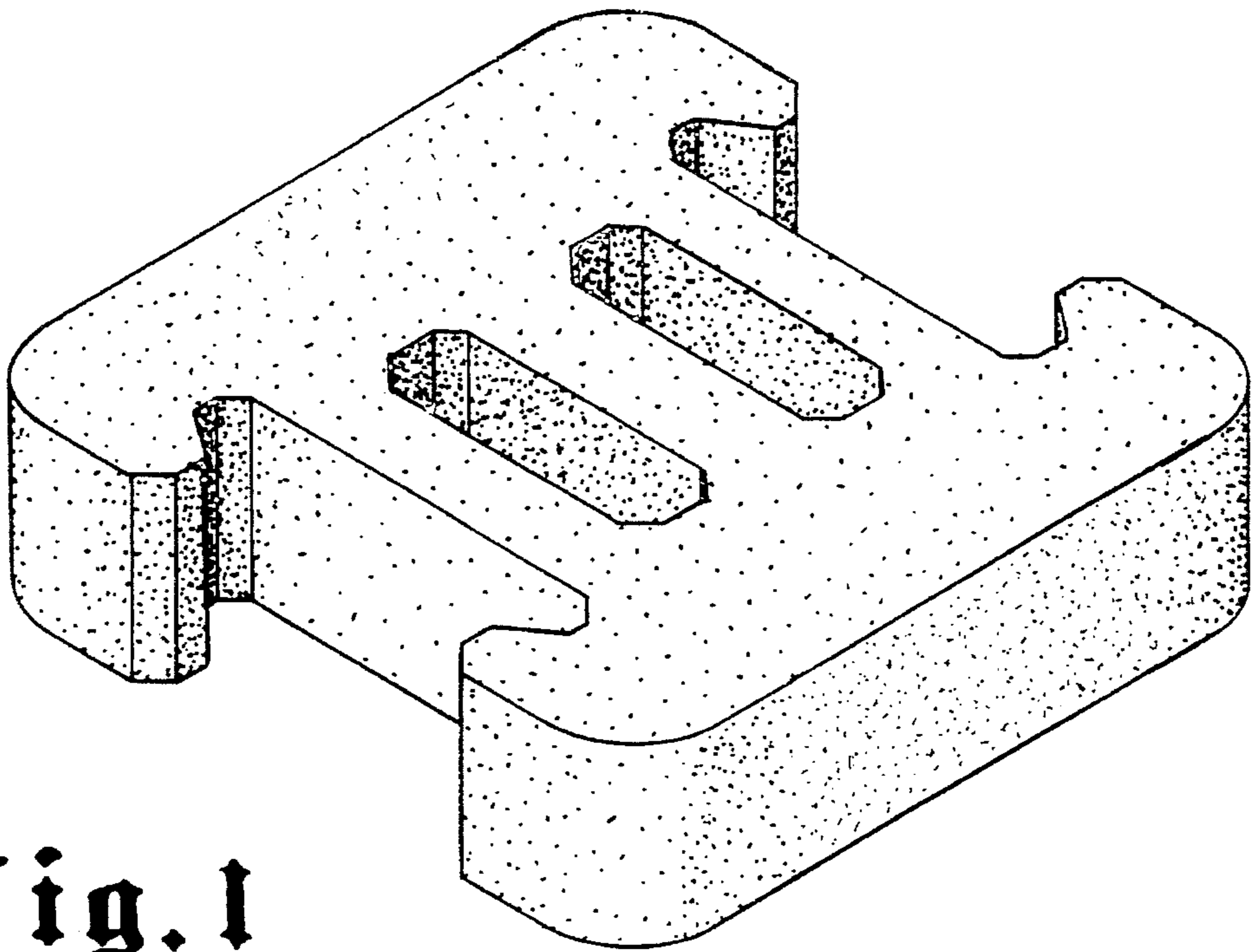


fig. 1

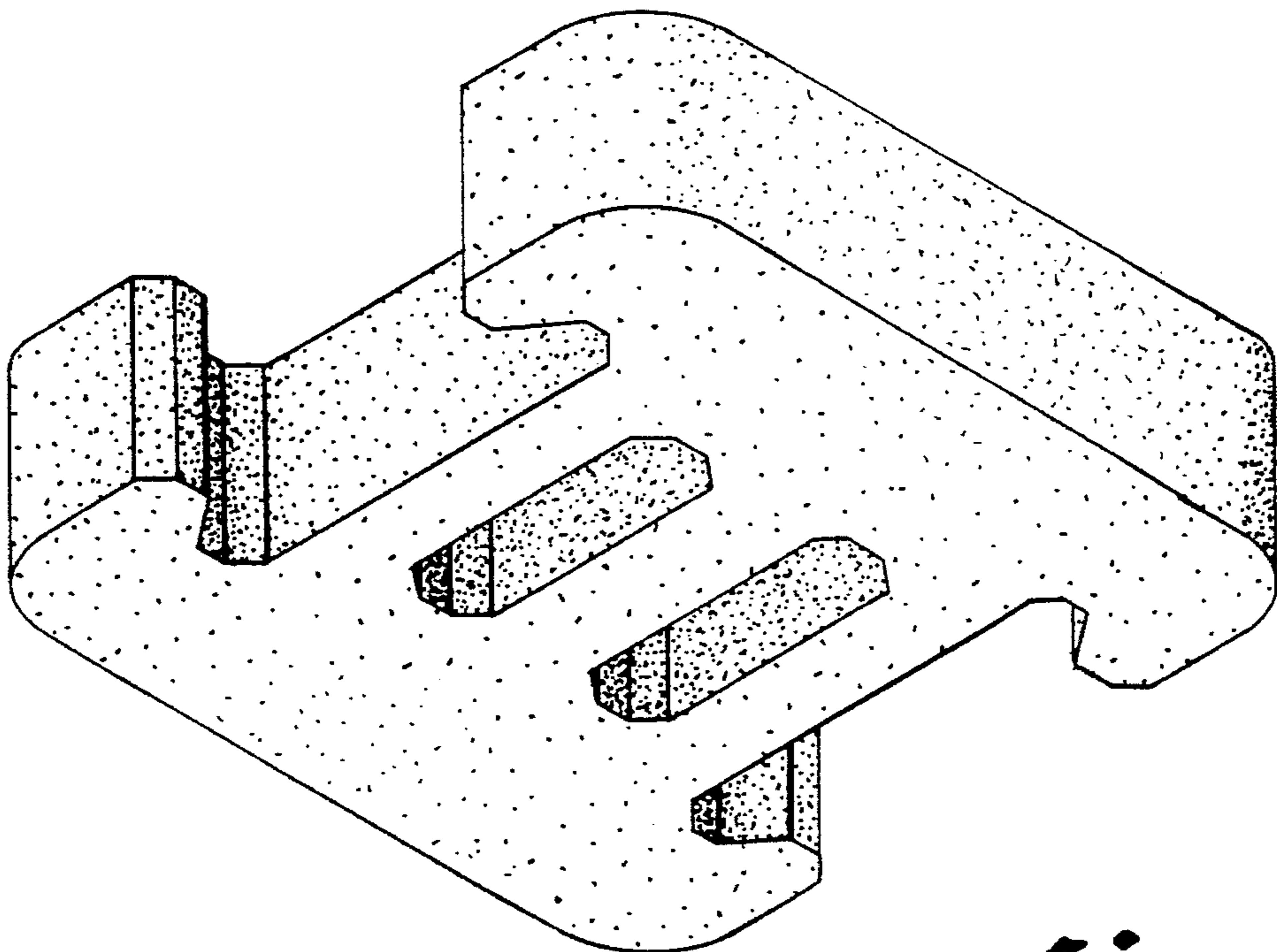


fig. 2

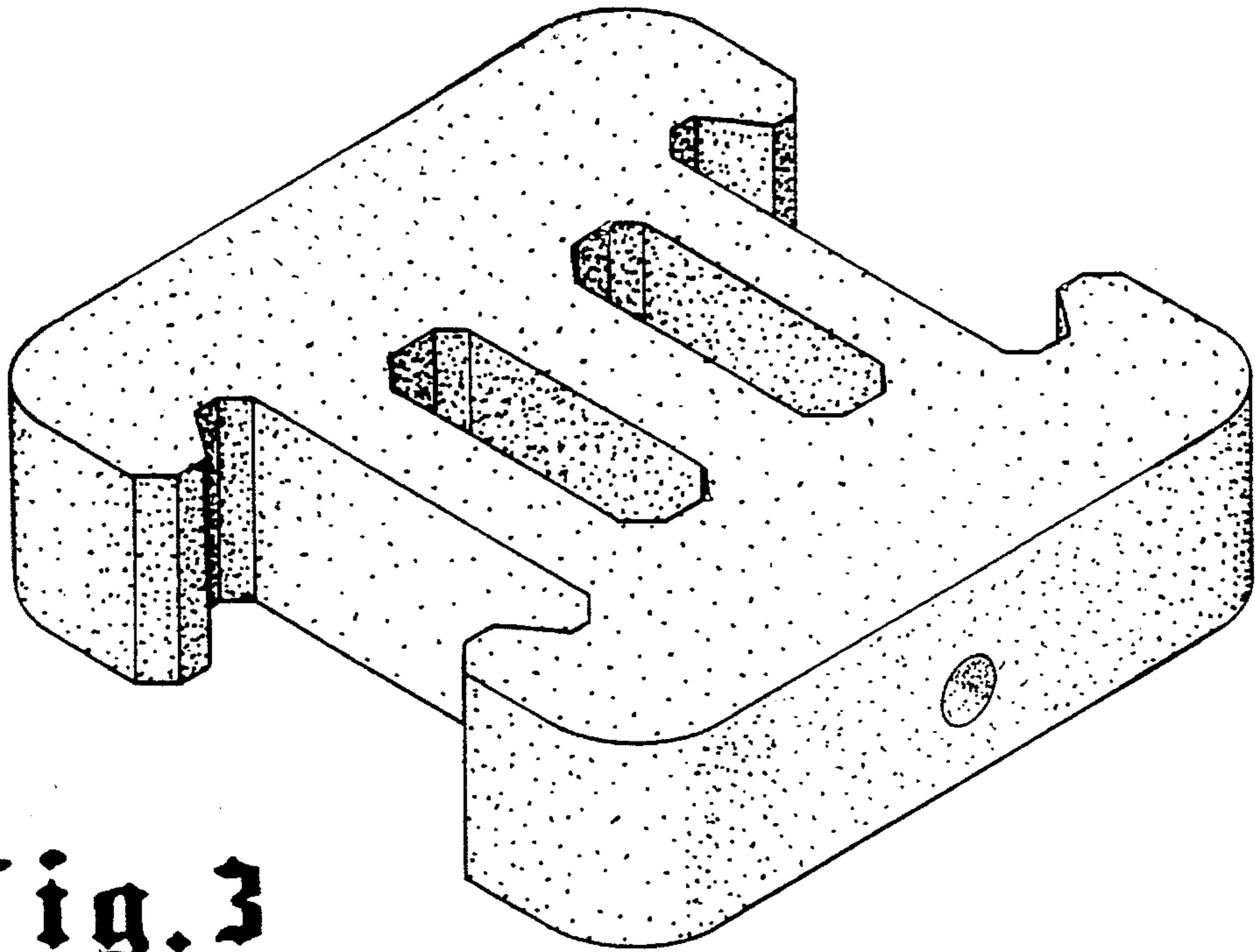


fig. 3

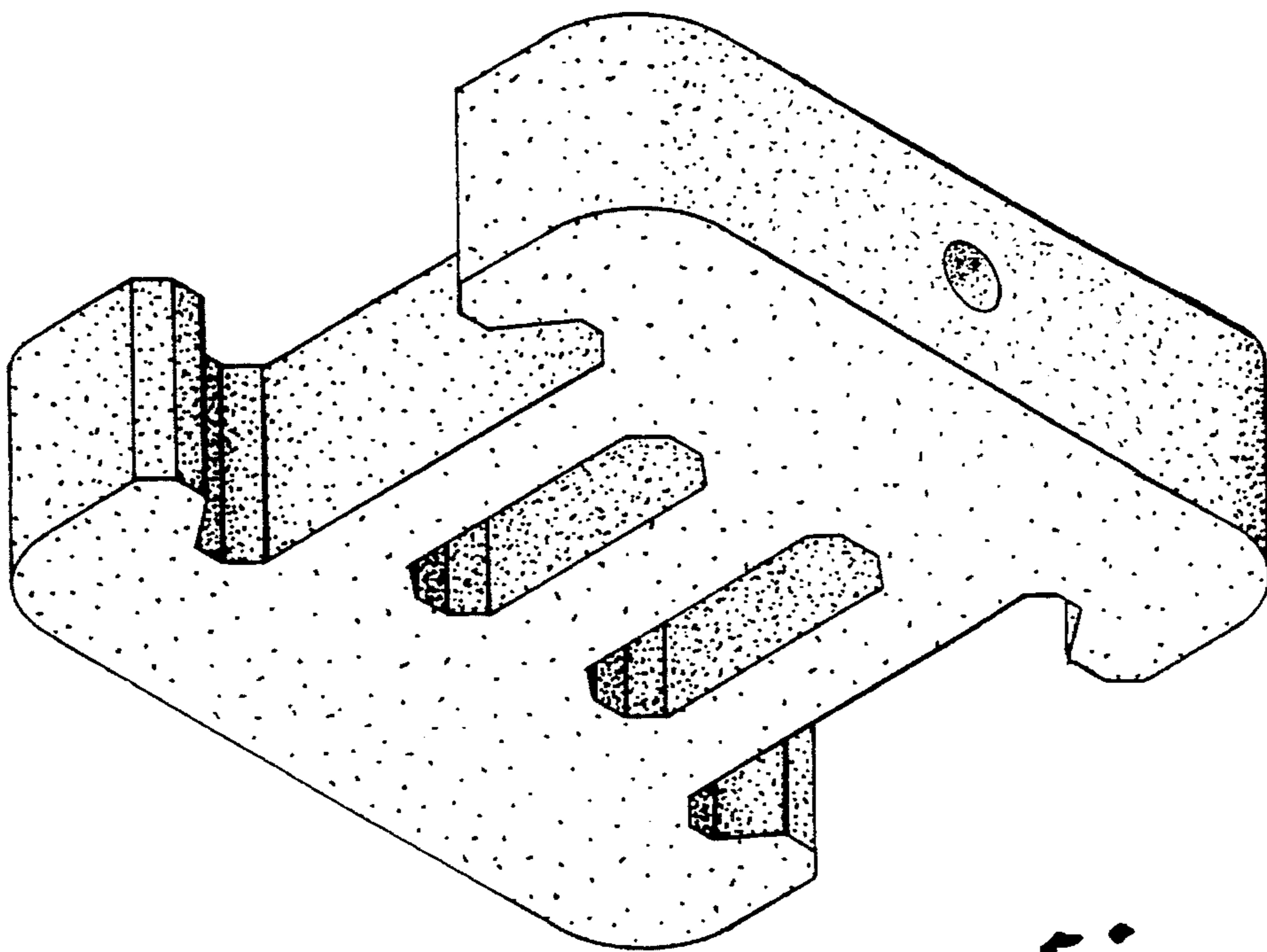


fig. 4

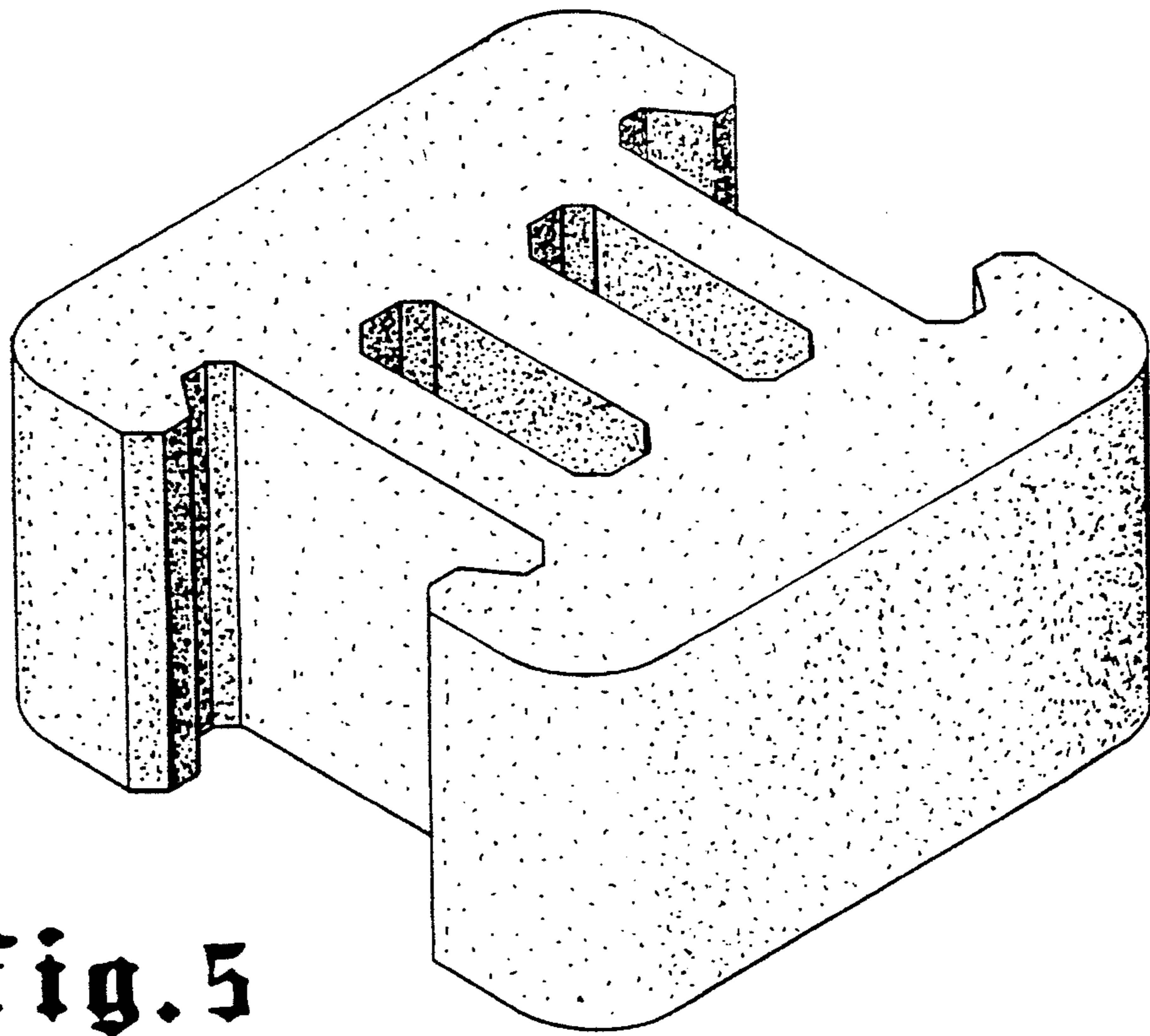


fig. 5

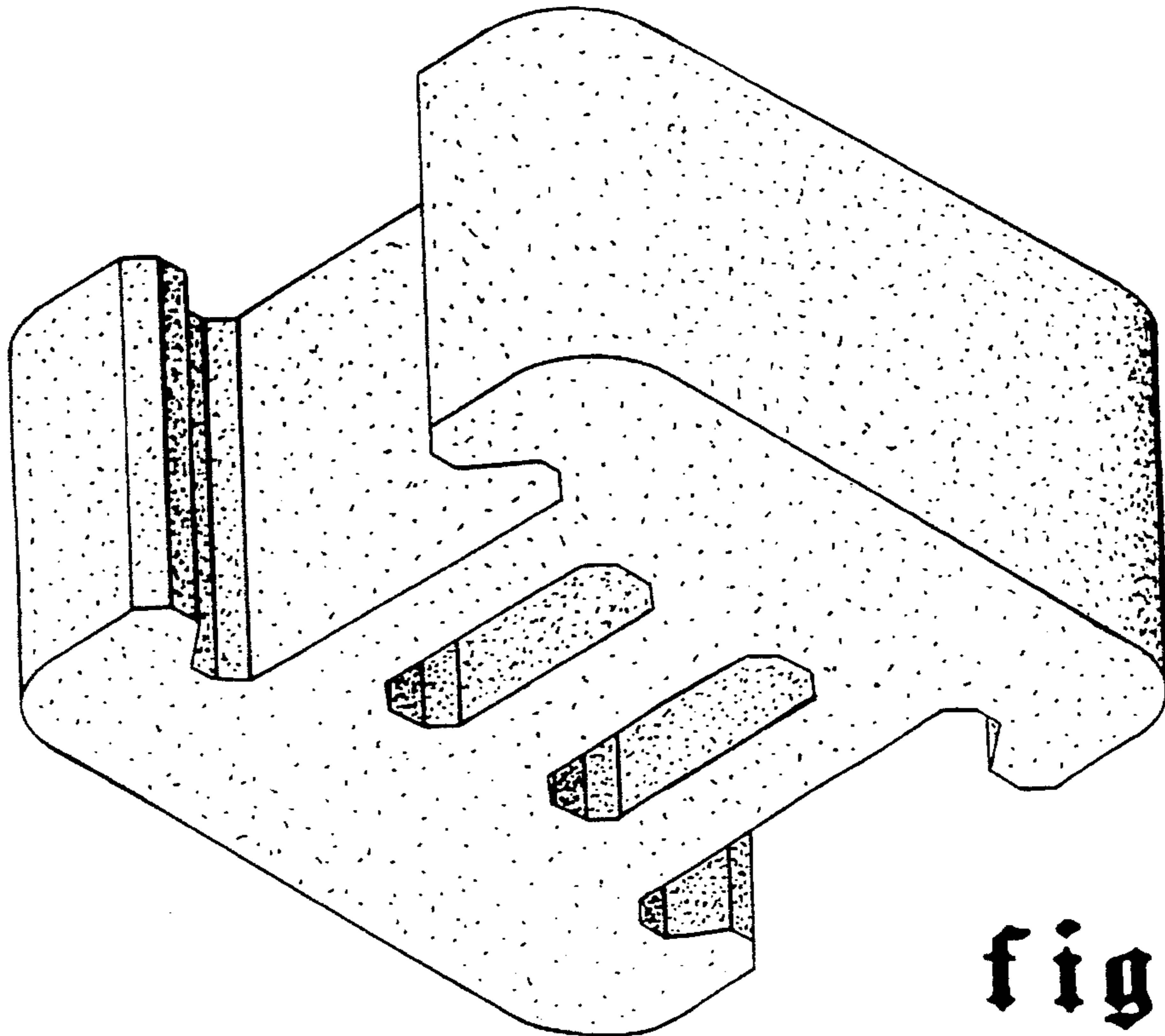


fig. 6

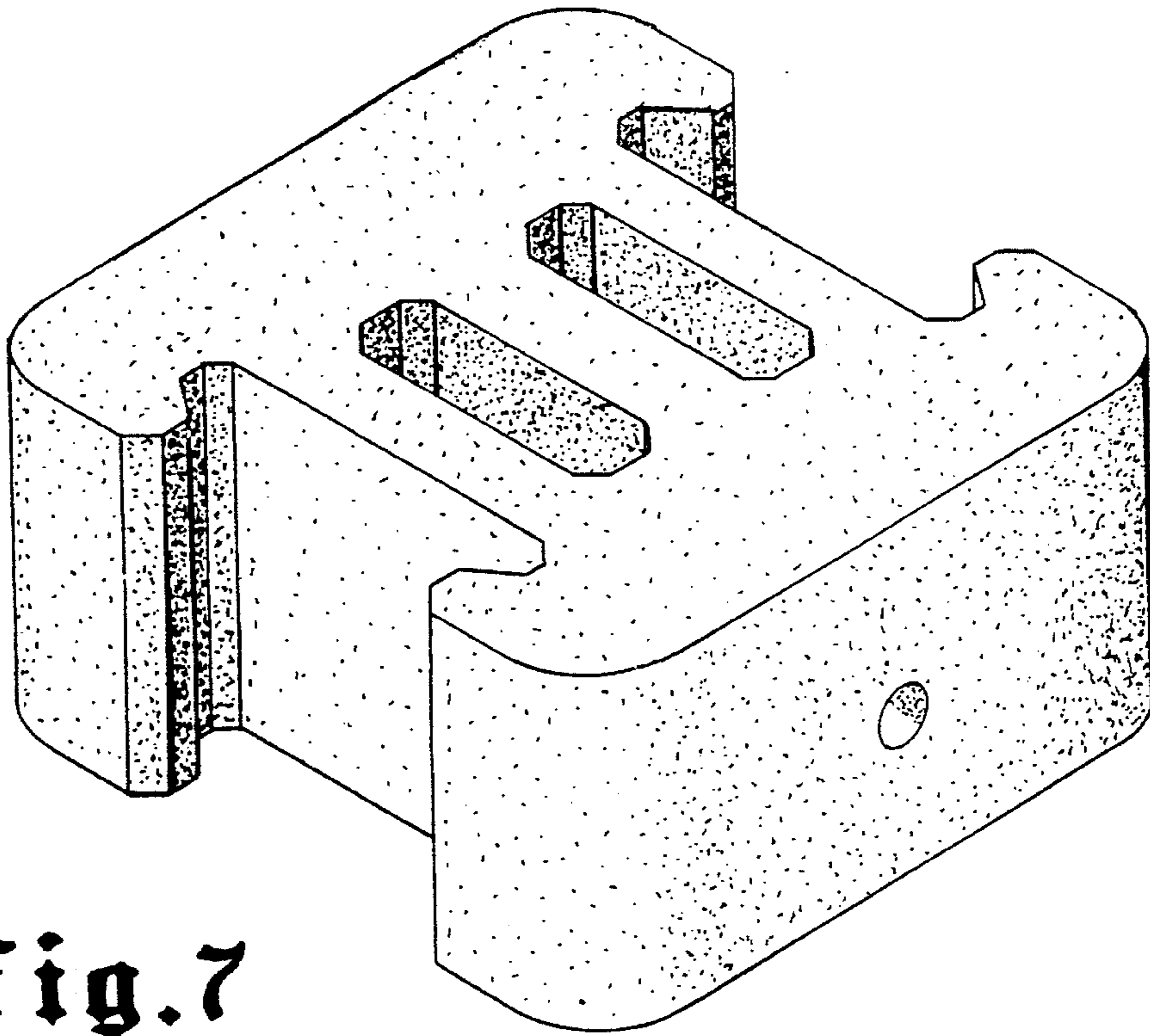


fig. 7

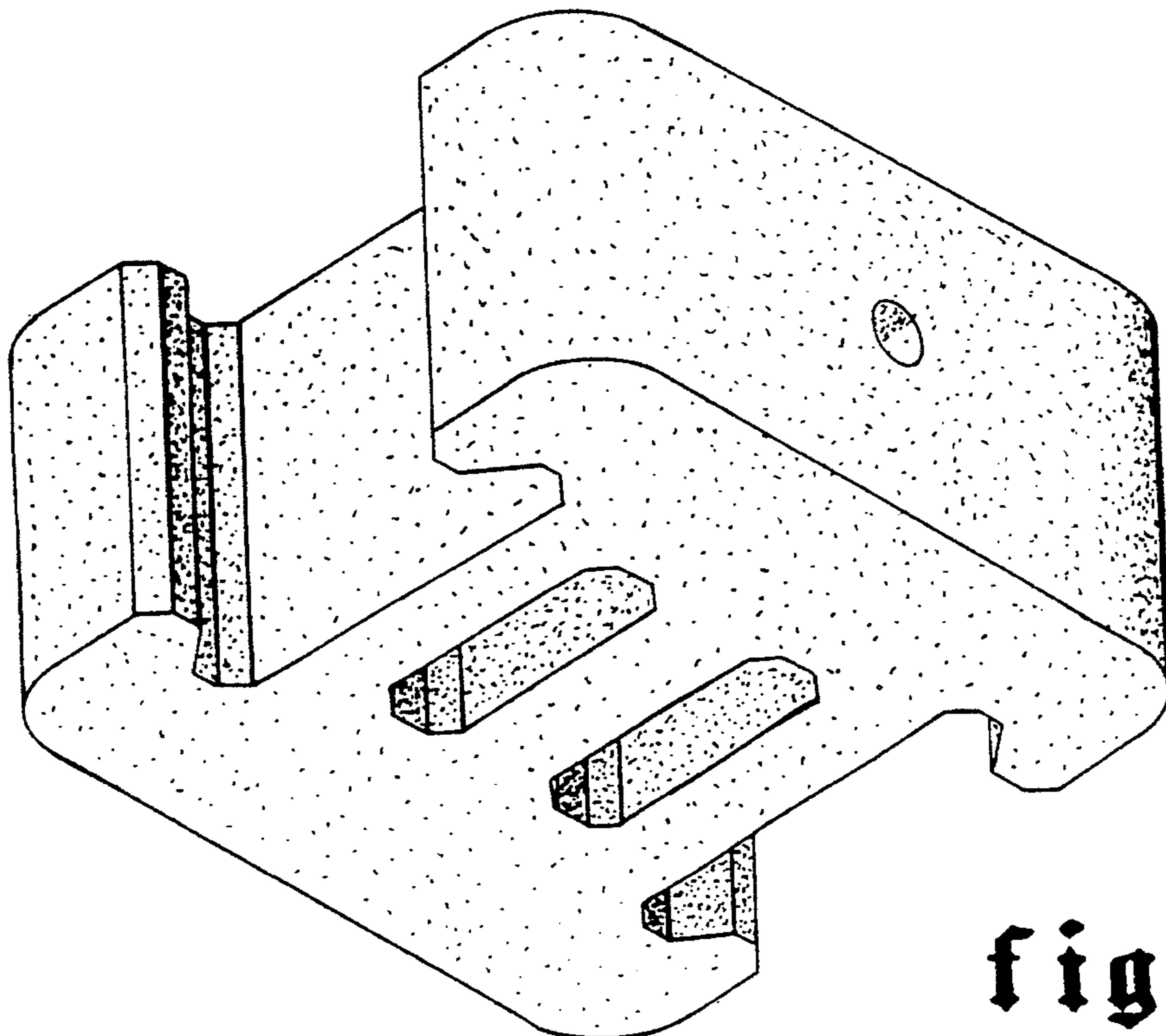


fig. 8

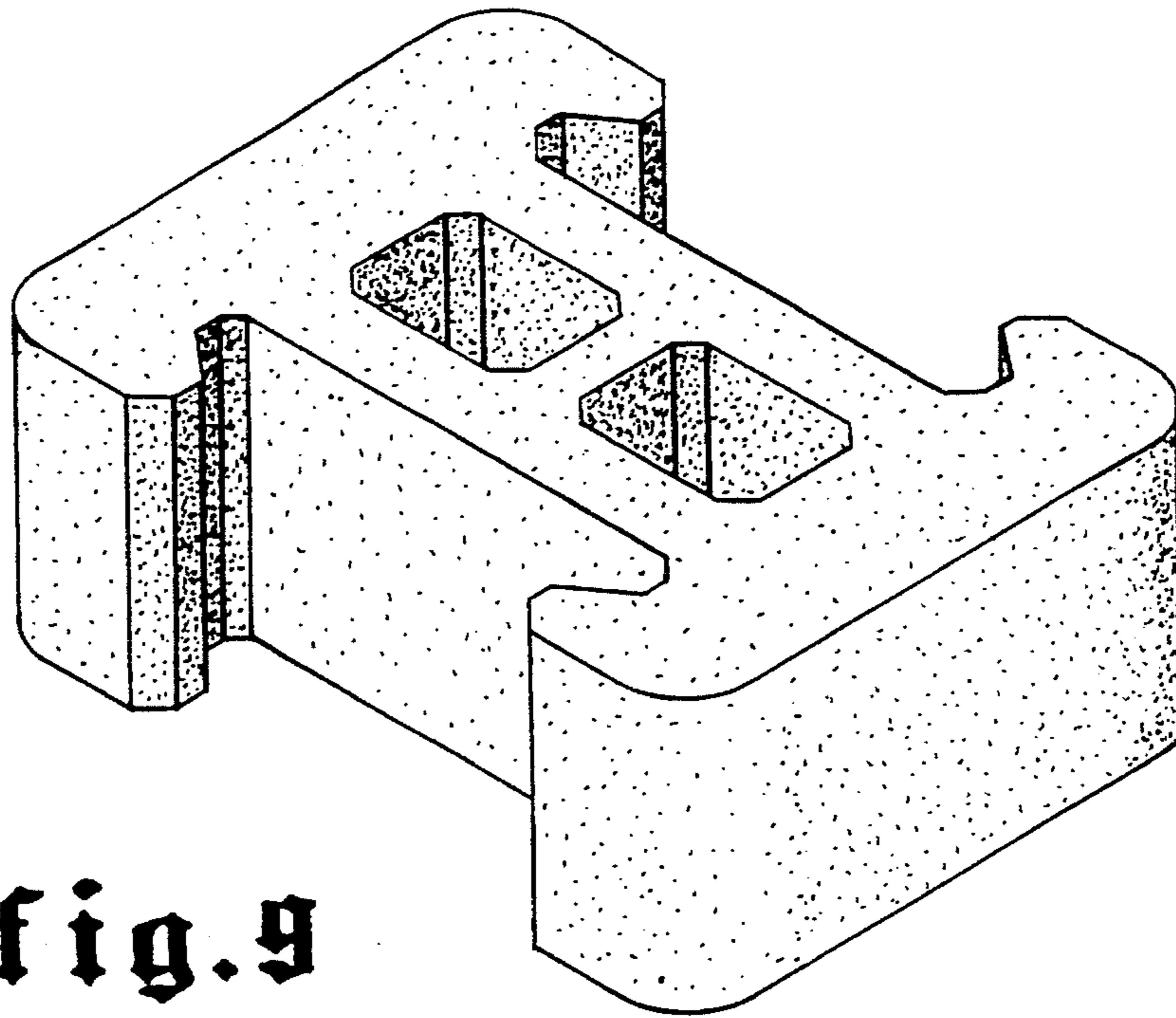


fig. 9

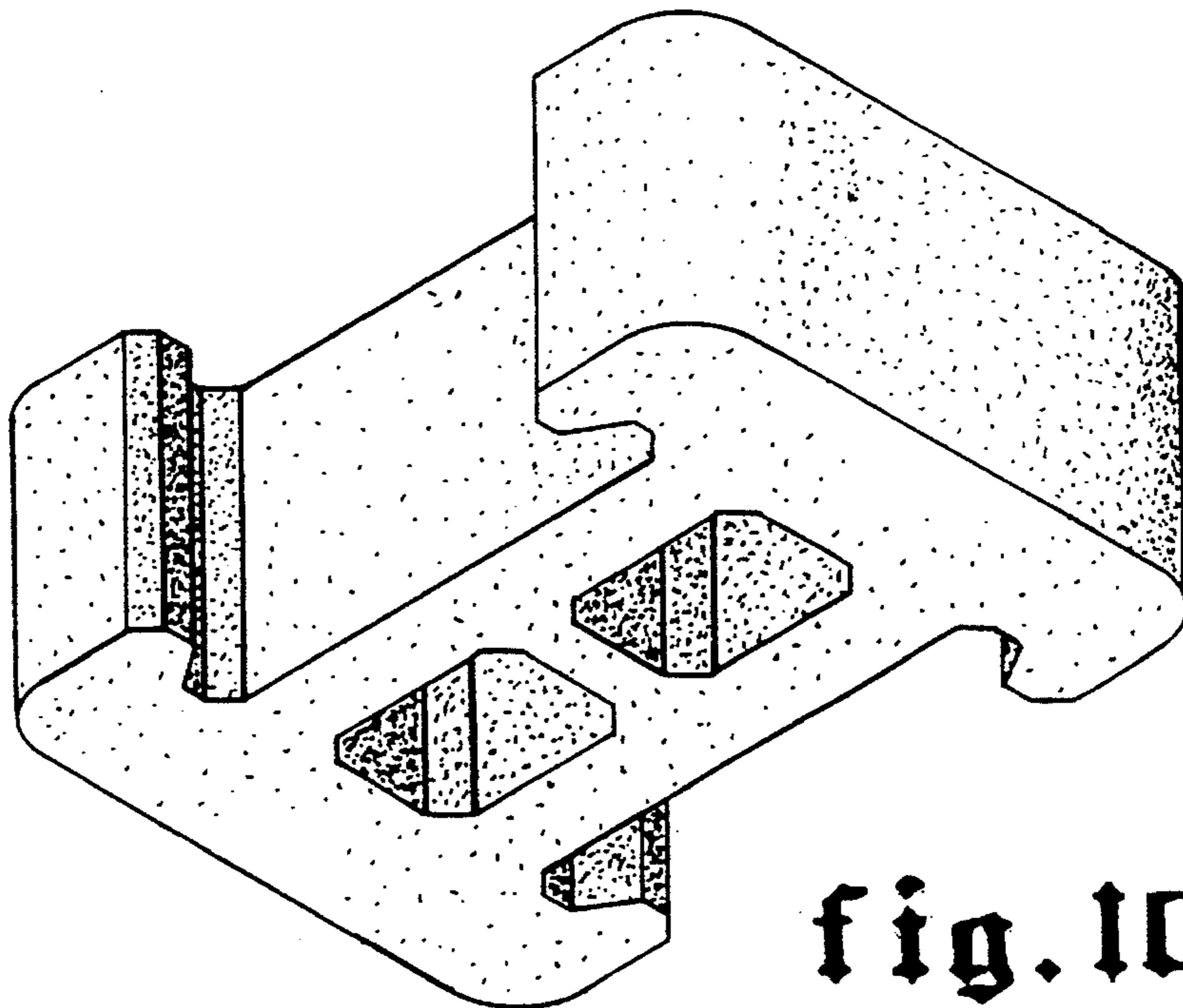
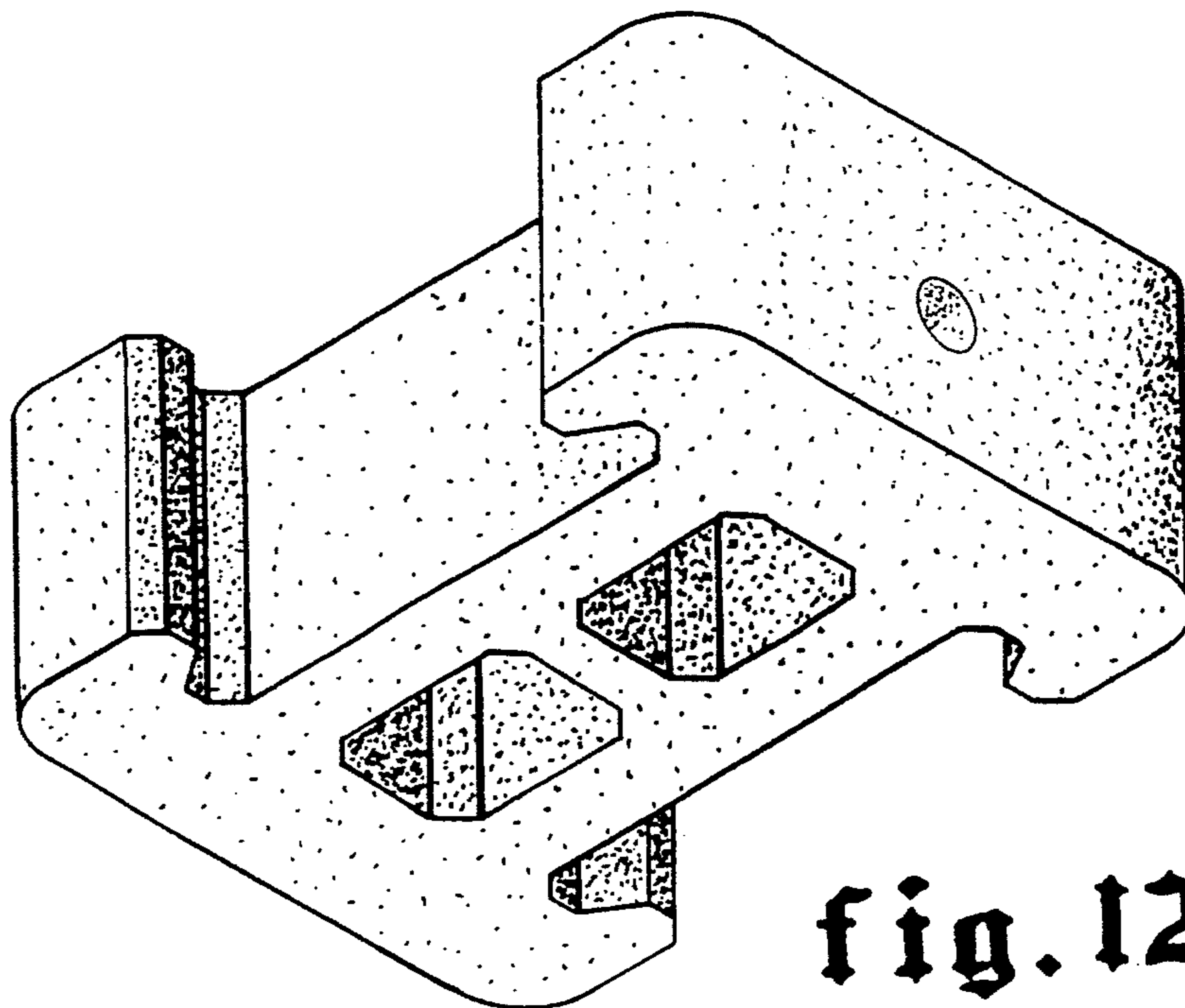
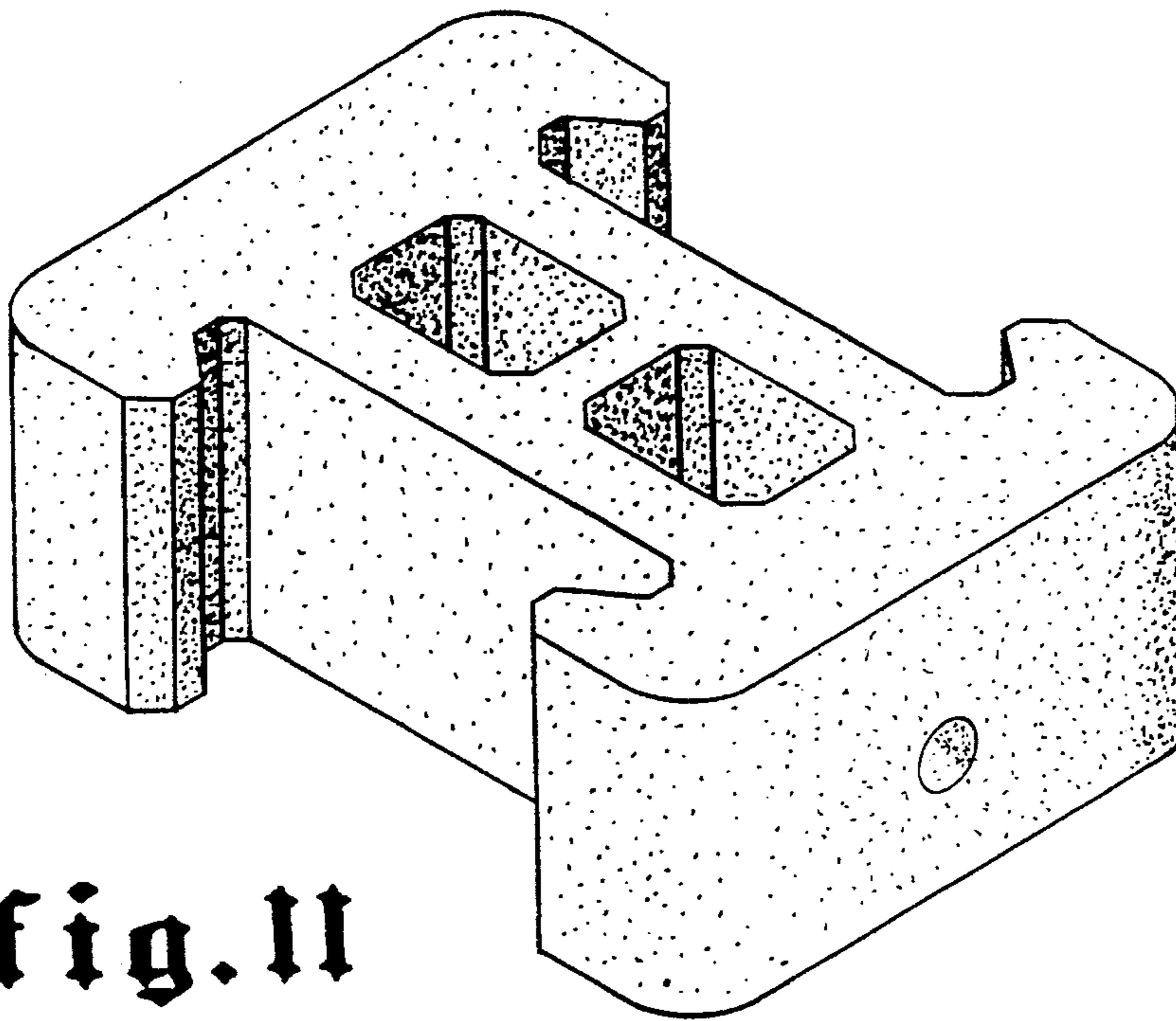


fig. 10



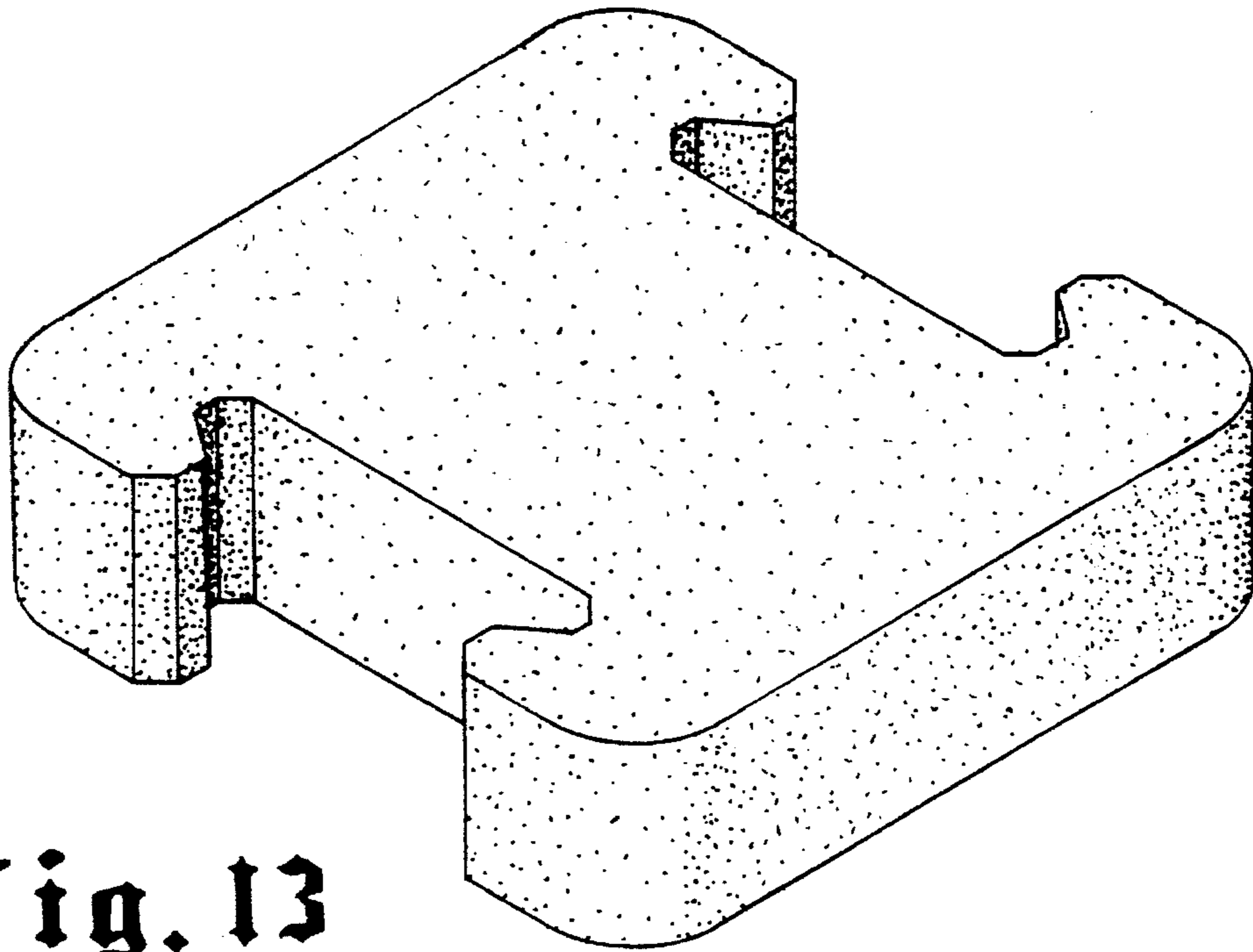


fig. 13

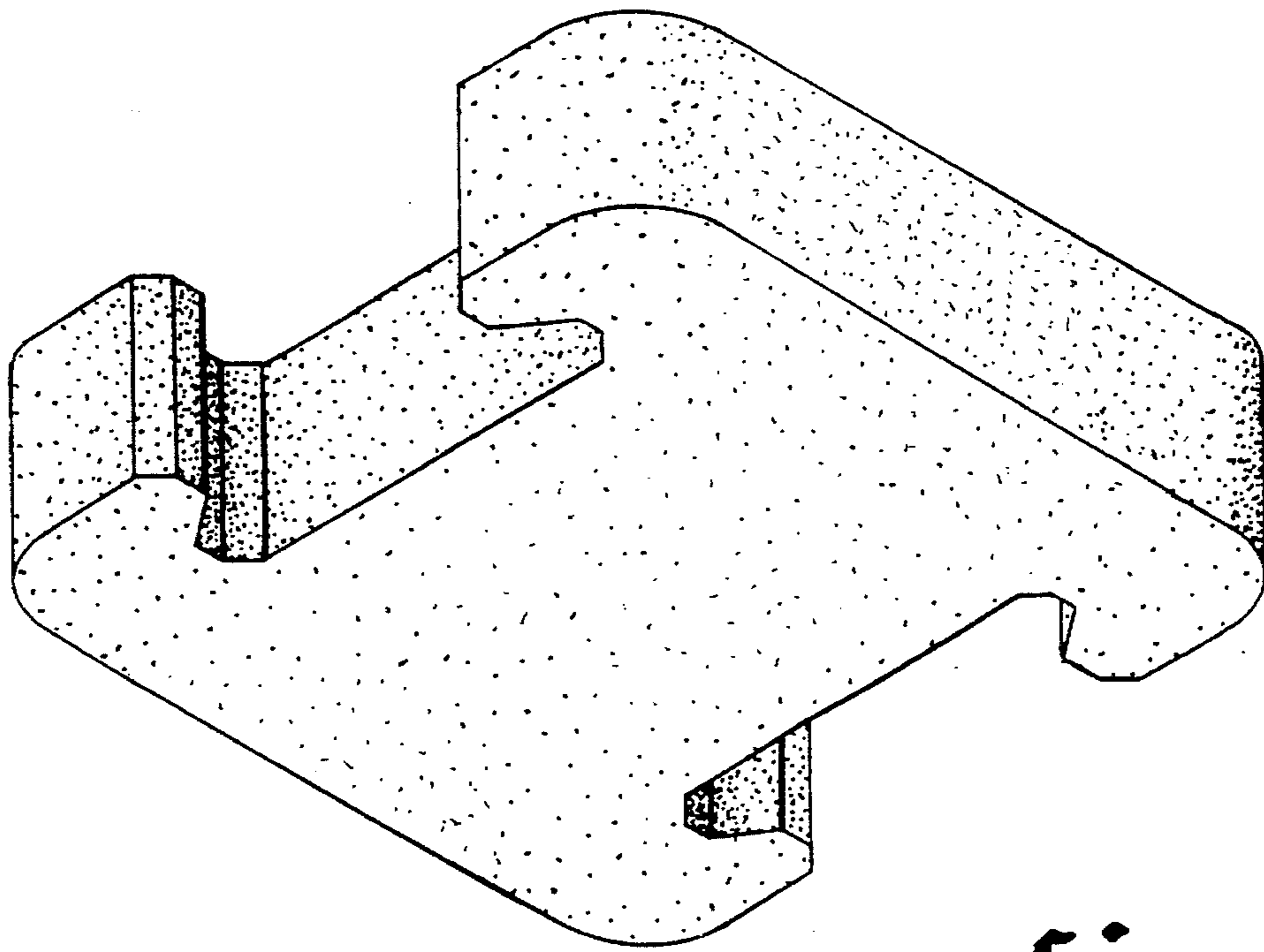


fig. 14

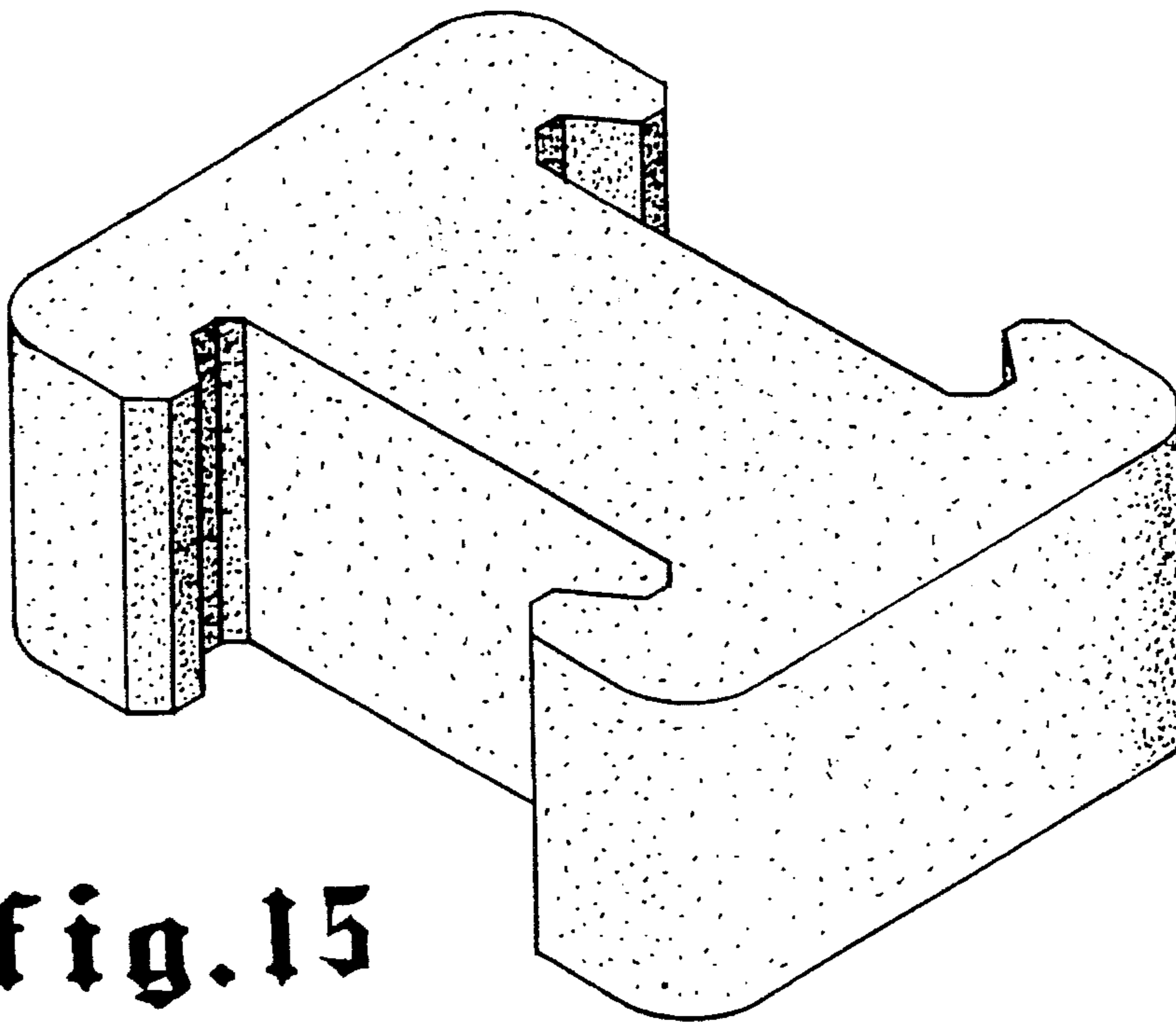


fig. 15

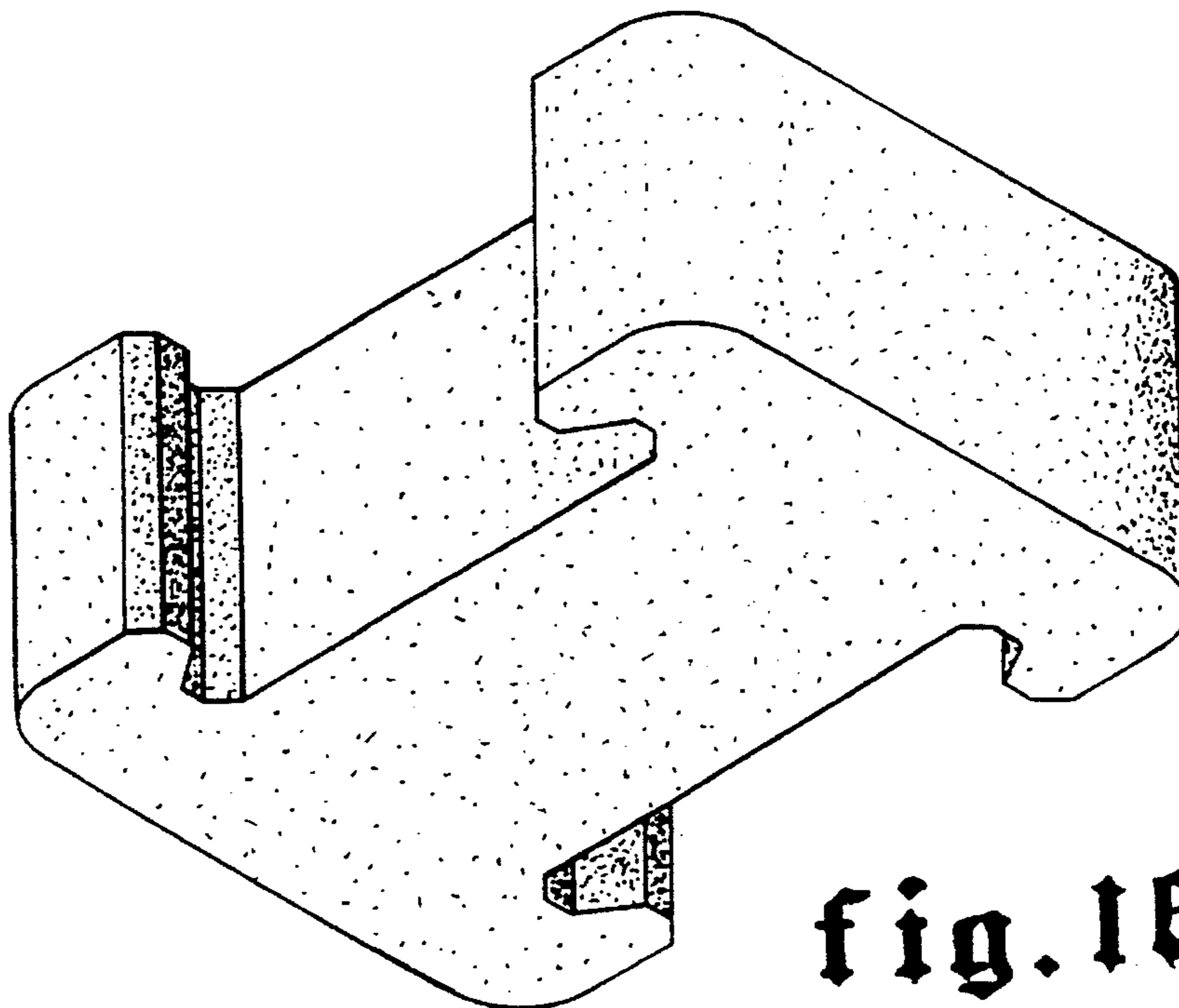


fig. 16