



US00D365403S

**United States Patent** [19]  
**Cetrulo**

[11] **Patent Number: Des. 365,403**  
[45] **Date of Patent: \*\*\* Dec. 19, 1995**

[54] **SPLIT CORNER ELL SLIP-ON PIPE FITTING**

4,610,432 9/1986 Lenis et al. .... 256/65  
5,257,794 11/1993 Nakamura ..... 211/182  
5,326,337 7/1994 Pardella ..... 403/170

[75] Inventor: **Marc E. Cetrulo**, Ft. Thomas, Ky.

**OTHER PUBLICATIONS**

[73] Assignee: **The Hollaender Manufacturing Co.**, Cincinnati, Ohio

Drawing of 1 1/4"x1 1/4" Nu-Rail Inside Corner Fitting No. 22 dated Aug. 17, 1976.

[\*] Notice: The portion of the term of this patent subsequent to Aug. 29, 2009, has been disclaimed.

*Primary Examiner*—Doris Clark  
*Attorney, Agent, or Firm*—Wood, Herron & Evans

[\*\*] Term: **14 Years**

[57] **CLAIM**

The ornamental design for a split corner ell slip-on pipe fitting, as shown and described.

[21] Appl. No.: **20,198**

**DESCRIPTION**

[22] Filed: **Mar. 21, 1994**

[52] **U.S. Cl.** ..... **D25/68**

[58] **Field of Search** ..... D25/66, 68, 61;  
403/231, 217, 169-170, 297; 182/27; 256/65;  
211/186, 189

FIG. 1 is a perspective view of my split corner ell slip-on pipe fitting design, depicting the front, left side, and top thereof;

FIG. 2 is a front elevational view thereof;

FIG. 3 is a rear elevational view thereof;

FIG. 4 is a right side elevational view thereof;

FIG. 5 is a top plan view thereof; and,

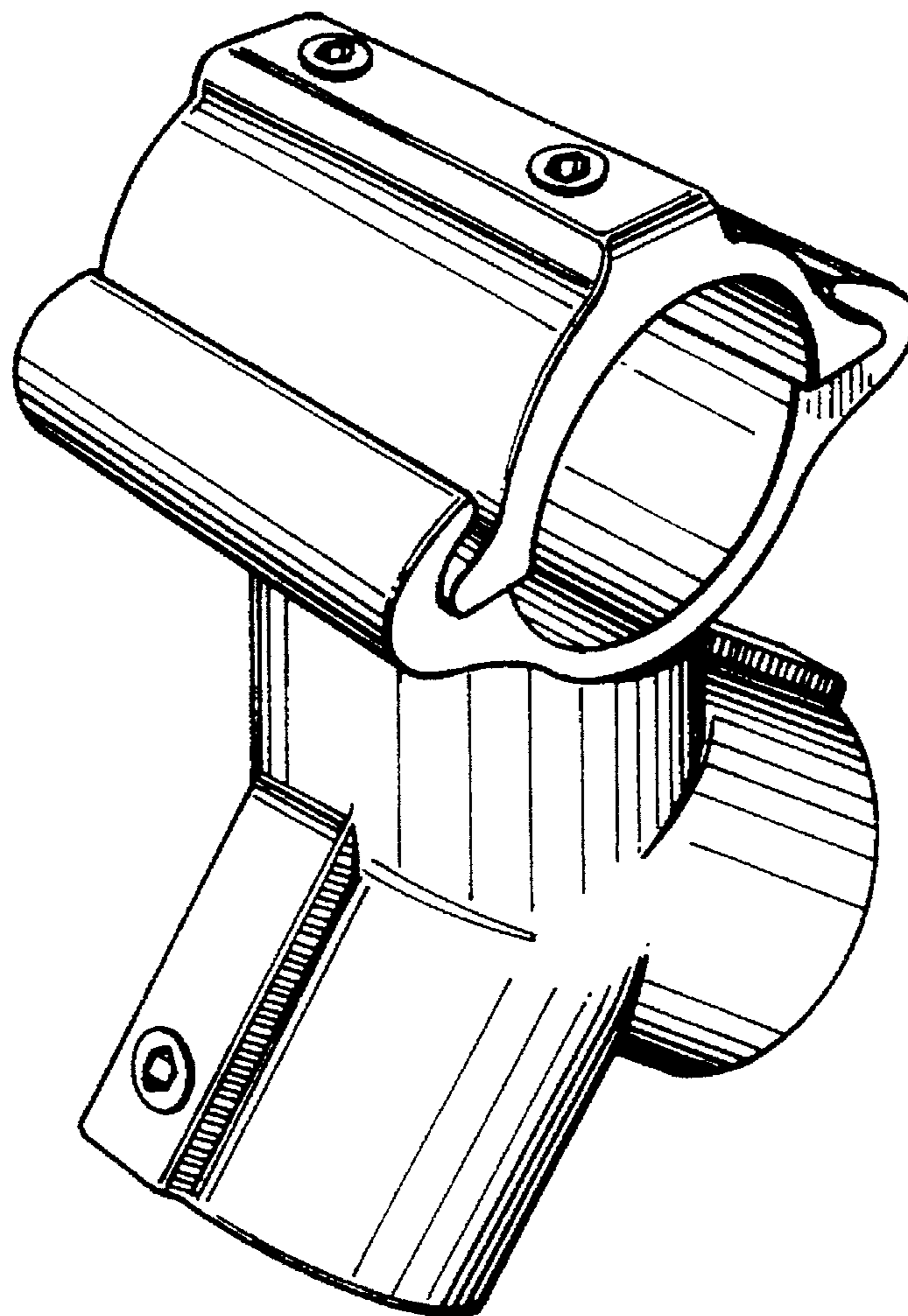
FIG. 6 is a bottom plan view thereof.

[56] **References Cited**

**U.S. PATENT DOCUMENTS**

1,963,981 6/1934 Carr et al. .... D25/66

**1 Claim, 1 Drawing Sheet**



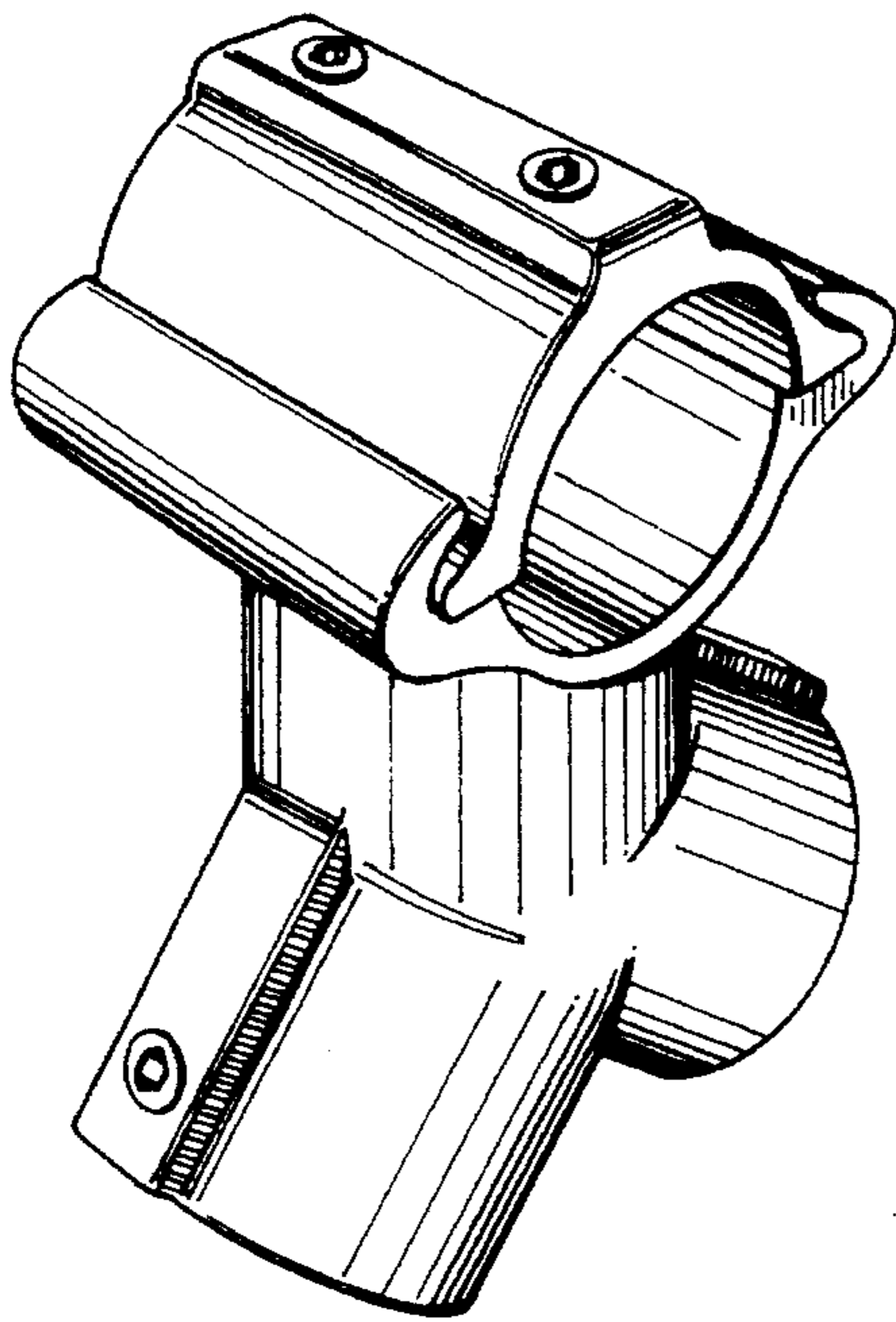


FIG. 1

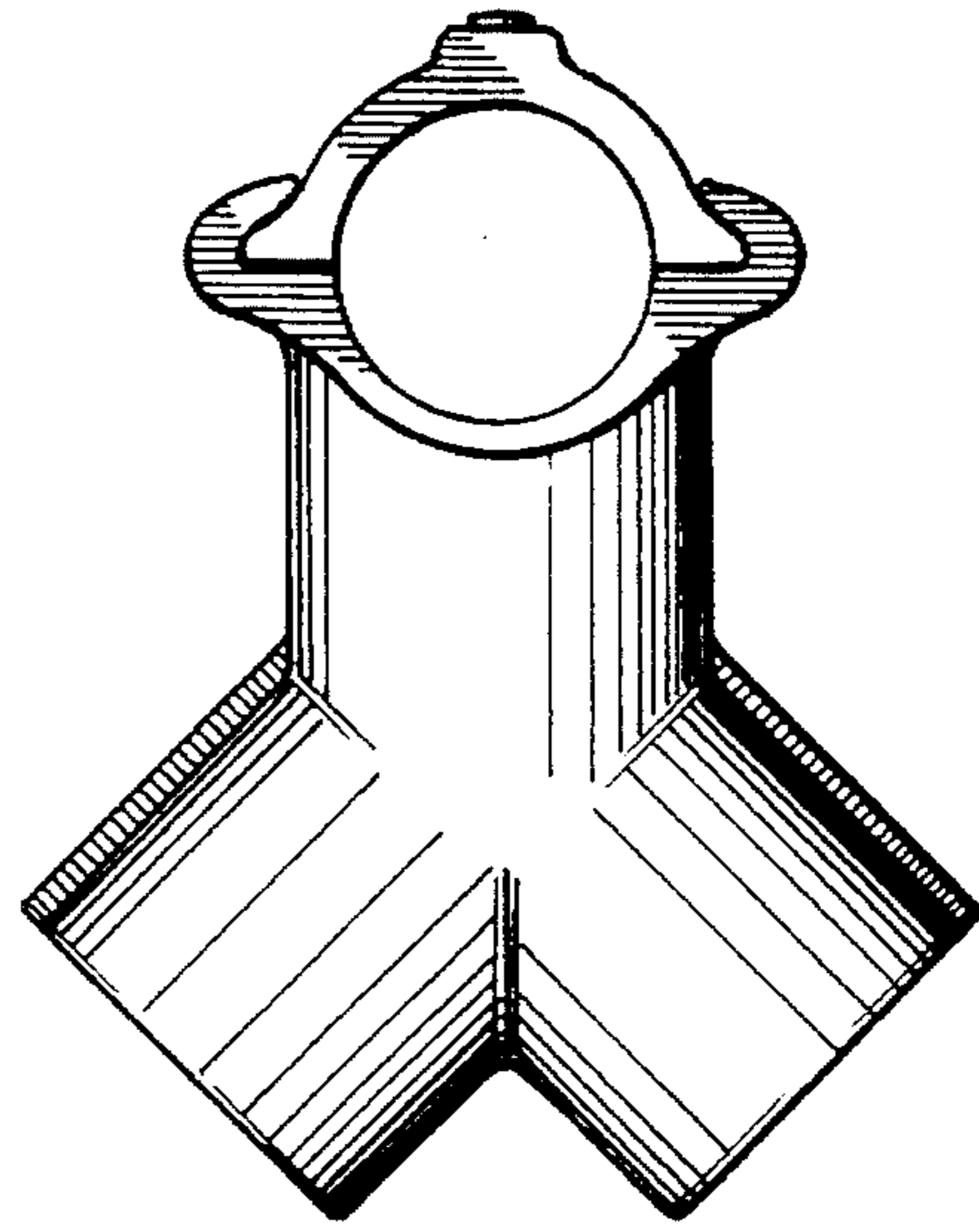


FIG. 2

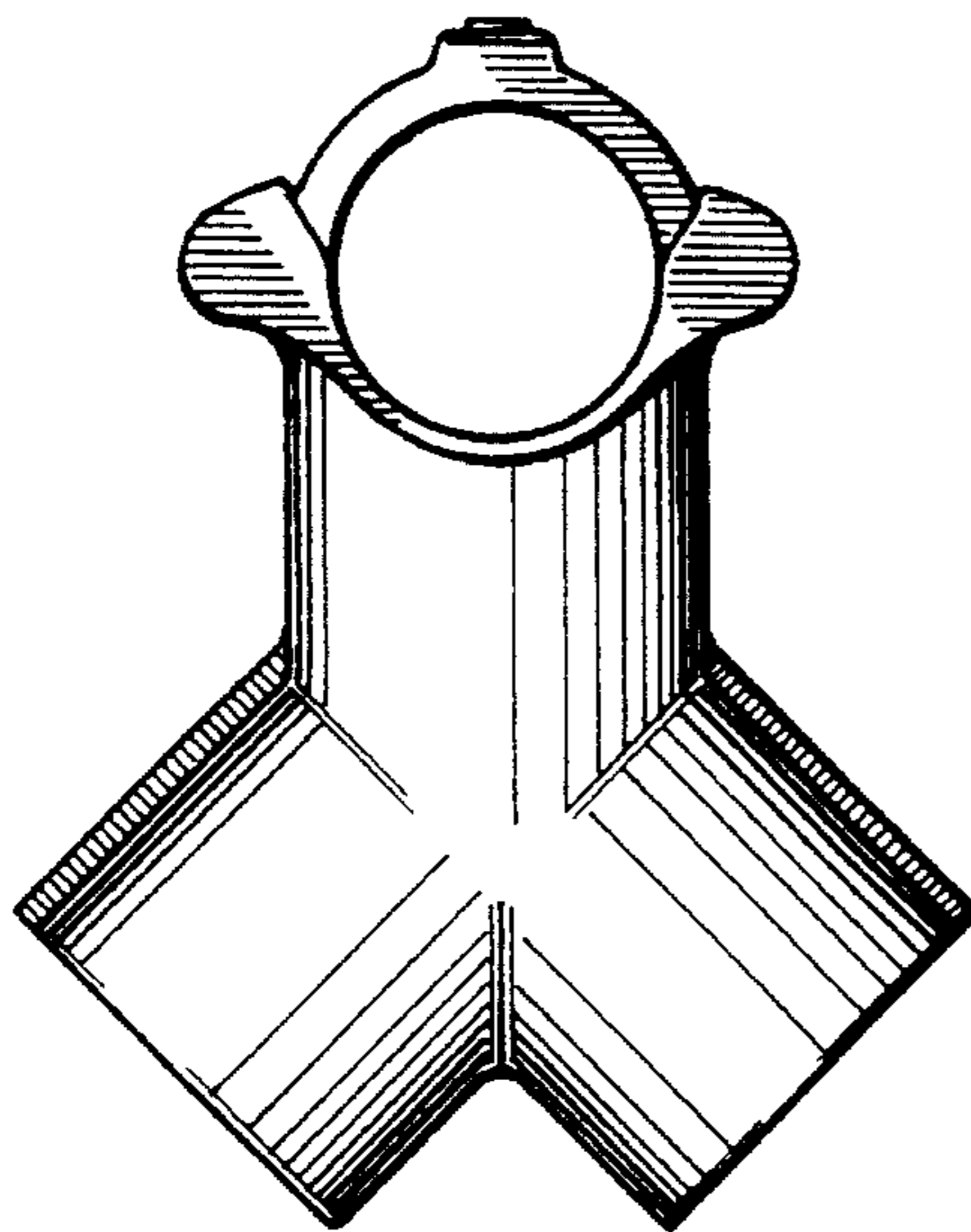


FIG. 3

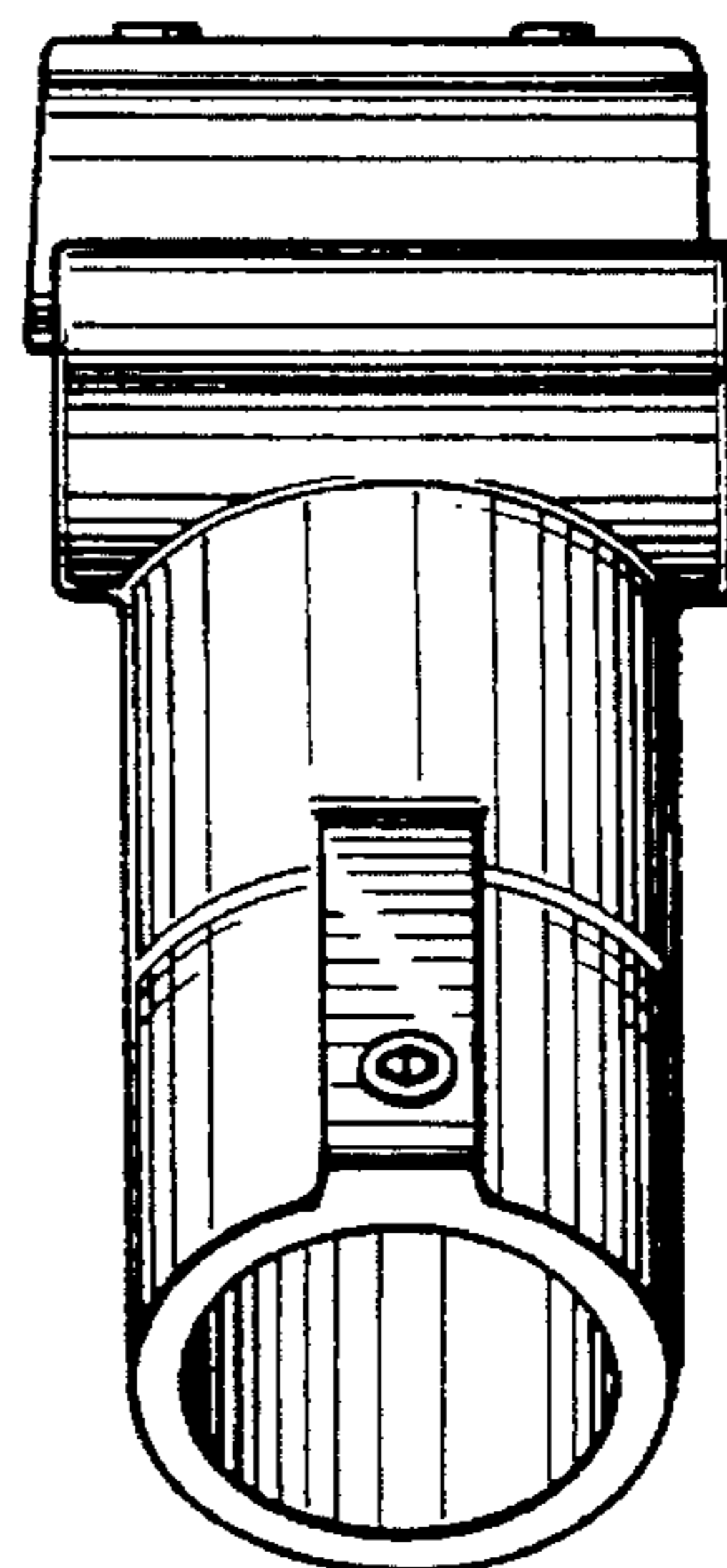


FIG. 4

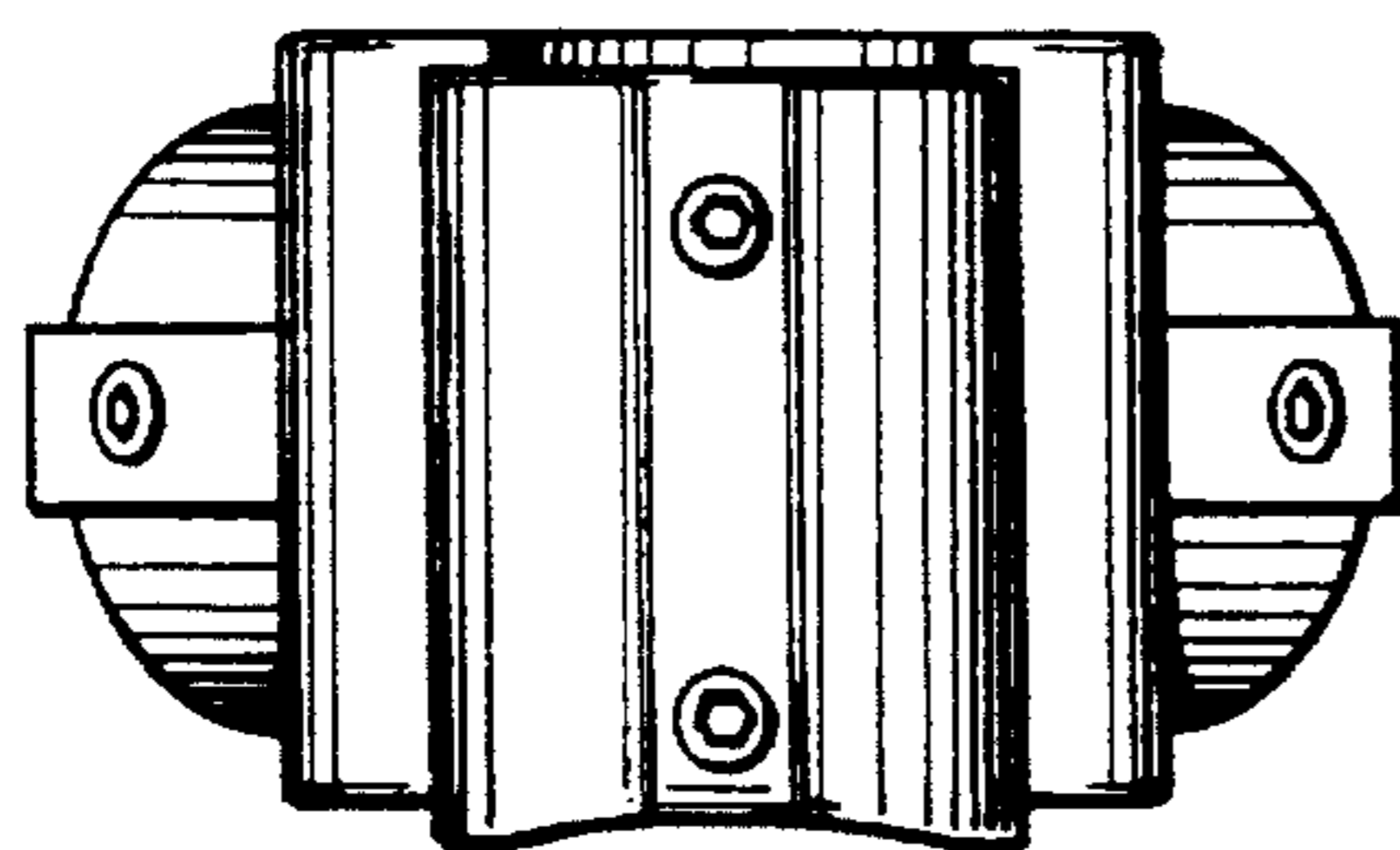


FIG. 5

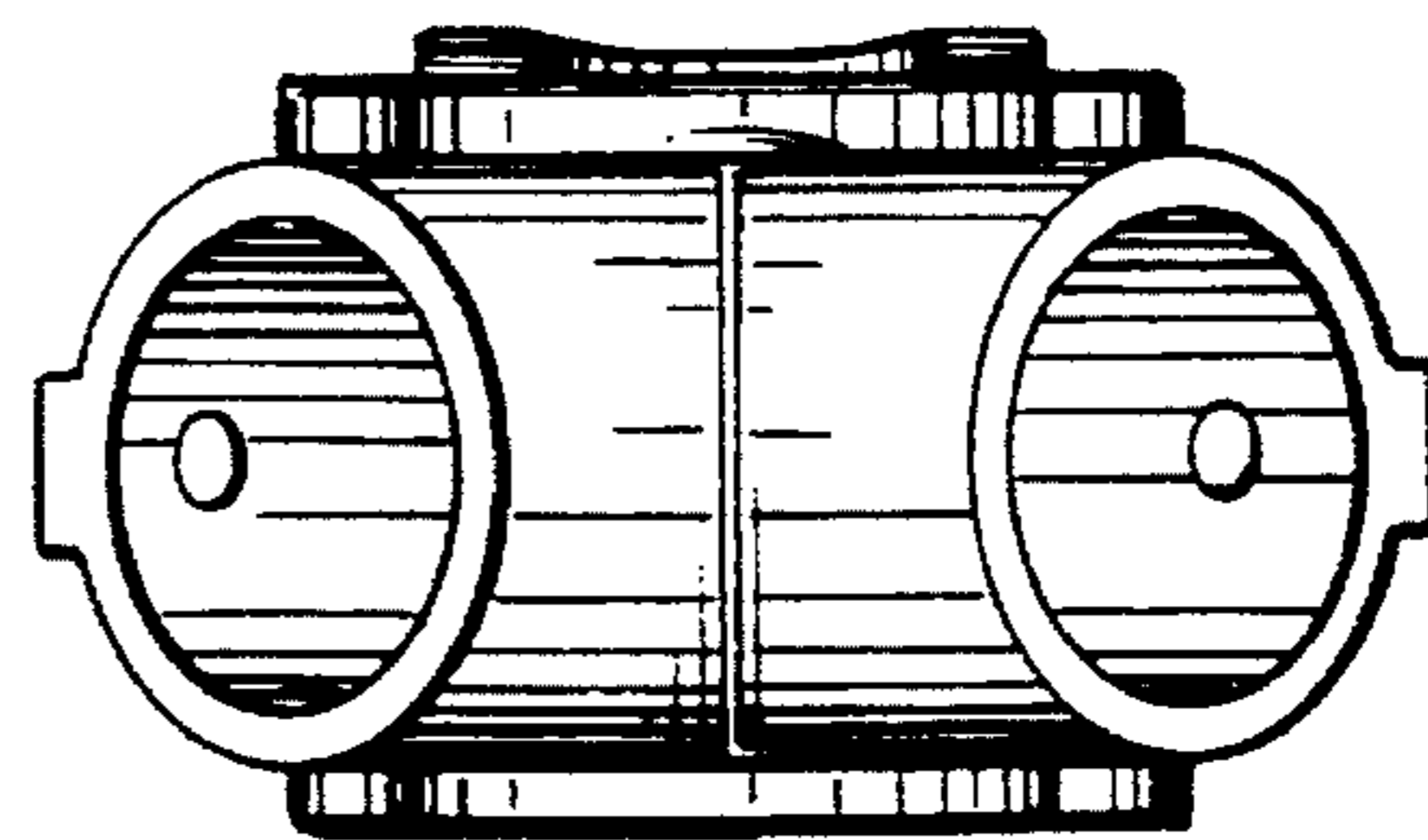


FIG. 6