



US00D365401S

United States Patent [19]

[11] Patent Number: **Des. 365,401**

Rico Villena

[45] Date of Patent: ****Dec. 19, 1995**

[54] **SEPARATOR MADE IN CONCRETE FOR IRON FRAMES**

5,271,203 12/1993 Nagle 52/294 X Z
5,392,575 2/1995 Hoffman et al. 52/294 X Z

[76] Inventor: **Antonio Rico Villena**, Ctra. C. 344
P.K. 80,8, 29130 Alhaurin de la Torre
(Malaga), Spain

Primary Examiner—Antoine Duval Davis
Attorney, Agent, or Firm—Birch, Stewart, Kolasch & Birch

[**] Term: **14 Years**

[57] **CLAIM**

The ornamental design for a separator made in concrete for iron frames, as shown and described.

[21] Appl. No.: **32,432**

DESCRIPTION

[22] Filed: **Dec. 19, 1994**

[52] U.S. Cl. **D25/61**

[58] Field of Search D25/113, 114,
D25/115, 116, 117; 52/292, 294, 296, 297,
384, 385; 248/351, 354.5, 357

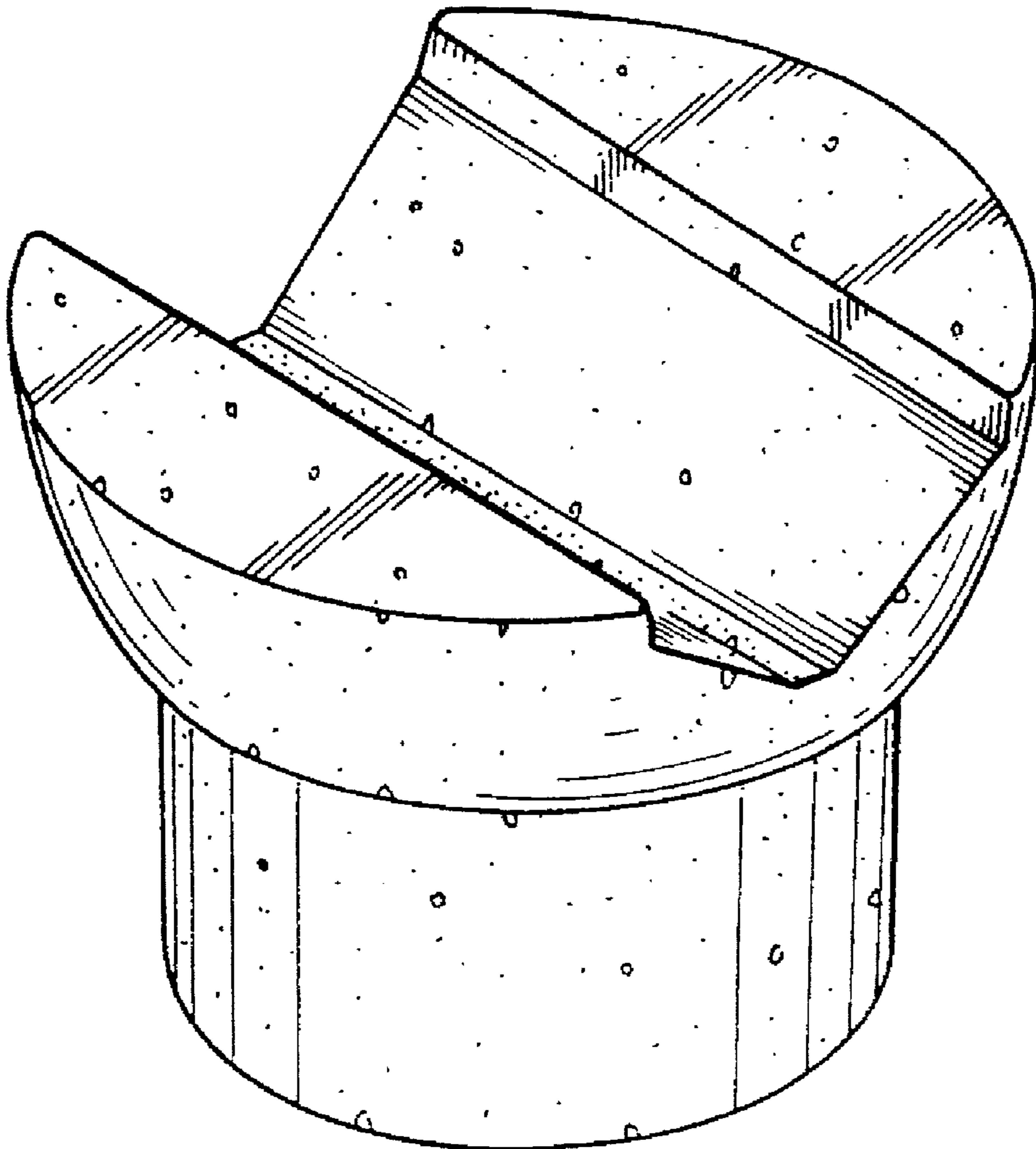
FIG. 1 is a perspective view of a separator made in concrete for iron frames of my new design;
FIG. 2 is a left side elevational view of my new design, the right side being a mirror image thereof;
FIG. 3 is a top plan view of my new design;
FIG. 4 is a bottom plan view of my new design; and,
FIG. 5 is a front elevational view of my new design, the back elevational view being a mirror image thereof.

[56] **References Cited**

U.S. PATENT DOCUMENTS

2,978,780 4/1961 Clarkson 52/297 X Z
4,125,973 11/1978 Lendrihas D25/61 X

1 Claim, 1 Drawing Sheet



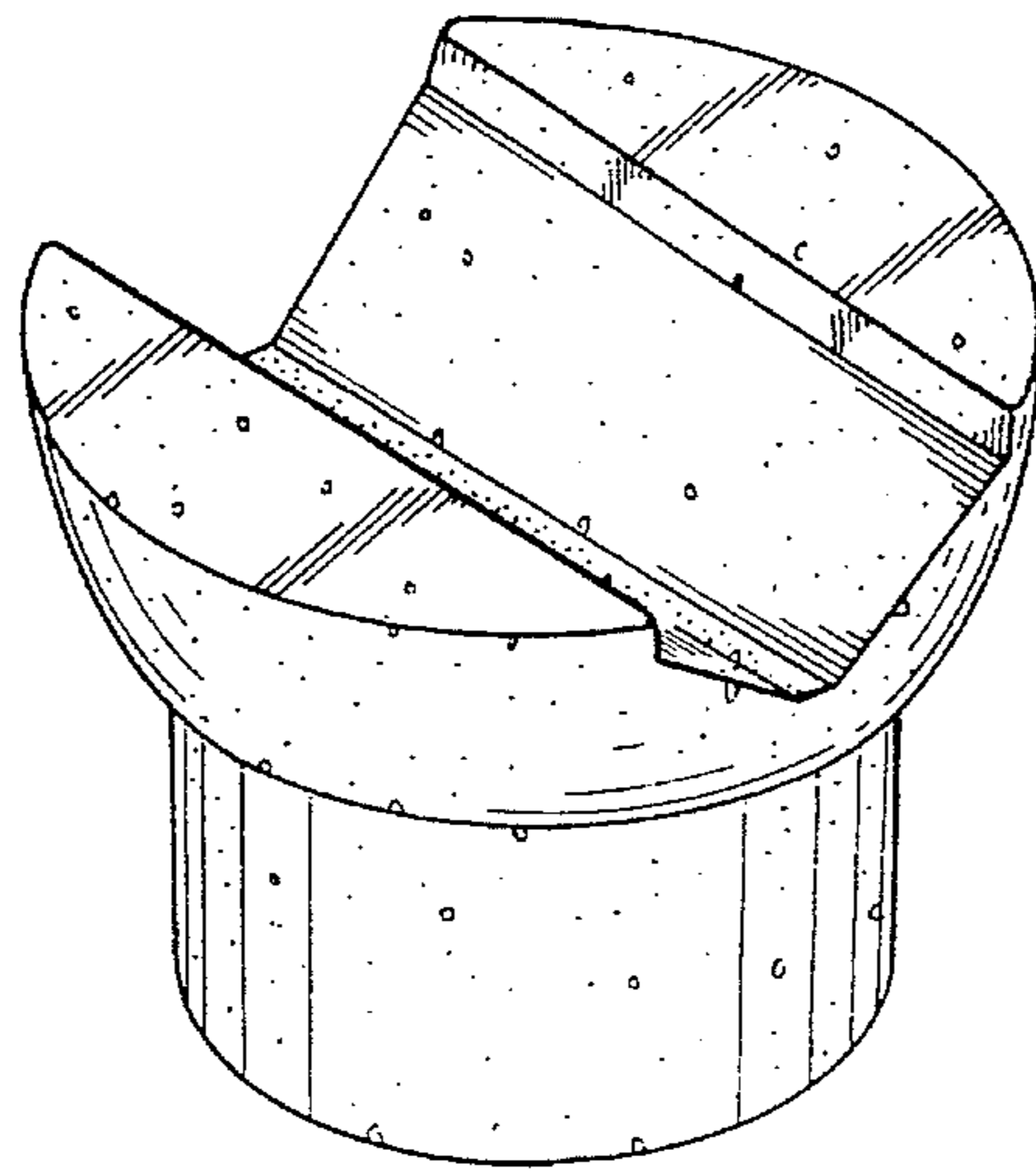


FIG. 1

FIG. 2

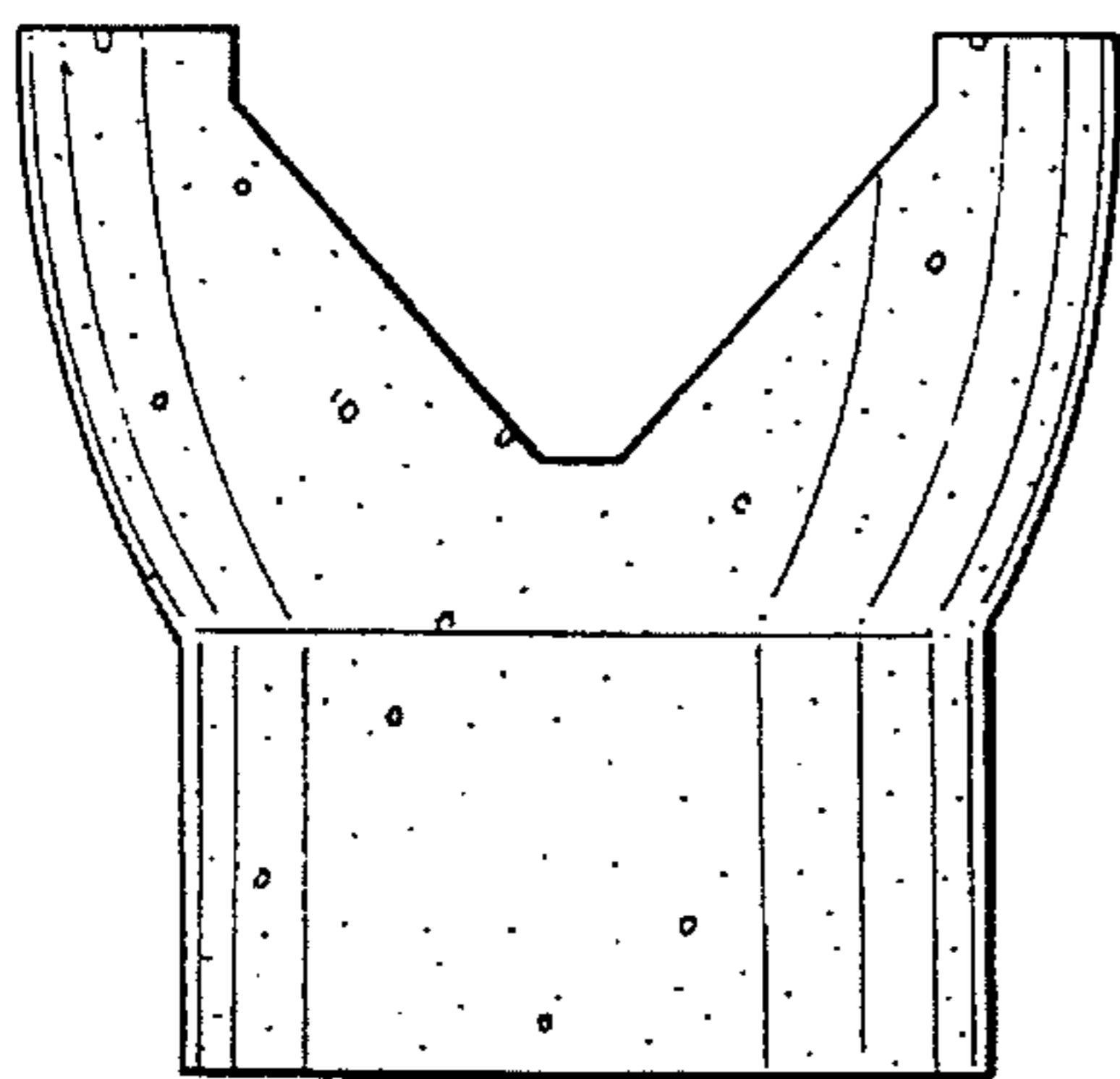


FIG. 3

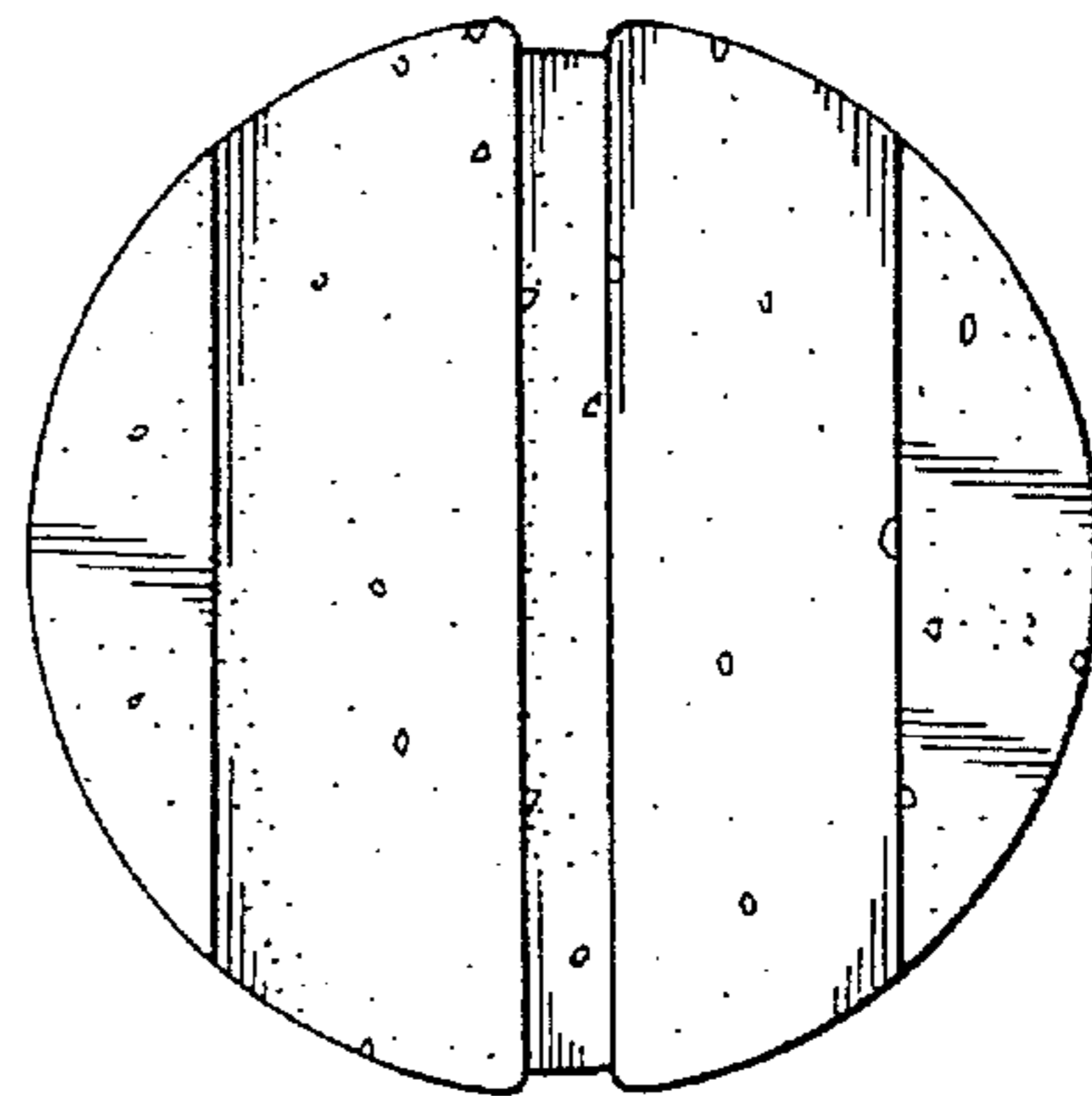


FIG. 4

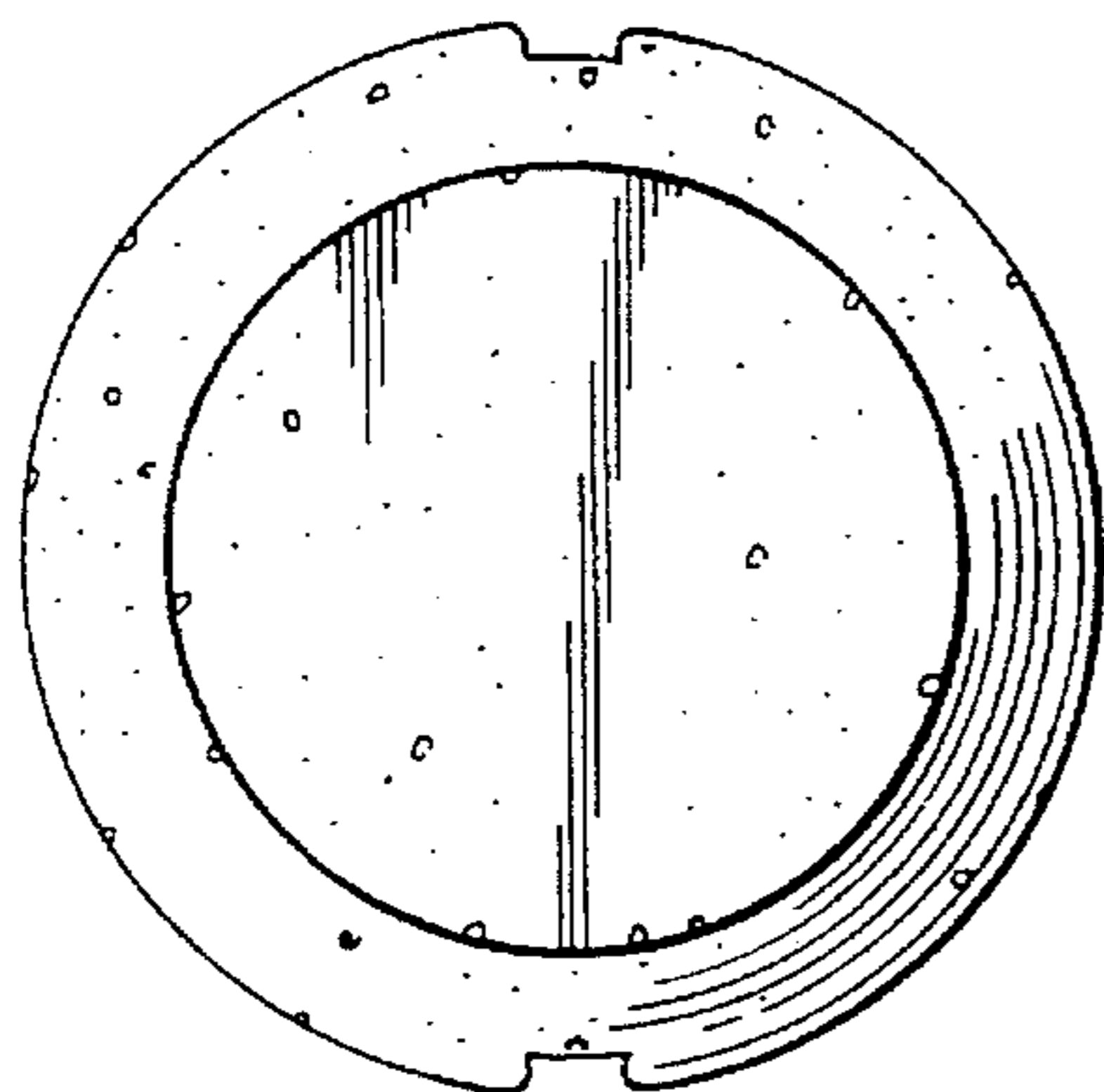


FIG. 5

