



US00D365394S

United States Patent [19] Zweig

[11] Patent Number: Des. 365,394
[45] Date of Patent: **Dec. 19, 1995

[54] CART FOR FIREWOOD

Stenzel

[76] Inventor: William R. Zweig, R.R. 1, Box 169,
Walla Walla, Wash. 99362

[57] CLAIM

[**] Term: 14 Years

The ornamental design for a cart for firewood, as shown and described.

[21] Appl. No.: 24,558

DESCRIPTION

[22] Filed: Jun. 16, 1994

[52] U.S. Cl. D23/410; D34/19

[58] Field of Search D23/410; D34/19,
D34/17; 280/47.26, 47.17

FIG. 1 is a right side elevational view of a cart for firewood showing my new design, the left side view being a mirror image of that shown;

FIG. 2 is a front elevational view of FIG. 1 and FIG. 6;

FIG. 3 is an rear elevational view of FIG. 1 and FIG. 6;

FIG. 4 is a top plan view of FIG. 1 and FIG. 6;

FIG. 5 is a bottom plan view of FIG. 1 and FIG. 6; and,

FIG. 6 is a right side elevational view of a cart for firewood showing a second embodiment of my new design, the left side view being a mirror image of that shown.

The sole difference between the first and second embodiments resides in the appearance of the height of the side walls.

[56] References Cited

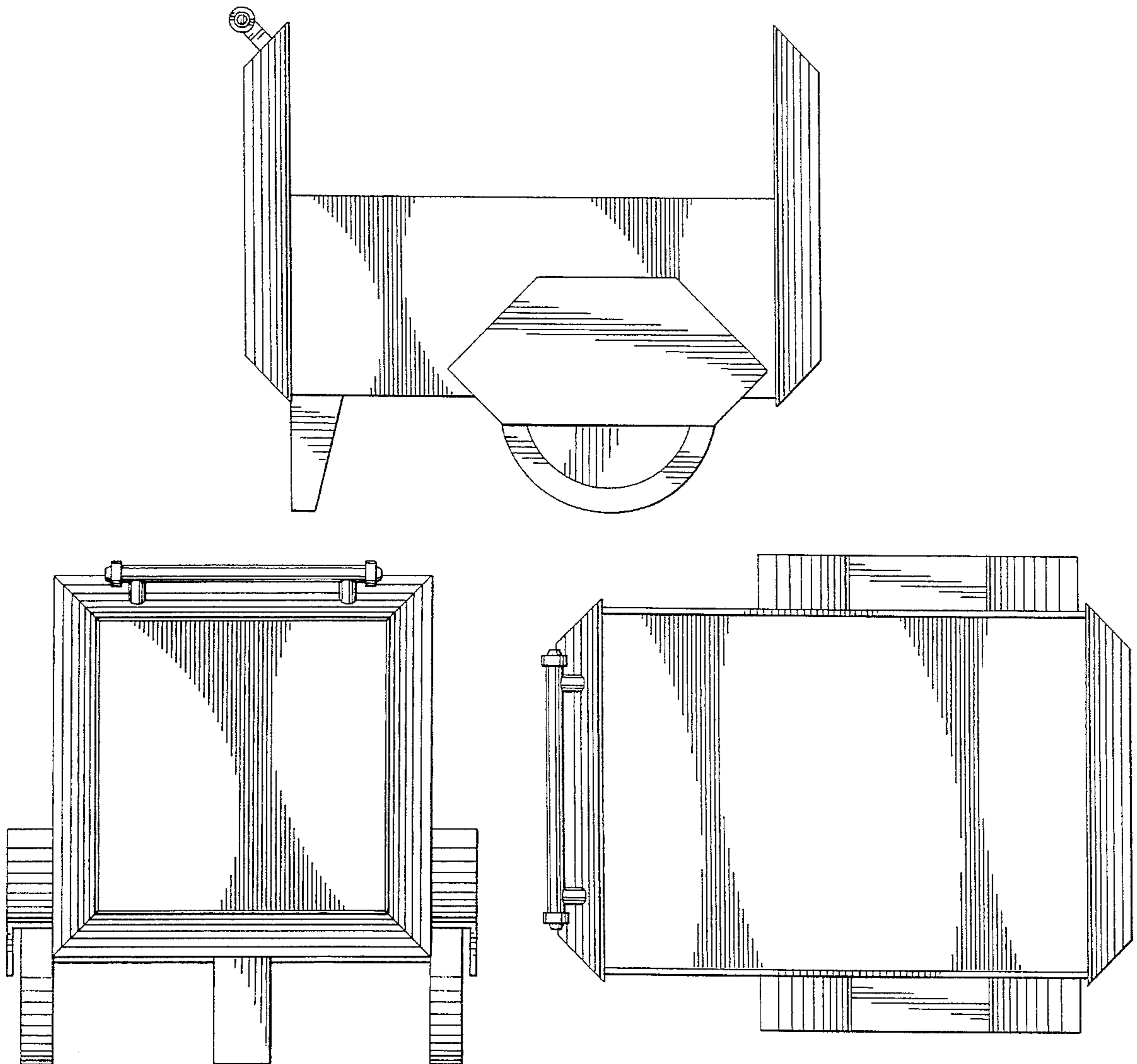
U.S. PATENT DOCUMENTS

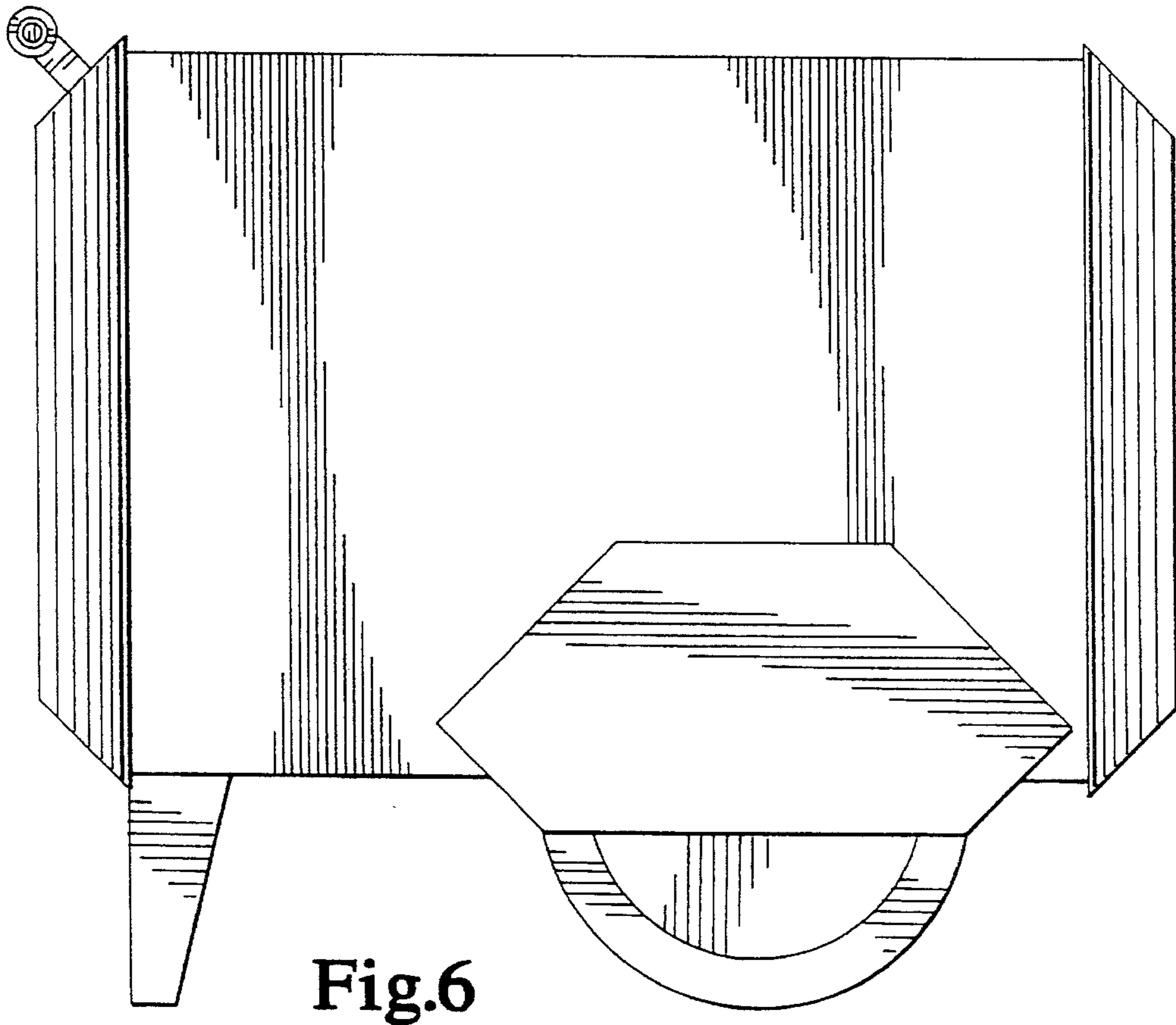
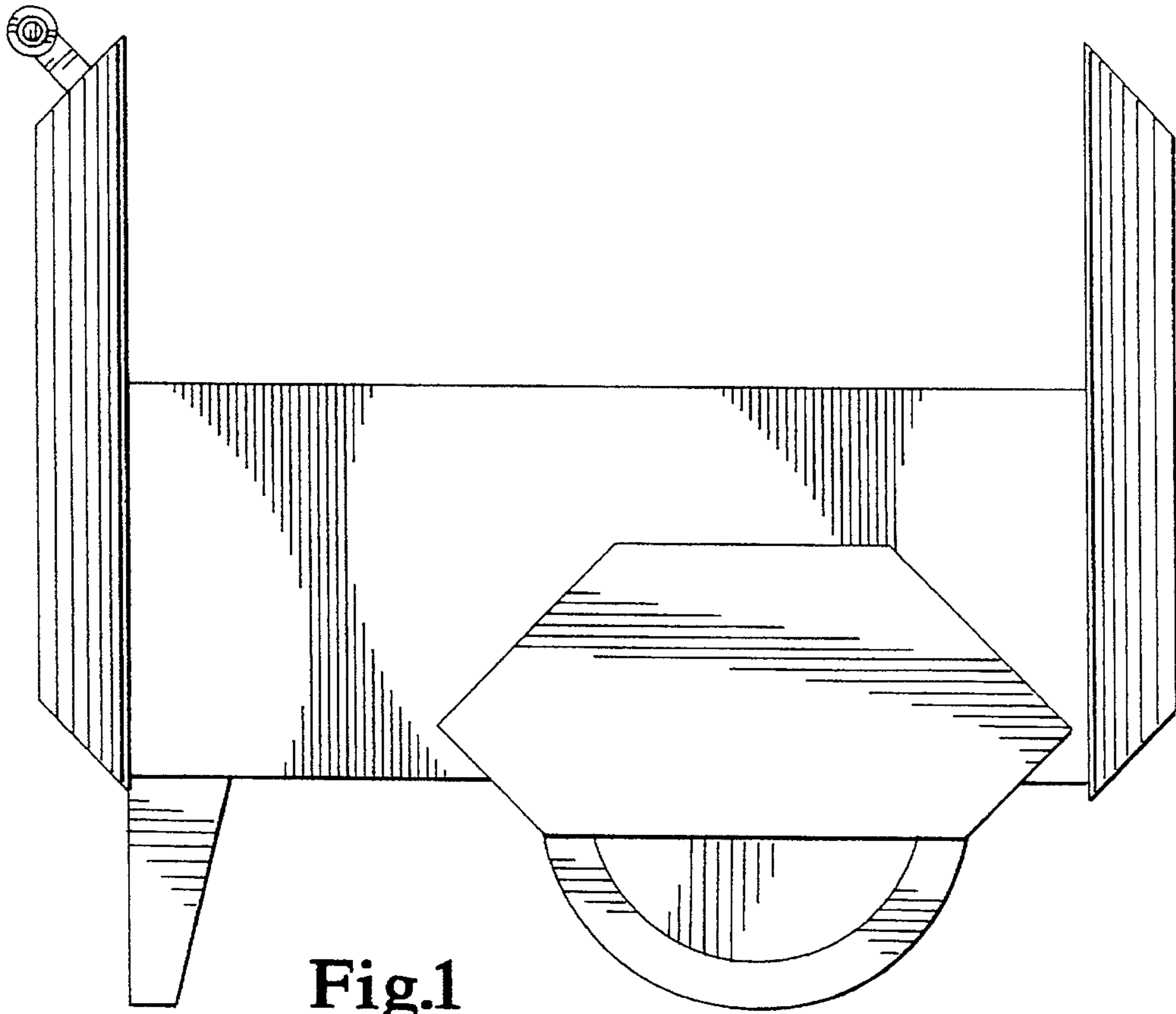
D. 230,257	2/1974	Corini	D34/19
D. 344,584	2/1994	Carney	D34/19
4,413,834	11/1983	Base	280/47.26
4,534,576	8/1985	Jones, Jr.	280/47.26

Primary Examiner—Lisa P. Lichtenstein

Attorney, Agent, or Firm—Chernoff, Vilhauer, McClung &

1 Claim, 3 Drawing Sheets





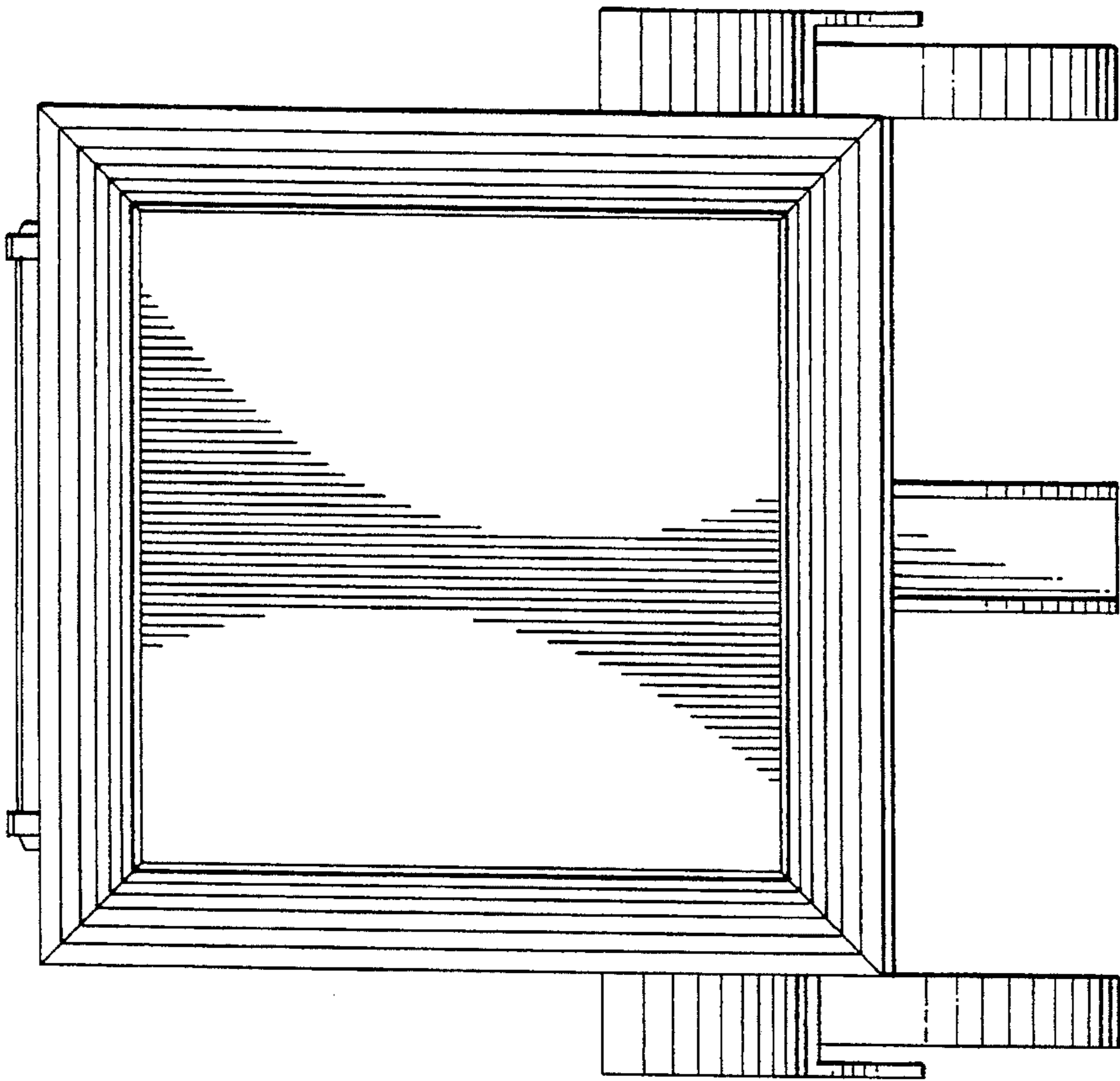


Fig.3

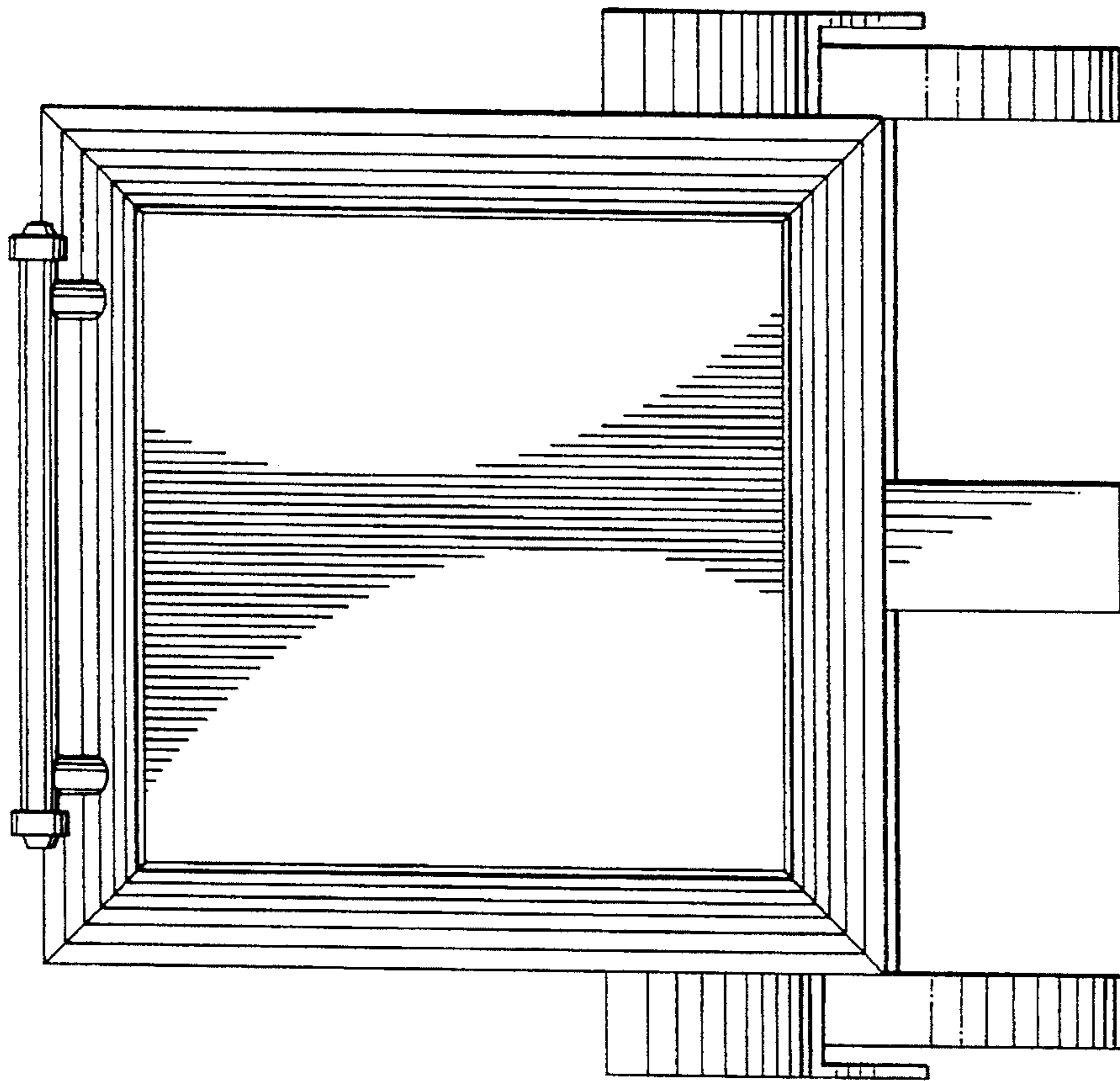


Fig.2

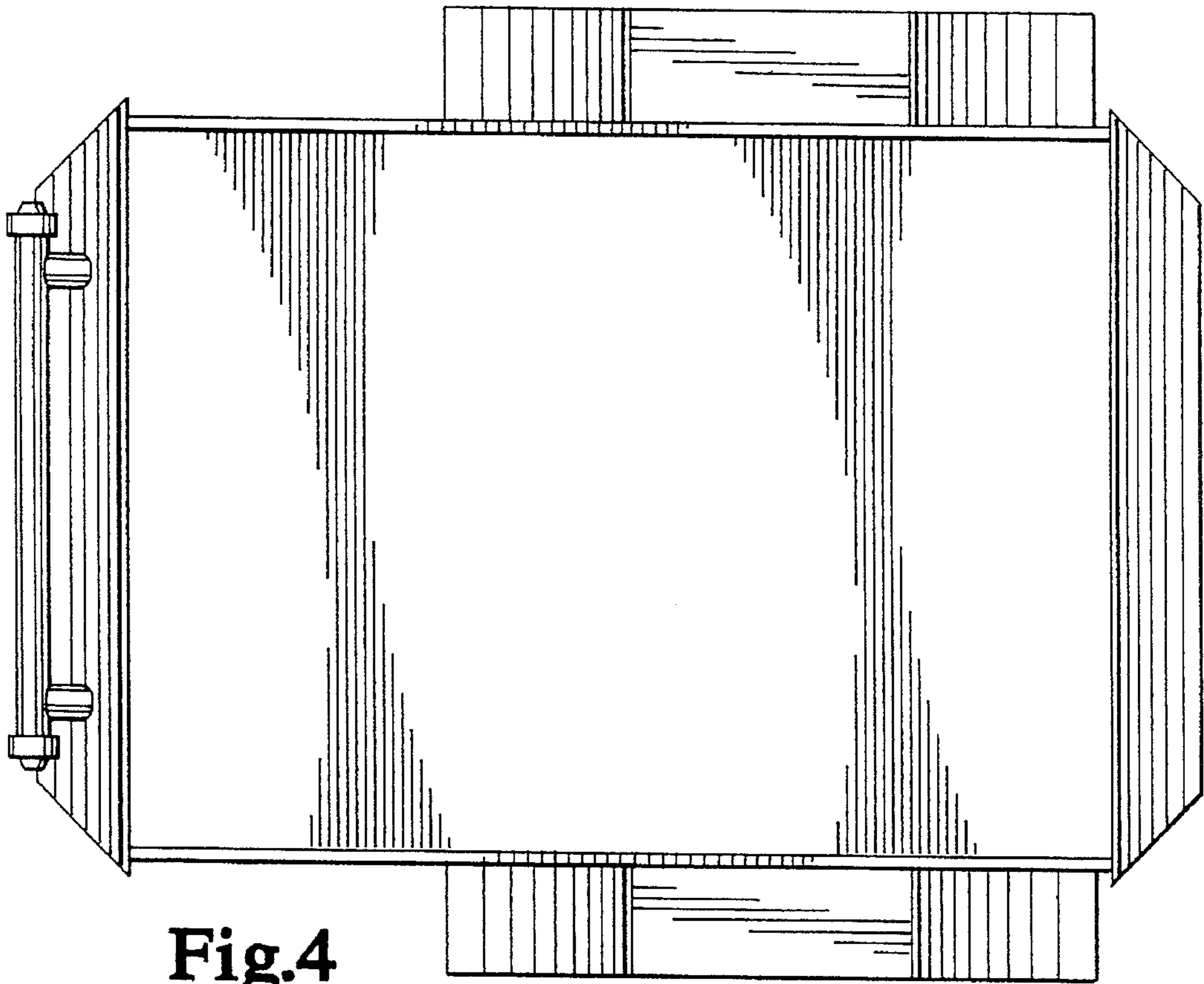


Fig.4

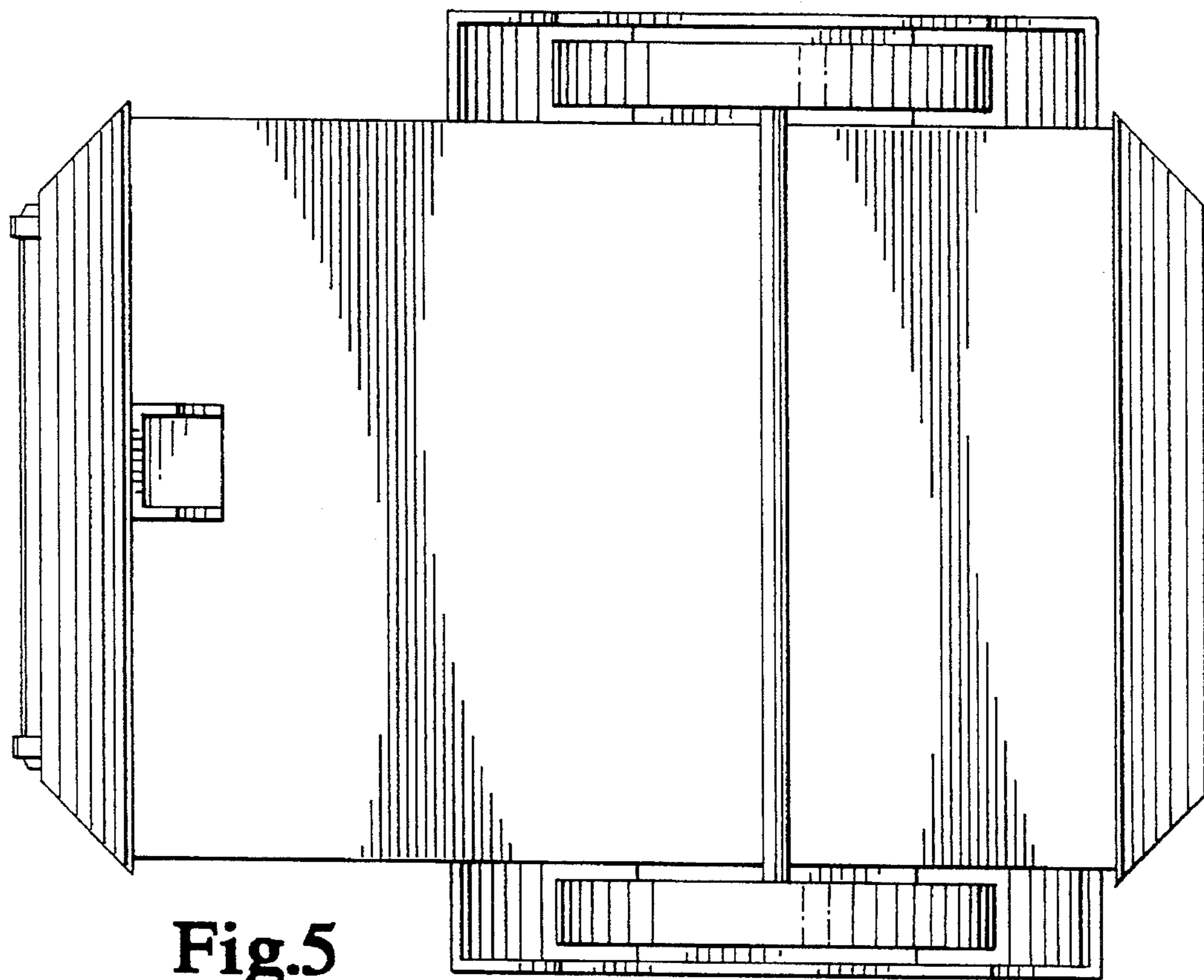


Fig.5