



US00D365393S

# United States Patent [19] Geun

[11] Patent Number: **Des. 365,393**

[45] Date of Patent: **\*\*Dec. 19, 1995**

[54] **SMALL ELECTRIC FAN**

[75] Inventor: **Ha H. Geun**, Kyungki-Do, Rep. of Korea

[73] Assignee: **Circular, Inc.**, Niles, Ill.

[\*\*] Term: **14 Years**

[21] Appl. No.: **18,948**

[22] Filed: **Feb. 18, 1994**

[52] U.S. Cl. .... **D23/382**; D23/332; D23/381

[58] Field of Search ..... D23/370, 381,  
D23/382, 328, 411, 412, 335, 336, 332;  
248/688; 416/246 R; 362/96

[56] **References Cited**

**U.S. PATENT DOCUMENTS**

D. 313,275 12/1990 Aida ..... D23/370

**FOREIGN PATENT DOCUMENTS**

297794 12/1988 Japan ..... 416/246

**OTHER PUBLICATIONS**

Hong Kong Enterprise Jun. 1992, p. 172, Fan I, top right side of page, and p. 309, Fan A, top middle of page.

*Primary Examiner*—Lisa P. Lichtenstein

*Attorney, Agent, or Firm*—Howard R. Popper

[57] **CLAIM**

The ornamental design for a small electric fan, as shown.

**DESCRIPTION**

FIG. 1 shows a three-quarter front perspective view of the ornamental design of electric fan;

FIG. 2 shows a three-quarter rear perspective view of the ornamental design of electric fan;

FIG. 3 shows a full front view of the ornamental design of the fan;

FIG. 4 shows a right side view of the ornamental design of the fan;

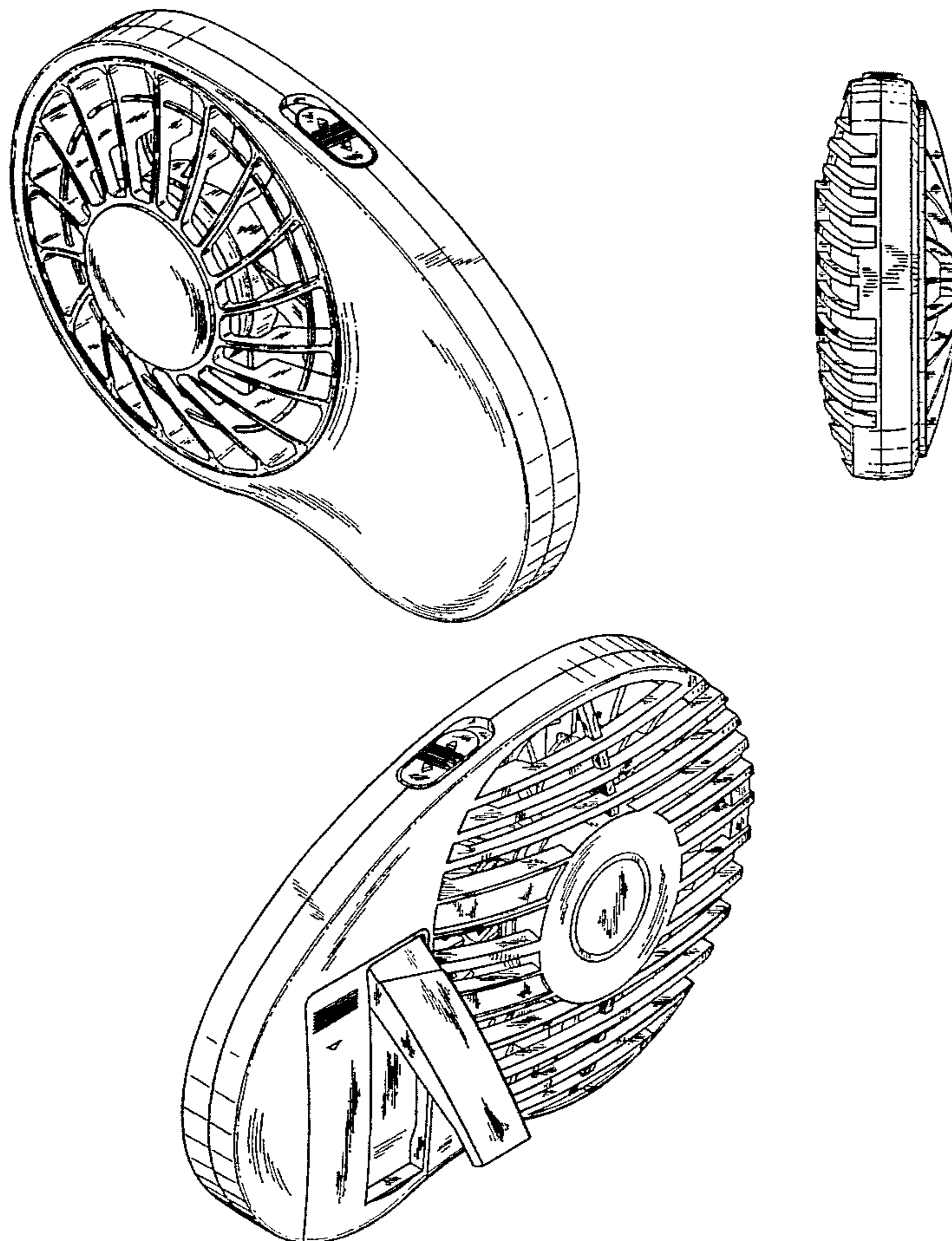
FIG. 5 shows a left side view of the ornamental design of the fan;

FIG. 6 shows a full rear view of the ornamental design of the fan;

FIG. 7 shows a top view of the ornamental design of the fan; and,

FIG. 8 shows a bottom view of the ornamental design of the fan.

**1 Claim, 3 Drawing Sheets**



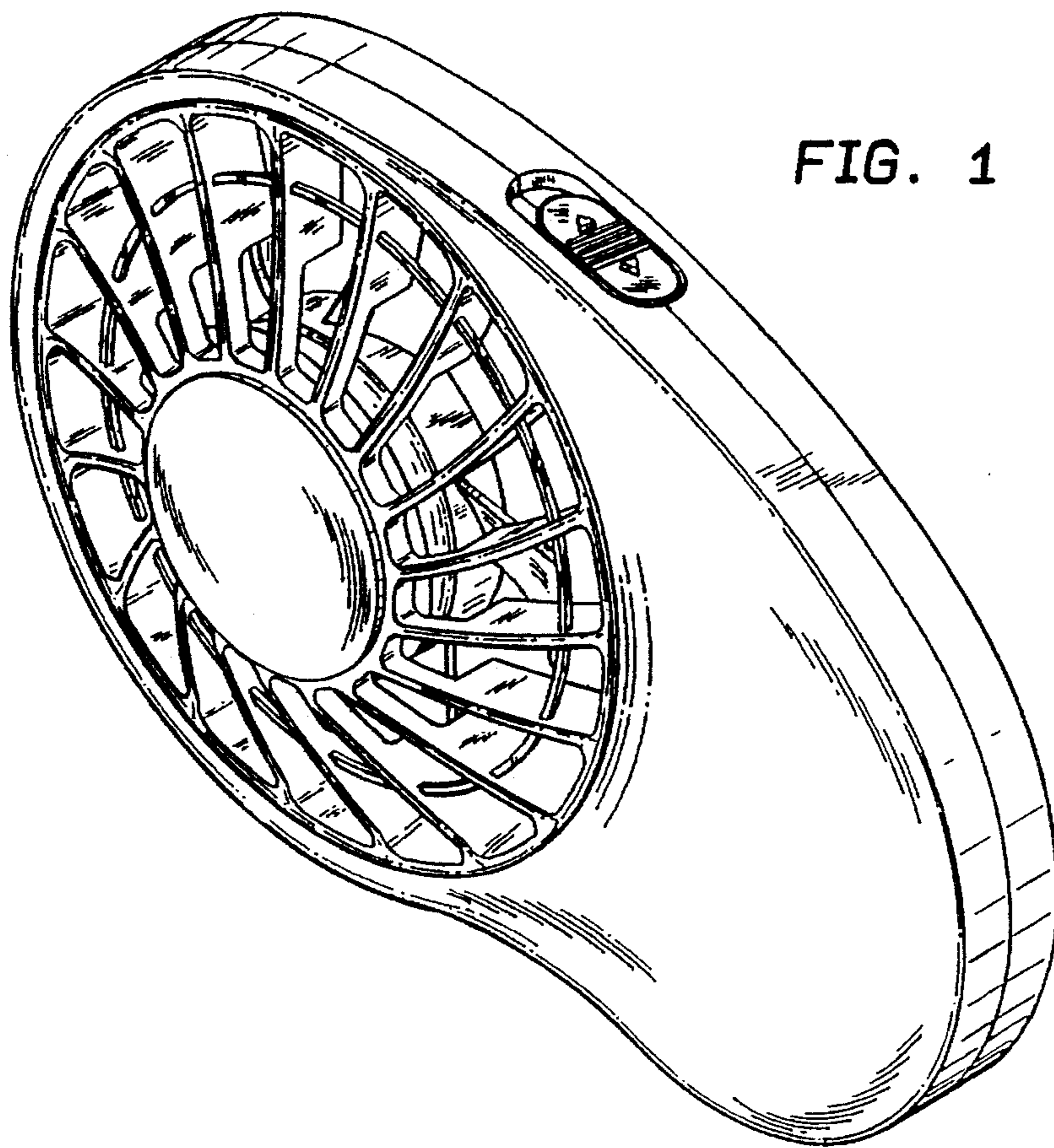


FIG. 1

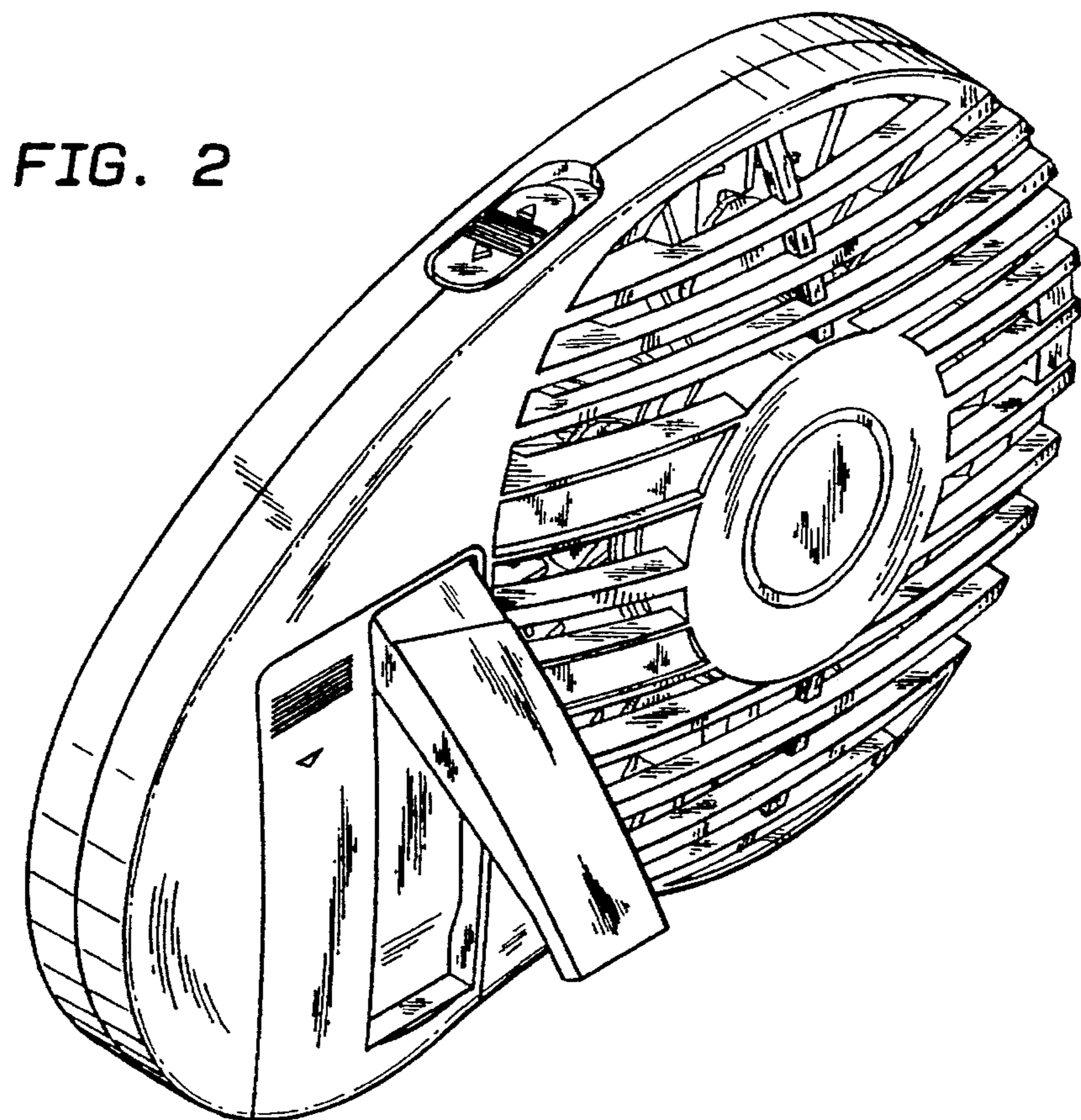


FIG. 2

FIG. 4

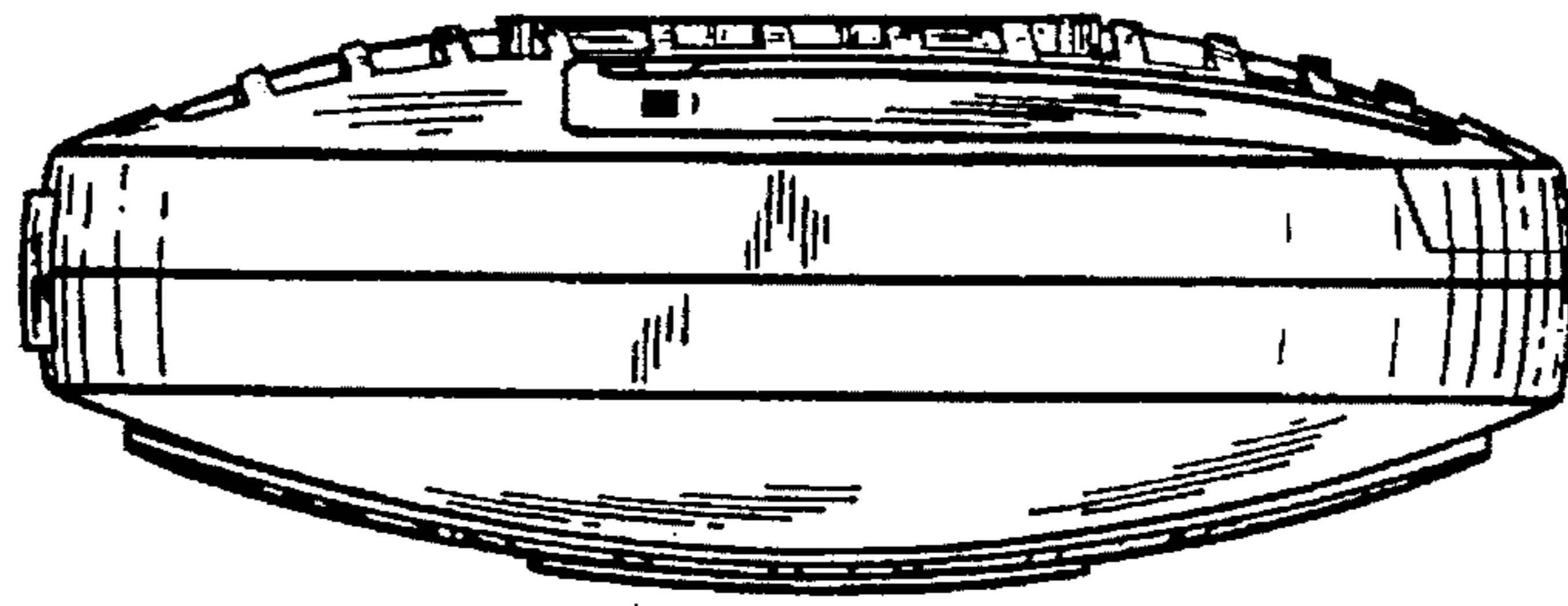


FIG. 3

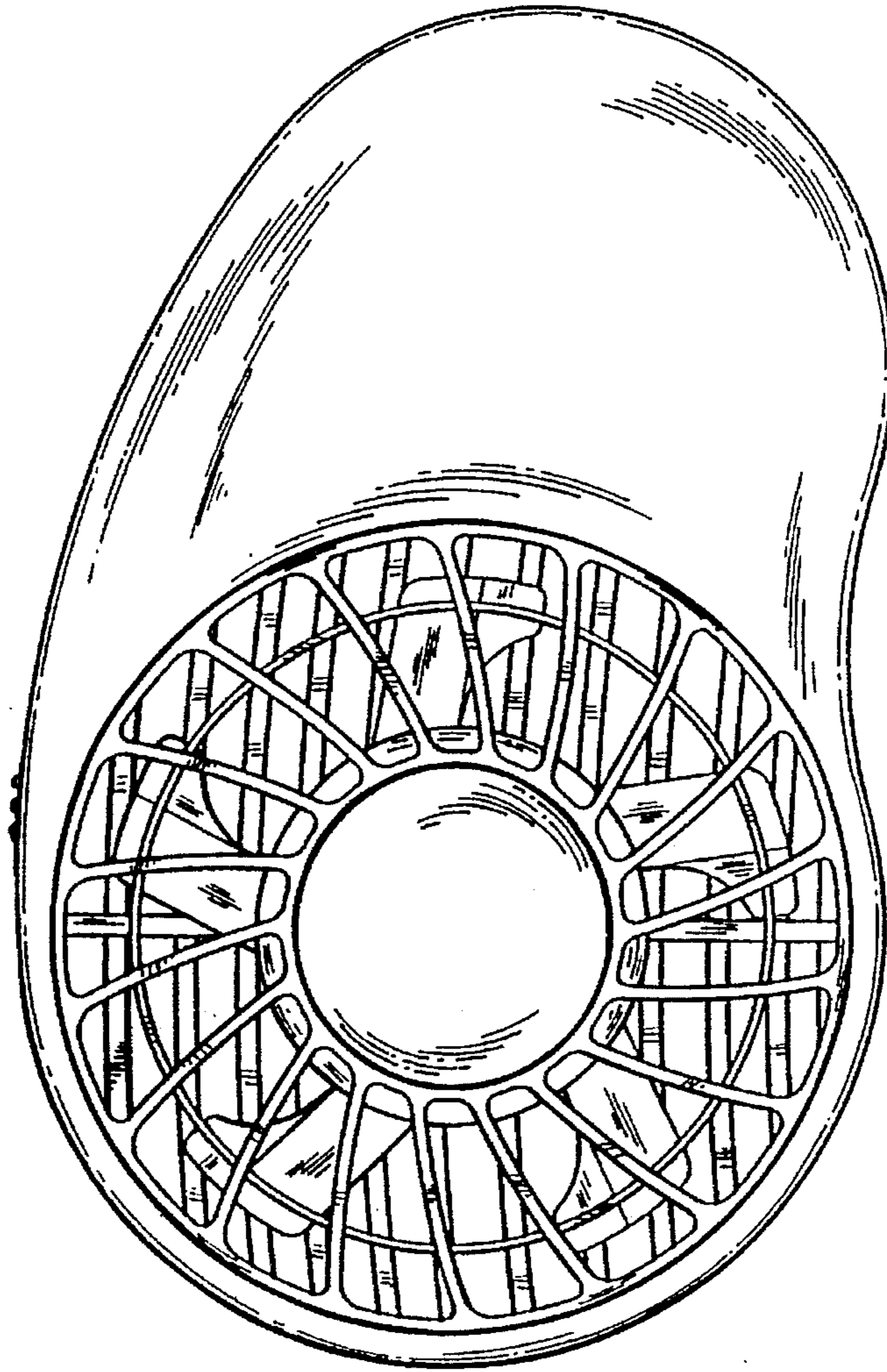


FIG. 5

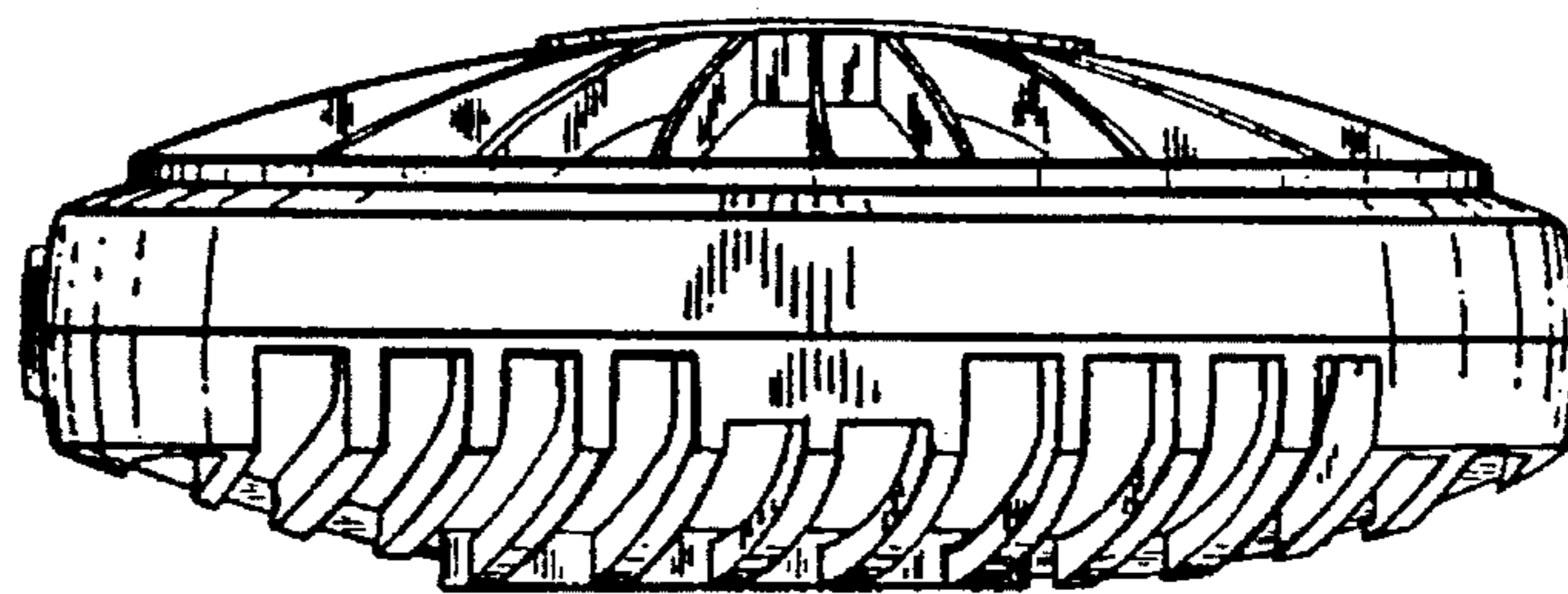


FIG. 7

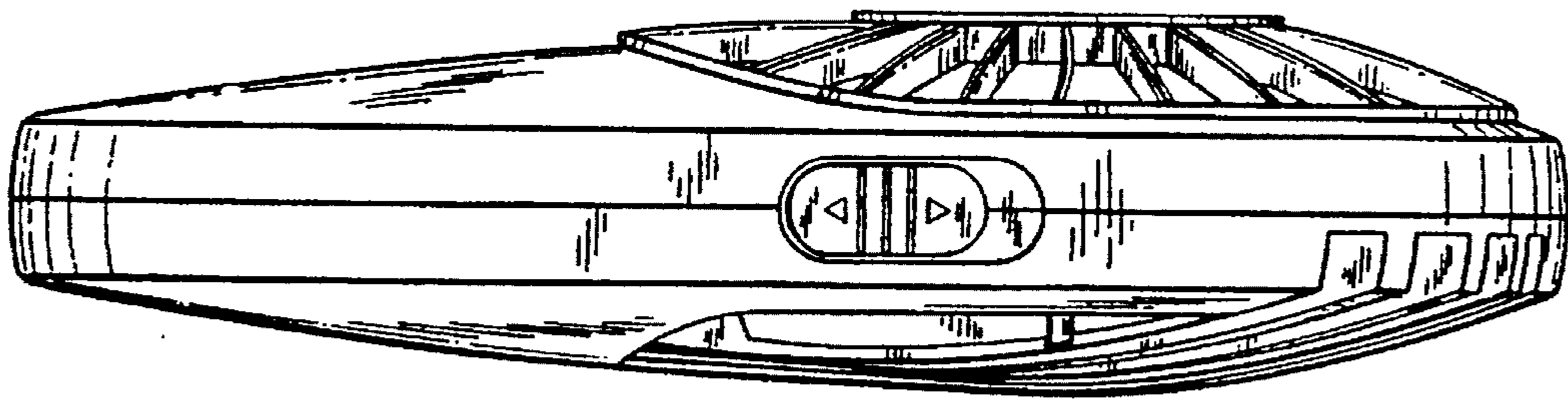


FIG. 6

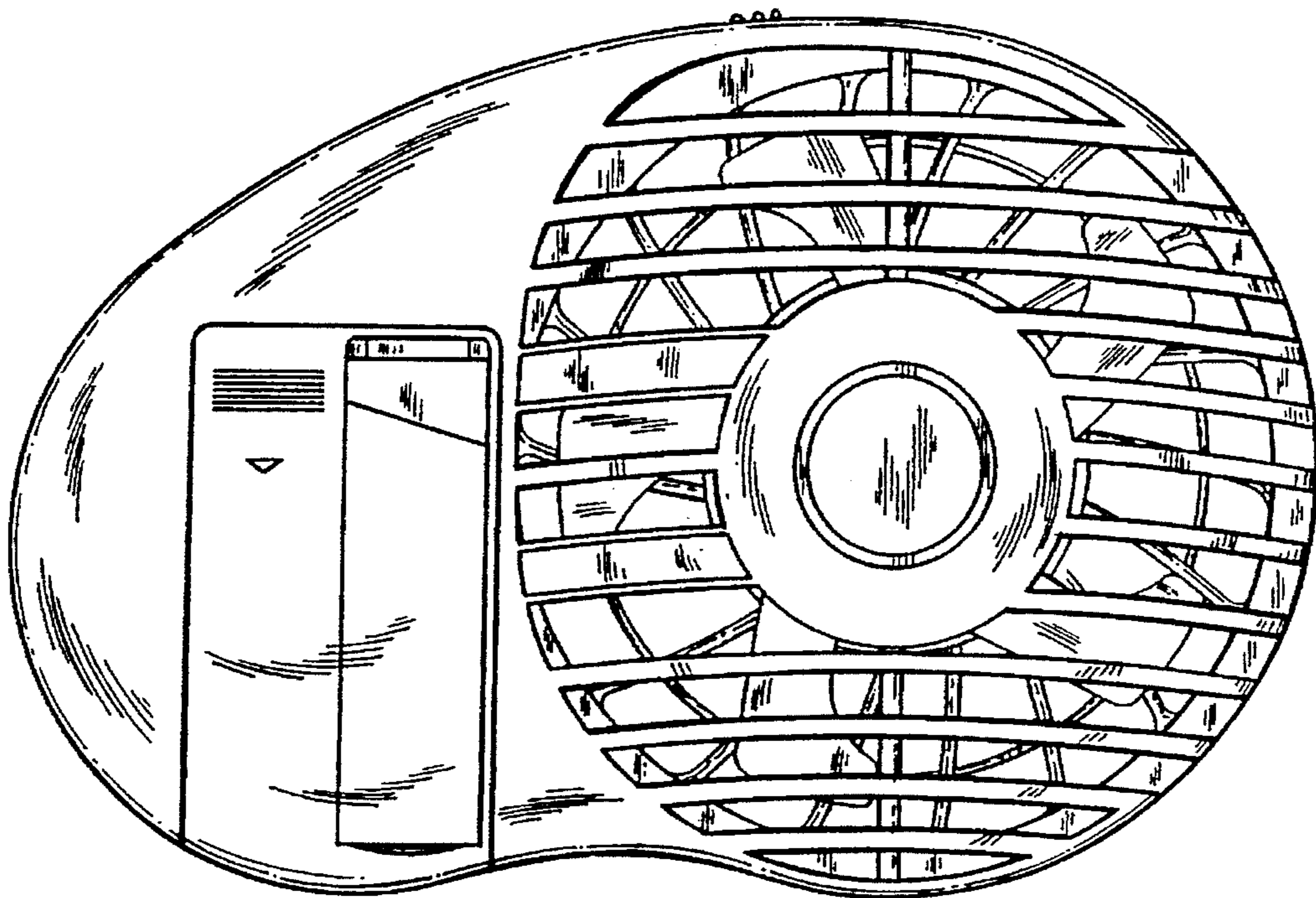


FIG. 8

