



US00D365386S

# United States Patent [19]

McDonald et al.

[11] Patent Number: **Des. 365,386**

[45] Date of Patent: **\*\*Dec. 19, 1995**

[54] **COMMODE RIM SHIELD**

[76] Inventors: **Trina L. McDonald; Steven L. McDonald**, both of 210 Flintlock Trail, Stockbridge, Ga. 30281

[\*\*] Term: **14 Years**

[21] Appl. No.: **30,152**

[22] Filed: **Nov. 7, 1994**

[52] U.S. Cl. .... **D23/310**

[58] Field of Search ..... **D23/309, 310; 4/237, 300.3, 415, DIG. 5**

[56] **References Cited**

**U.S. PATENT DOCUMENTS**

2,980,919	4/1961	Otto et al. ....	4/300.3
3,914,803	10/1975	Gregouski .....	4/300.3
4,348,776	9/1982	Sarjeant .....	4/300.3
4,912,784	4/1990	Jacobson et al. ....	4/300.3

*Primary Examiner*—Stella Reid  
*Assistant Examiner*—Eric Watterson  
*Attorney, Agent, or Firm*—Harpman & Harpman

[57] **CLAIM**

The ornamental design for a commode rim shield, as shown and described.

**DESCRIPTION**

FIG. 1 is a front, top and side perspective view of the commode rim shield embodying the design of the present invention;

FIG. 2 is a front elevational view thereof;

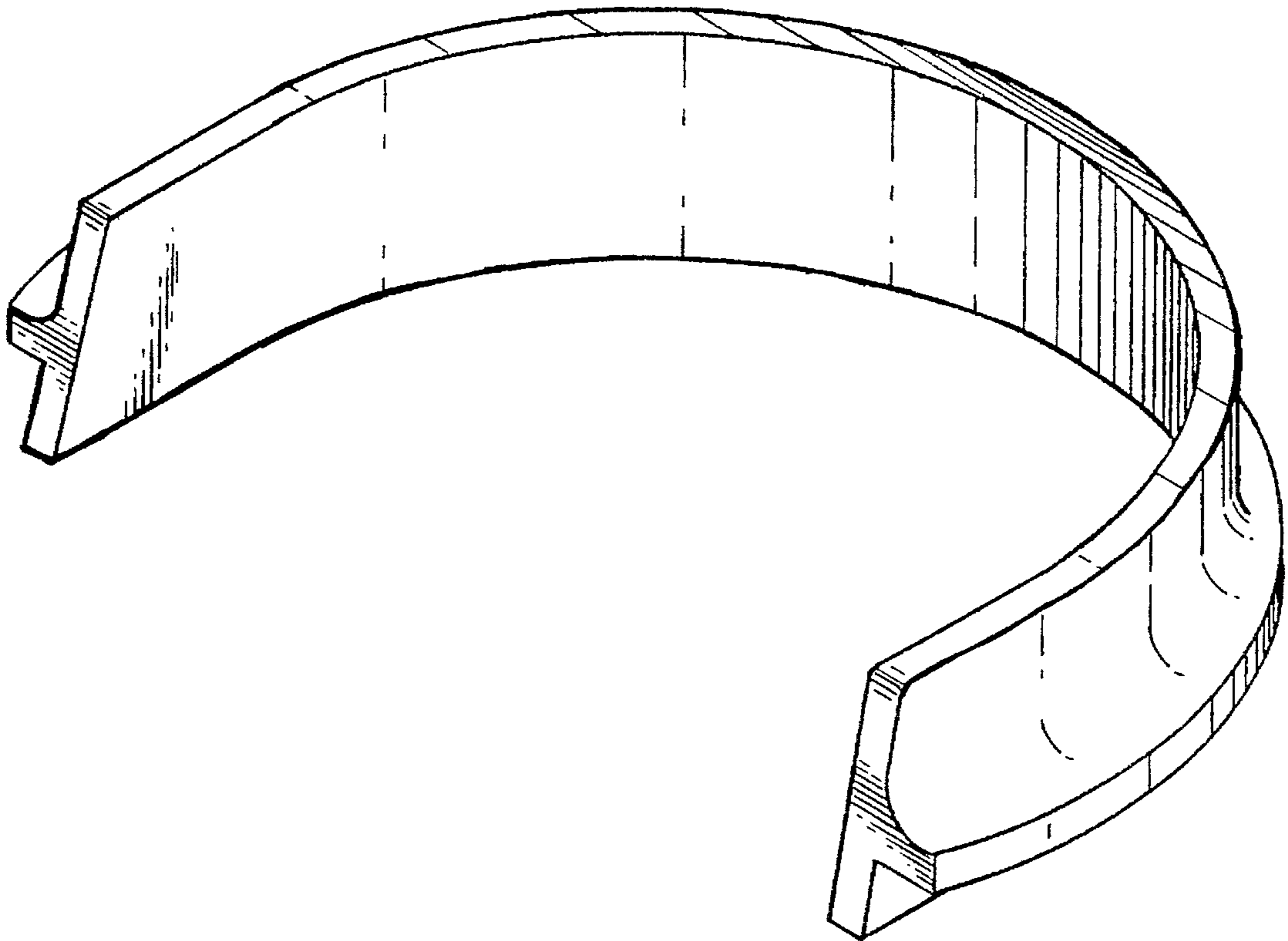
FIG. 3 is a rear elevational view thereof;

FIG. 4 is a side elevational view the opposite side being a mirror image thereof;

FIG. 5 is a top plan view thereof; and,

FIG. 6 is a bottom plan view thereof.

**1 Claim, 3 Drawing Sheets**



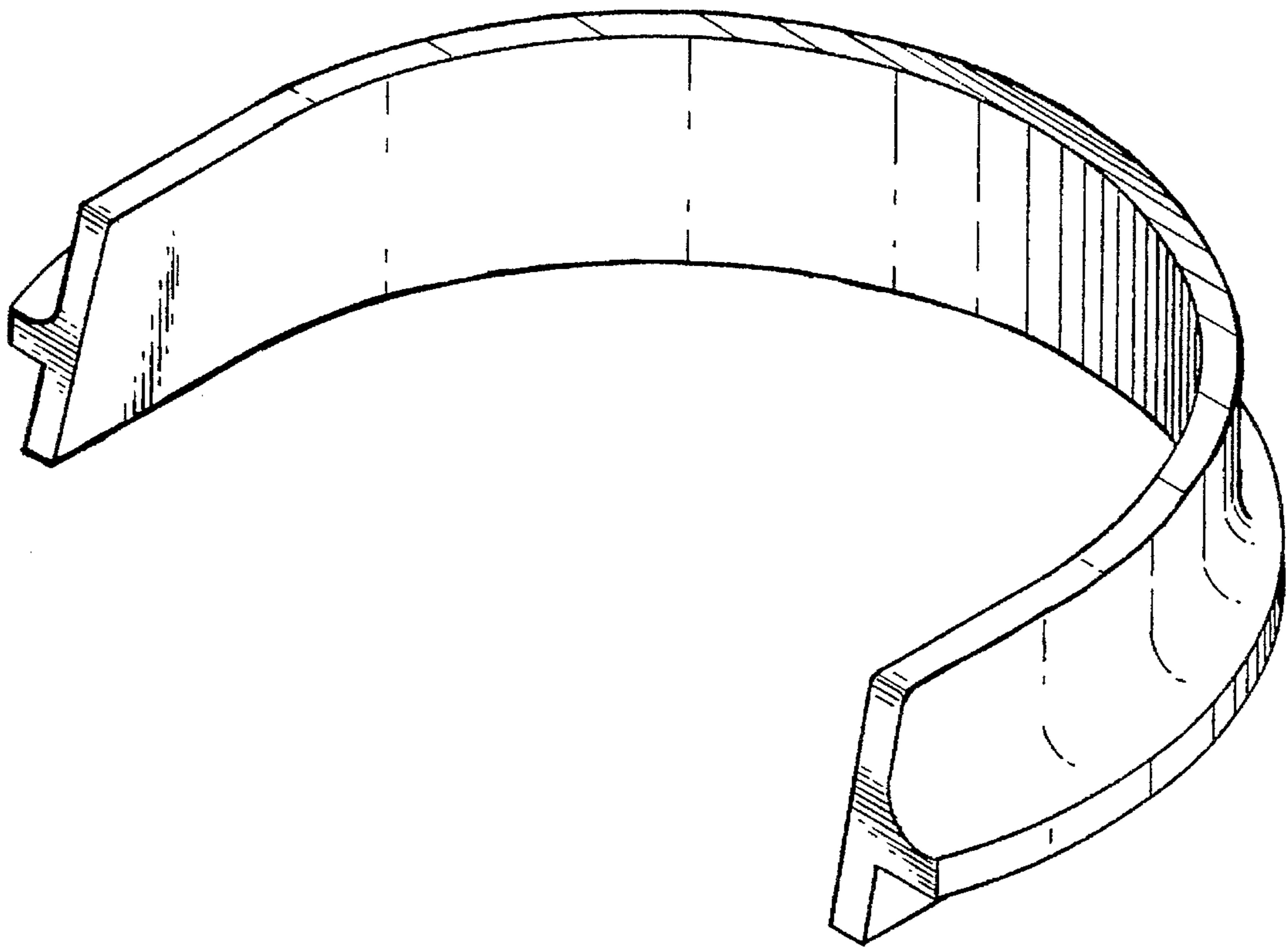


FIG. 1

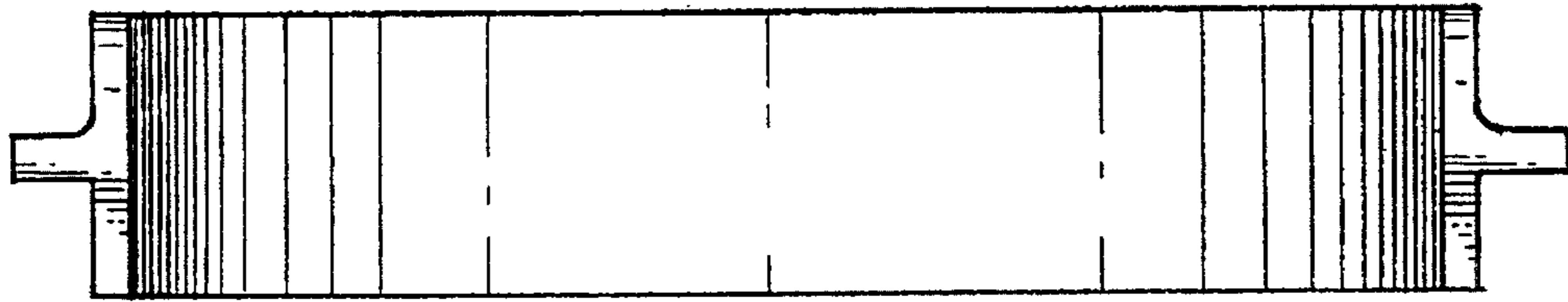


FIG. 2

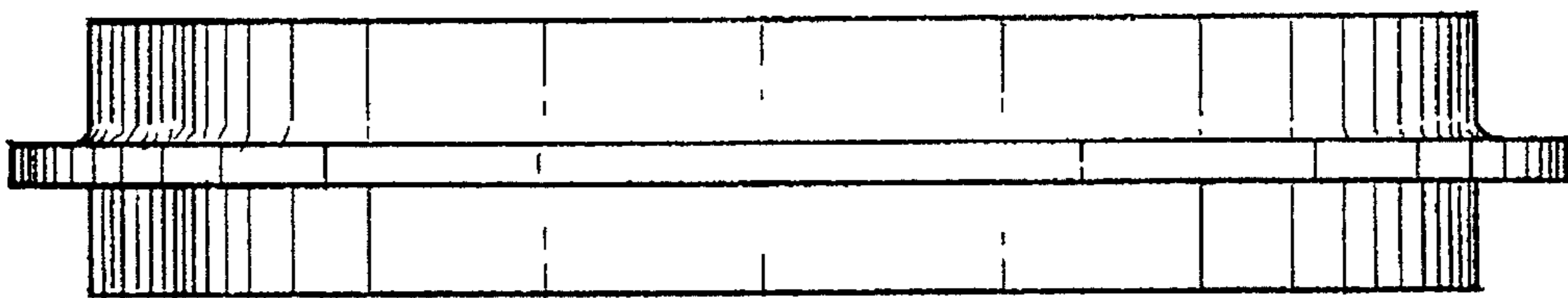


FIG. 3

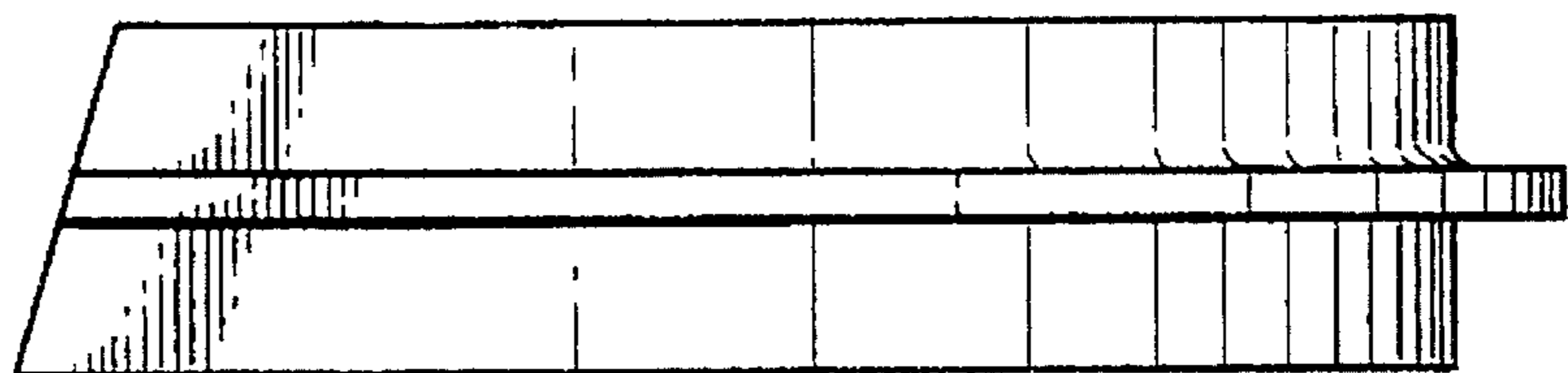


FIG. 4

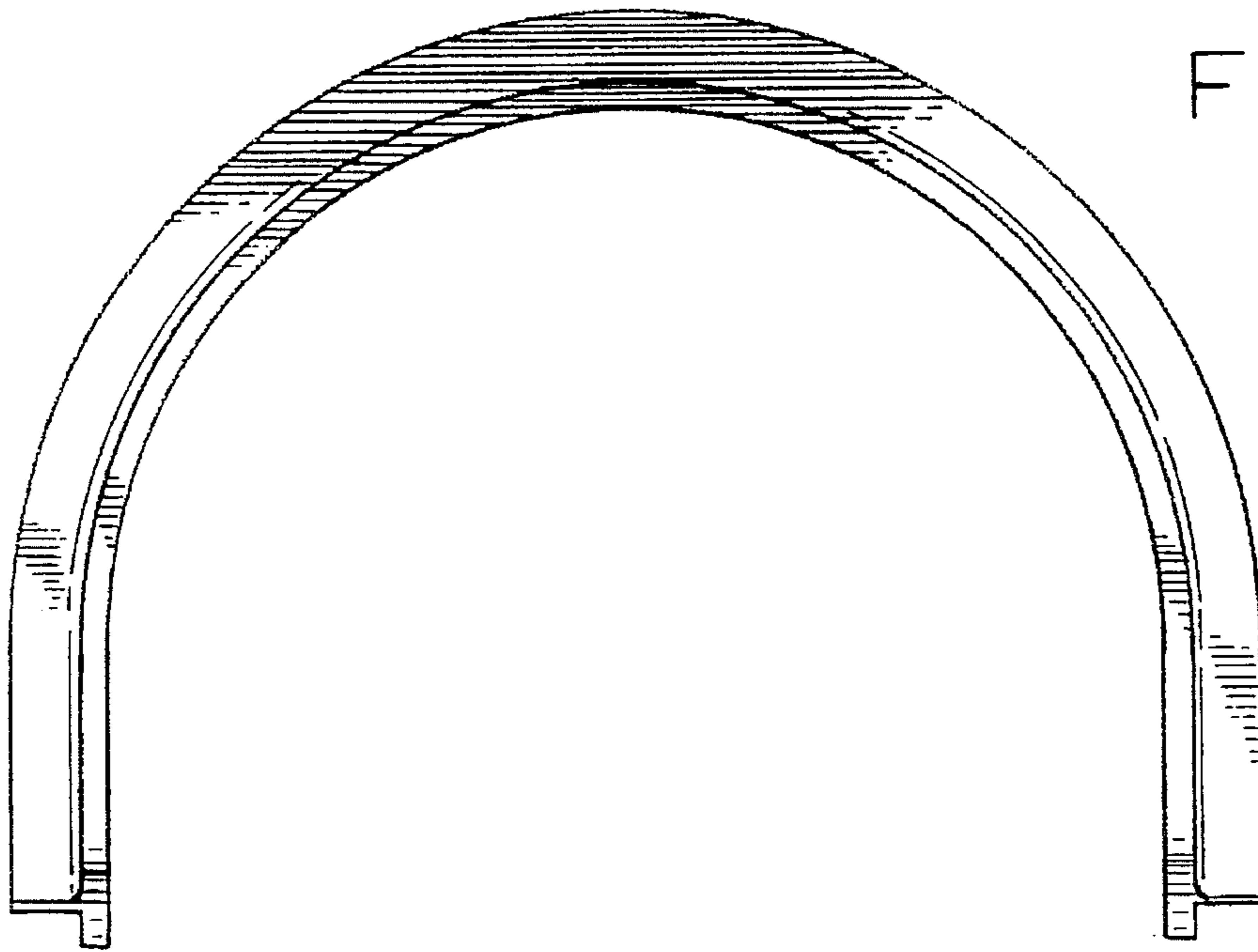


FIG. 5

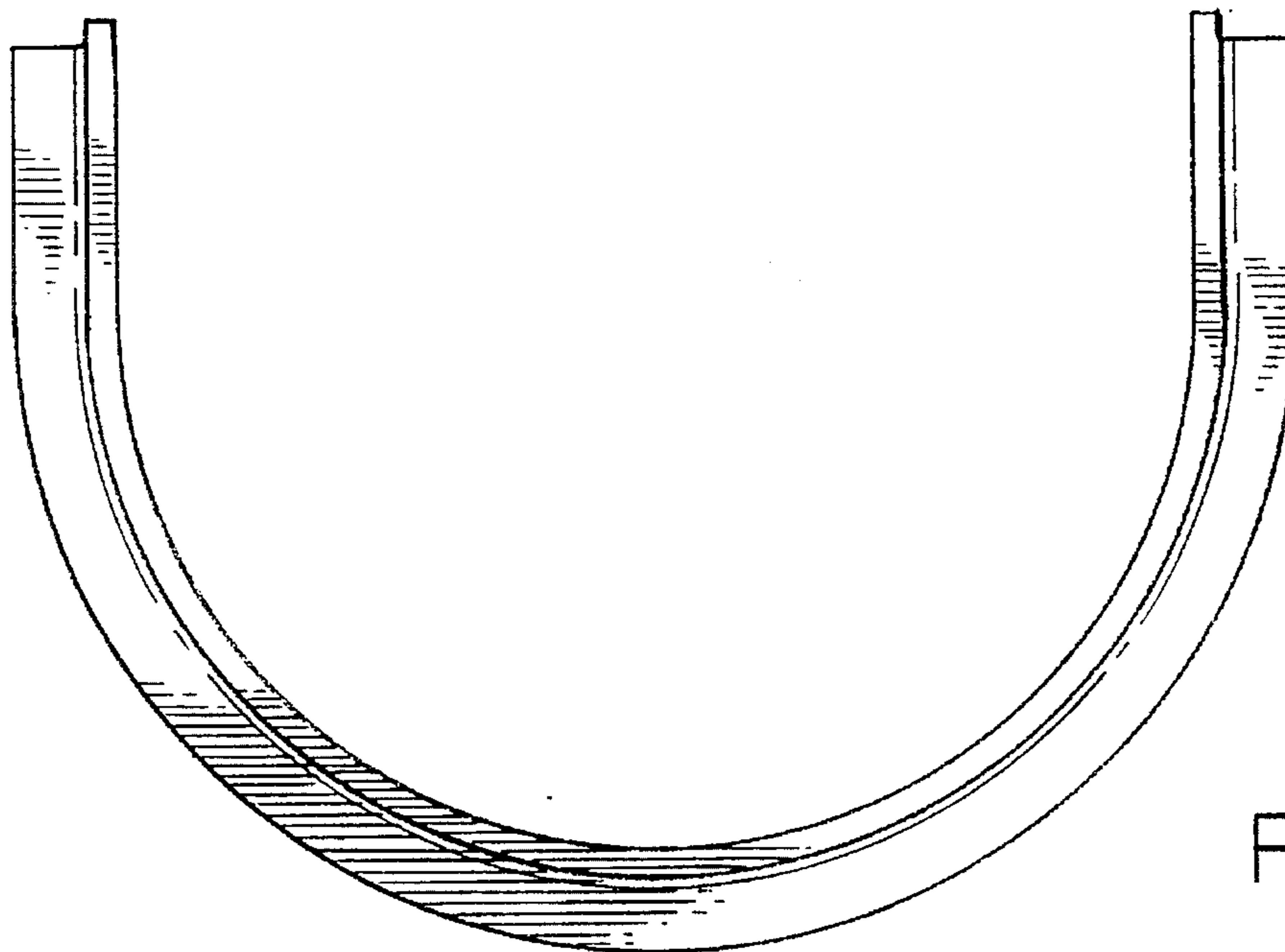


FIG. 6