



US00D365383S

United States Patent [19]
Chretien

[11] **Patent Number: Des. 365,383**
[45] **Date of Patent: **Dec. 19, 1995**

[54] **FAUCET**

[75] Inventor: **Philippe Chretien**, Dietlikon,
Switzerland

[73] Assignee: **KWC AG**, Unterkulm, Switzerland

[**] Term: **14 Years**

[21] Appl. No.: **34,848**

[22] Filed: **Feb. 14, 1995**

[30] **Foreign Application Priority Data**

Aug. 24, 1994 [XH] Hague Agreement DM/030501

[52] **U.S. Cl.** **D23/238**

[58] **Field of Search** D23/238-243,
D23/250-258; 4/675-678; 137/801

[56] **References Cited**

U.S. PATENT DOCUMENTS

- D. 186,565 11/1959 Dreyfuss D23/238
- D. 191,295 9/1961 Chopman D23/238
- D. 206,213 11/1966 Armstrong D23/255
- D. 322,307 12/1991 Chretien .
- D. 324,723 3/1992 Chretien .

- D. 324,905 3/1992 Chretien .
- D. 330,070 10/1992 Chretien .
- D. 333,340 2/1993 Chretien .
- D. 333,864 3/1993 Chretien .
- D. 334,797 4/1993 Chretien .
- D. 335,917 5/1993 Chretien .
- D. 355,706 2/1995 Chretien .
- D. 355,955 2/1995 Chretien .

Primary Examiner—Stella Reid
Assistant Examiner—Eric Watterson
Attorney, Agent, or Firm—Oblon, Spivak, McClelland,
Maier & Neustadt

[57] **CLAIM**

The ornamental design for a faucet, as shown.

DESCRIPTION

FIG. 1 is a right side elevational view of a faucet, showing my new design;
FIG. 2 is a top plan view thereof;
FIG. 3 is a left side elevational view thereof;
FIG. 4 is a front elevational view thereof; and,
FIG. 5 is a top, front and right side perspective view thereof.

1 Claim, 5 Drawing Sheets

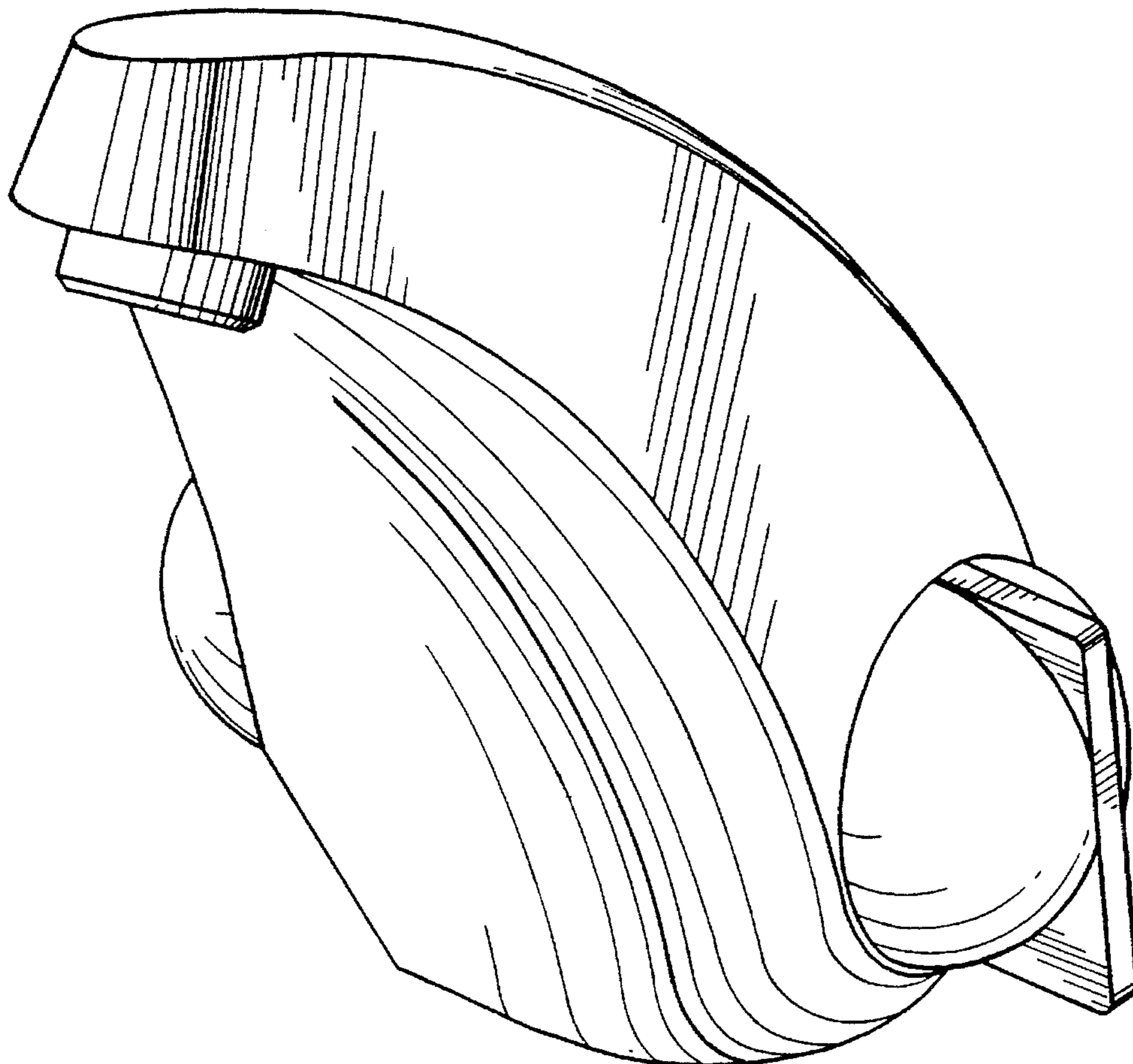


FIG. 1

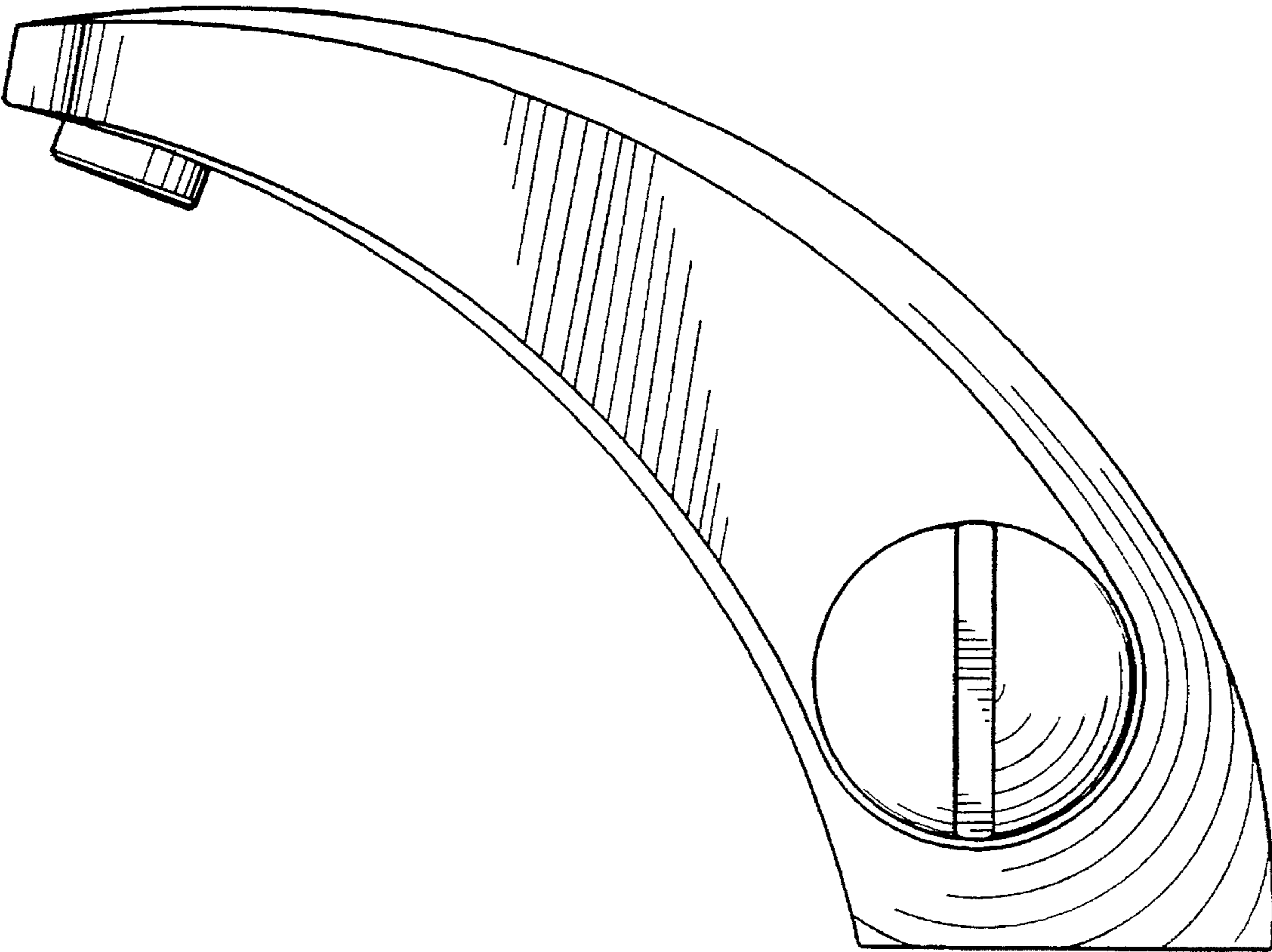


FIG. 2

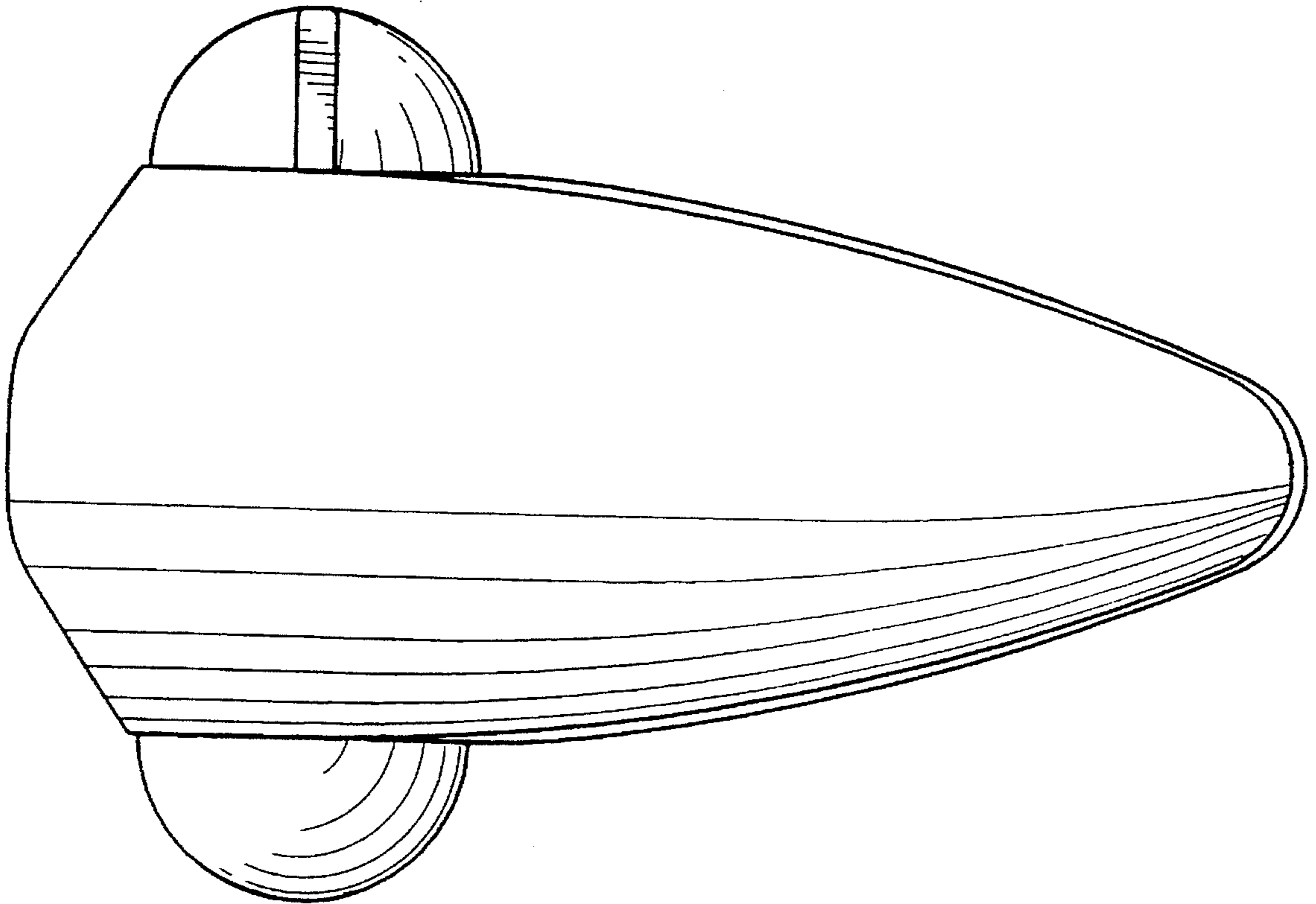


FIG. 3

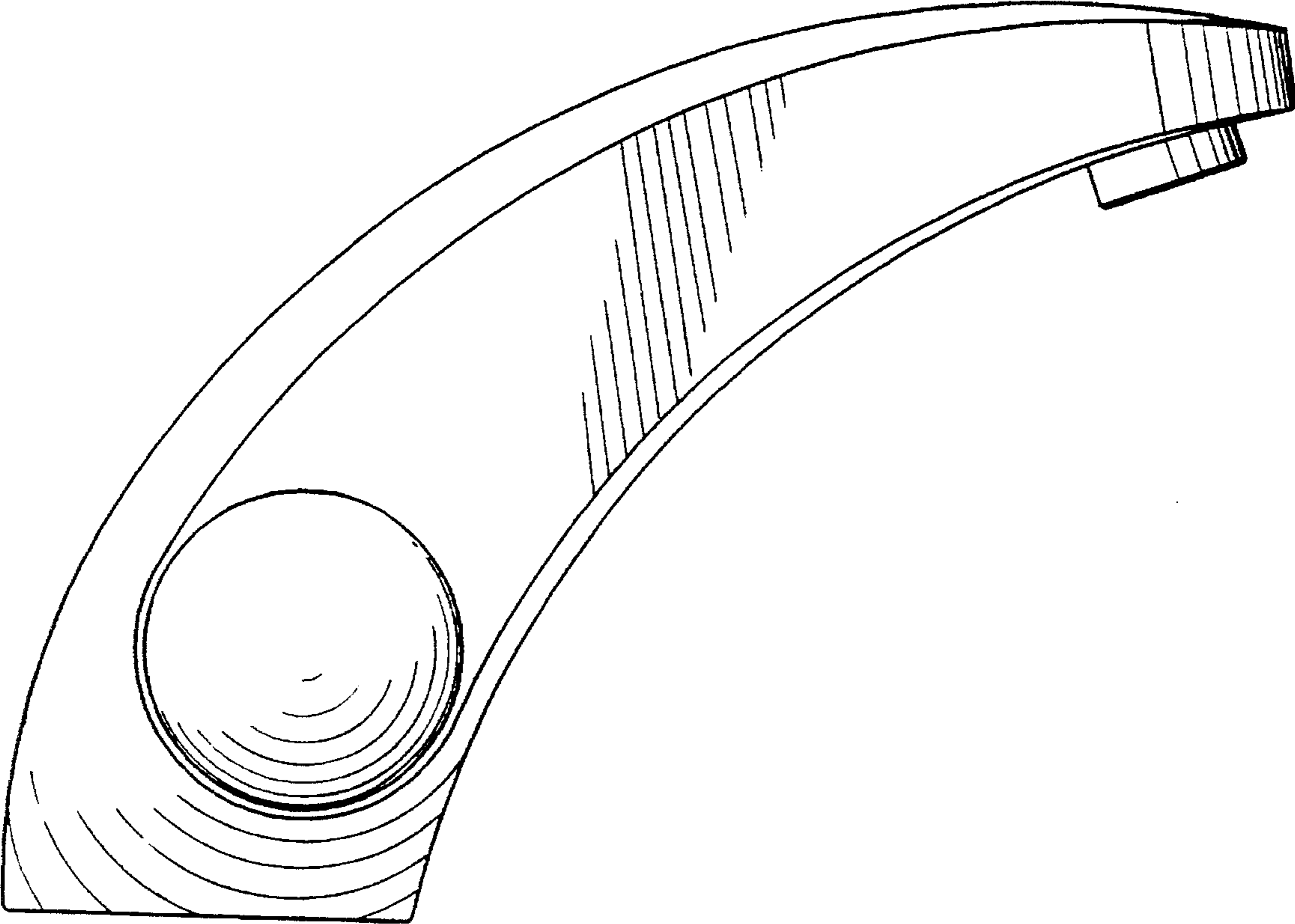


FIG. 4

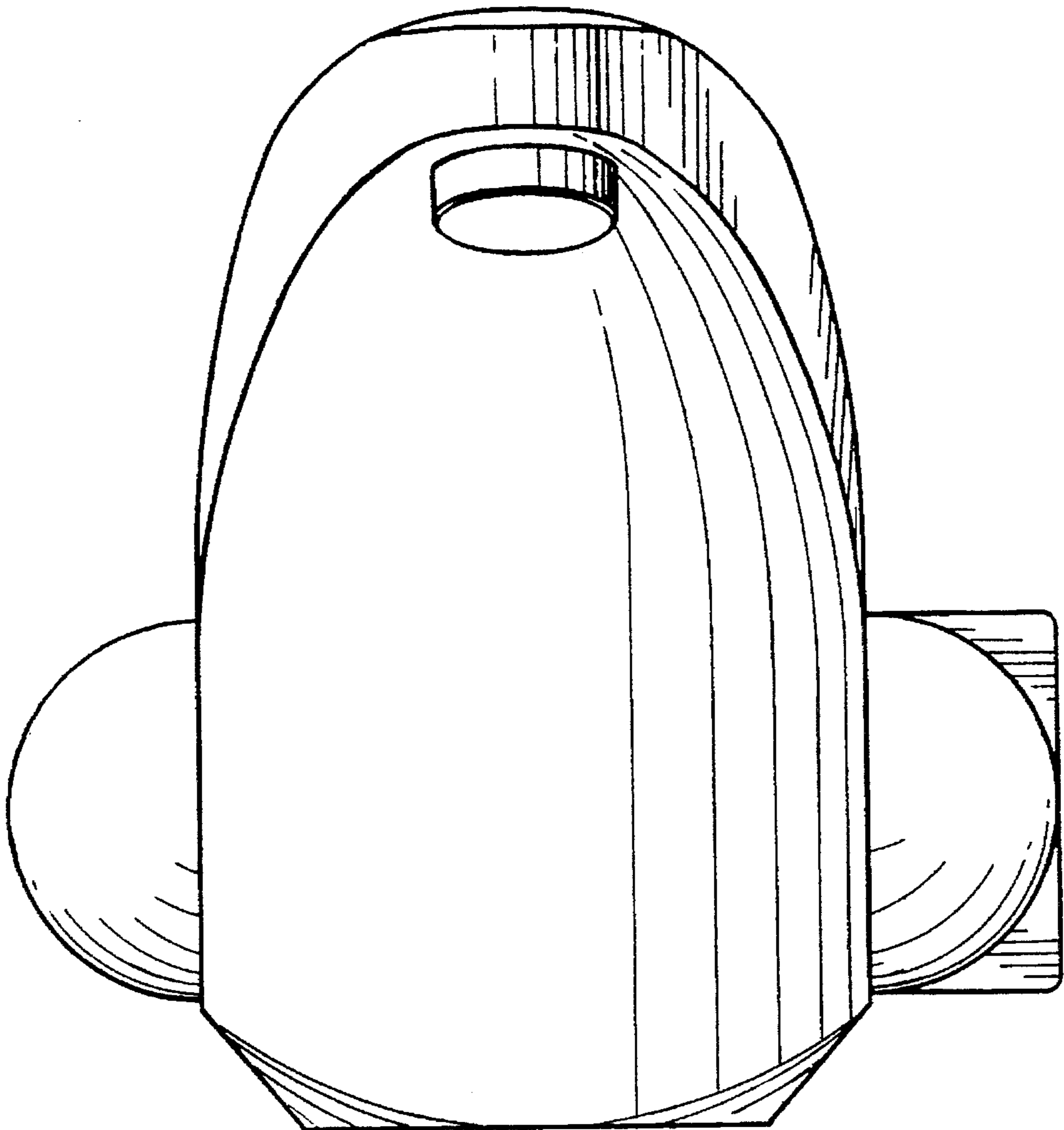


FIG. 5

