



US00D365381S

United States Patent [19] Hoepfner

[11] Patent Number: **Des. 365,381**
[45] Date of Patent: ****Dec. 19, 1995**

[54] **WIDE MOUTH POOL SKIMMER ADAPTER**

[76] Inventor: **Michael A. Hoepfner**, 11224 Ransom Ct., Fort Wayne, Ind. 46845

[**] Term: **14 Years**

[21] Appl. No.: **33,780**

[22] Filed: **Jan. 20, 1995**

[52] U.S. Cl. **D23/209**

[58] Field of Search D23/207-210,
D23/213; 210/169, 416.2, 242.1, 222.1,
245

[56] **References Cited**

U.S. PATENT DOCUMENTS

D. 216,260	12/1969	Diamond et al.	D23/209
3,831,897	2/1973	Stegmeier	249/1
4,068,327	1/1978	Heinlein	4/172.15
4,225,436	9/1980	Cseh	210/169
4,379,749	4/1983	Roth	210/169
4,454,035	6/1984	Stefan	210/416.2
4,734,189	3/1988	Page, Jr.	210/169
4,735,714	4/1988	Schall	210/169
4,740,307	4/1988	Buelteman	210/169
4,789,470	12/1988	Wards	210/169
5,059,314	10/1991	Beckman	210/169
5,285,538	2/1994	Hodak	210/169
5,336,400	8/1994	Patrice	210/169

OTHER PUBLICATIONS

Automatic Skimmers—Jacuzzi Brochure Nov. 1985.
Series W Wide Mouth Skimmer—Jacuzzi Brochure Nov. 1985.

Primary Examiner—A. Hugo Word
Assistant Examiner—Robin V. Taylor
Attorney, Agent, or Firm—Taylor & Knuth

[57] **CLAIM**

The ornamental design for a wide mouth pool skimmer adapter, as shown and described.

DESCRIPTION

FIG. 1 is a perspective view of the wide mouth pool skimmer adapter showing my new design;

FIG. 2 is a top view of thereof, the bottom view being identical;

FIG. 3 is a front view thereof;

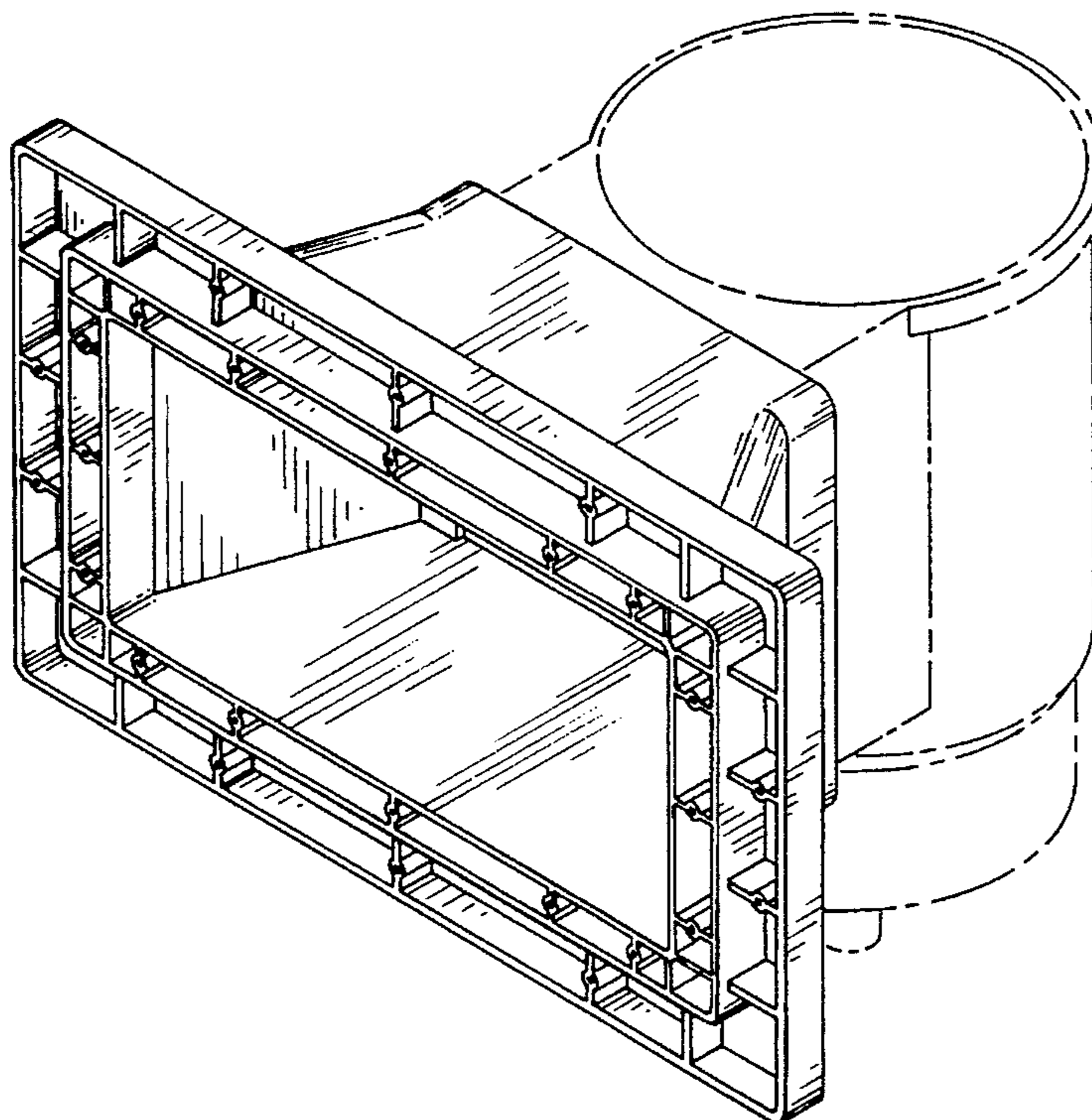
FIG. 4 is a rear view thereof;

FIG. 5 is a side view thereof, the other side being a mirror image thereof; and,

FIG. 6 is a top view of an alternate embodiment of the wide mouth pool skimmer adapter, the bottom view being identical, the front, rear and side views being identical to those of FIGS. 3, 4, and 5.

The broken line showing of a skimmer housing is for illustrative purposes only and forms no part of the claimed design.

1 Claim, 4 Drawing Sheets



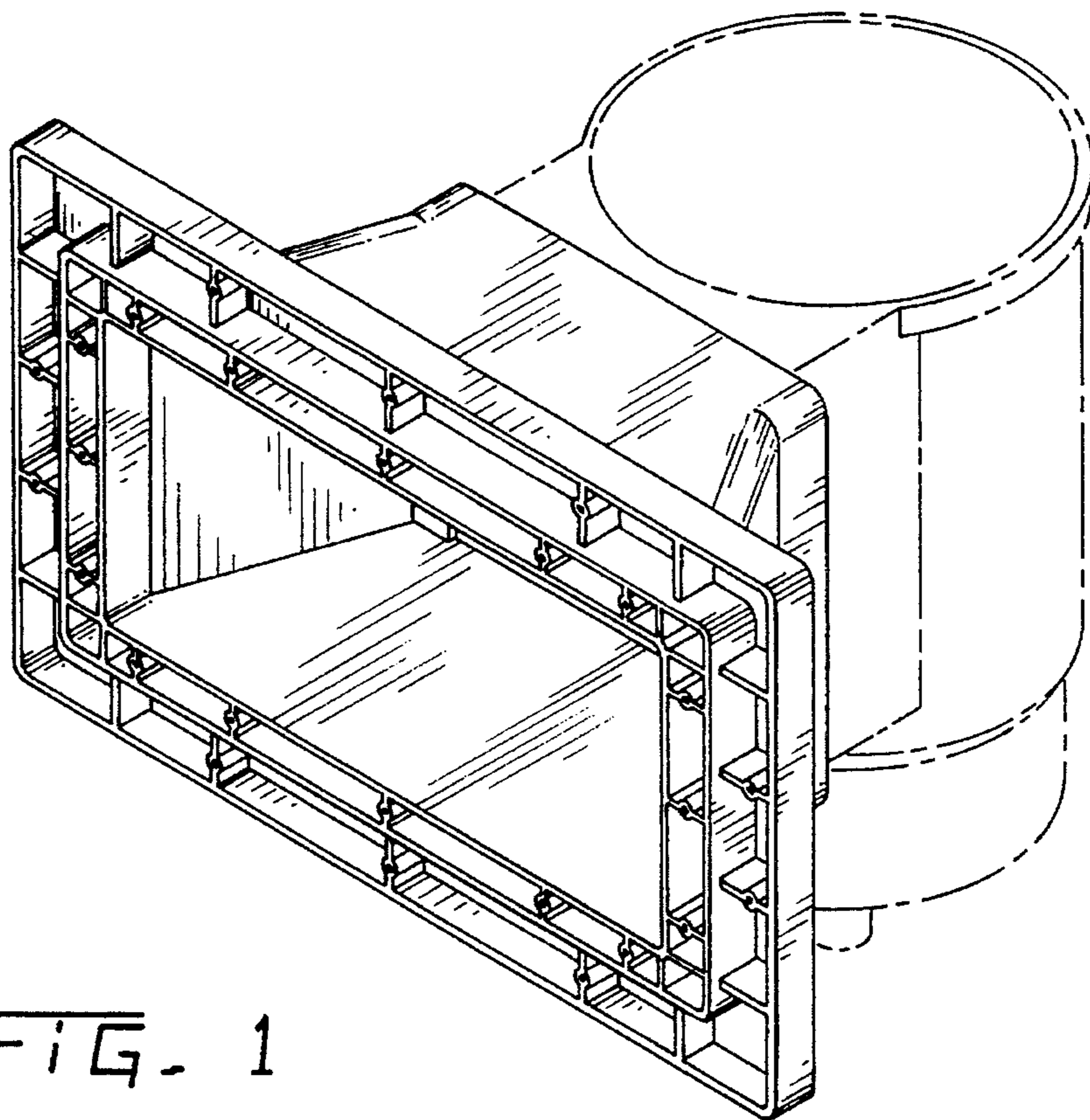


FIG. 1

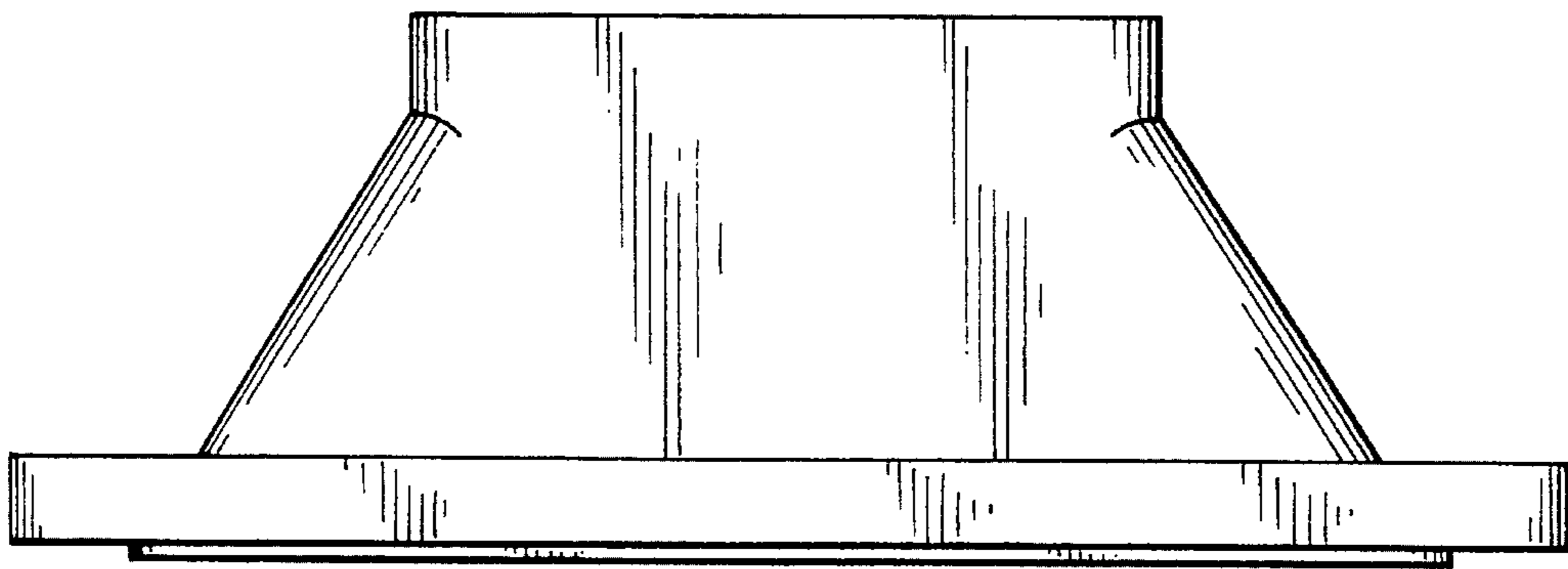


FIG. 2

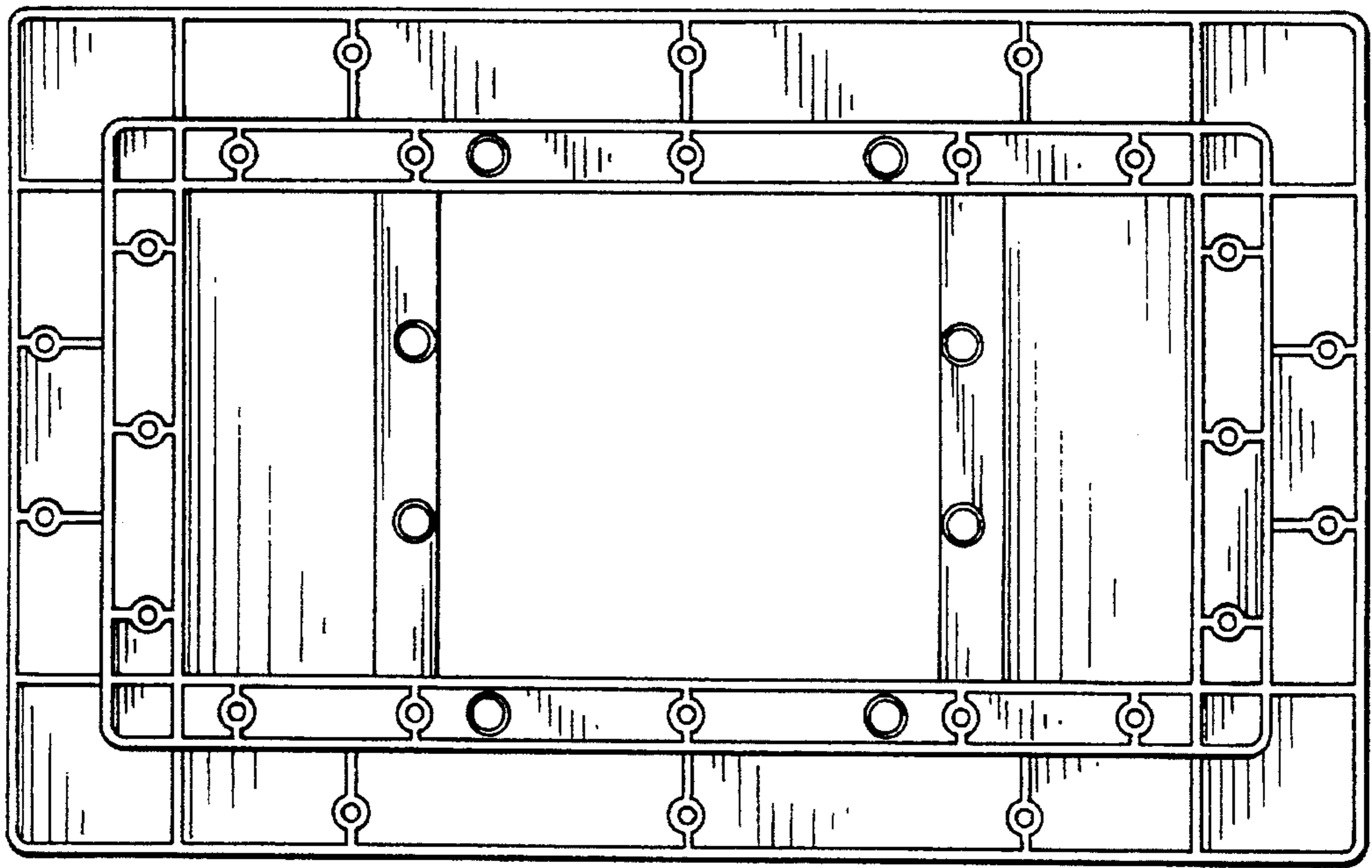


FIG. 3

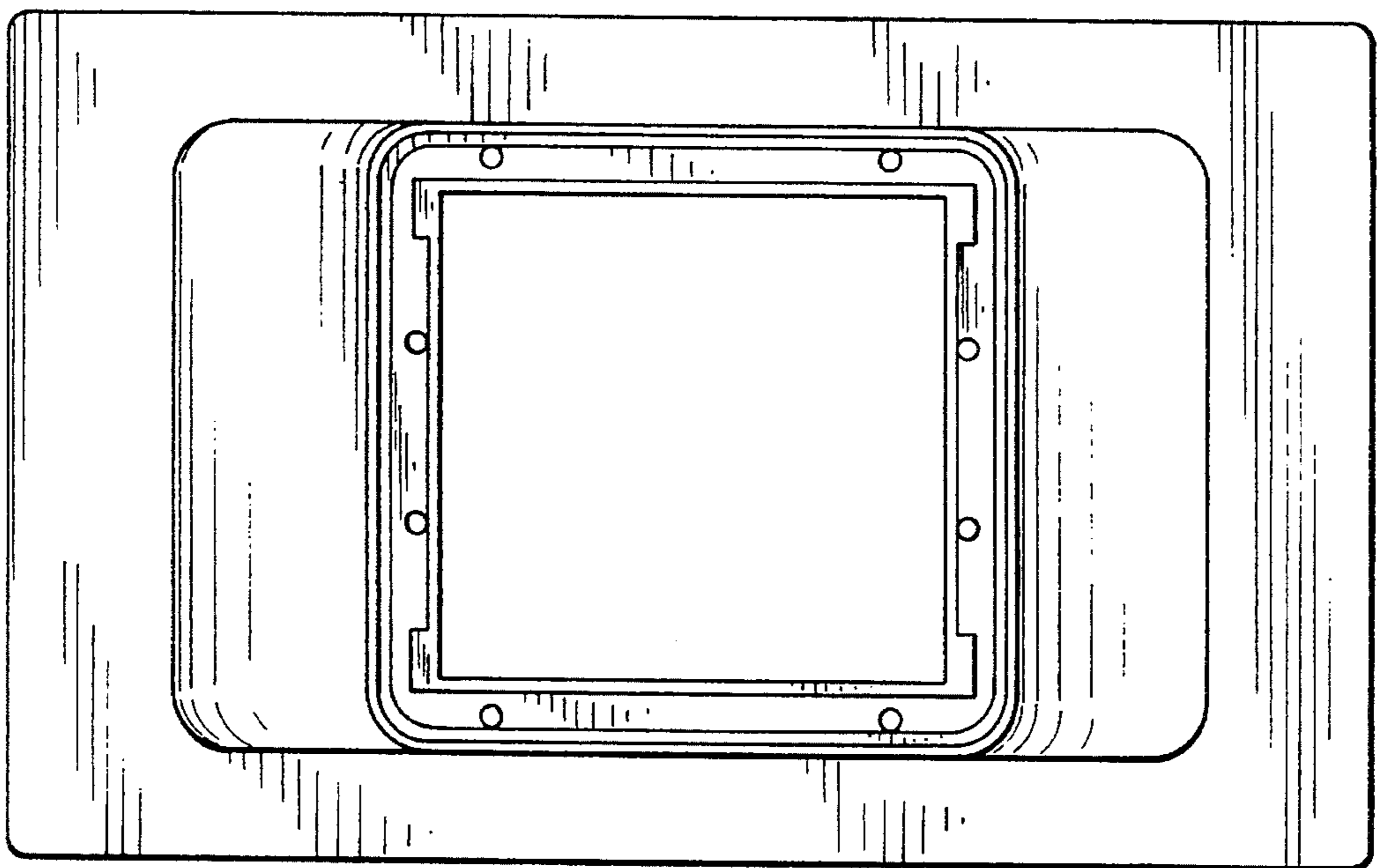


FIG. 4

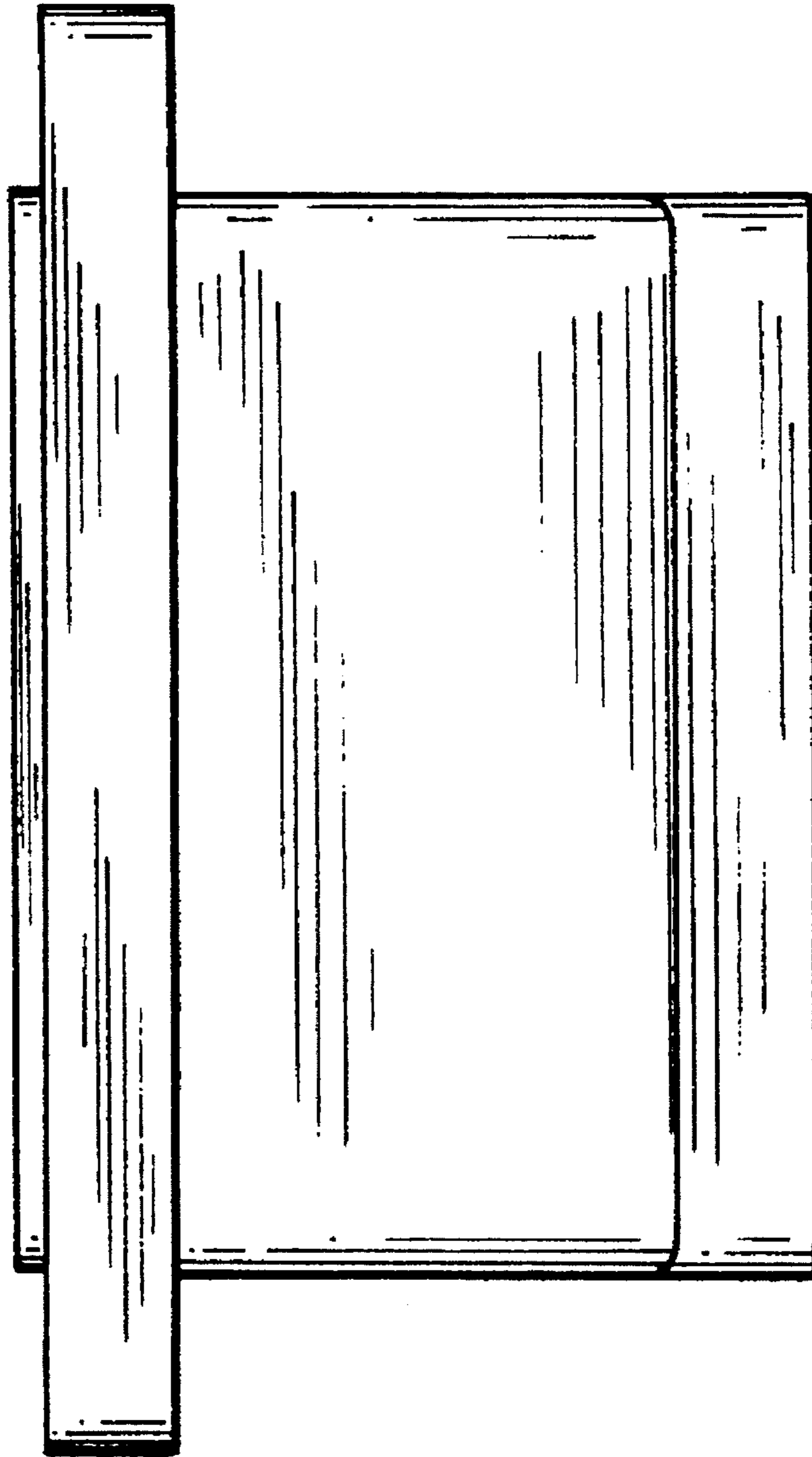


FIG. 5

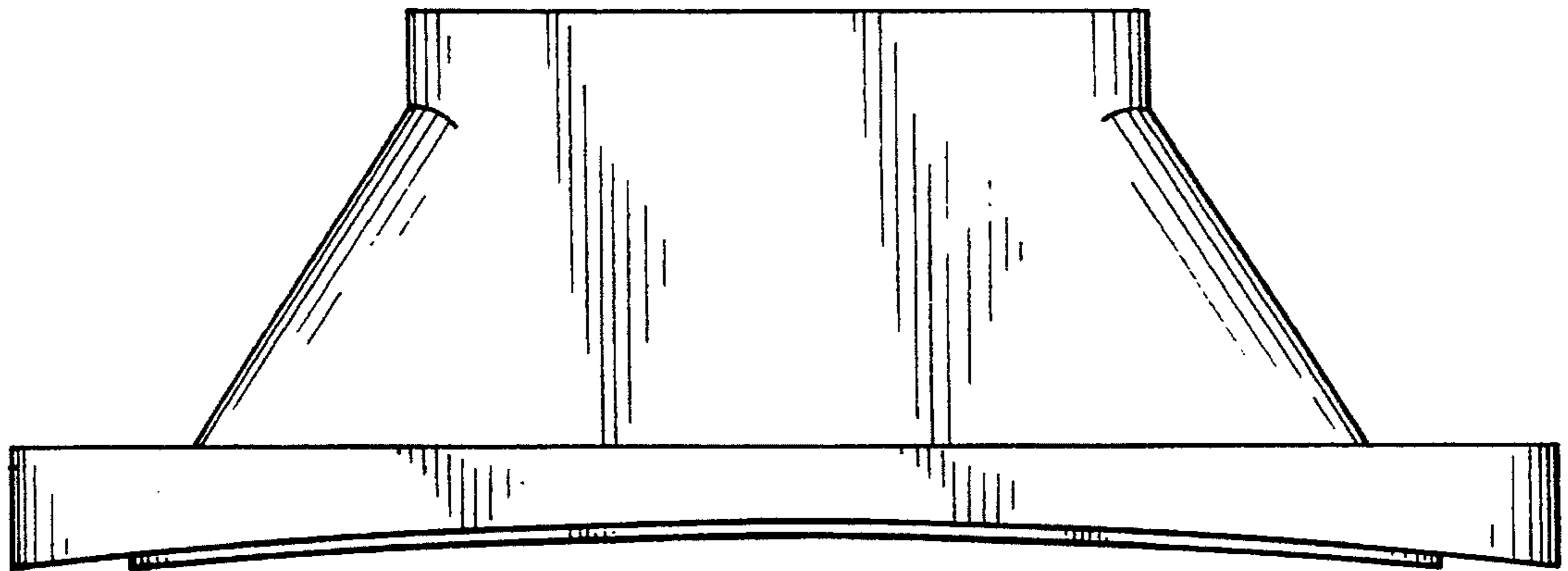


FIG. 6