



US00D365375S

United States Patent [19]

[11] Patent Number: **Des. 365,375**

Lee

[45] Date of Patent: ****Dec. 19, 1995**

[54] **TRAINING INSERT UNIT FOR A BASKETBALL HOOP**

[76] Inventor: **William B. Lee**, 1820 Erie St., Charlotte, N.C. 28216

[**] Term: **14 Years**

[21] Appl. No.: **5,856**

[22] Filed: **Mar. 12, 1993**

[52] U.S. Cl. **D21/201**

[58] Field of Search **D21/201; 273/1.5 R, 273/1.5 A; D9/439**

[56] **References Cited**

U.S. PATENT DOCUMENTS

3,160,414	12/1964	Gray	273/1.5 A
5,207,789	5/1993	Gates	273/1.5 A

Primary Examiner—Ted Shooman
Assistant Examiner—Cheri Cohen
Attorney, Agent, or Firm—Ralph H. Dougherty; Scott E. Hanf

[57] **CLAIM**

The ornamental design for a training insert unit for a basketball hoop, as shown and described.

DESCRIPTION

FIG. 1 is a perspective view of a training insert unit for a basketball hoop showing my new design, the broken lines are for illustrative purposes only and form no part of the claimed design;

FIG. 2 is a top plan view thereof;

FIG. 3 is a top plan view of a second alternate embodiment;

FIG. 4 is a top plan view of a third alternate embodiment;

FIG. 5 is a front elevation view of FIG. 2, the rear view and

both side views being identical;

FIG. 6 is a frontelevation view of FIG. 3, the rear and side views being identical;

FIG. 7 is a front elevation view of FIG. 4, the rear and side views being identical;

FIG. 8 is a bottom plan view of FIG. 2;

FIG. 9 is a bottom plan view of FIG. 3;

FIG. 10 is a bottom plan view of FIG. 4;

FIG. 11 is a top plan view of a fourth alternate embodiment;

FIG. 12 is a side elevation view, the front and rear views being identical thereof;

FIG. 13 is a bottom plan view thereof;

FIG. 14 is a top plan view of a fifth alternate embodiment;

FIG. 15 is a right side view thereof;

FIG. 16 is a bottom plan view thereof;

FIG. 17 is a top plan view of a sixth alternate embodiment;

FIG. 18 is a right side elevation view thereof;

FIG. 19 is a bottom plan view thereof;

FIG. 20 is a top plan view of a seventh alternate embodiment;

FIG. 21 is a right side elevation view thereof;

FIG. 22 is a bottom plan view thereof;

FIG. 23 is a top plan view of an eighth alternate embodiment;

FIG. 24 is a right side elevation view, the left side being a mirror image thereof;

FIG. 25 is a bottom plan view thereof;

FIG. 26 is a cross sectional view of FIG. 2;

FIG. 27 is a partial cross sectional view of FIG. 17;

FIG. 28 is a cross sectional view of FIG. 20;

FIG. 29 is a cross sectional view of FIG. 23;

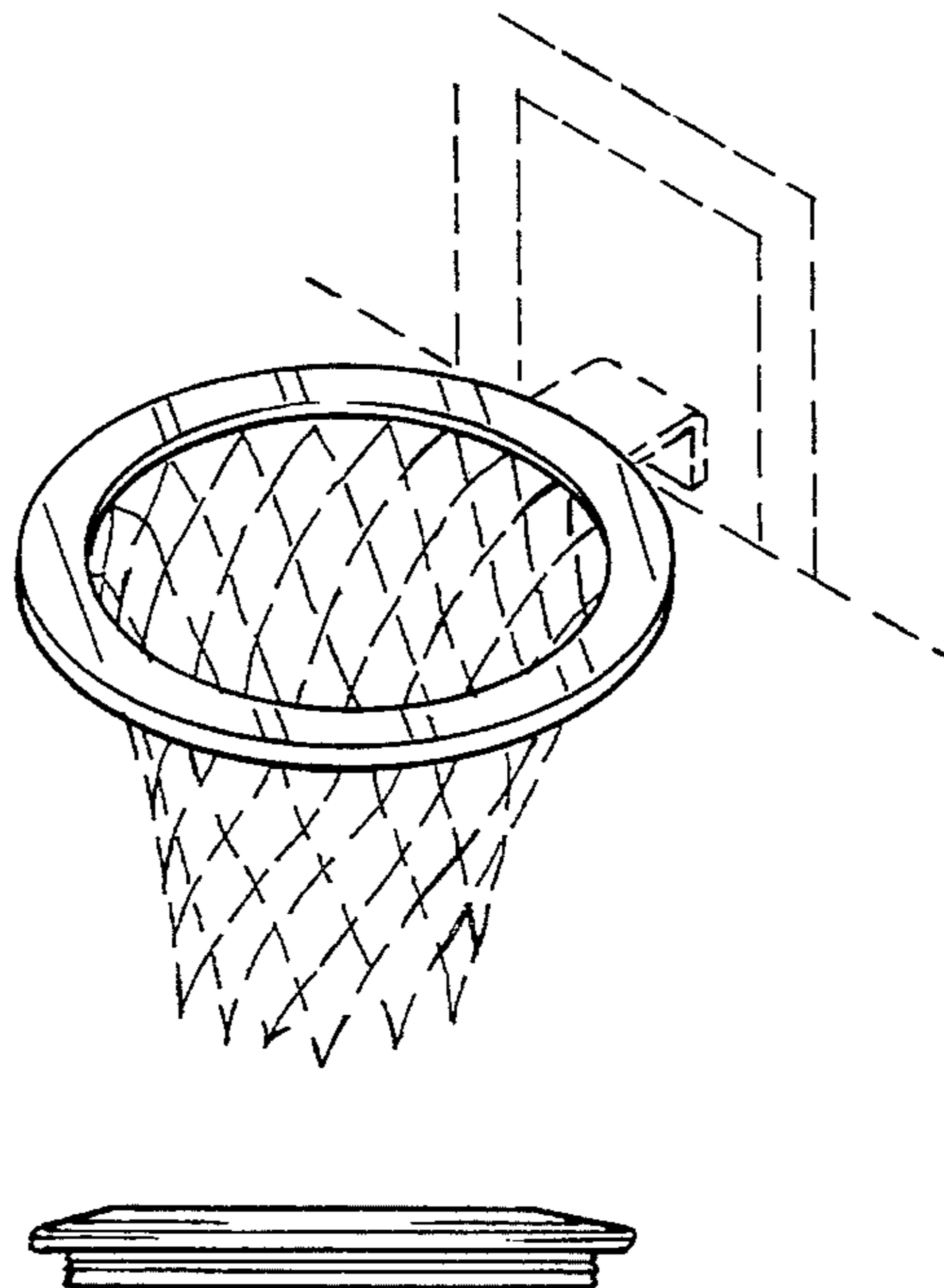
FIG. 30 is a cross sectional view of FIG. 14;

FIG. 31 is a top plan view of a tenth alternative embodiment;

FIG. 32 is a right side elevation view, the left side being identical thereto; and,

FIG. 33 is a bottom plan view thereof.

1 Claim, 4 Drawing Sheets



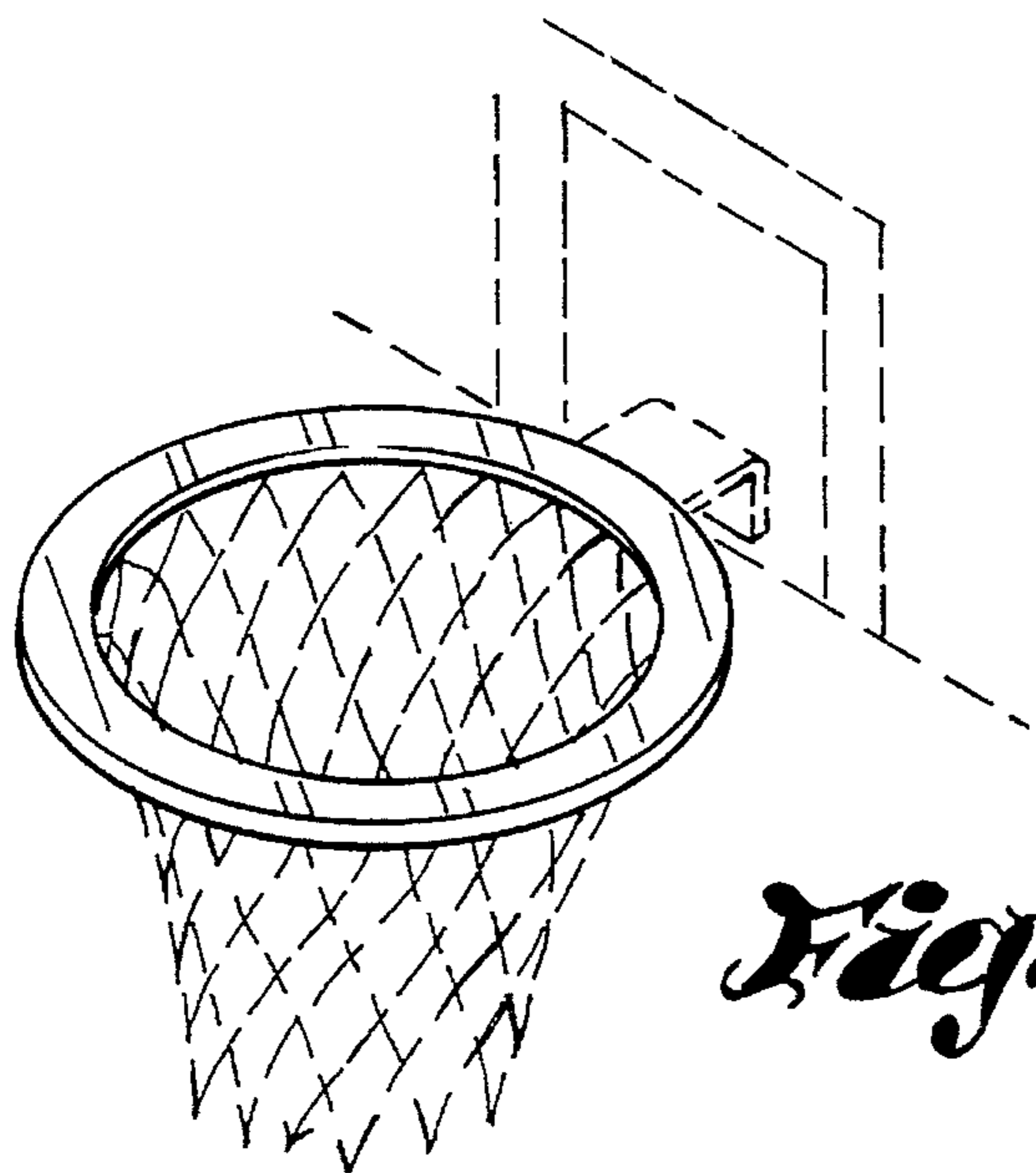


Fig. 1

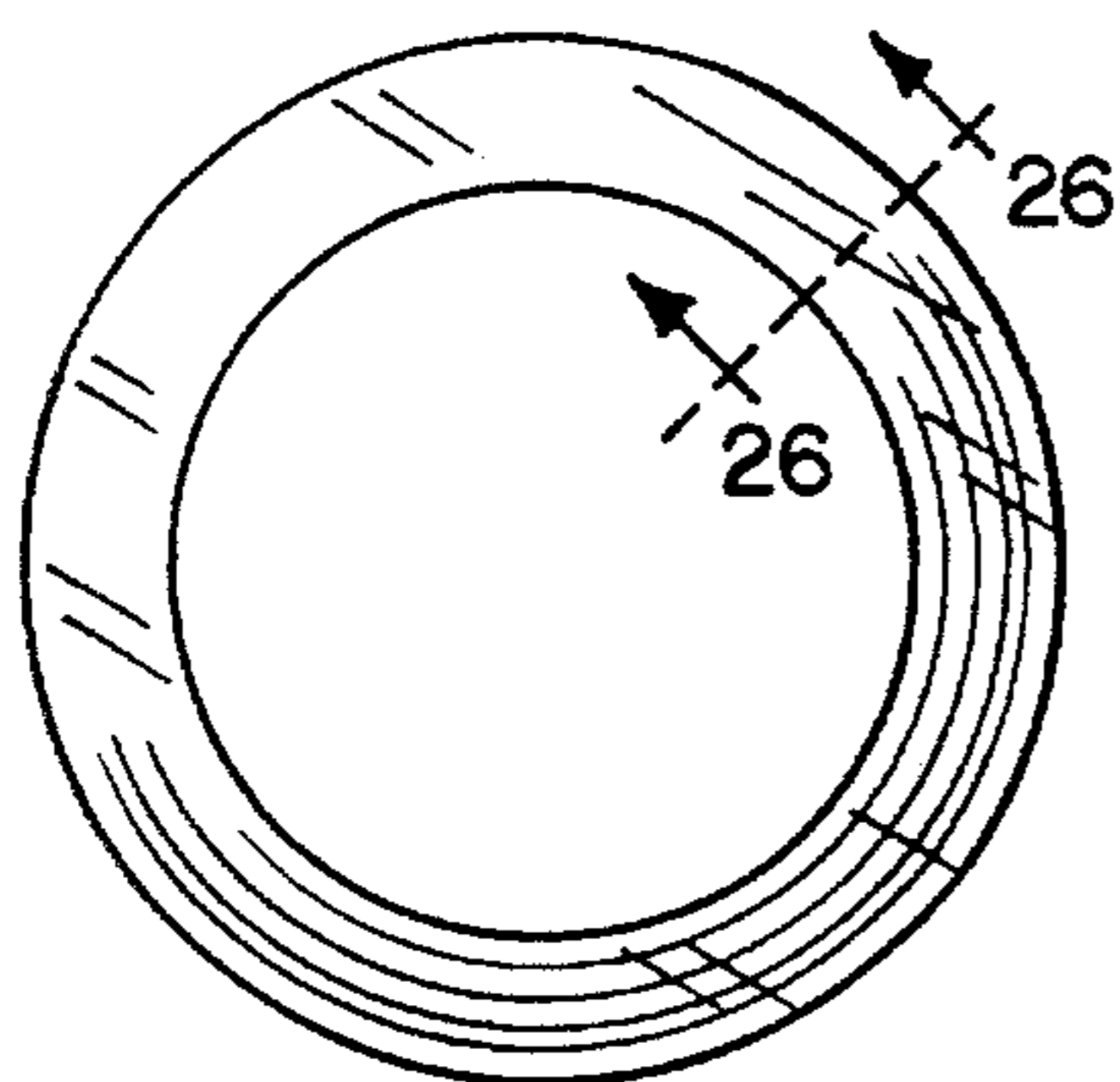


Fig. 2

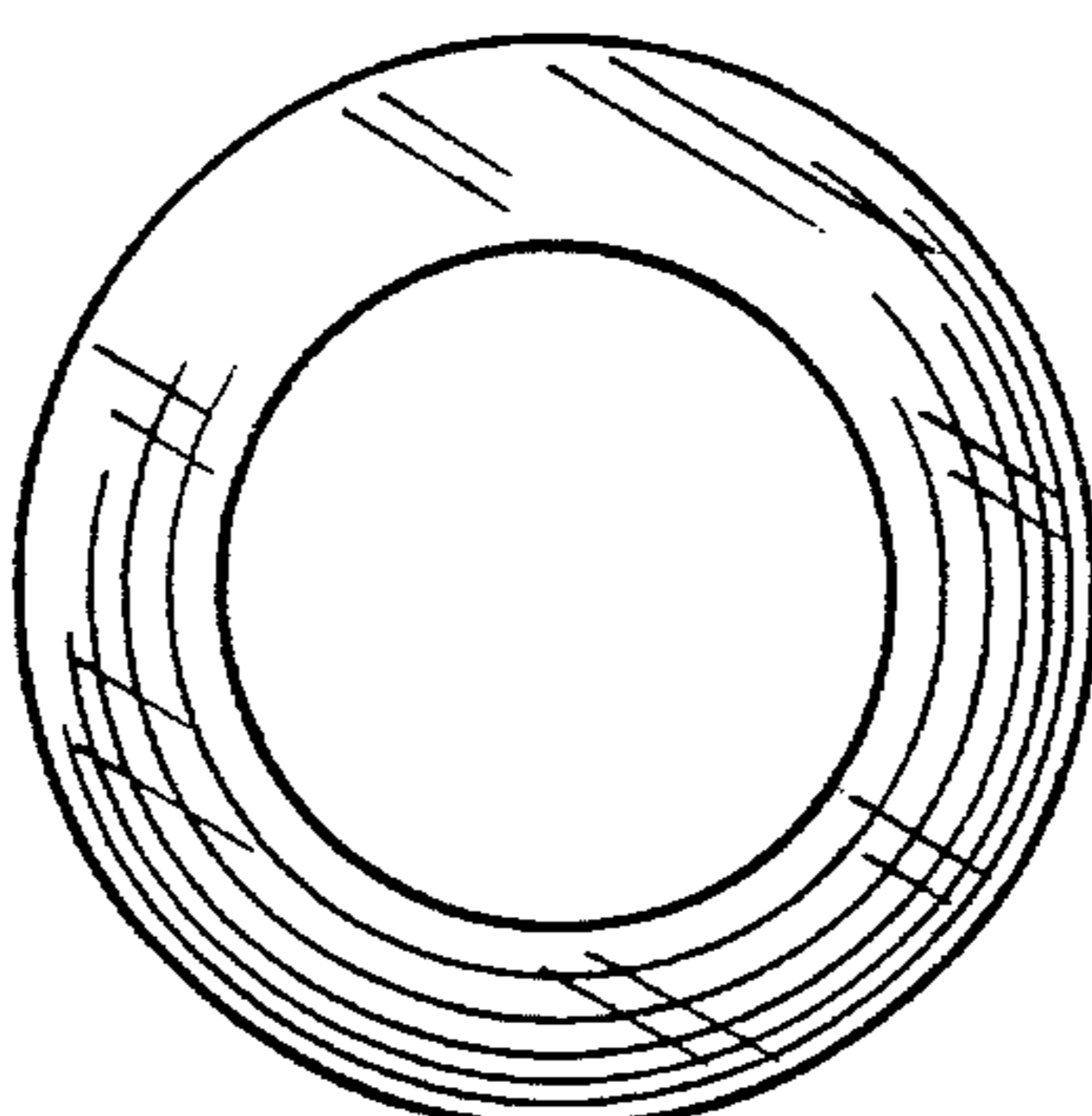


Fig. 3

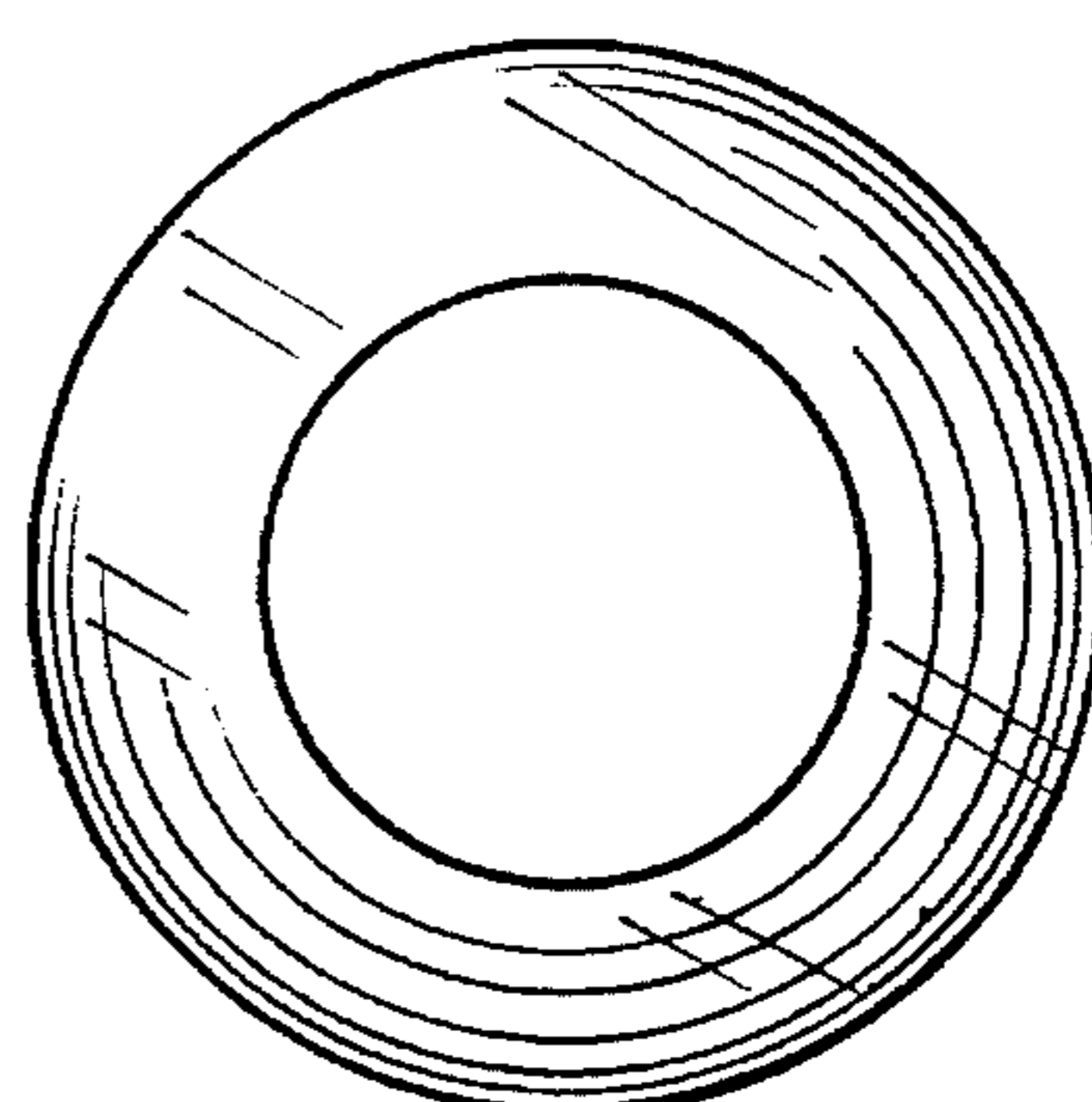


Fig. 4

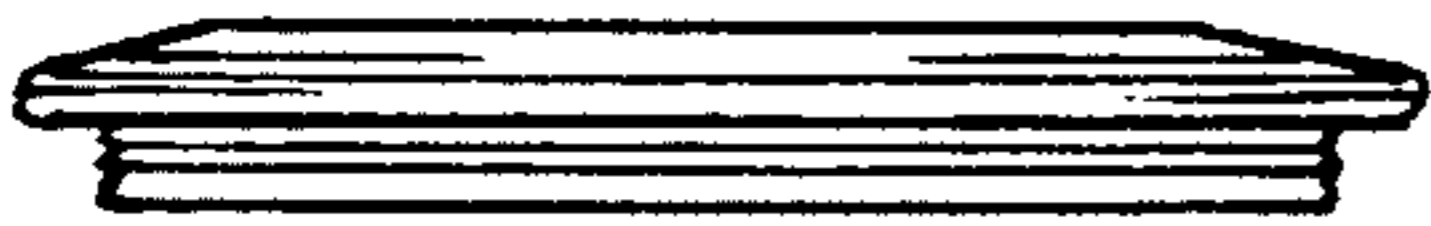


Fig. 5

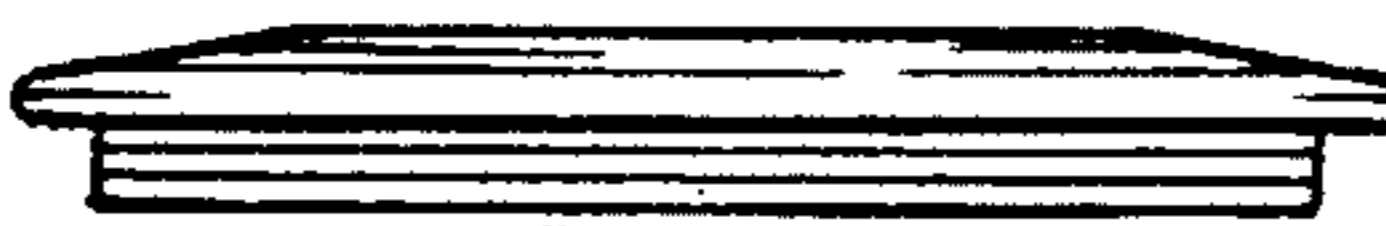


Fig. 6



Fig. 7

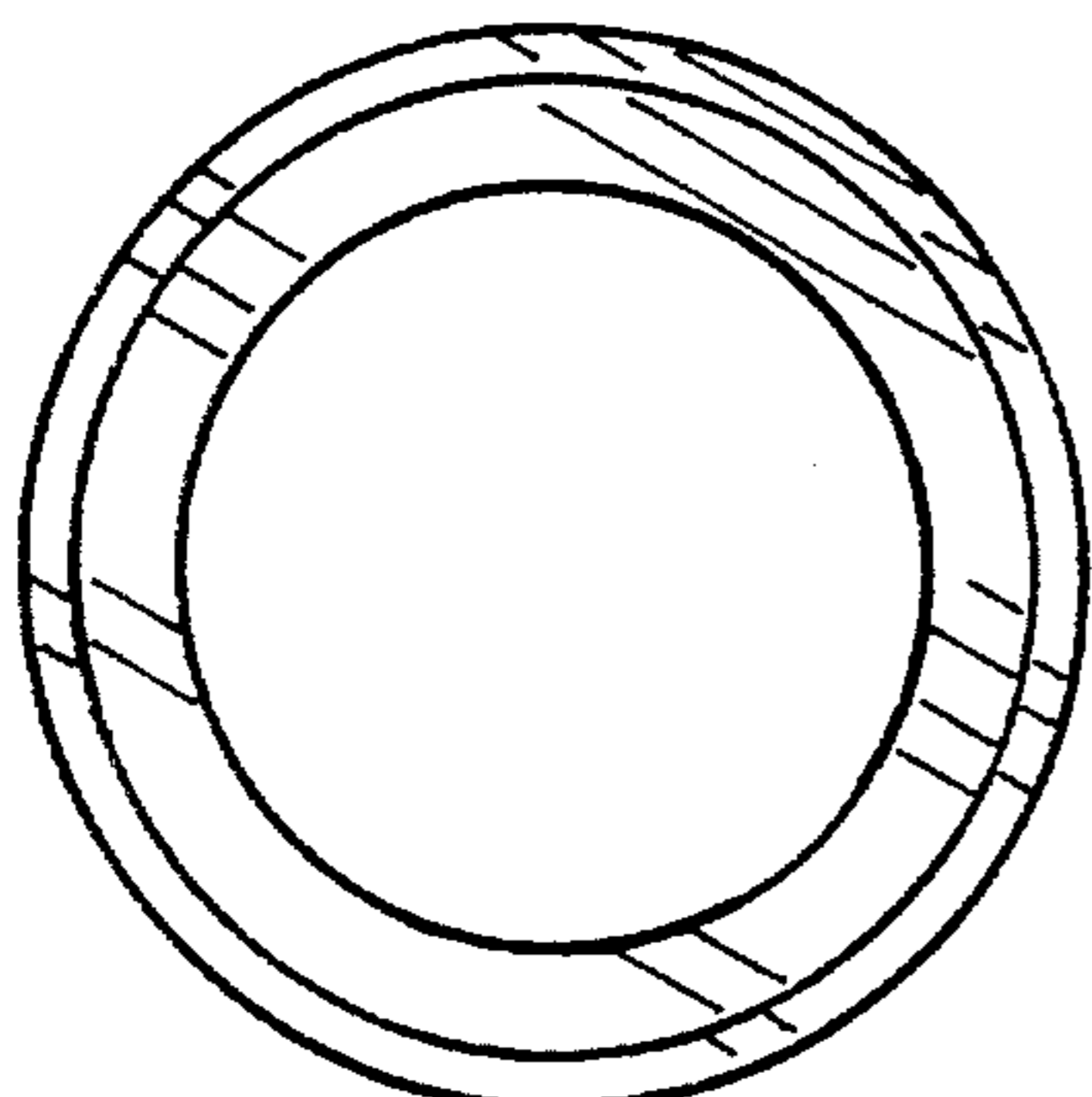


Fig. 8

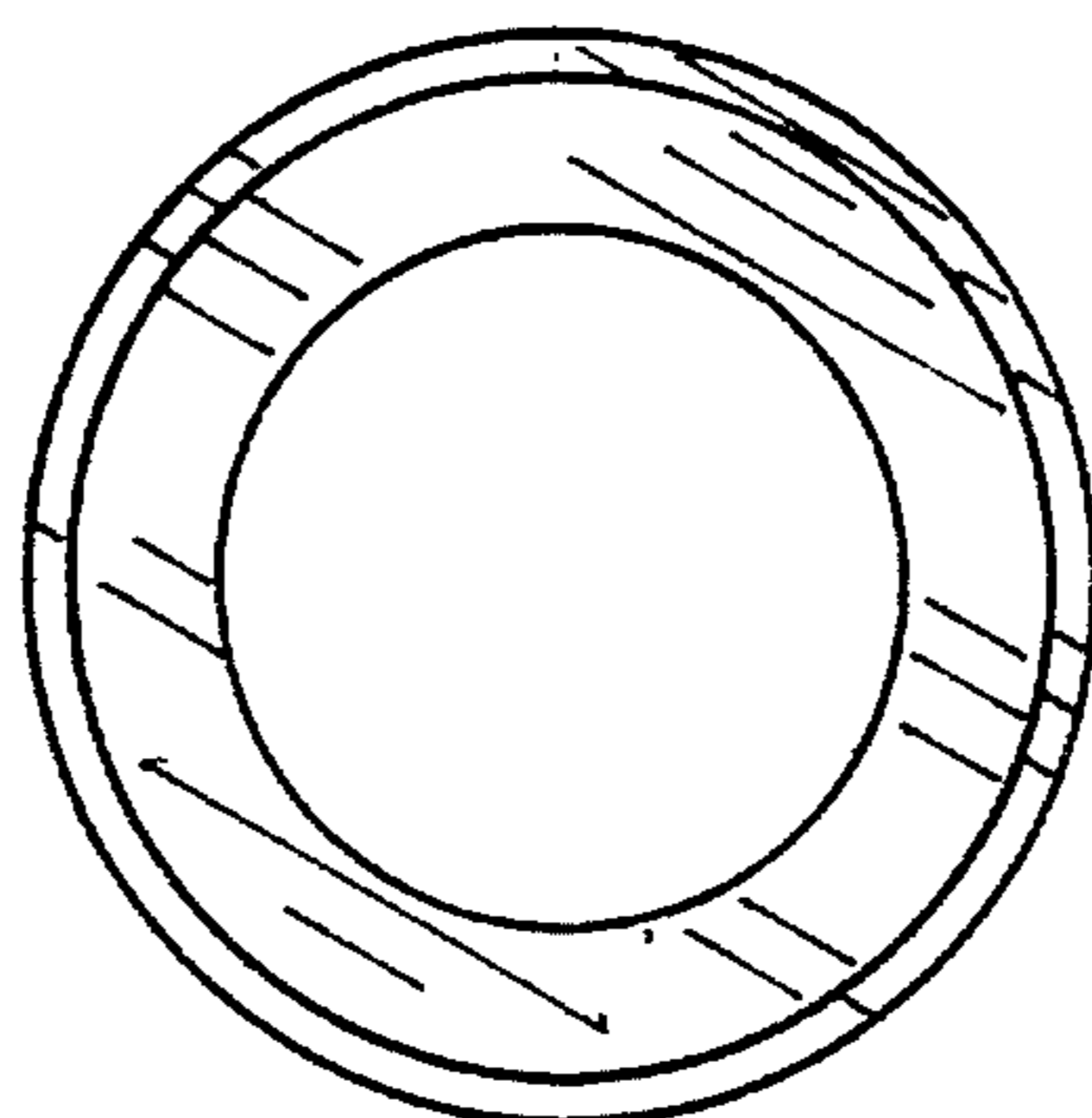


Fig. 9

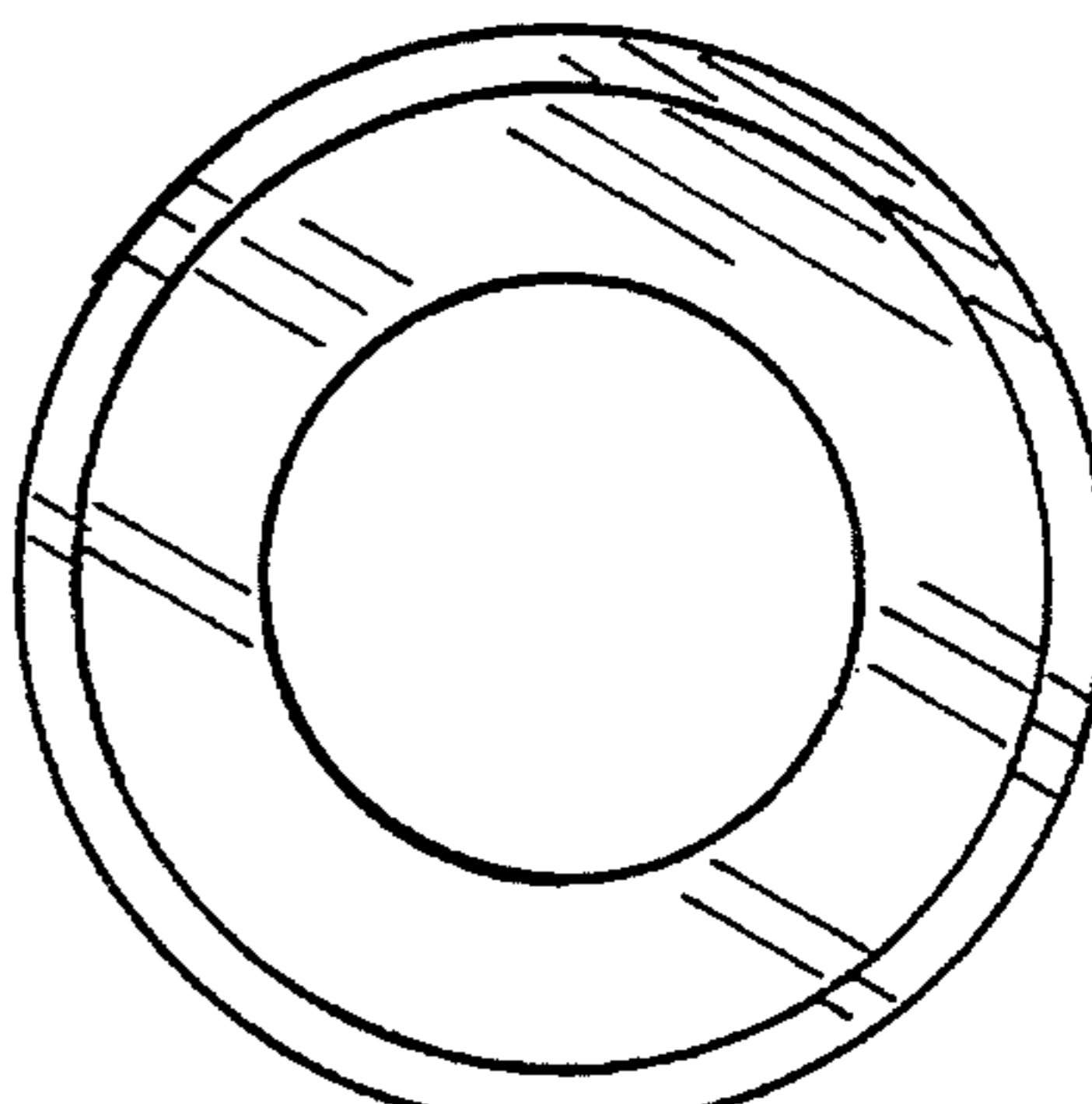


Fig. 10

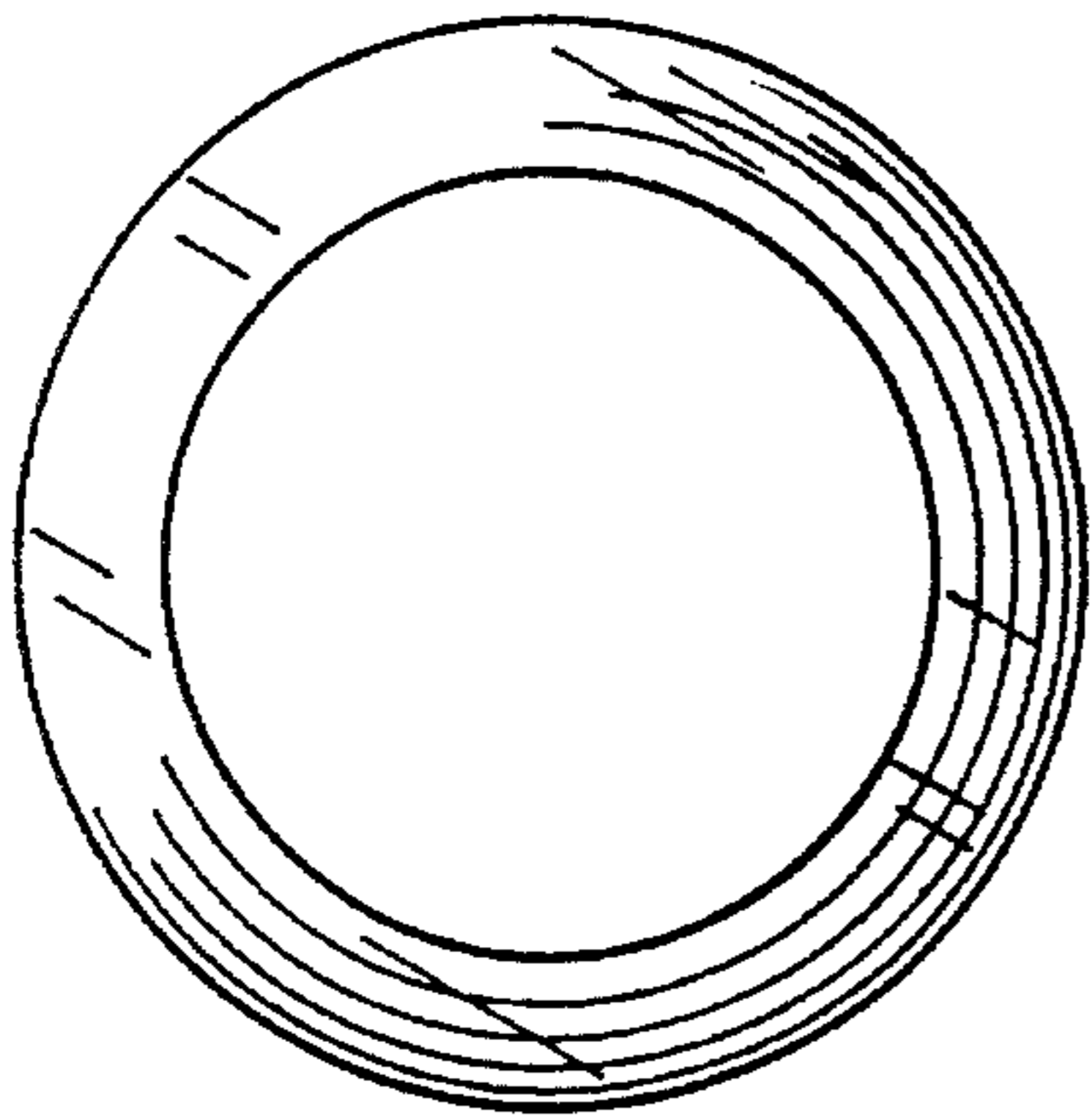


Fig. 11



Fig. 12

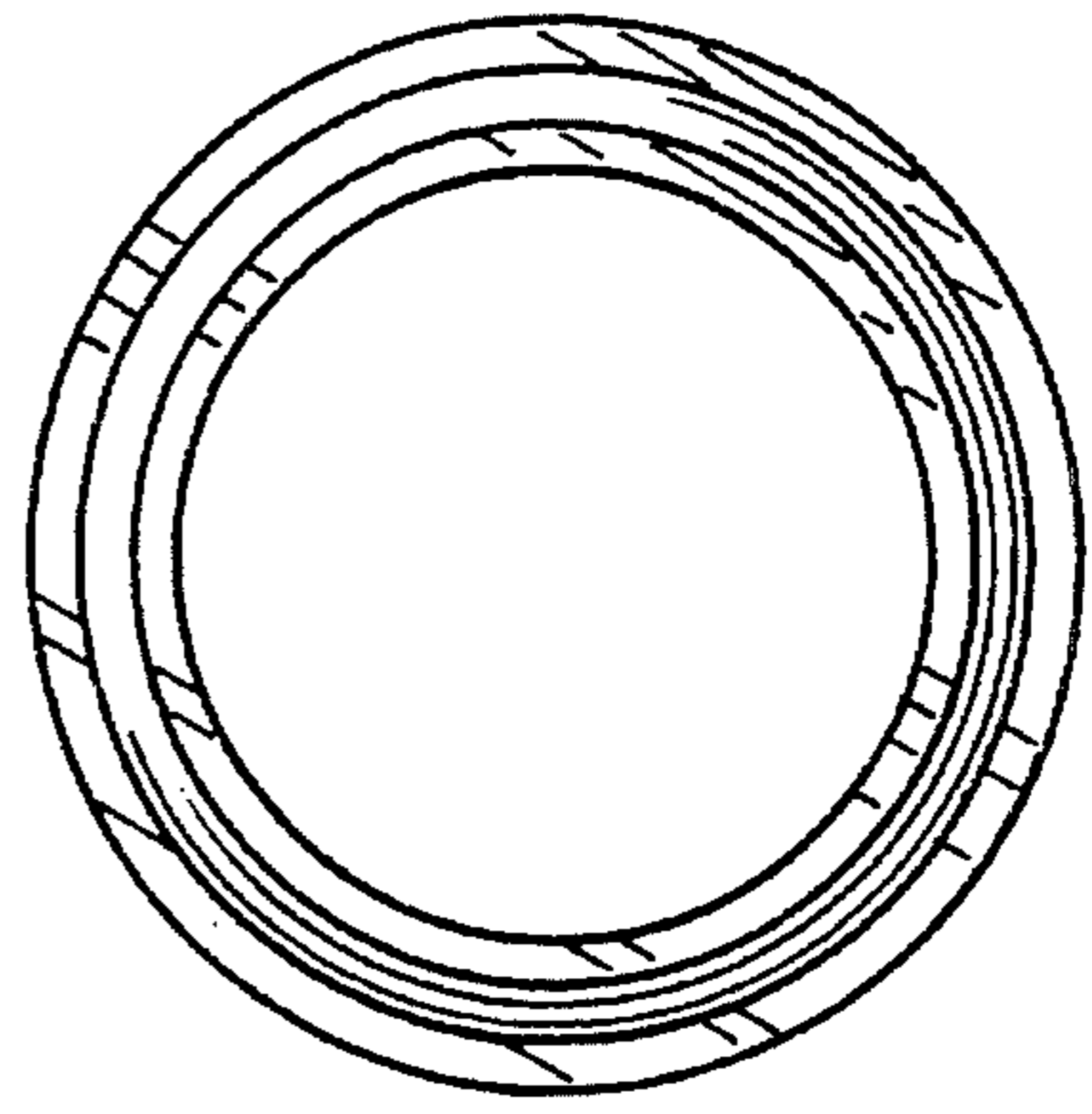


Fig. 13

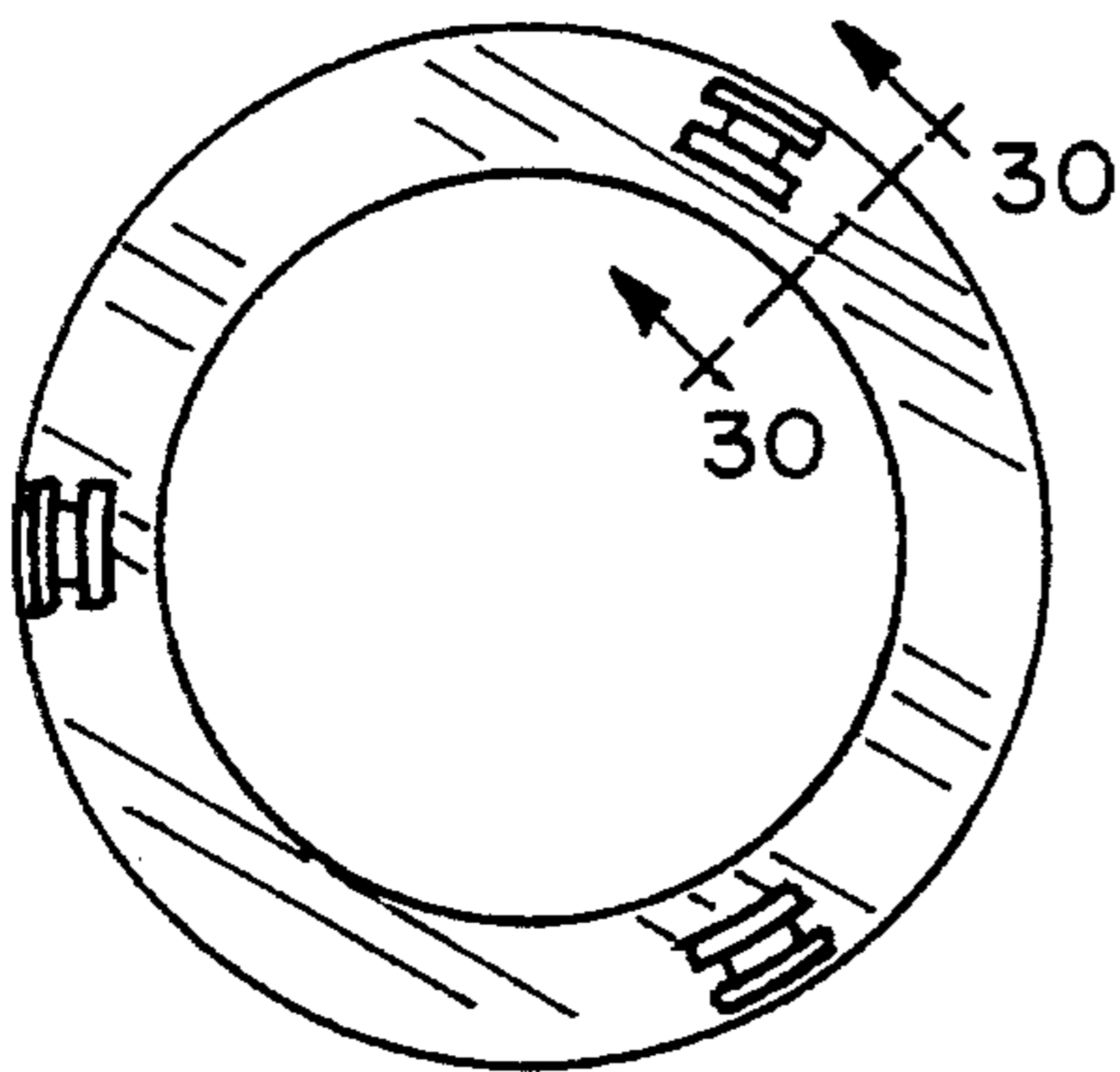


Fig. 14



Fig. 15

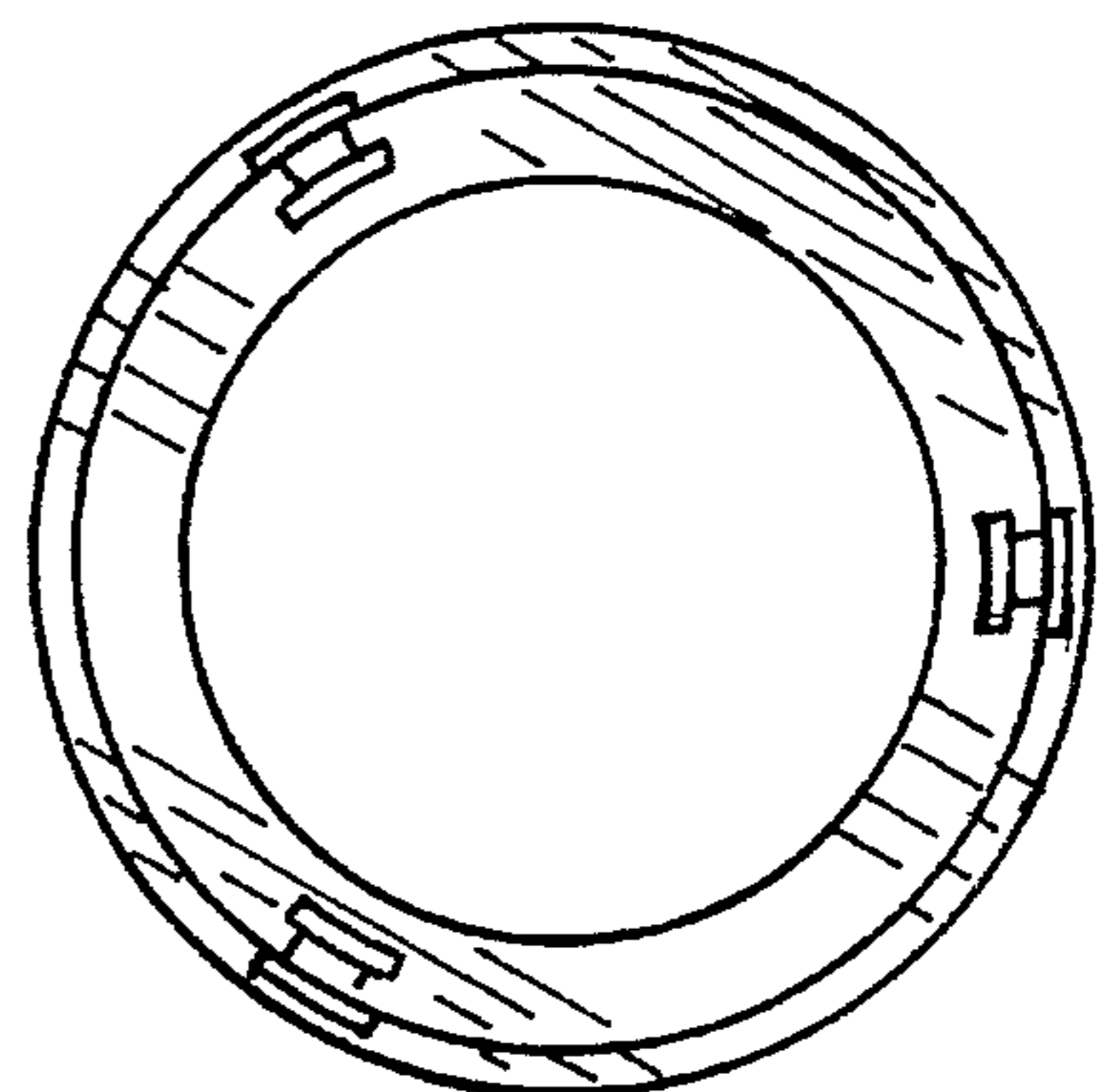


Fig. 16

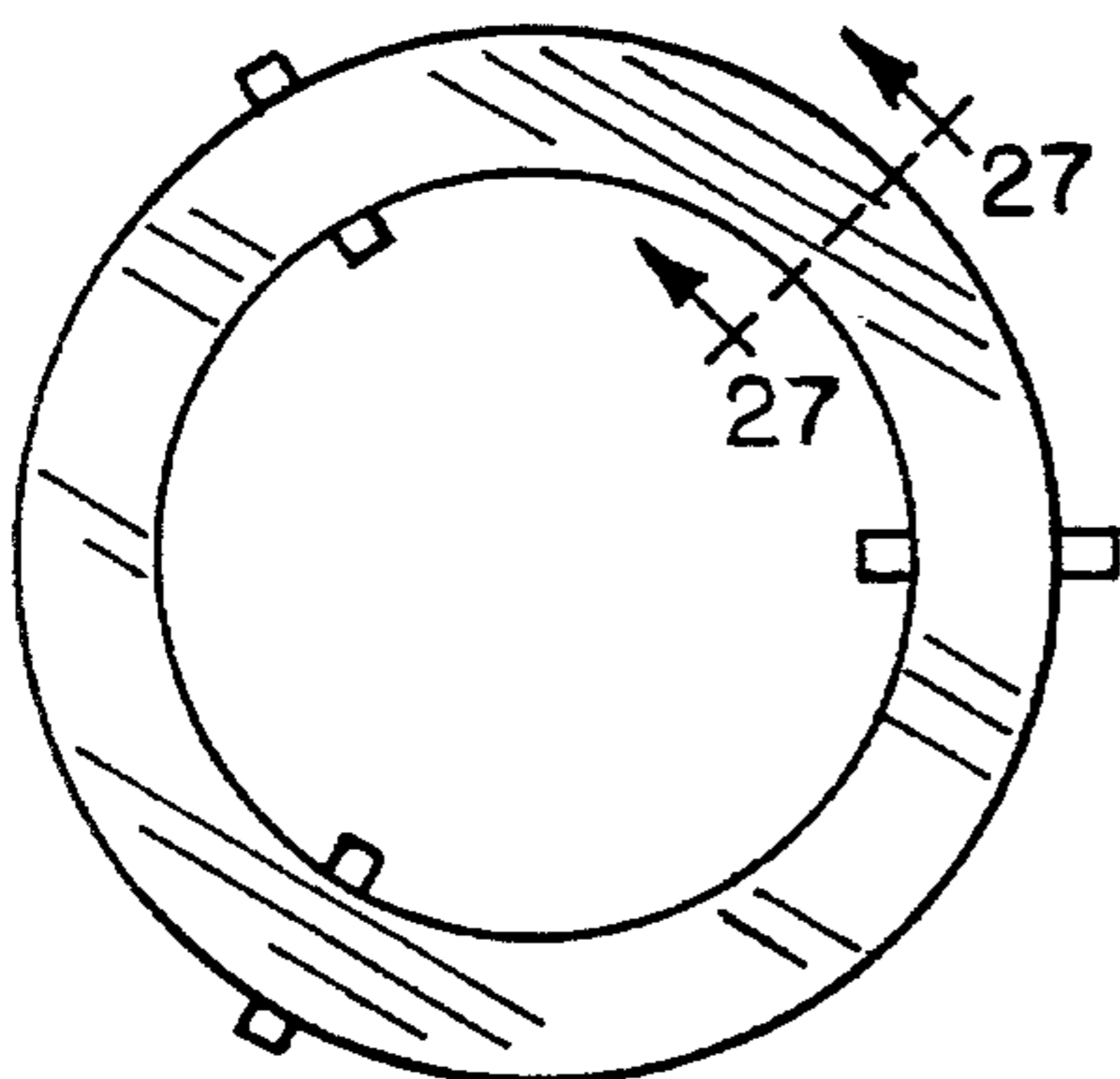


Fig. 17



Fig. 18

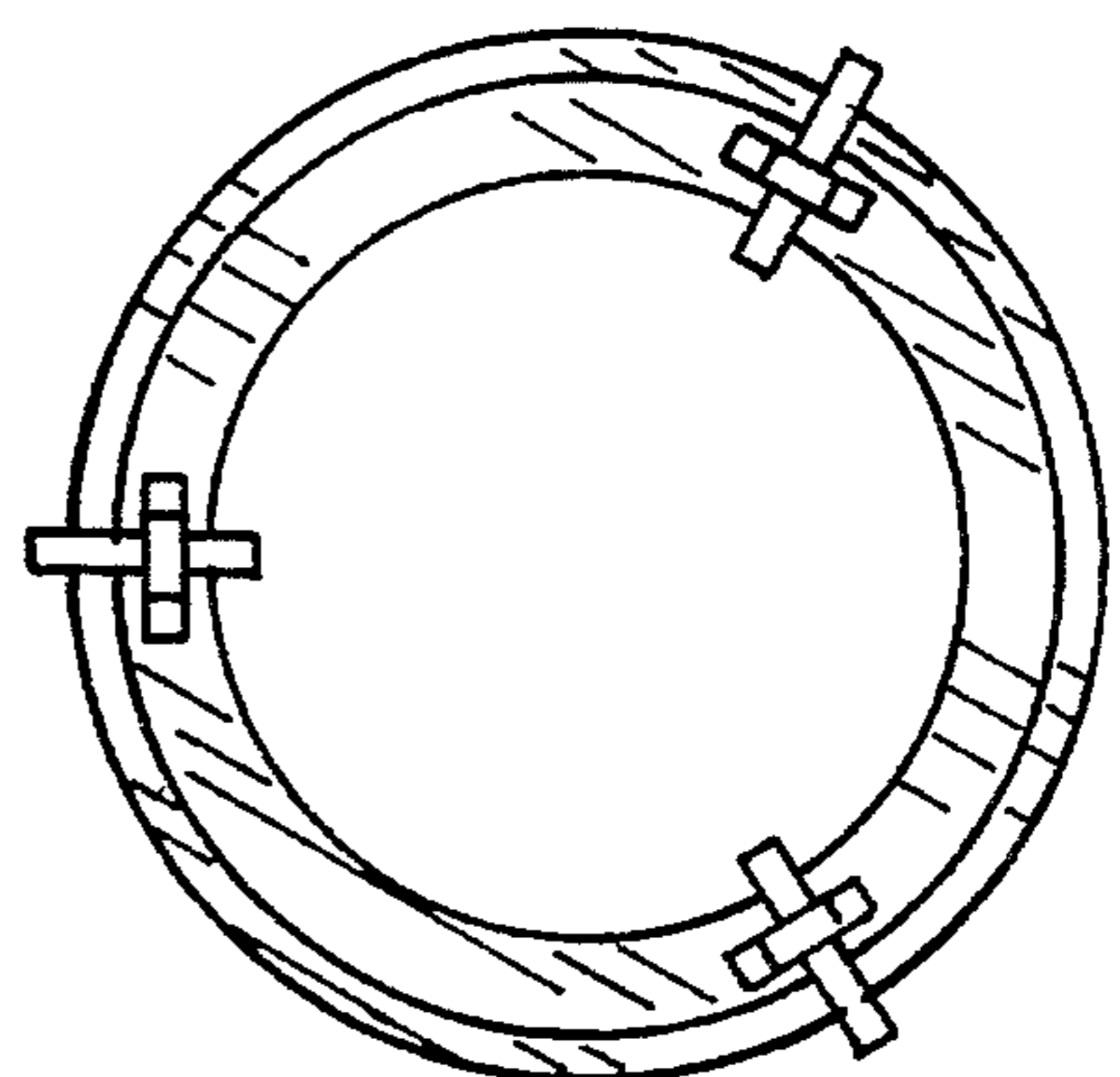


Fig. 19

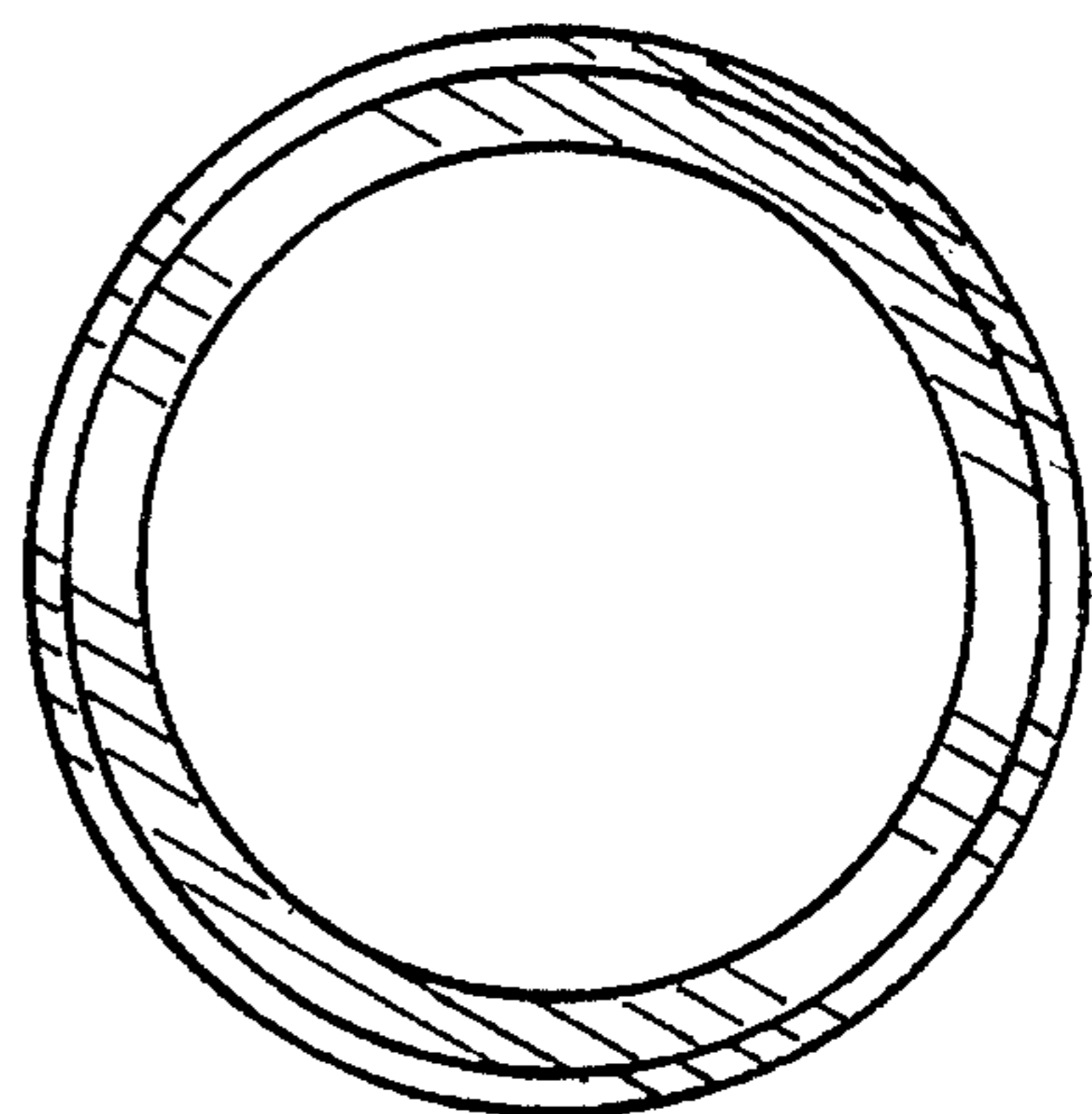
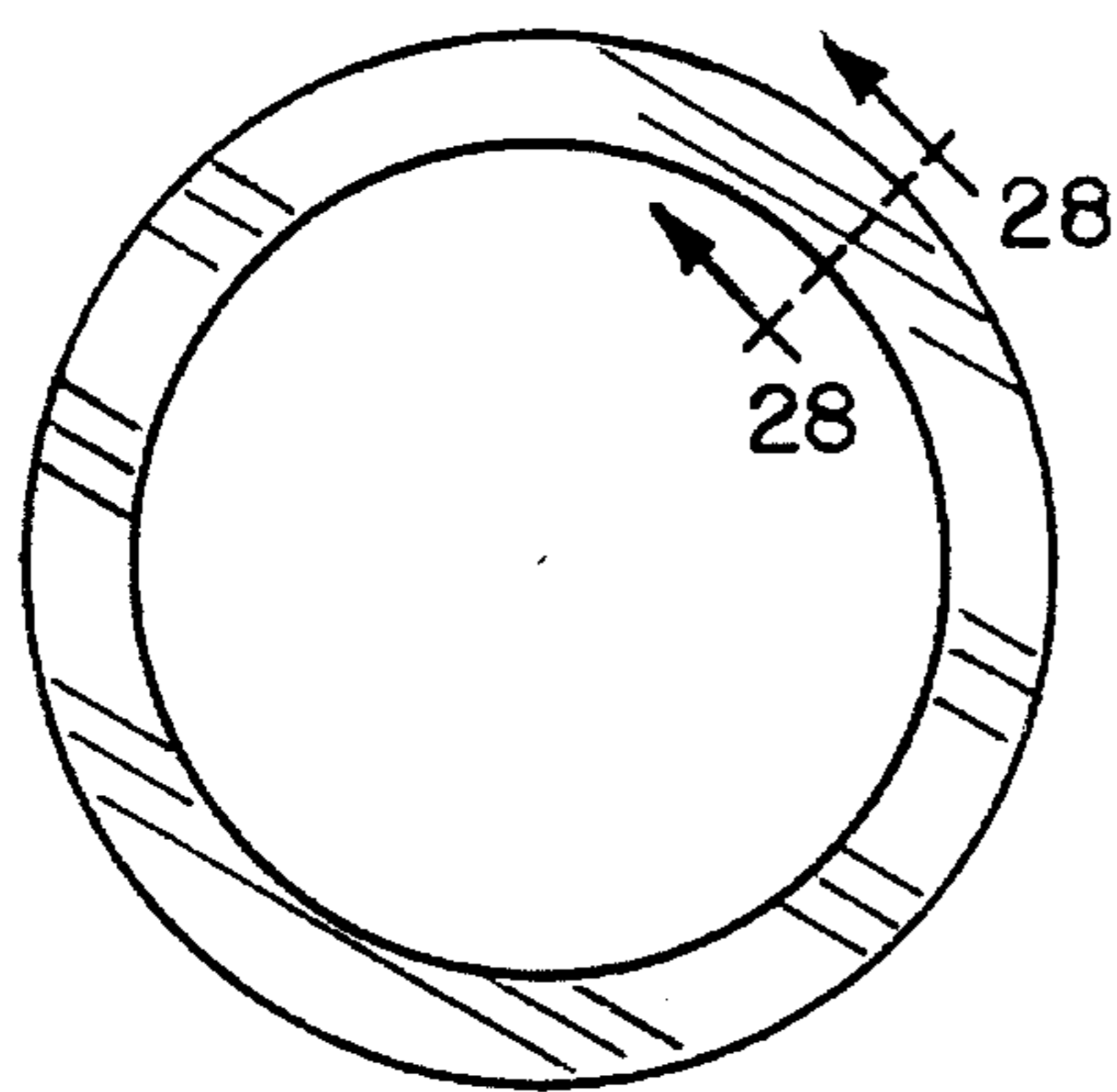


Fig. 20 *Fig. 21* *Fig. 22*

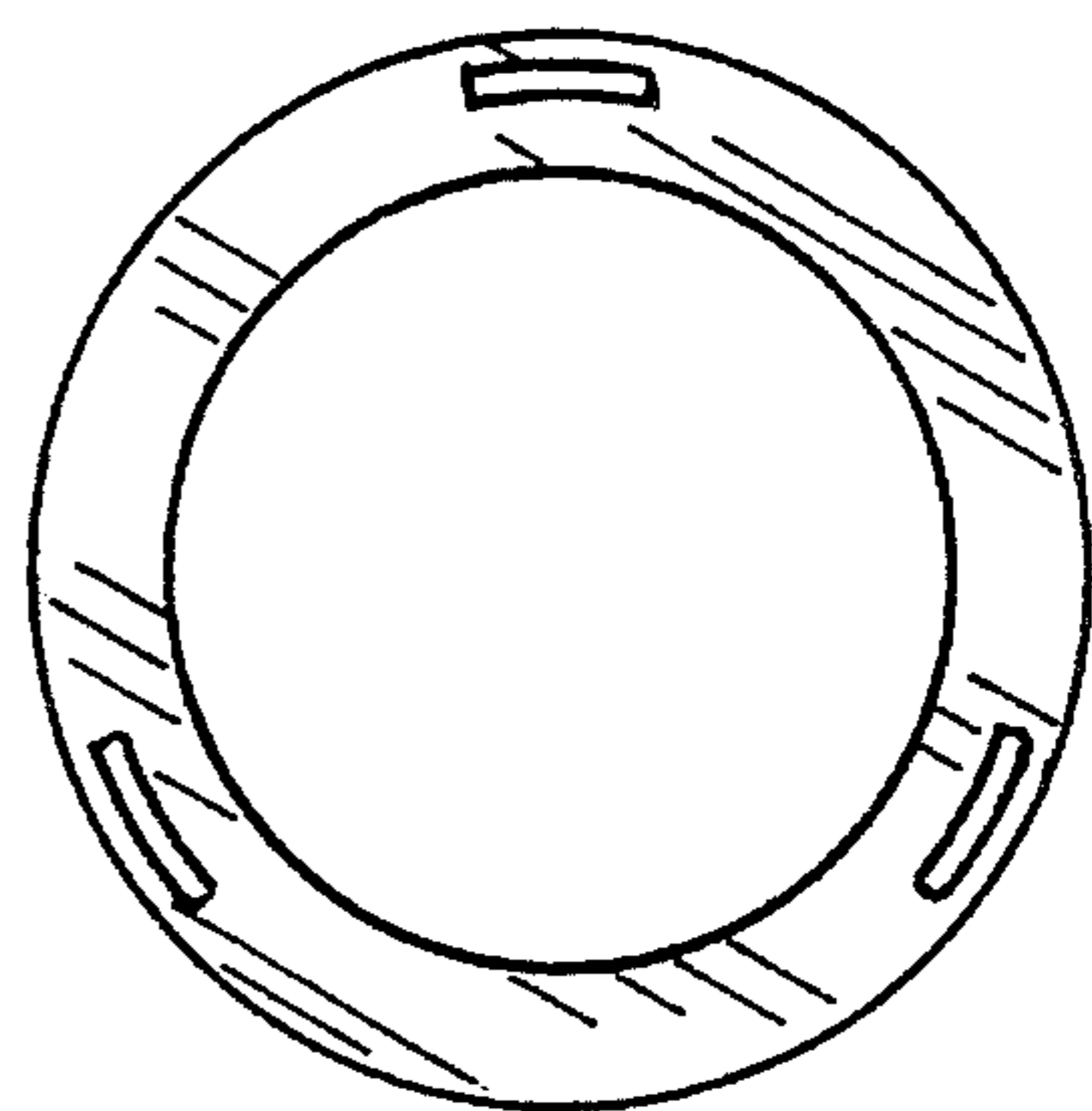
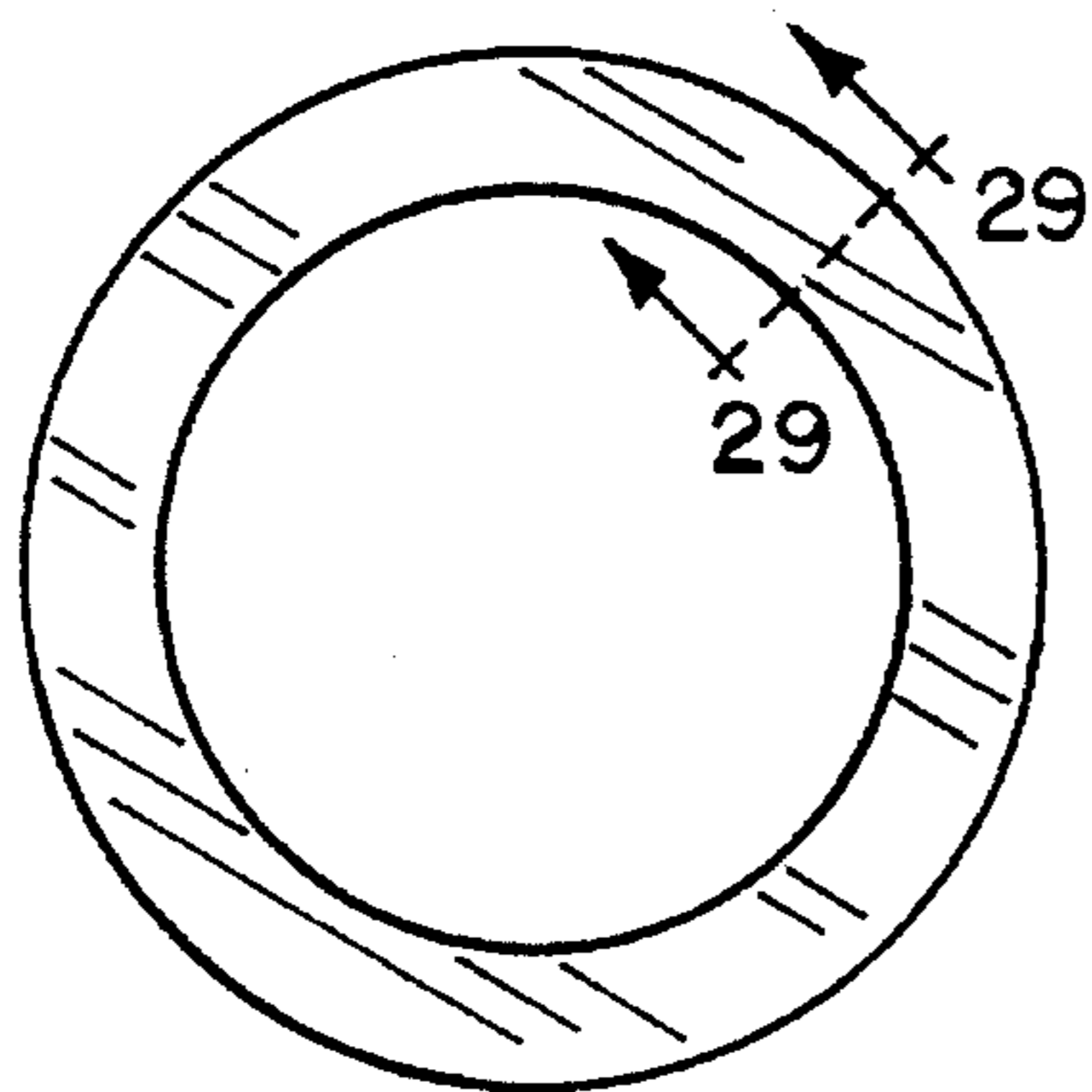


Fig. 23 *Fig. 24* *Fig. 25*

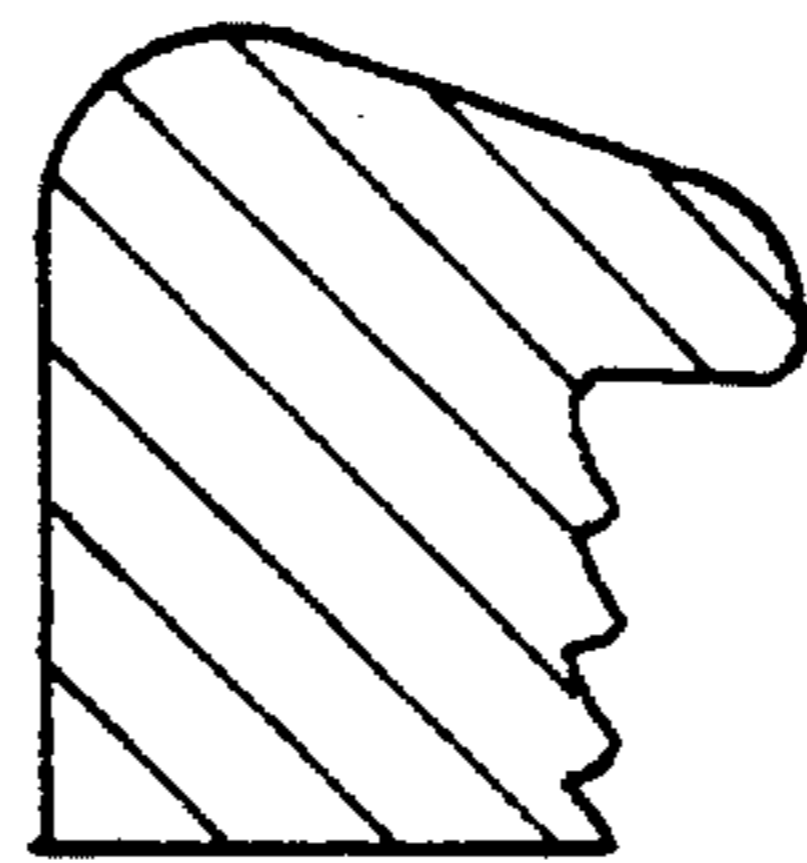


Fig. 26 *Fig. 27*

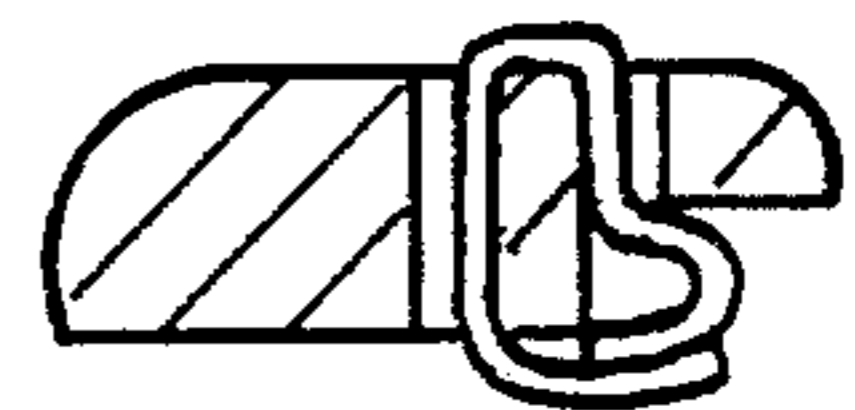


Fig. 28 *Fig. 29* *Fig. 30*

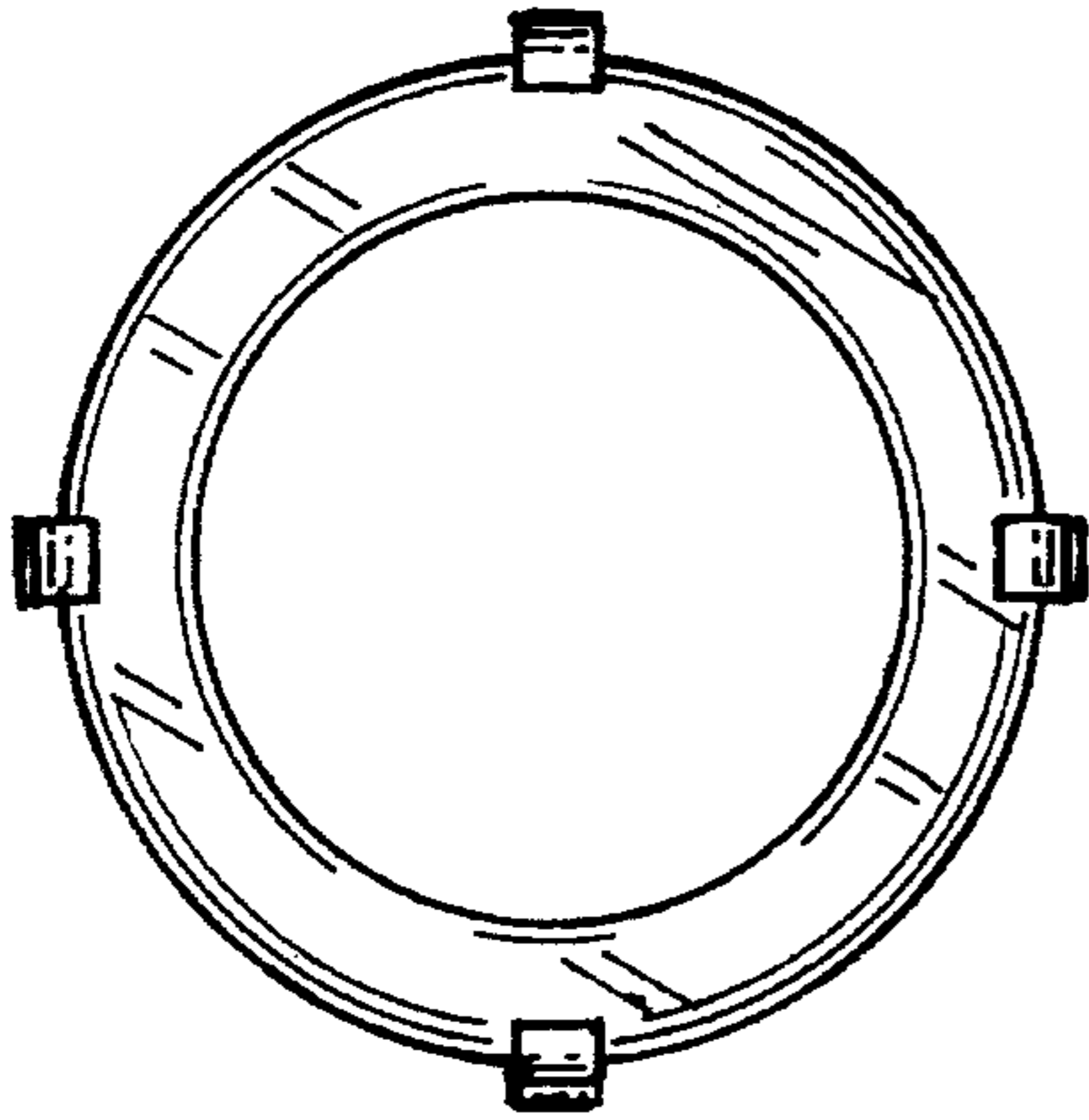


Fig. 31

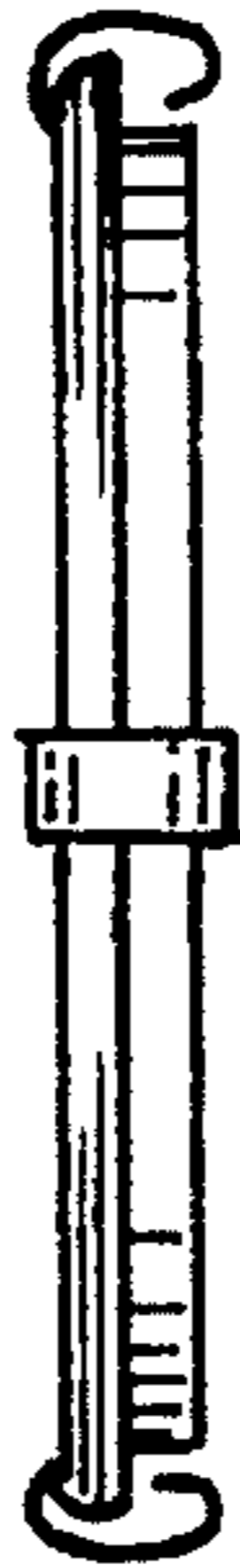


Fig. 32

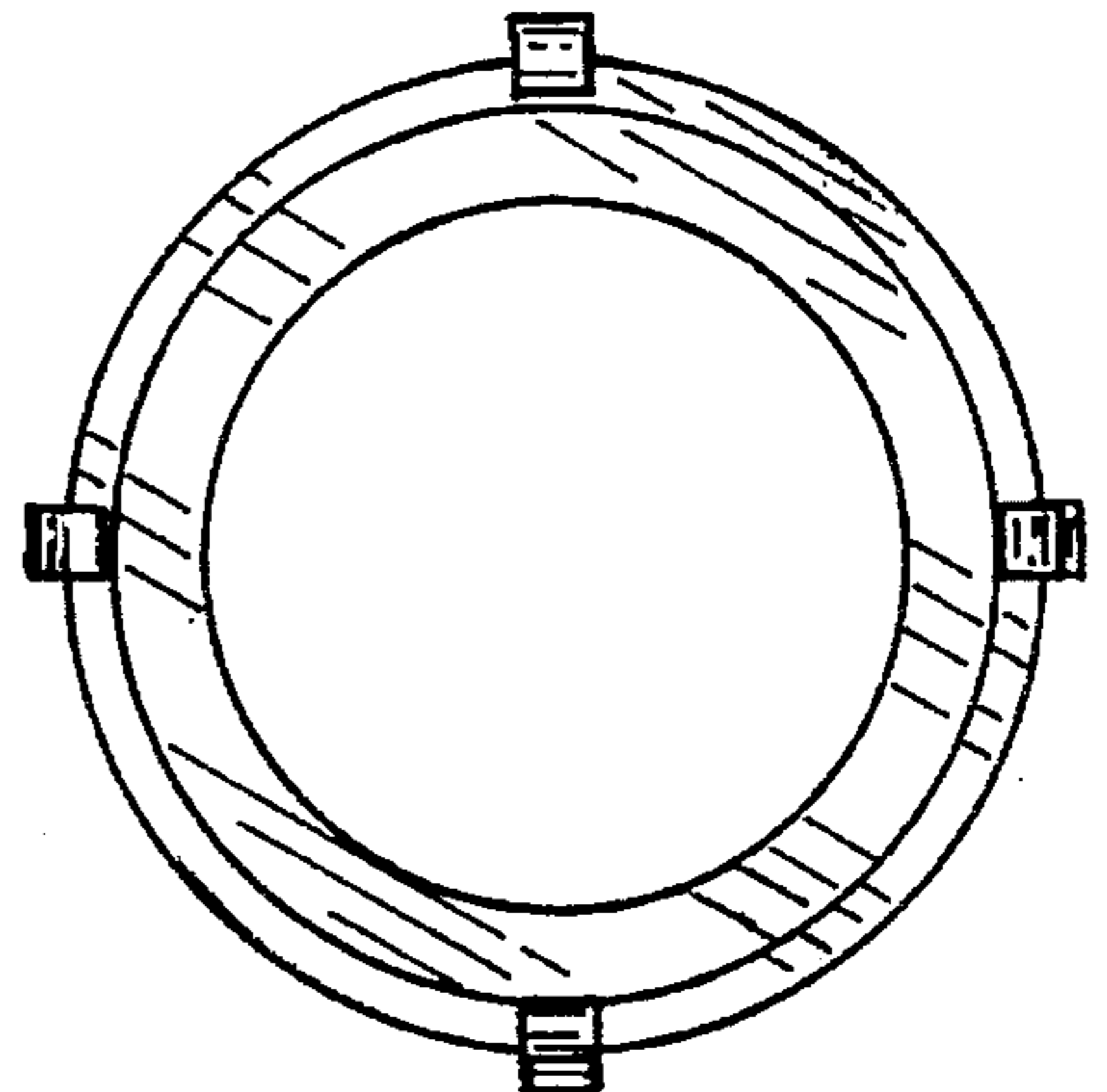


Fig. 33