



US00D365372S

United States Patent [19]
Churchman

[11] **Patent Number: Des. 365,372**

[45] **Date of Patent: **Dec. 19, 1995**

[54] **TRACK YO-YO**

[76] **Inventor: Fred L. Churchman, 451 Maxine Dr.,
Baton Rouge, La. 70808**

[**] **Term: 14 Years**

[21] **Appl. No.: 22,871**

[22] **Filed: May 13, 1994**

[52] **U.S. Cl. D21/99; D21/92**

[58] **Field of Search D21/59, 62, 98,
D21/99, 95, 92; 446/216, 251, 263**

[56] **References Cited**

U.S. PATENT DOCUMENTS

D. 169,589 5/1953 Hassenfeld D21/62

D. 199,401 10/1964 Alford D21/59
D. 275,582 9/1984 MacCarthy D21/99
870,146 11/1907 Webb 446/263 X
886,595 5/1908 Glasscock 446/263

Primary Examiner—Dominic Simone

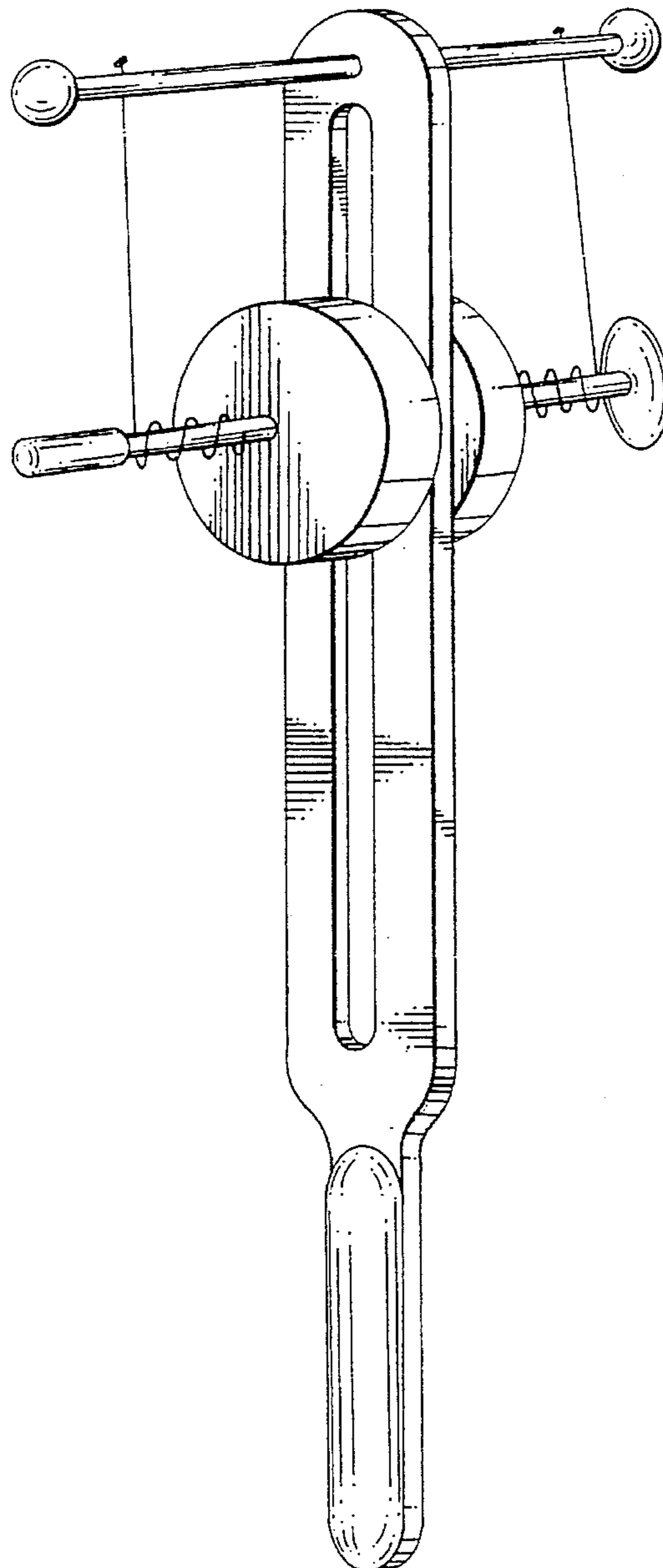
[57] **CLAIM**

The ornamental design for a track yo-yo, as shown.

DESCRIPTION

FIG. 1 is a perspective view; and,
FIG. 2 is a side view.

1 Claim, 1 Drawing Sheet



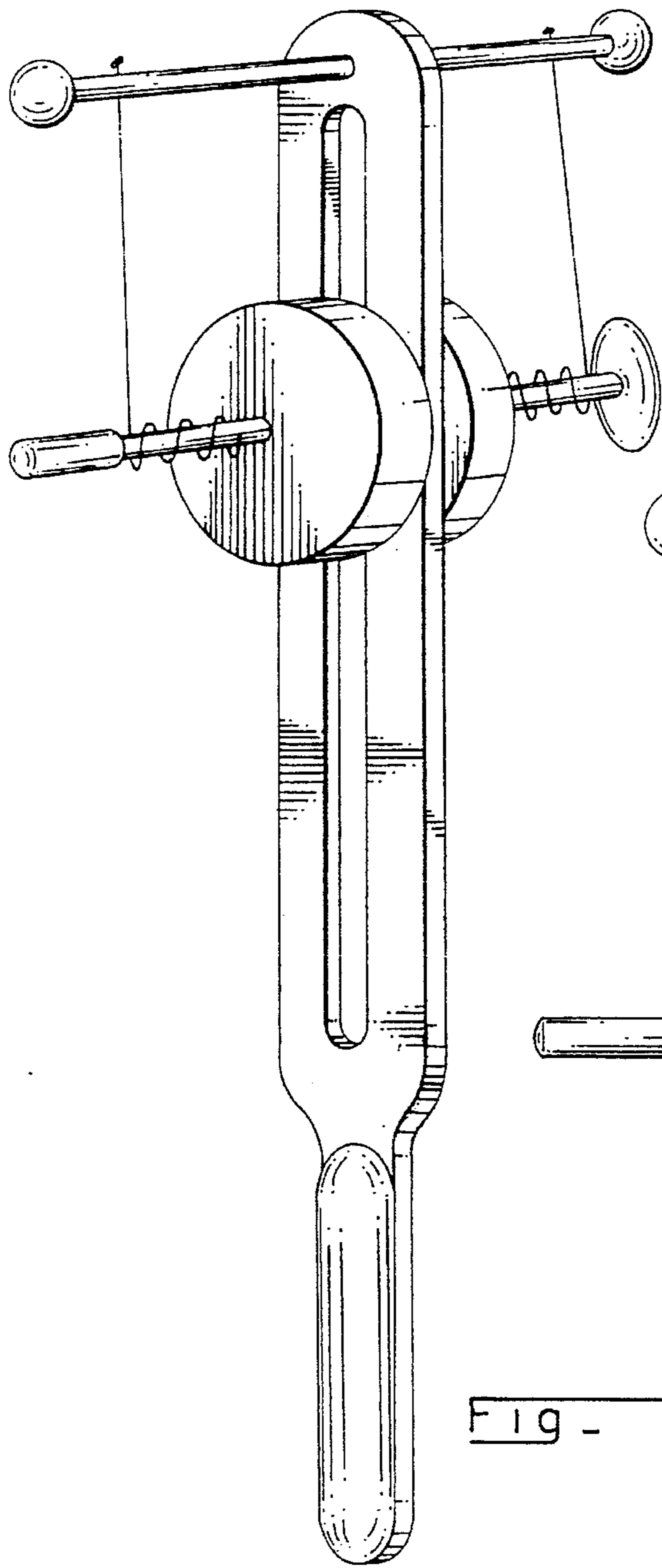


FIG - 1

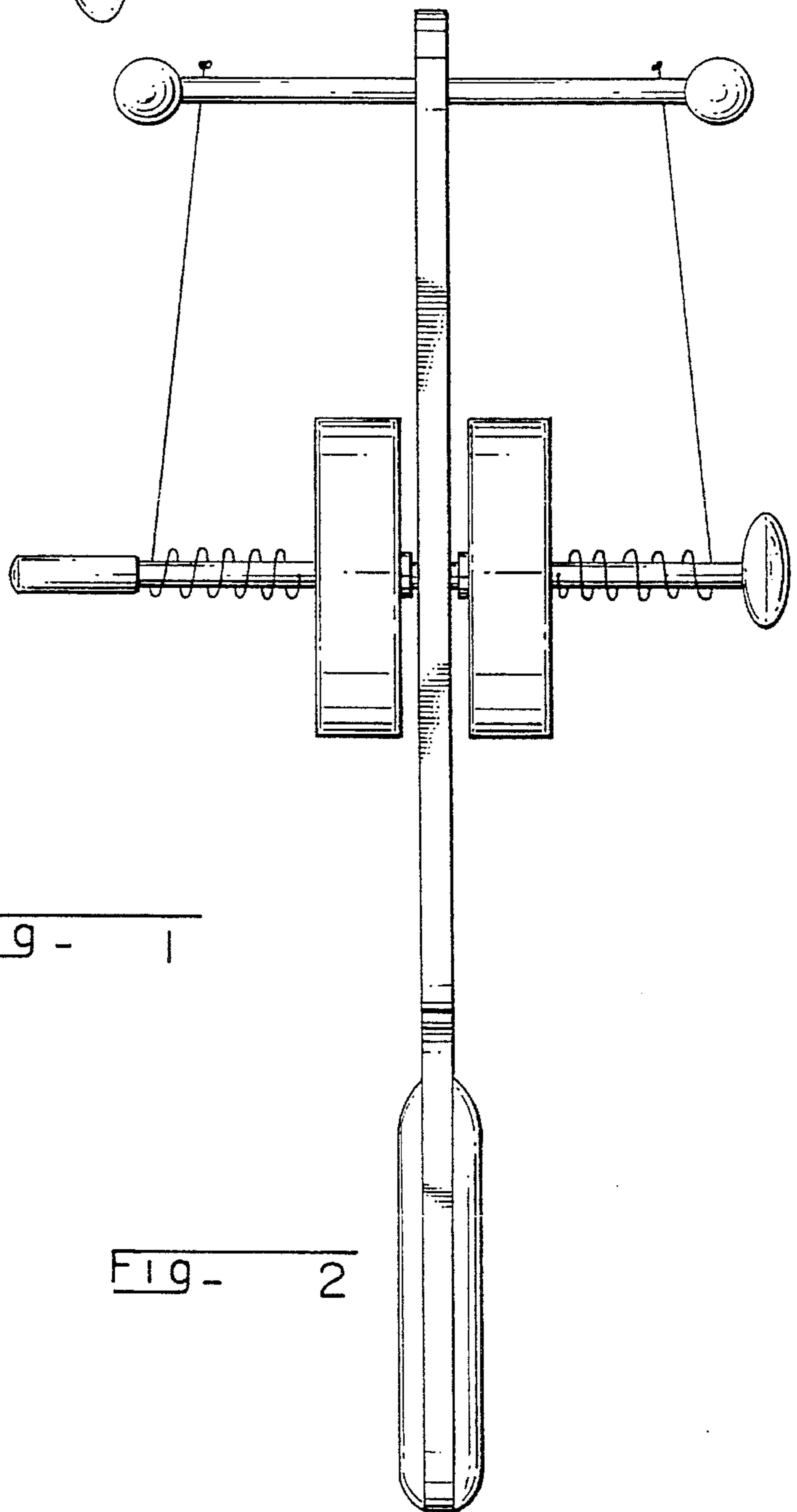


FIG - 2