



US00D365369S

United States Patent [19] Koch

[11] Patent Number: **Des. 365,369**
[45] Date of Patent: ****Dec. 19, 1995**

[54] **DESK TOP ROLL NOTE DISPENSER**

[75] Inventor: **Drake L. Koch**, Kansas City, Mo.

[73] Assignee: **Z-International, Inc.**, North Kansas City, Mo.

[**] Term: **14 Years**

[21] Appl. No.: **30,793**

[22] Filed: **Nov. 8, 1994**

[52] U.S. Cl. **D19/89; D19/86; D6/518**

[58] Field of Search **D19/65, 67-69, D19/70, 75, 78, 86, 89, 95, 99, 100; D6/515, 518; 225/7, 19, 24, 25, 34, 35, 46, 56, 65, 77, 89; 242/159, 170, 172, 173, 176; 118/248**

[56] **References Cited**

U.S. PATENT DOCUMENTS

D. 151,072	9/1948	Saffert	D19/70	X
D. 162,059	2/1951	Morris	D19/70	X
D. 230,637	3/1974	Clement	D19/69	X
D. 249,352	9/1978	Kirchhoff	D19/69	
D. 325,394	4/1992	Ishii	D19/69	X
D. 329,464	9/1992	Hu	D19/75	
1,240,279	9/1917	Wilson	118/248	

OTHER PUBLICATIONS

Print Inform GmbH & Co., a German company, 3 photographs of Hand Held Roll Note Dispenser, offered for sale in 1990.

Primary Examiner—Martie Thompson
Attorney, Agent, or Firm—Chase & Yakimo

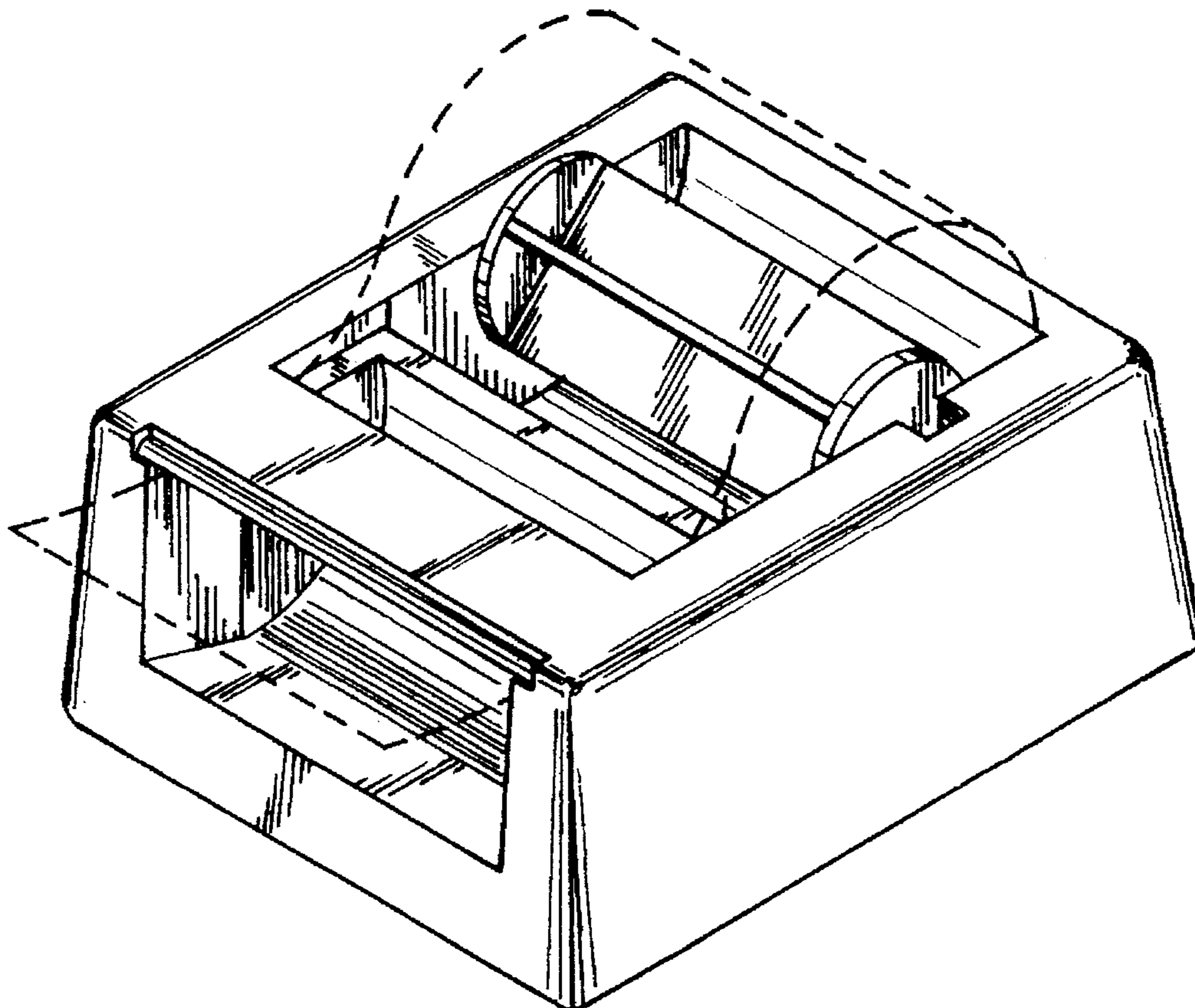
[57] **CLAIM**

The ornamental design for a desk top roll note dispenser, as shown and described.

DESCRIPTION

FIG. 1 is a perspective view of a desk top roll note dispenser showing my new design, the broken lines showing the outline of a roll of paper being for illustrative purposes only and forming no part of the claimed design; FIG. 2 is a right side elevational view thereof, the opposite being a mirror image; FIG. 3 is a front elevational view thereof; FIG. 4 is a rear elevational view thereof; FIG. 5 is a top plan view thereof with the roll note spindle removed to show the curvature of the dispenser; FIG. 6 is a bottom plan view thereof; and, FIG. 7 is a cross-sectional view taken along line 7—7 of FIG. 5.

1 Claim, 2 Drawing Sheets



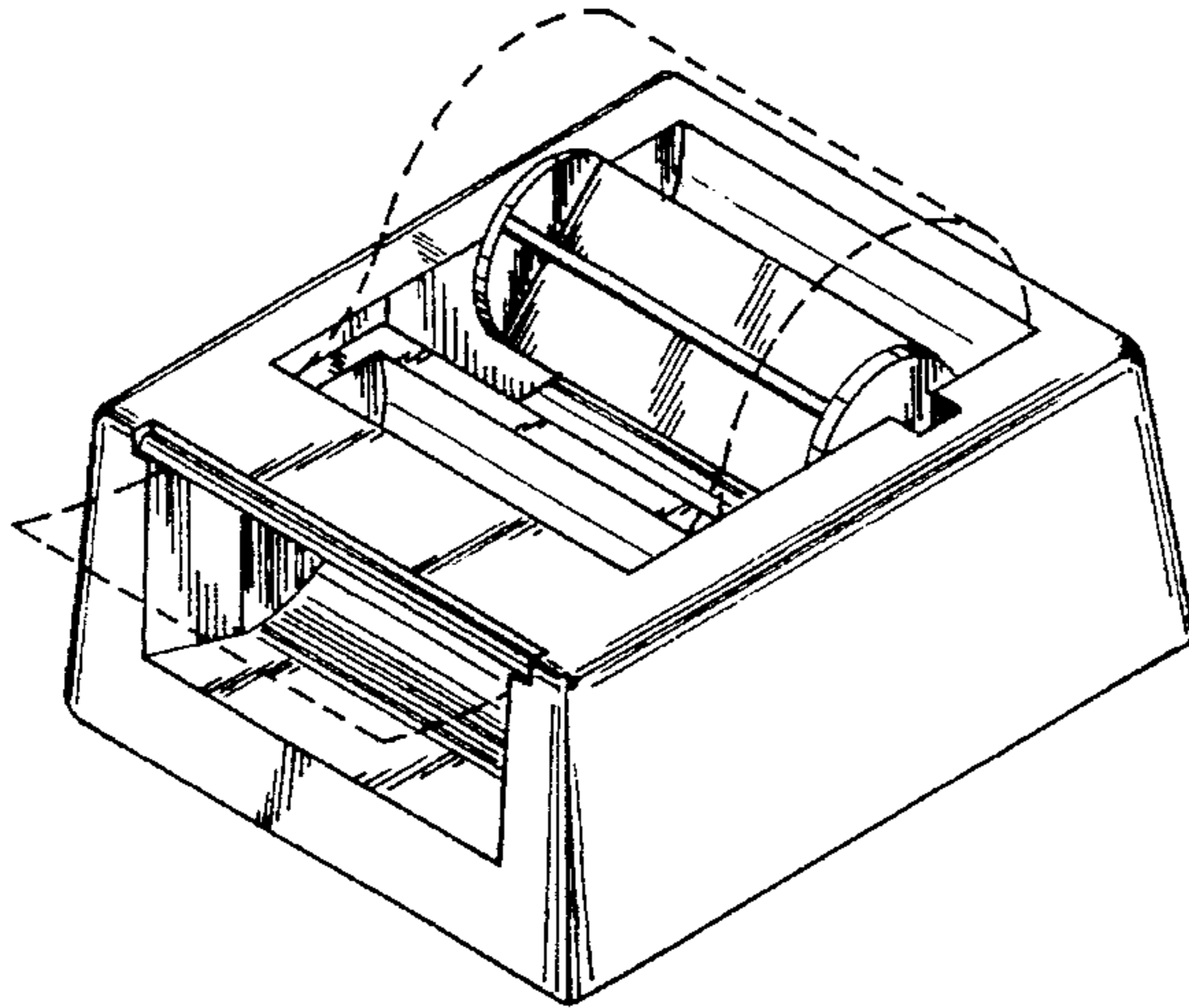


Fig. 1

Fig. 2

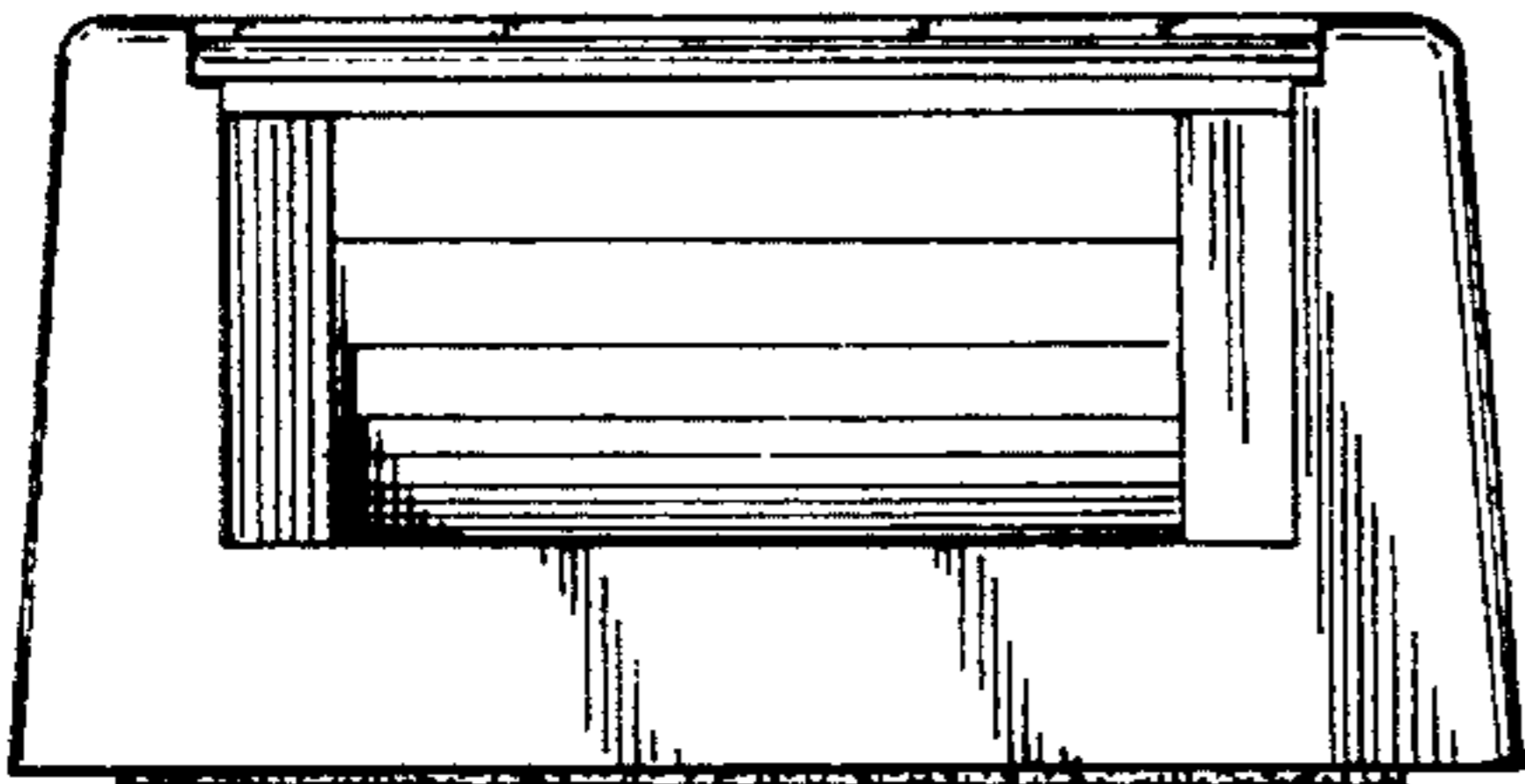
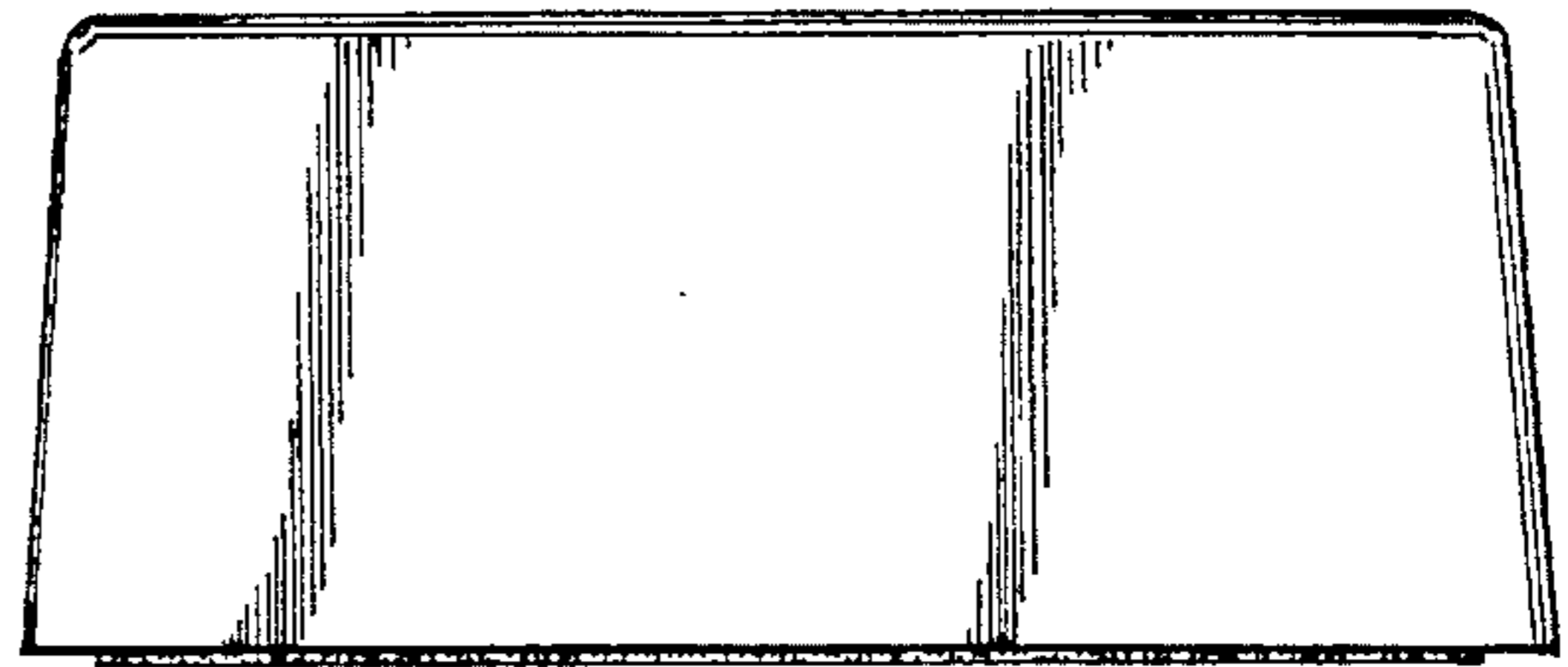
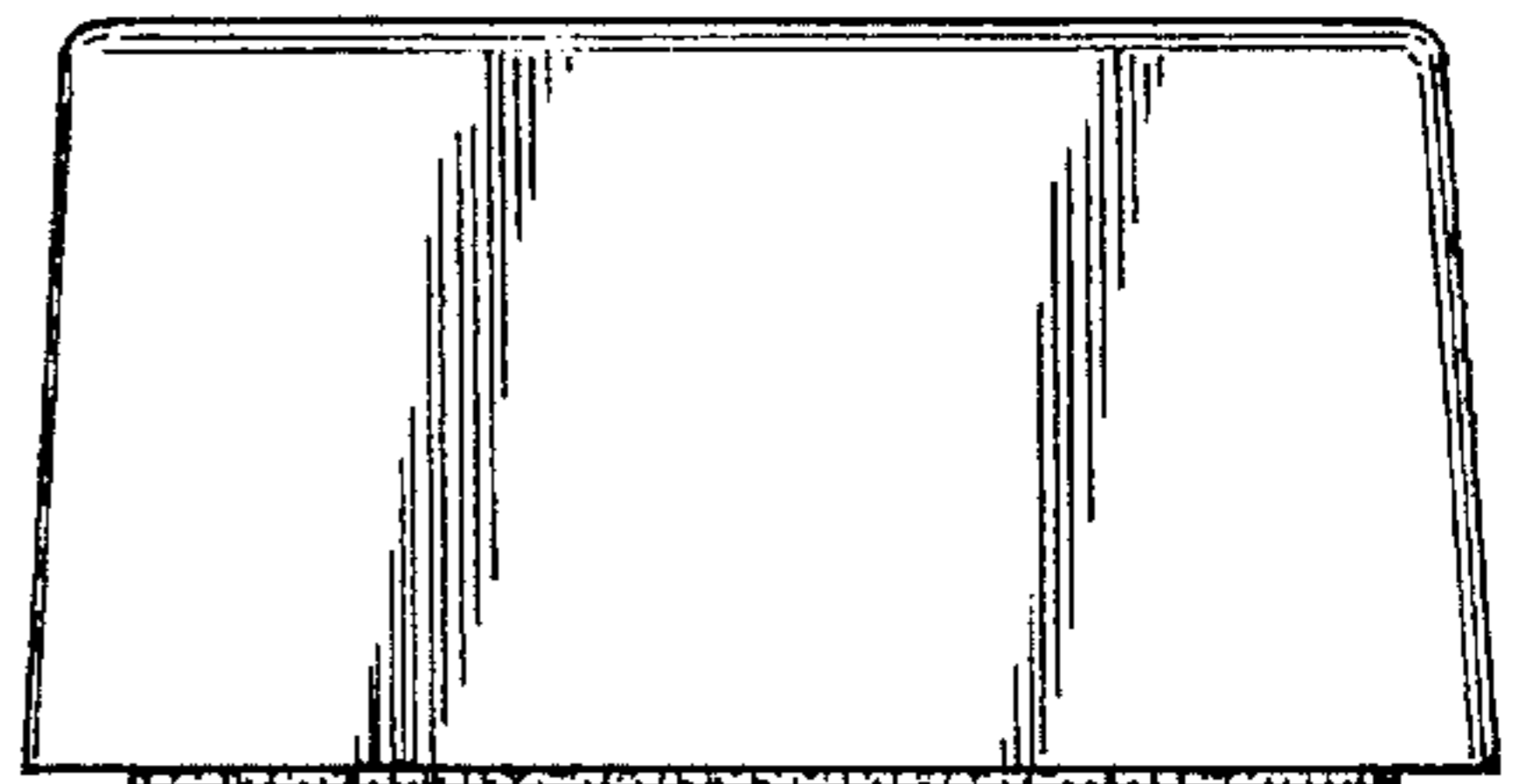


Fig. 3

Fig. 4



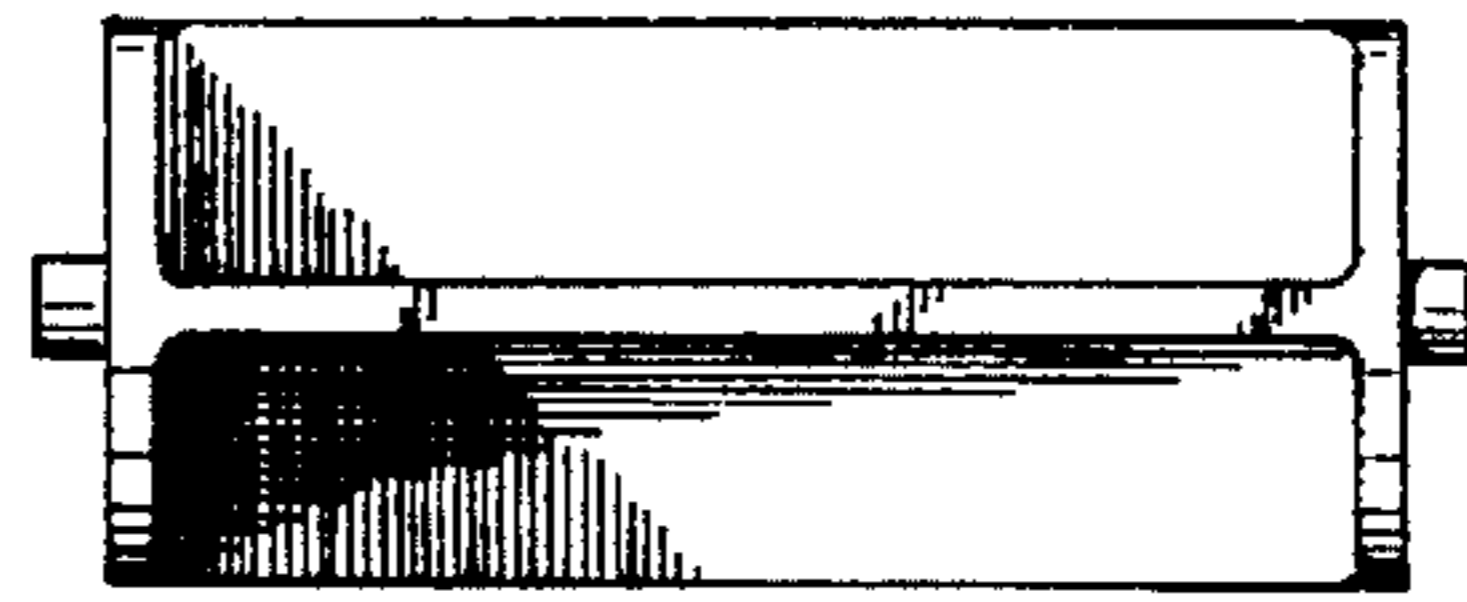
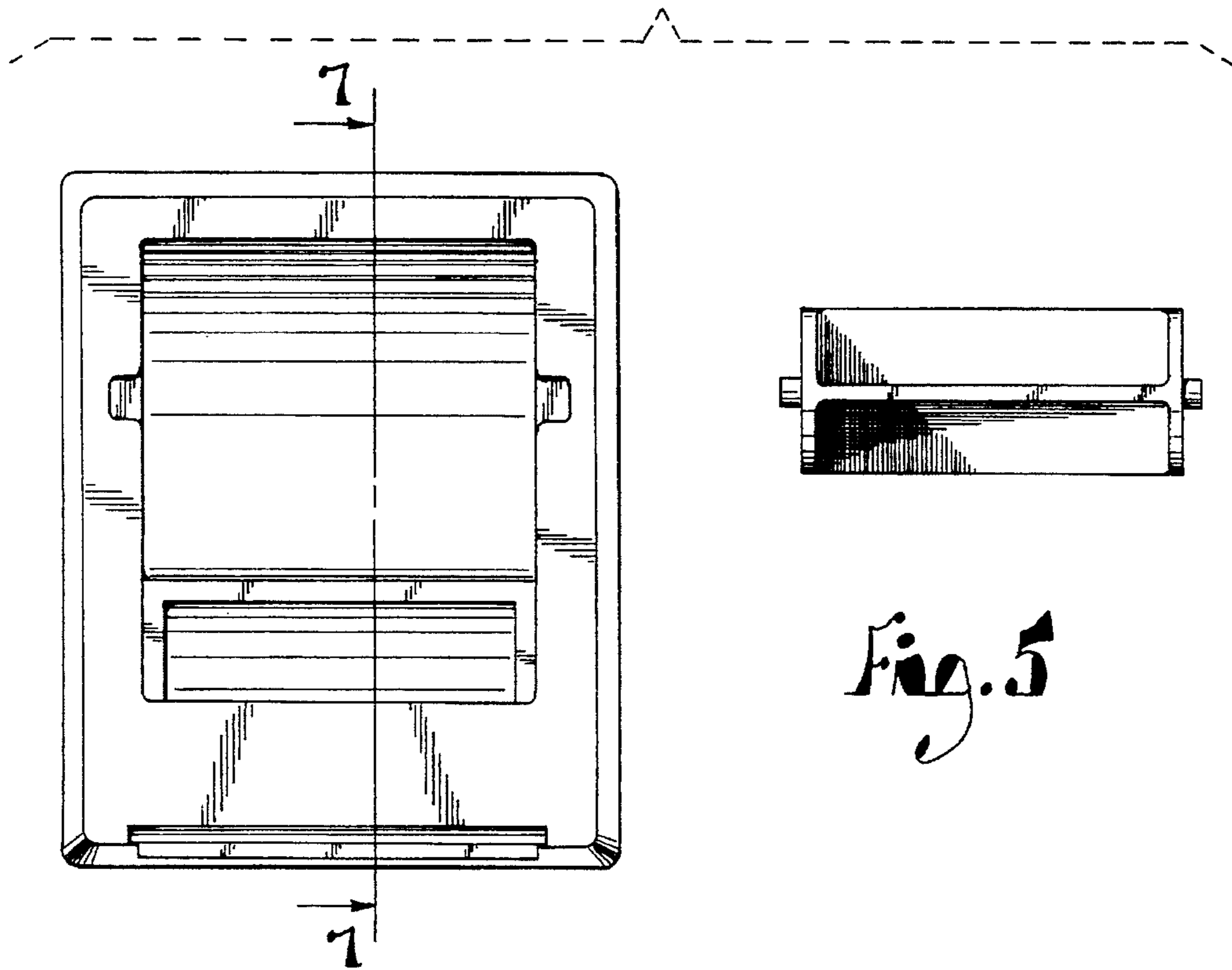


Fig. 5

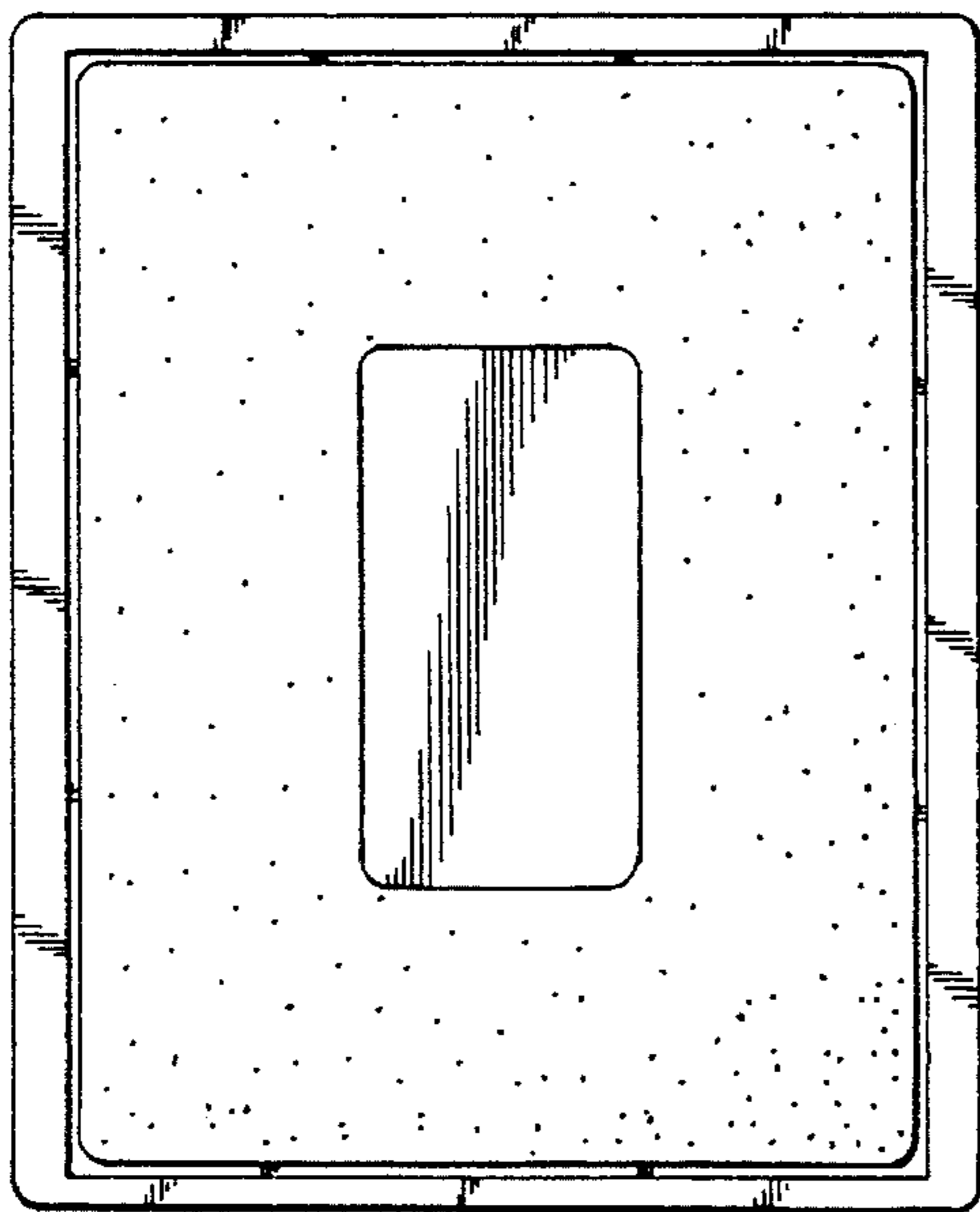


Fig. 6

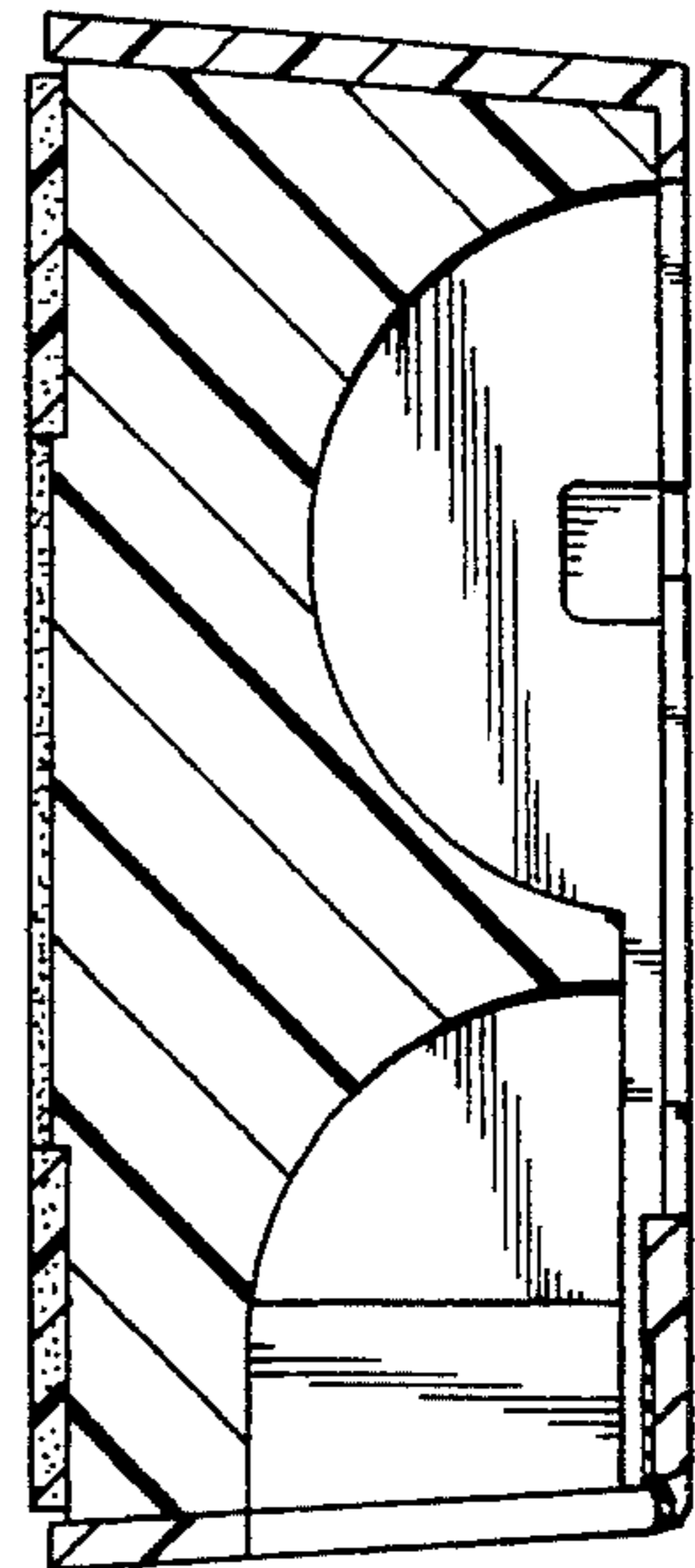


Fig. 7