



US00D365368S

United States Patent [19] Stoddard

[11] Patent Number: **Des. 365,368**

[45] Date of Patent: ****Dec. 19, 1995**

[54] **CLIPBOARD**

[76] Inventor: **Glenn G. Stoddard**, 156 E. Vine,
Tooele, Utah 84074

[**] Term: **14 Years**

[21] Appl. No.: **144**

[22] Filed: **Oct. 6, 1992**

[52] U.S. Cl. **D19/88; D19/90; D19/91**

[58] Field of Search **D19/65, 75, 78,
D19/86, 88, 90, 91, 99, 100; 281/42, 45;
248/441.1, 442.2, 447, 450, 451, 452; 24/67.3-67.11**

[56] **References Cited**

U.S. PATENT DOCUMENTS

D. 298,955	12/1988	Zavar	D19/88
D. 334,213	3/1993	Evenson	D19/90 X
396,505	1/1889	Nolan	D19/88 X
704,119	7/1902	Ryden	D19/88 X
2,156,944	5/1939	Hermann	281/42
2,164,496	7/1939	Brown	D19/88 X
3,167,329	1/1965	Ernst	24/67.3
3,419,012	12/1968	Stoddard	24/67.11
4,375,296	3/1983	Chang	281/45
4,501,438	2/1985	McKee	248/452 X
4,948,172	8/1990	Chang	281/45

Primary Examiner—Martie Thompson
Attorney, Agent, or Firm—Trask, Britt & Rossa

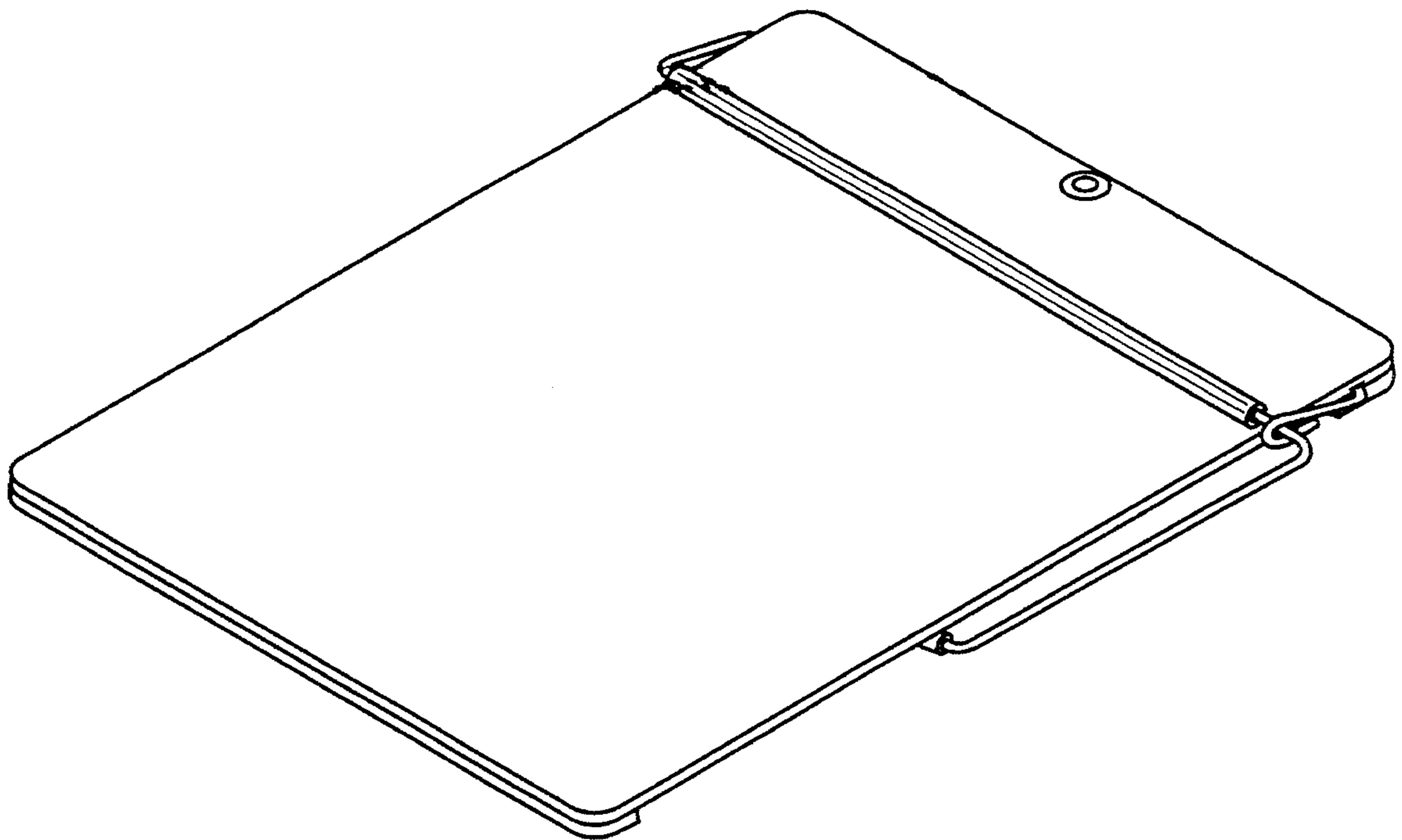
[57] **CLAIM**

The ornamental design for a clipboard, as shown and described.

DESCRIPTION

FIG. 1 is a right front perspective view of a clipboard showing my new design;
 FIG. 2 is a front elevational view;
 FIG. 3 is a left side elevational view;
 FIG. 4 is a right side elevational view;
 FIG. 5 is a bottom plan view;
 FIG. 6 is a top plan view;
 FIG. 7 is a rear elevational view;
 FIG. 8 is a right front perspective view of a second embodiment of my new design;
 FIG. 9 is a front elevational view of FIG. 8;
 FIG. 10 is a left side elevational view of FIG. 8;
 FIG. 11 is a right side elevational view of FIG. 8;
 FIG. 12 is a bottom plan view of FIG. 8;
 FIG. 13 is a top plan view of FIG. 8; and,
 FIG. 14 is a rear elevational view of FIG. 8.

1 Claim, 6 Drawing Sheets



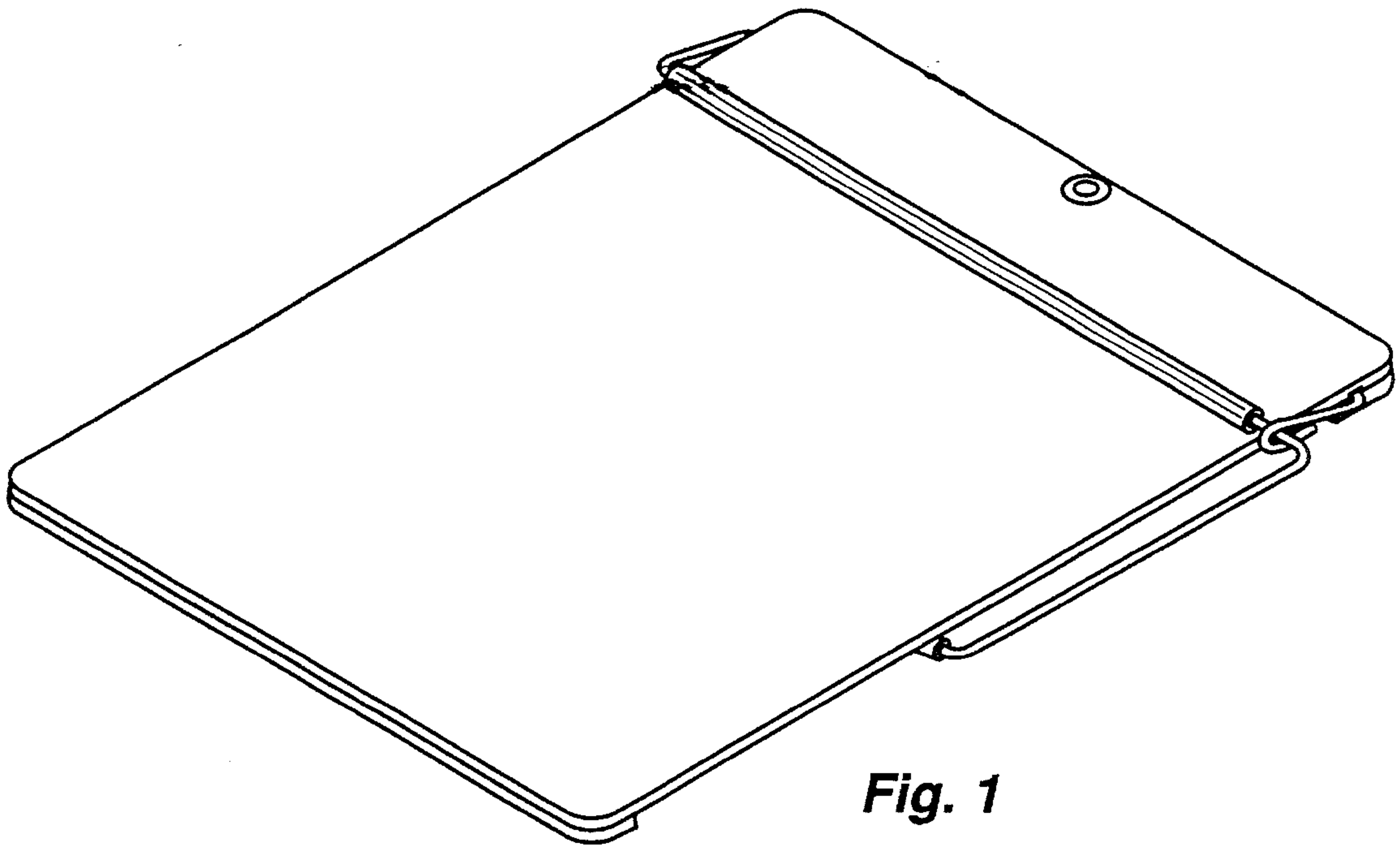


Fig. 1

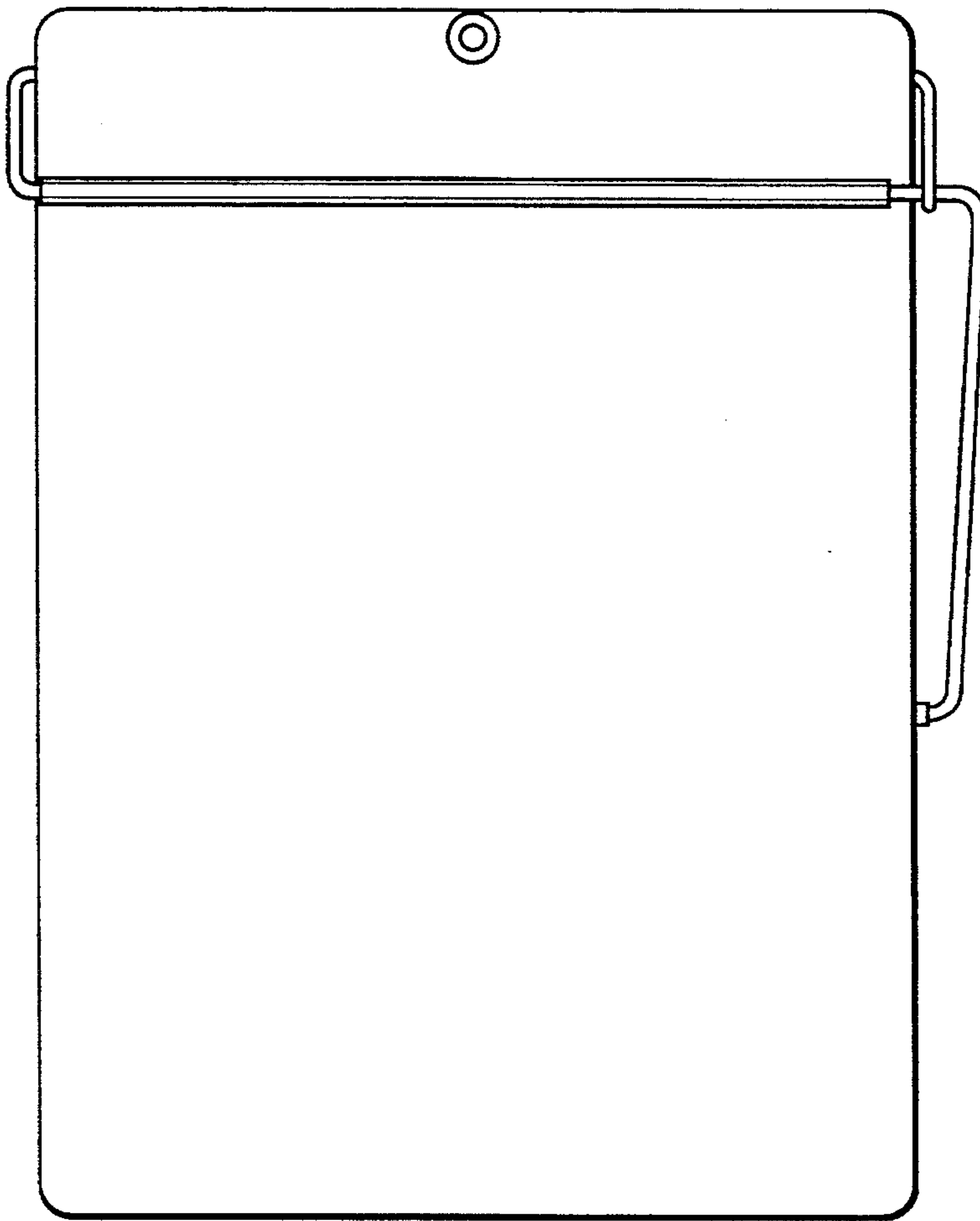


Fig. 2



Fig. 3

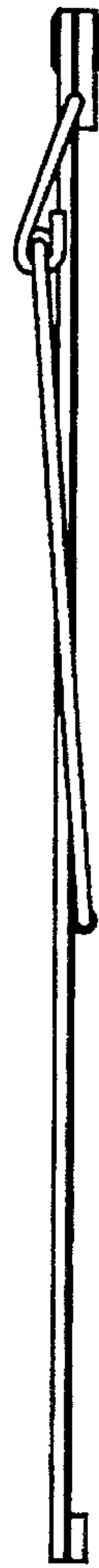


Fig. 4

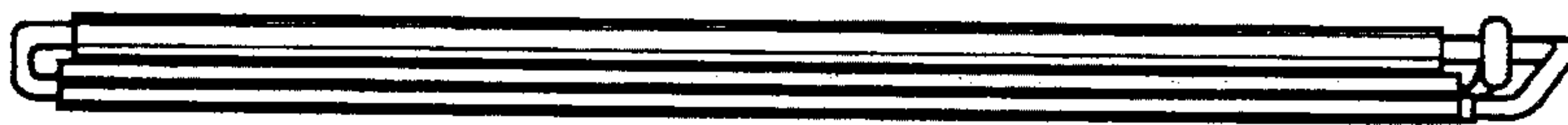


Fig. 5



Fig. 6

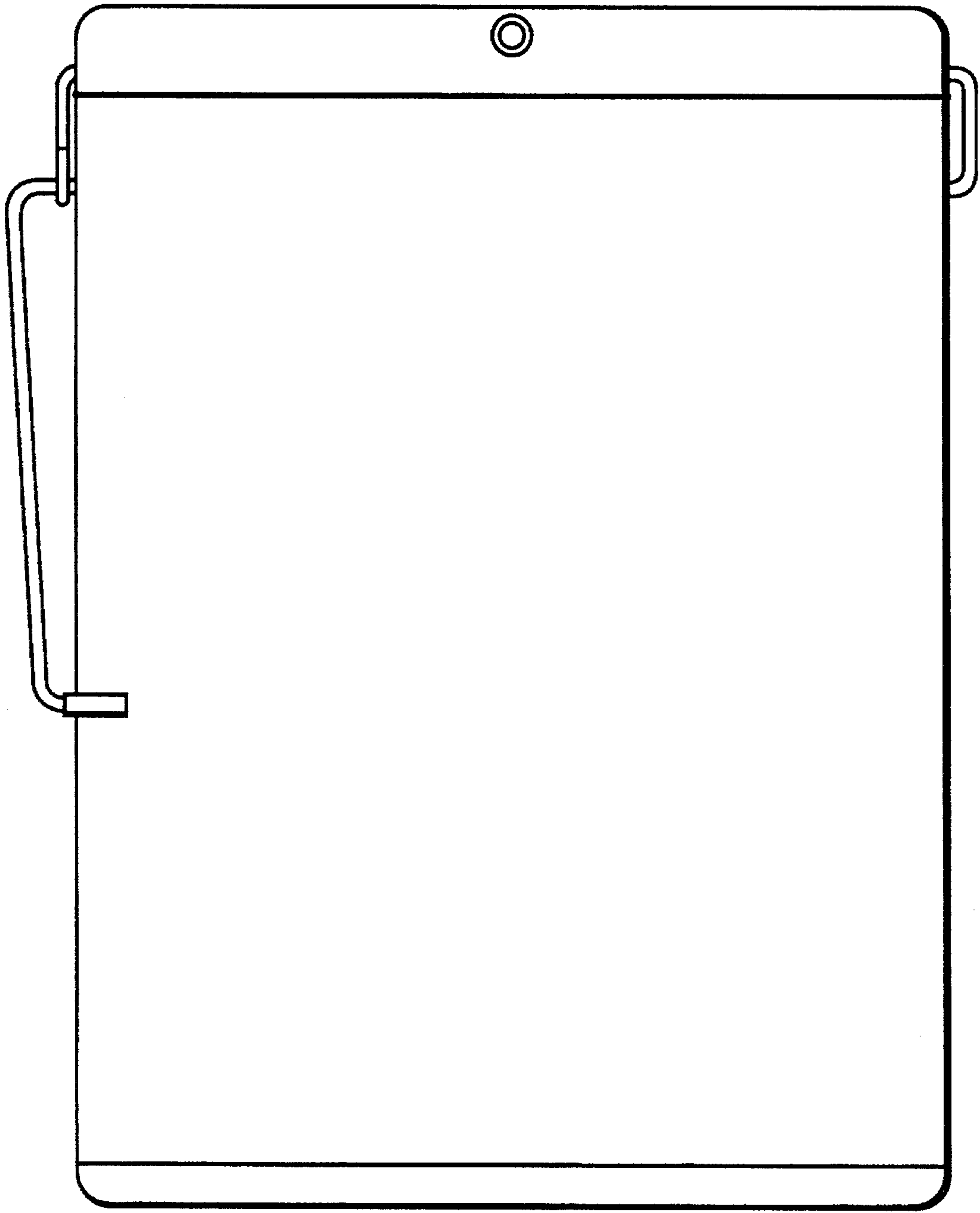


Fig. 7

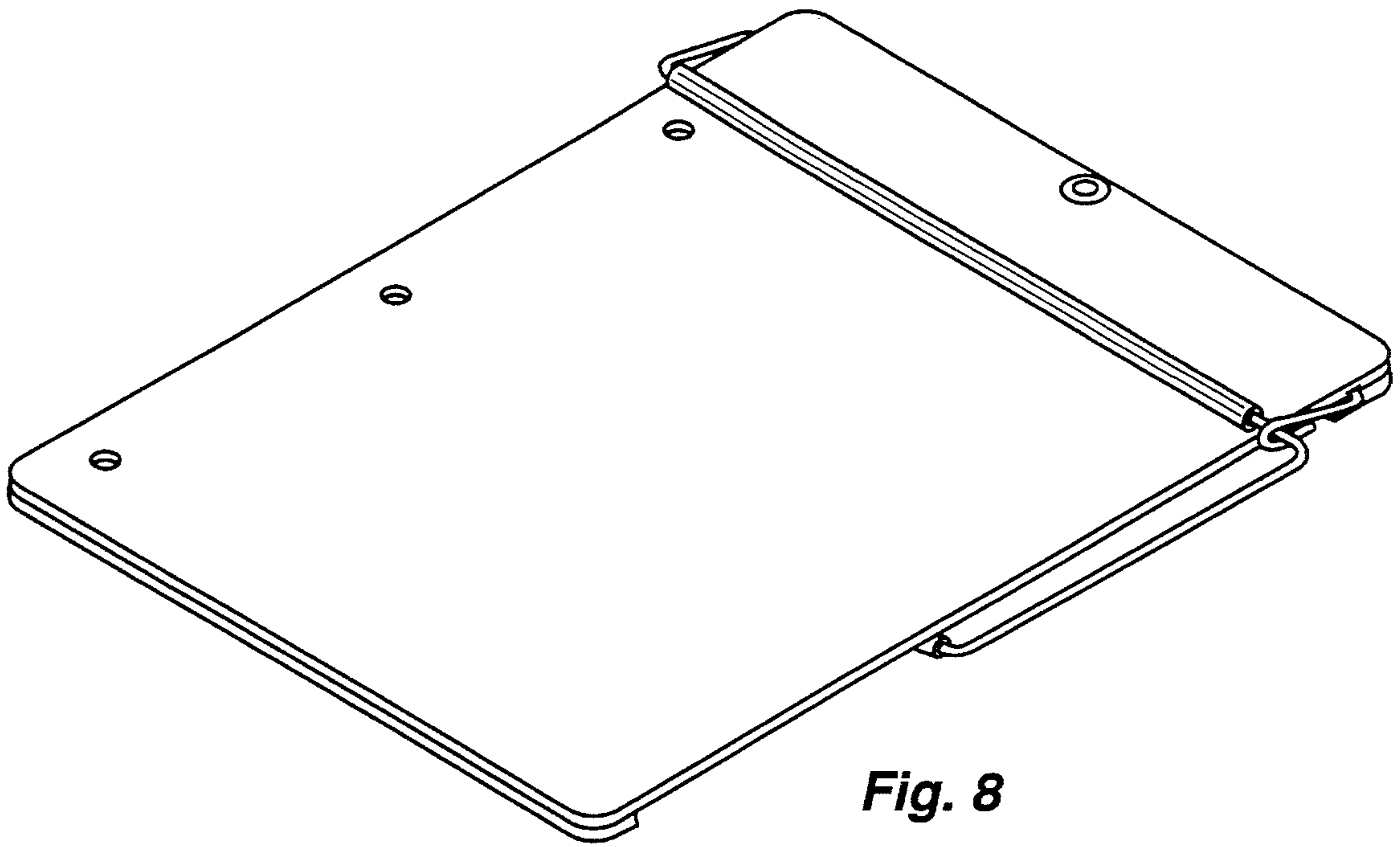


Fig. 8

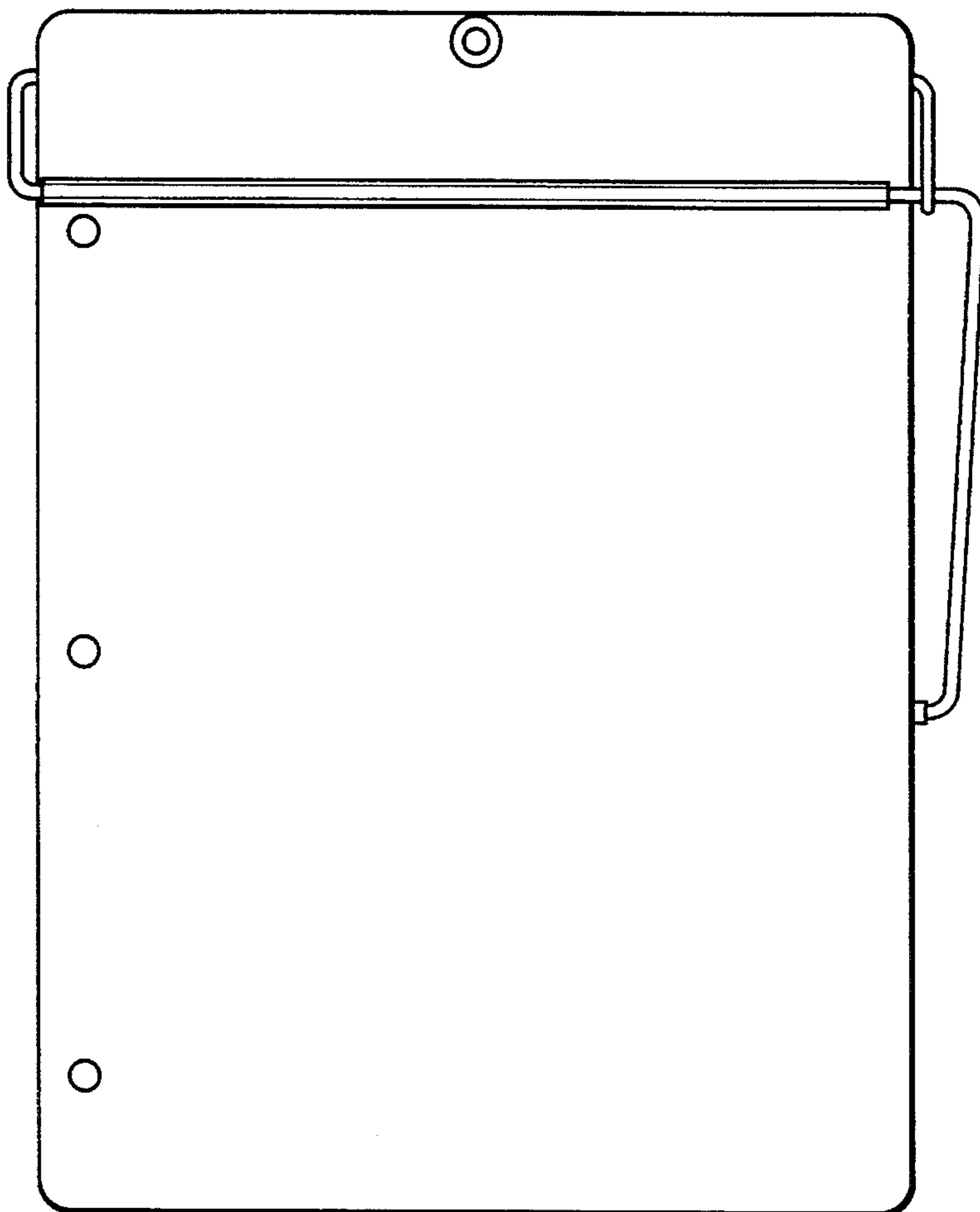


Fig. 9



Fig. 10



Fig. 11



Fig. 12



Fig. 13

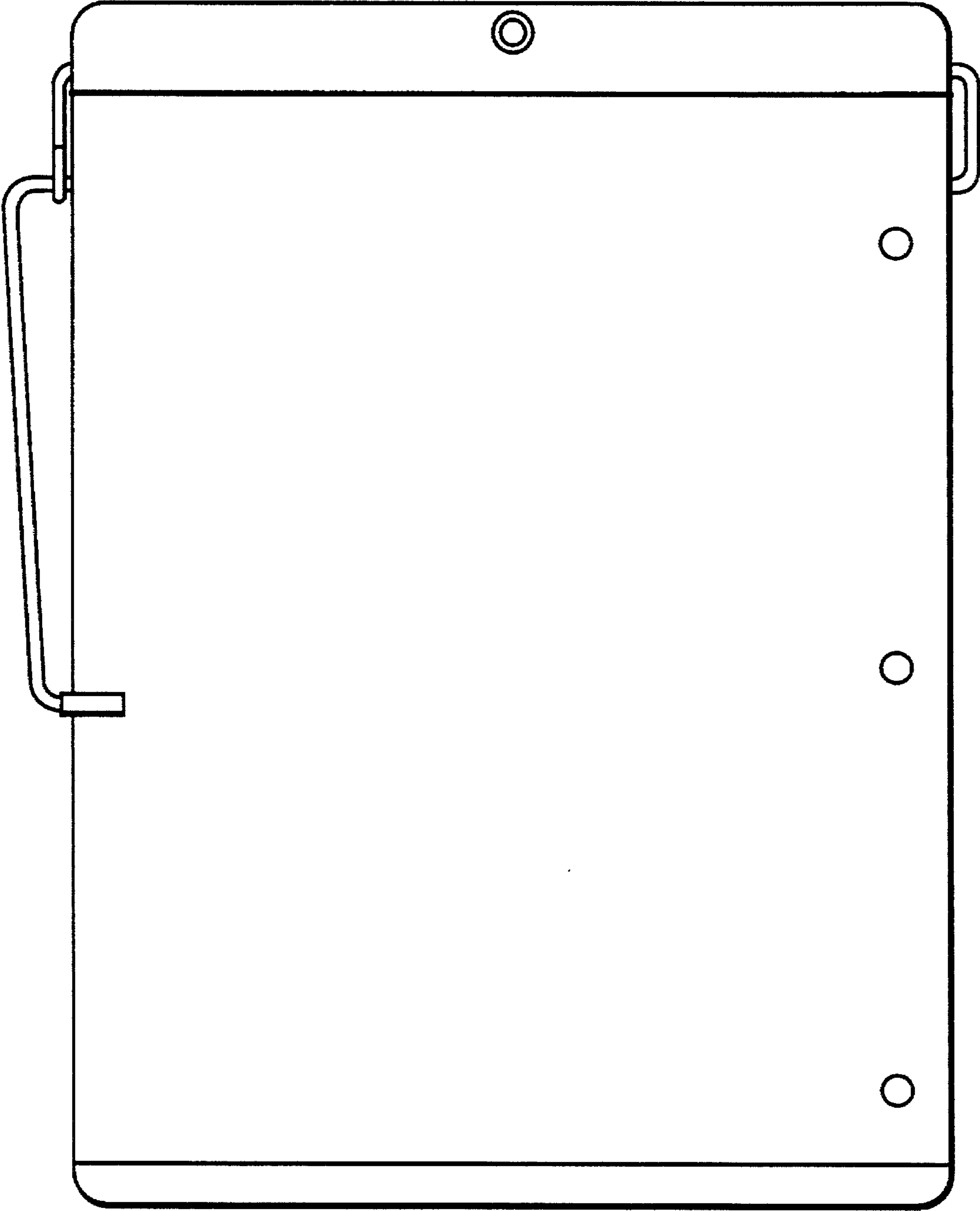


Fig. 14