



US00D365365S

United States Patent [19]
Salisbury

[11] **Patent Number: Des. 365,365**
[45] **Date of Patent: **Dec. 19, 1995**

[54] **BINDING DEVICE**
[75] Inventor: **Thomas Salisbury**, Wayland, Mass.
[73] Assignee: **Radix Limited**, Wayland, Mass.
[**] Term: **14 Years**
[21] Appl. No.: **427**
[22] Filed: **Oct. 14, 1992**
[52] **U.S. Cl.** **D19/65; D19/86**
[58] **Field of Search** **D19/65, 75, 78,**
D19/86, 88, 90, 91, 99, 100; D8/395; 24/67 R,
67 RP, 67 CF; 281/42

2,460,650 2/1949 Nemeth 24/67 CF
2,543,144 2/1951 Wold 24/67 CF
4,110,872 9/1978 Gould 24/67.11
4,525,899 7/1985 Carroll 24/67 R X
4,563,496 1/1986 Kettlestrings 281/42 X

FOREIGN PATENT DOCUMENTS

0486358 5/1992 European Pat. Off. 24/67 R
0005403 of 1896 United Kingdom 24/67 CF

Primary Examiner—Martie Thompson
Attorney, Agent, or Firm—Fish & Richardson

[57] **CLAIM**

The ornamental design for a binding device, as shown and described.

DESCRIPTION

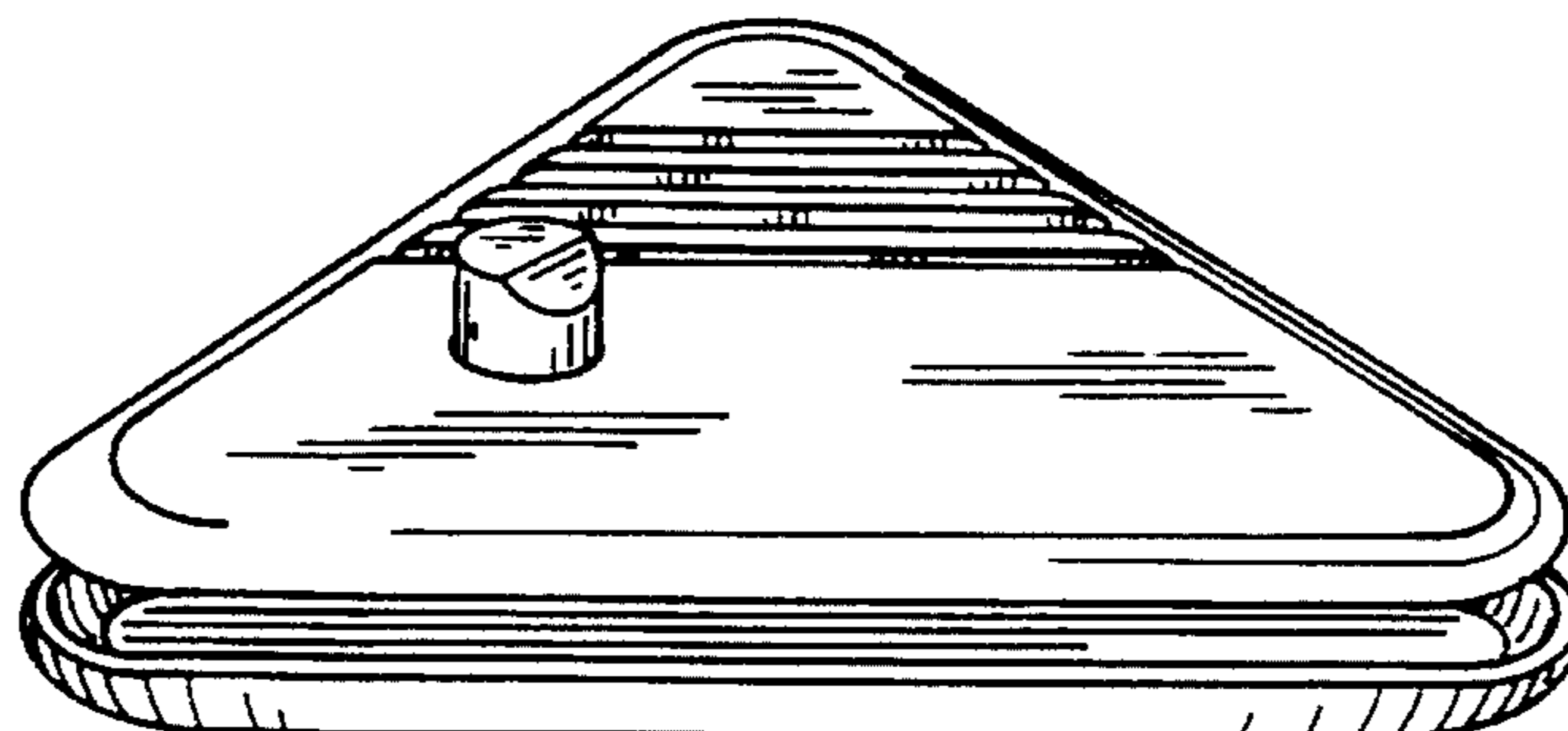
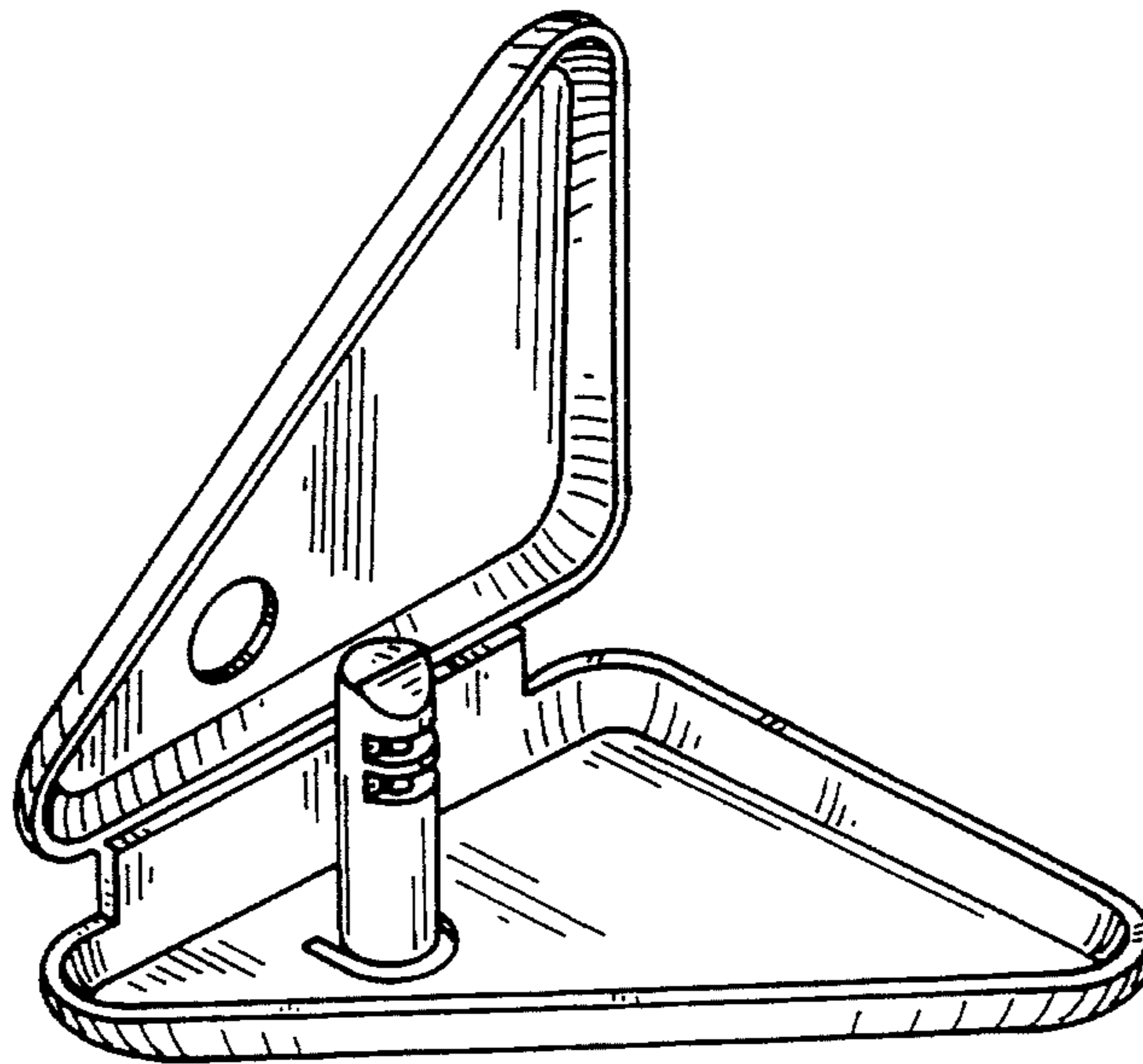
FIG. 1 is a perspective view of the binding device opened; FIG. 2 is a perspective view of the closed binding device; FIG. 3 is a bottom view of the closed binding device; FIG. 4 is a top view of the closed binding device; FIG. 5 is a front view of the closed binding device; FIG. 6 is a rear view of the closed binding device; and, FIG. 7 is a side view of the closed binding device.

1 Claim, 2 Drawing Sheets

[56] **References Cited**

U.S. PATENT DOCUMENTS

D. 116,969 10/1939 Vogel D19/65
D. 201,111 5/1965 Fleming D19/88 X
D. 229,033 11/1973 Cooper D8/395
D. 312,660 12/1990 Bowles, Jr. D19/65 X
D. 315,864 4/1991 Embree et al. D8/395
D. 334,411 3/1993 Kuroda D19/86 X
616,385 12/1898 Winget 24/67 R
837,449 12/1906 Cowing 24/67 R
966,287 8/1910 DeYbarrondo 24/67 R X



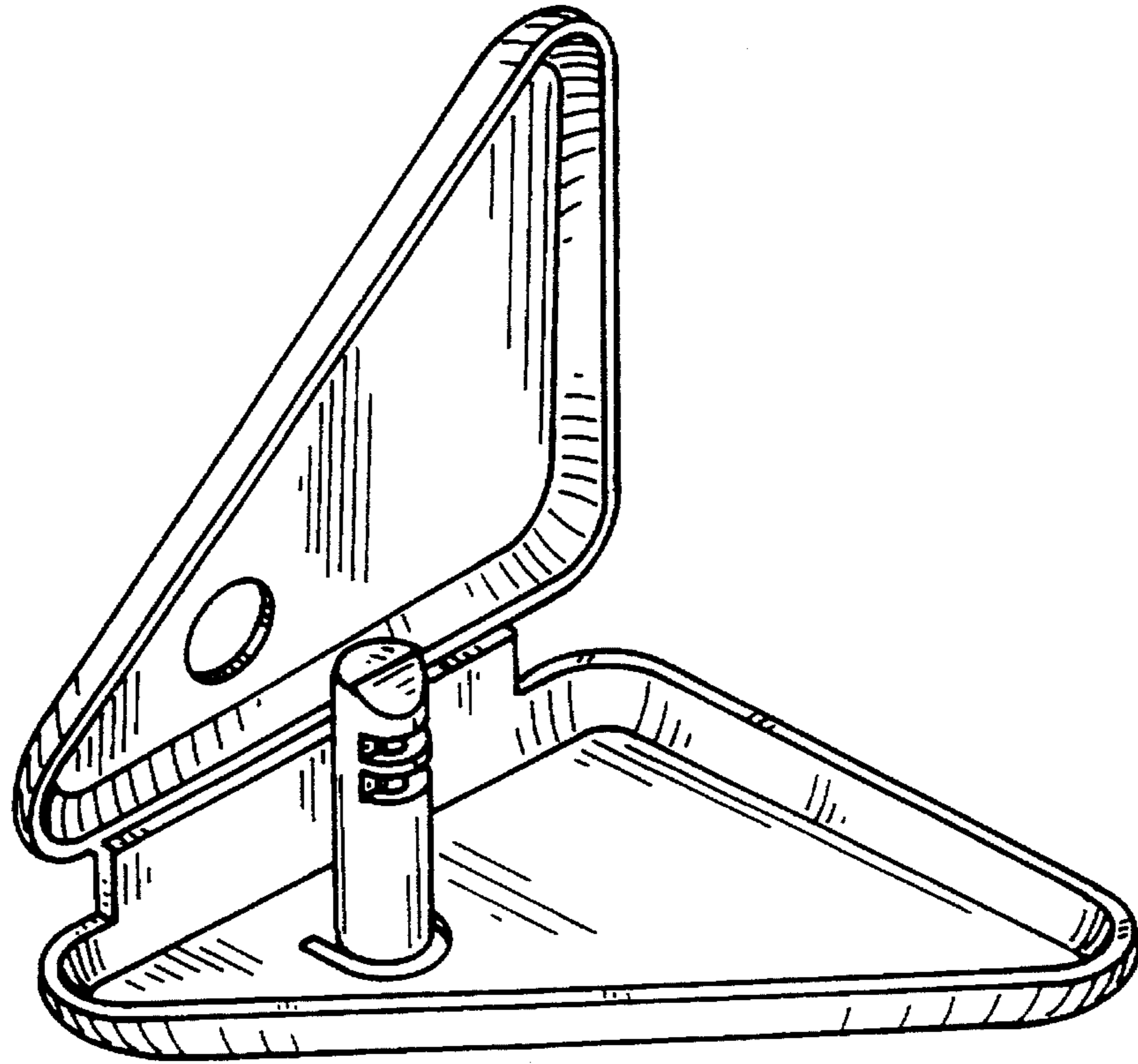


FIG. 1

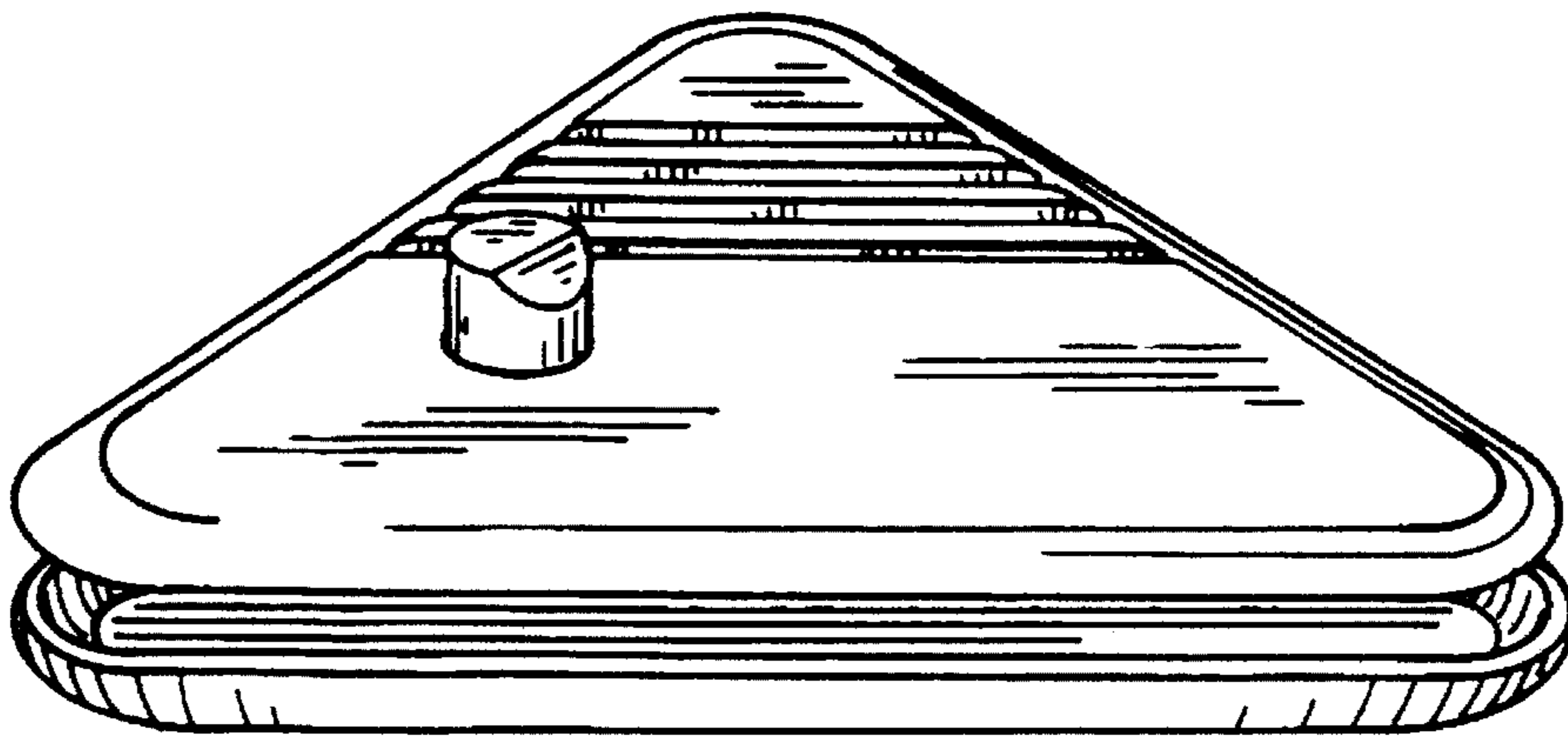


FIG. 2

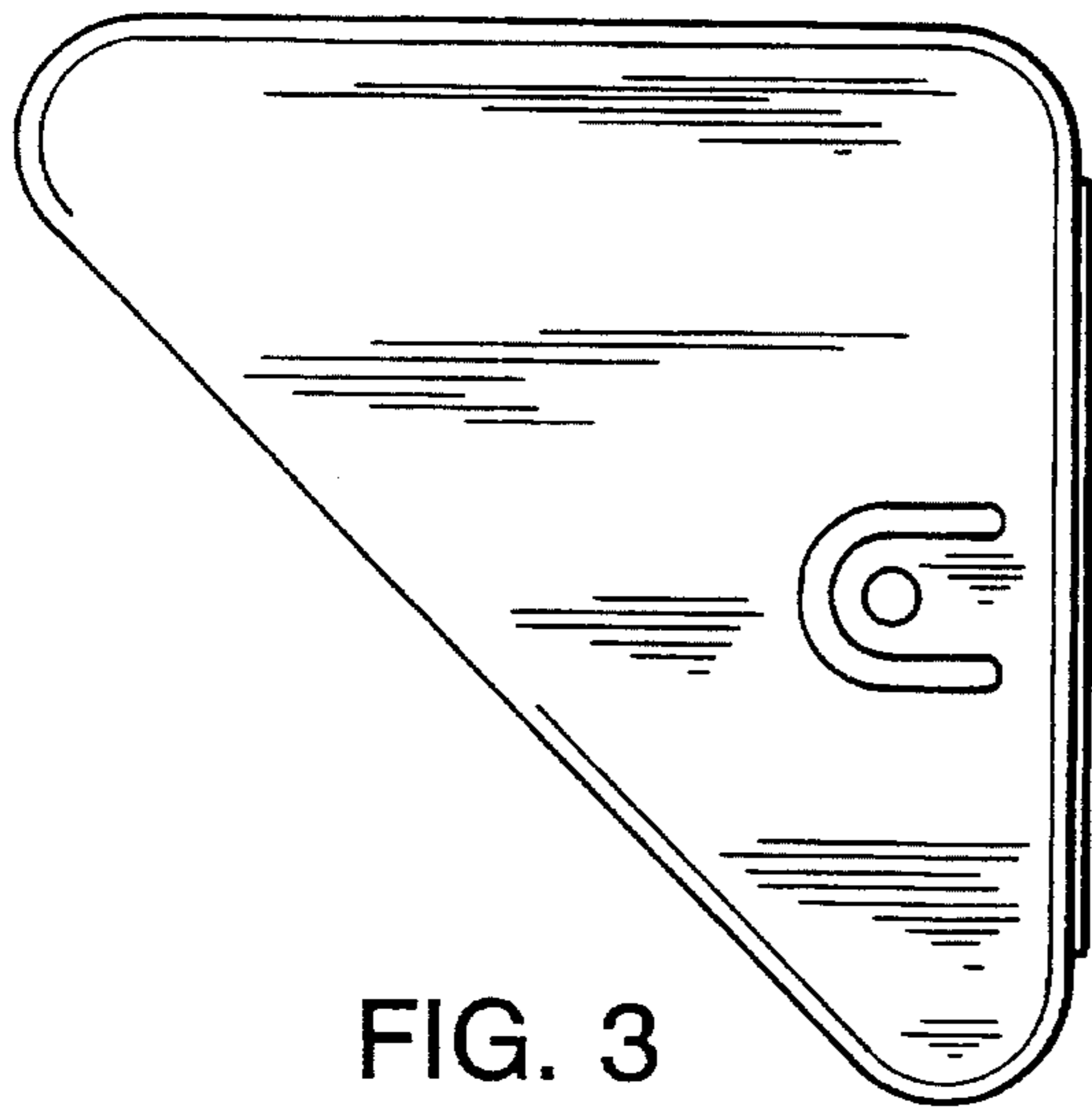


FIG. 3

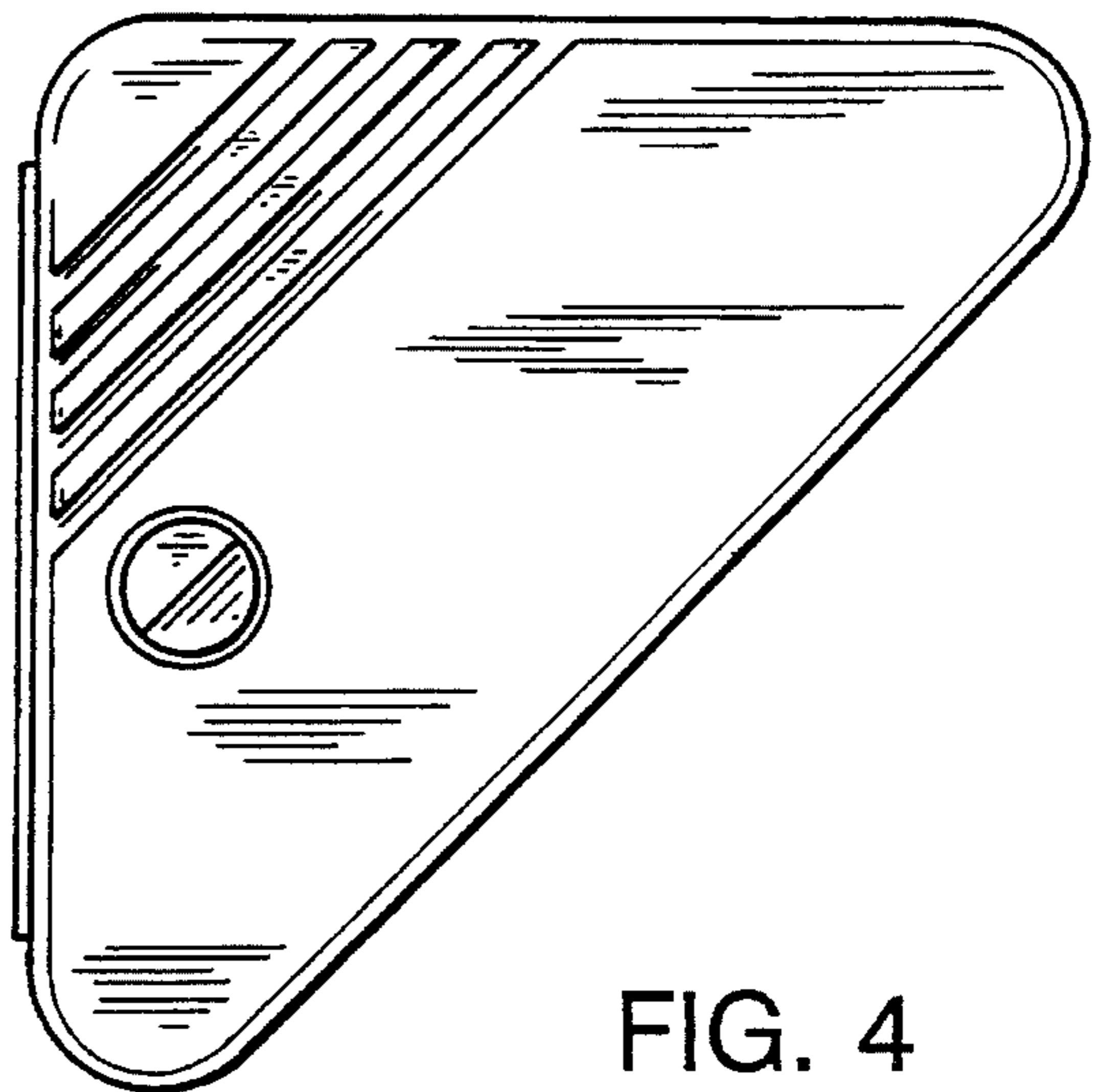


FIG. 4

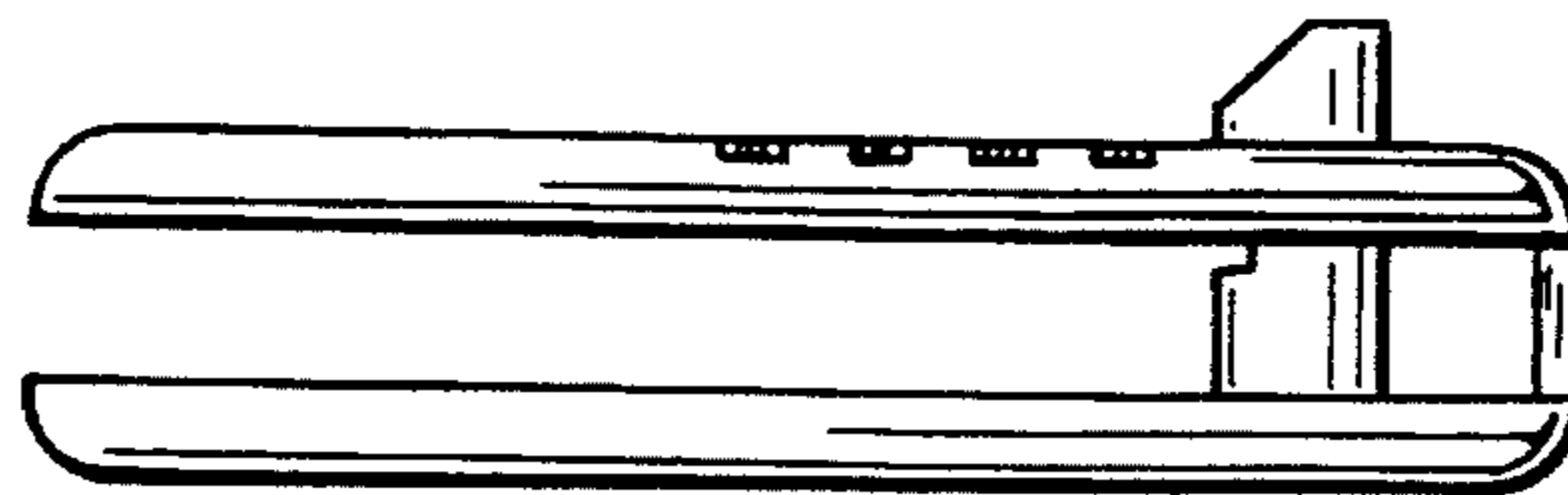


FIG. 5

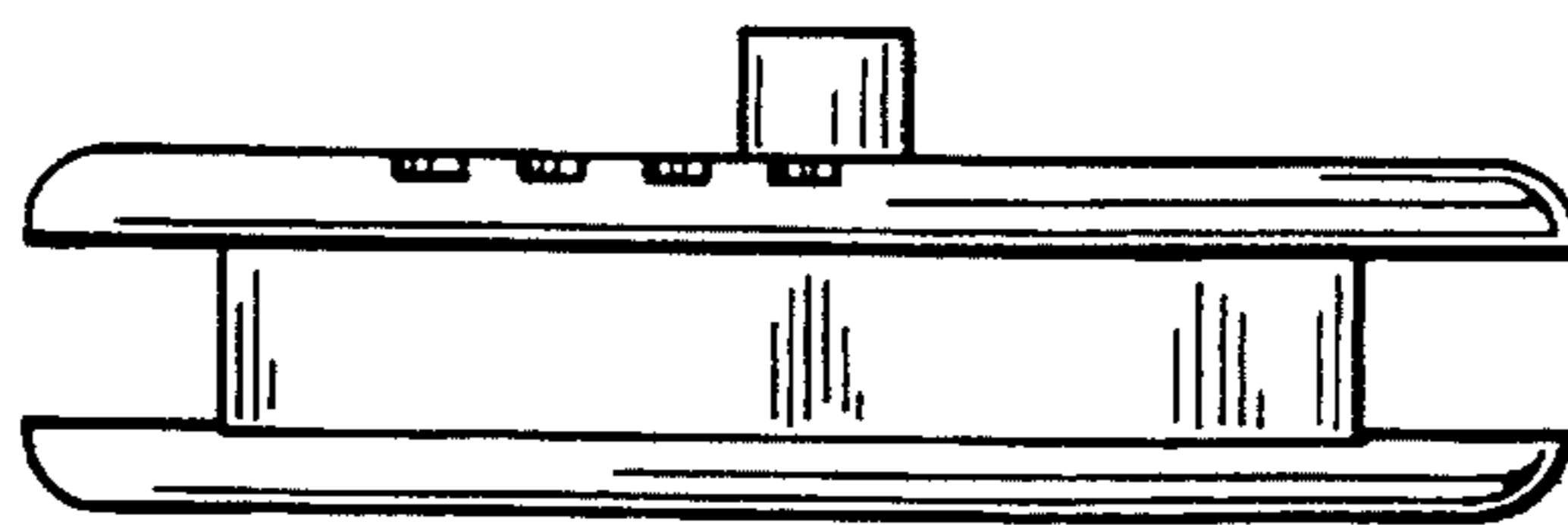


FIG. 6

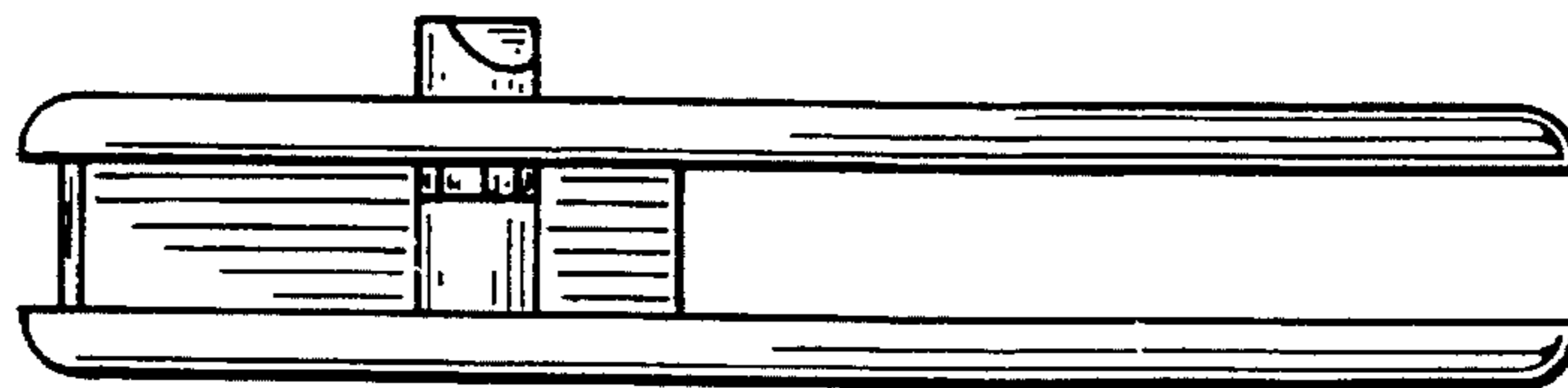


FIG. 7