



US00D365361S

United States Patent [19]
Smith et al.

[11] **Patent Number: Des. 365,361**
[45] **Date of Patent: **Dec. 19, 1995**

[54] **MOLDED ALBUM**

4,815,766 3/1989 Buchanan 281/15.1 X

[76] Inventors: **Richard F. Smith; Jeffrey M. Smith,**
both of 3451 Sagamore Dr., Huntington
Beach, Calif. 92645

Primary Examiner—A. Hugo Word
Assistant Examiner—Pamela Burgess
Attorney, Agent, or Firm—Edgar W. Averill, Jr.

[**] Term: **14 Years**

[57] **CLAIM**

[21] Appl. No.: **16,763**

The ornamental design for a molded album, as shown and described.

[22] Filed: **Dec. 27, 1993**

DESCRIPTION

[52] U.S. Cl. **D19/26**

[58] Field of Search D19/26-31; 281/29,
281/15.1, 37, 22; 283/63.1; 462/55

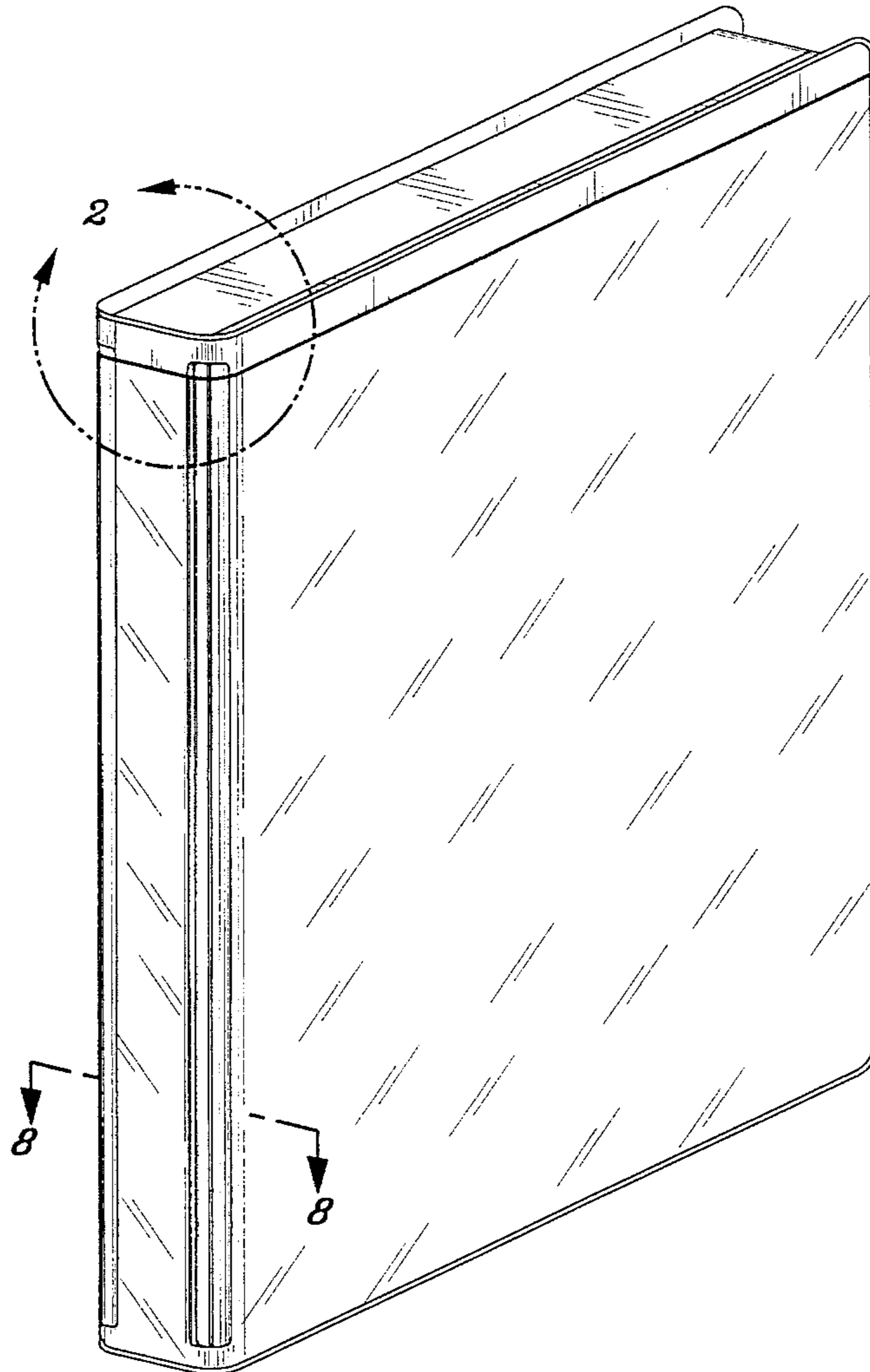
FIG. 1 is a perspective view showing the front, spine and top of the molded album showing my new design;
FIG. 2 is an enlarged perspective view of the upper lefthand corner thereof;
FIG. 3 is a front view thereof, the undisclosed rear being a mirror image;
FIG. 4 is a top view thereof;
FIG. 5 is a right side view thereof;
FIG. 6 is a bottom view thereof;
FIG. 7 is a left side view thereof; and,
FIG. 8 is a cross-sectional view taken along line 8—8 of FIG. 1.

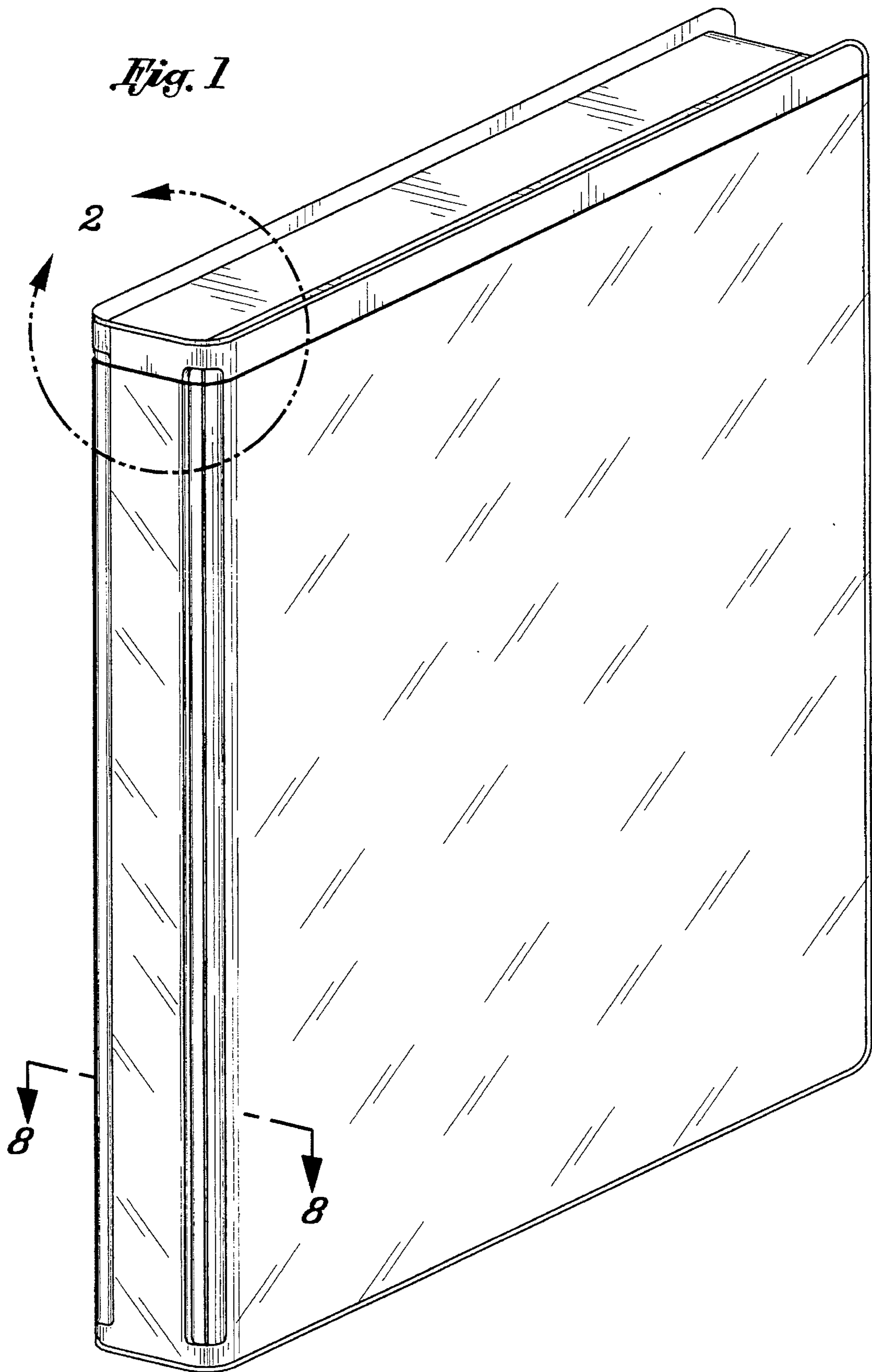
[56] **References Cited**

U.S. PATENT DOCUMENTS

D. 33,908	1/1901	Miller	D19/26
D. 319,660	9/1991	Moor	281/15.1
467,788	1/1892	Bowman	281/15.1
529,614	11/1894	Frith	281/29
1,890,139	12/1932	Auburn	281/29
2,244,175	6/1941	Schade	281/29
3,145,033	8/1964	Caddoo	281/29
4,667,983	5/1987	Spolander	281/15.1

1 Claim, 4 Drawing Sheets





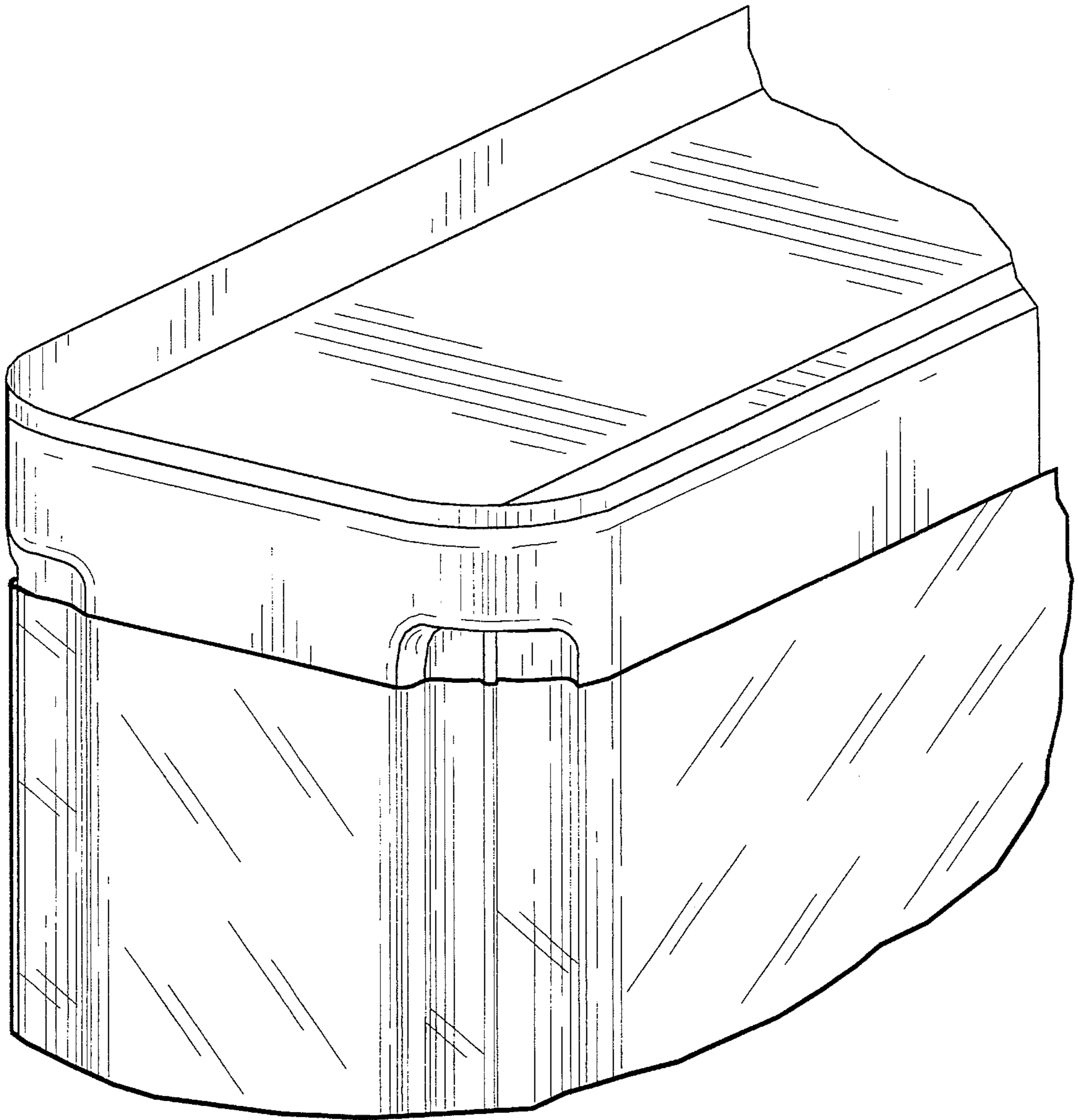


Fig. 2

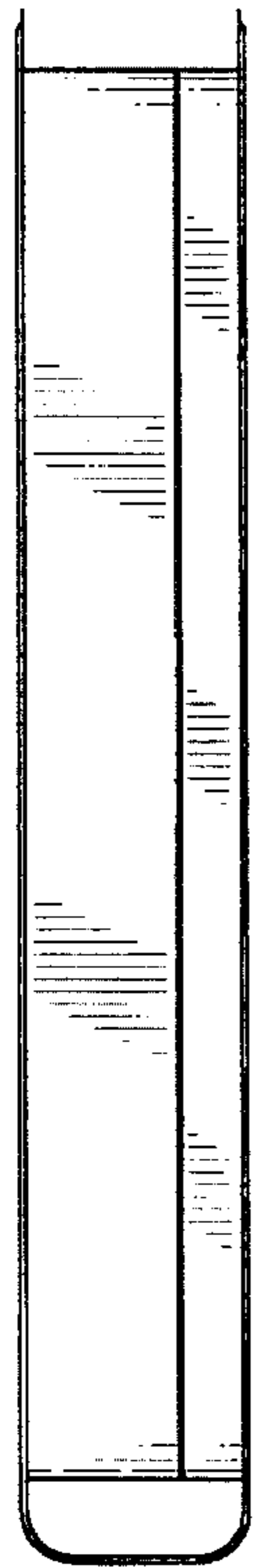


Fig. 4

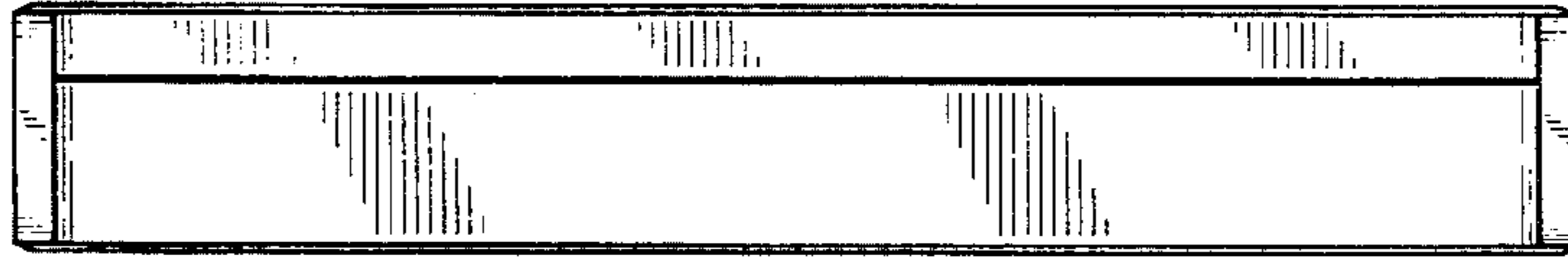


Fig. 5

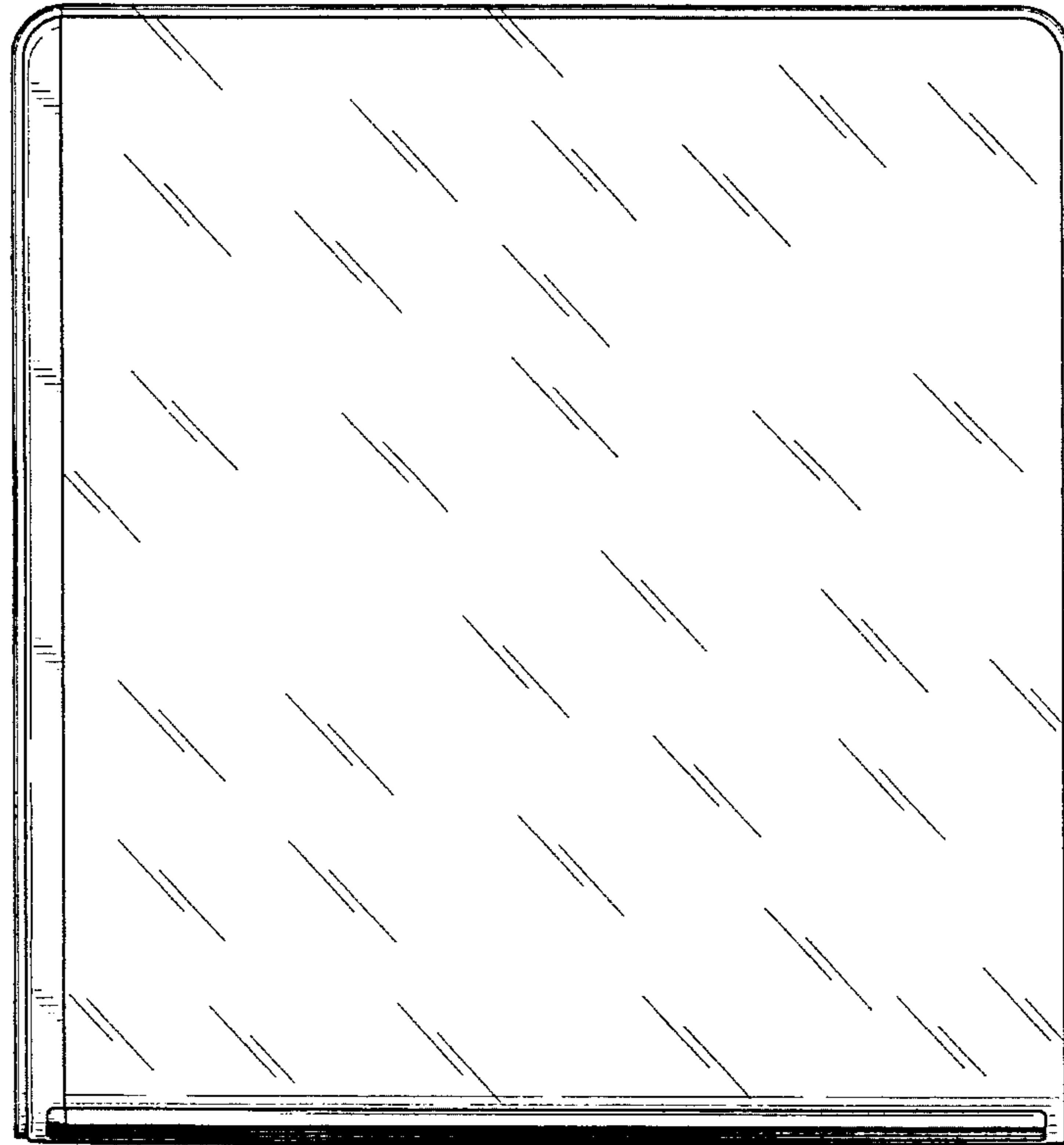


Fig. 3

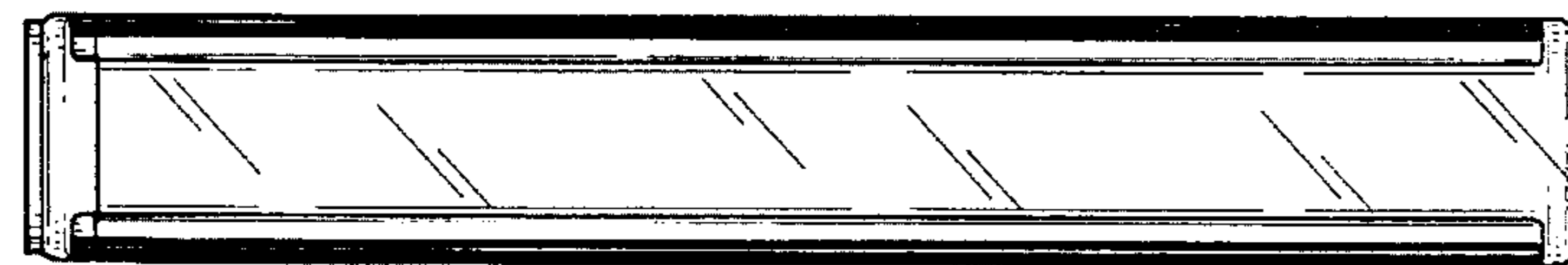


Fig. 7

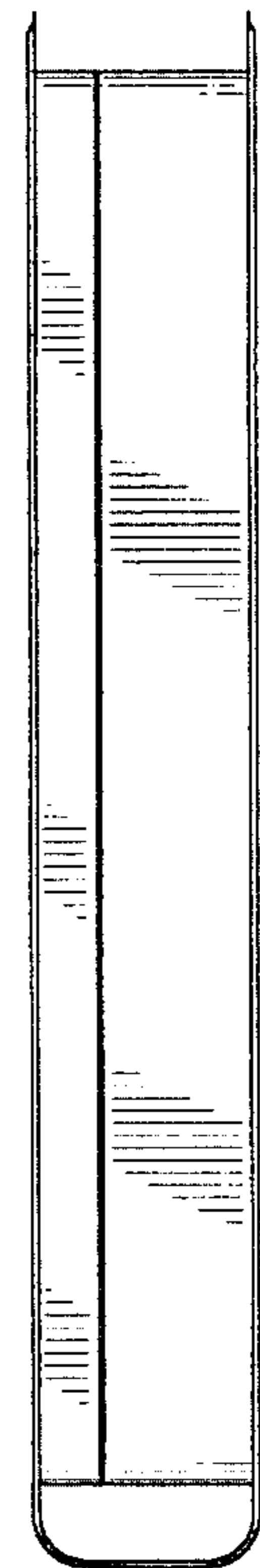


Fig. 6

Fig. 8

