



US00D365358S

# United States Patent [19] Klein

[11] Patent Number: **Des. 365,358**

[45] Date of Patent: **\*\*Dec. 19, 1995**

[54] **HOLDER FOR DRUMMER'S ACCESSORIES**

[76] Inventor: **Henry J. Klein**, 3321 New Hope Rd.,  
Raleigh, N.C. 27604

[\*\*] Term: **14 Years**

[21] Appl. No.: **15,505**

[22] Filed: **Nov. 18, 1993**

[52] U.S. Cl. .... **D17/22**

[58] Field of Search ..... D6/419, 462; D17/22,  
D17/99; 84/421, 453

[56] **References Cited**

**U.S. PATENT DOCUMENTS**

D. 254,140	2/1980	Kuipers .....	D17/22
D. 295,471	5/1988	Lindskog .....	D6/462
D. 342,844	1/1994	Rittenberg .....	D6/462
4,453,446	6/1984	Hoshino .....	84/421
4,479,414	10/1984	Willis .....	84/421

**OTHER PUBLICATIONS**

Music Trades, Dec. 1922 p. 74 (Stick Depot).

*Primary Examiner*—Ted Shooman

*Assistant Examiner*—Adir Aronovich

*Attorney, Agent, or Firm*—John G. Mills and Associates

[57] **CLAIM**

The ornamental design for a holder for drummer's accessories, as shown.

**DESCRIPTION**

FIG. 1 is a top and left side perspective view of the holder for drummer's accessories showing my new design;

FIG. 2 is a reduced top and right side perspective view thereof;

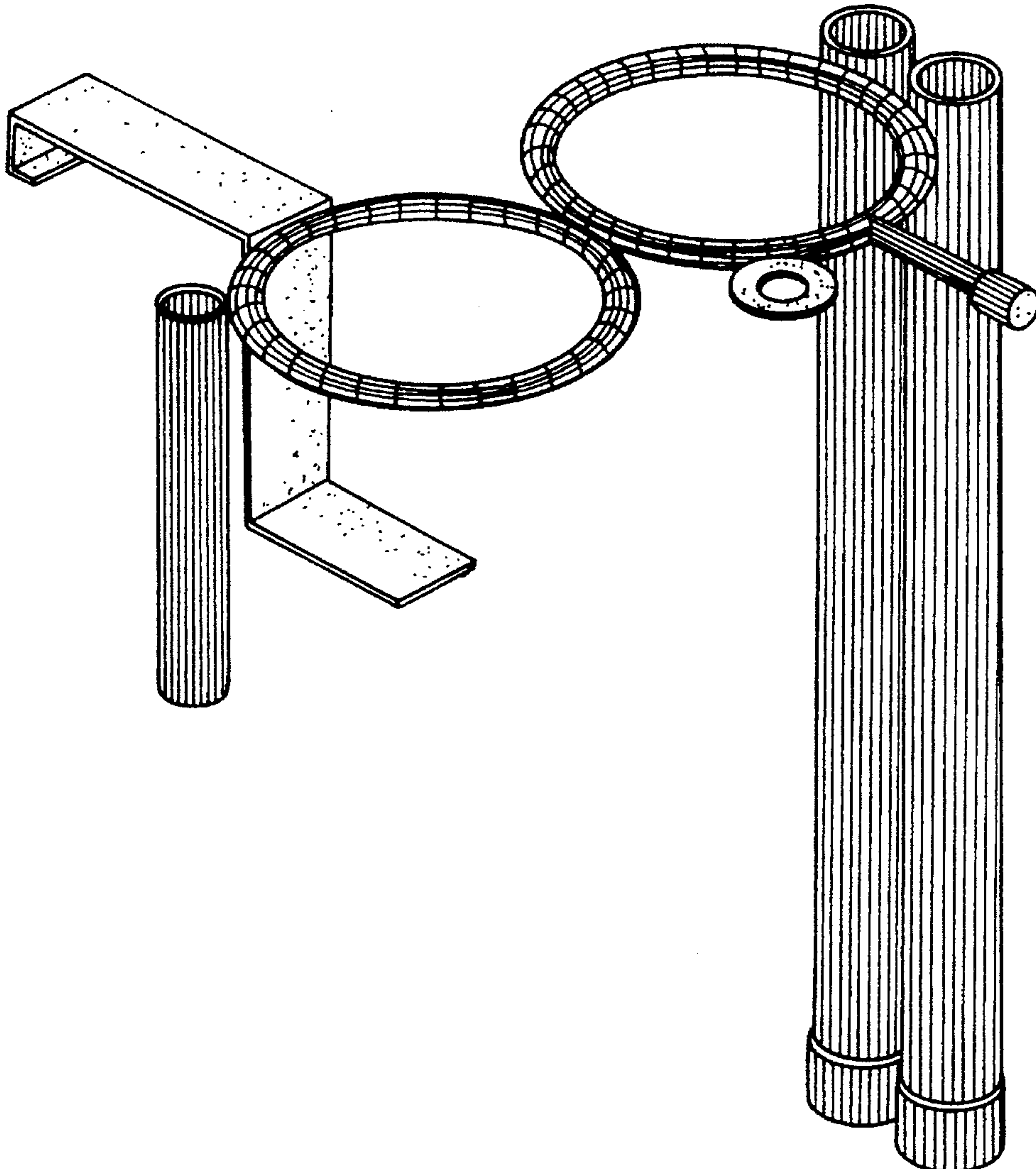
FIG. 3 is a front elevational view thereof;

FIG. 4 is a top plan view thereof;

FIG. 5 is a right side elevational view thereof; and,

FIG. 6 is a bottom plan view thereof.

**1 Claim, 6 Drawing Sheets**



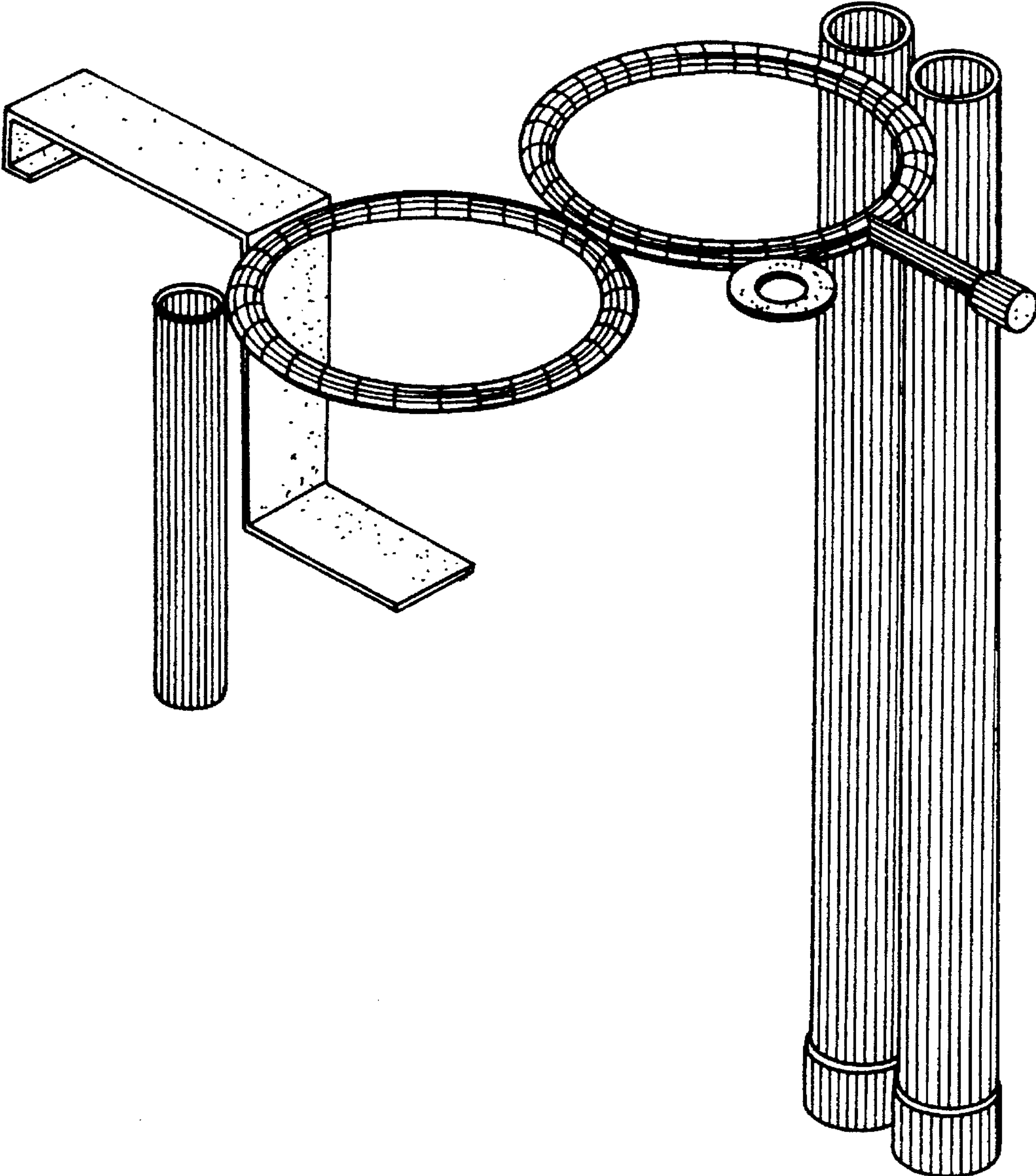


FIG. 1

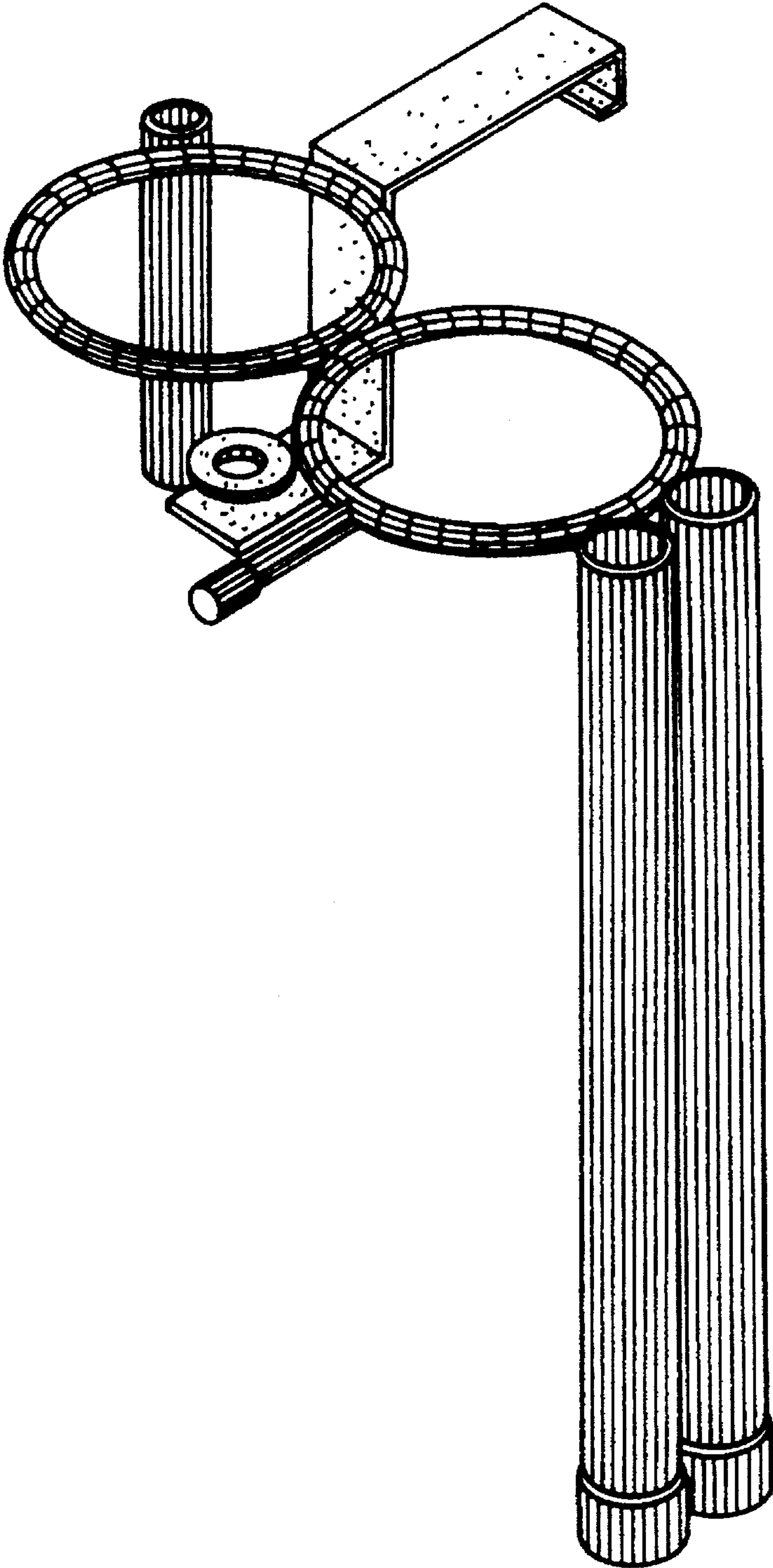


FIG. 2

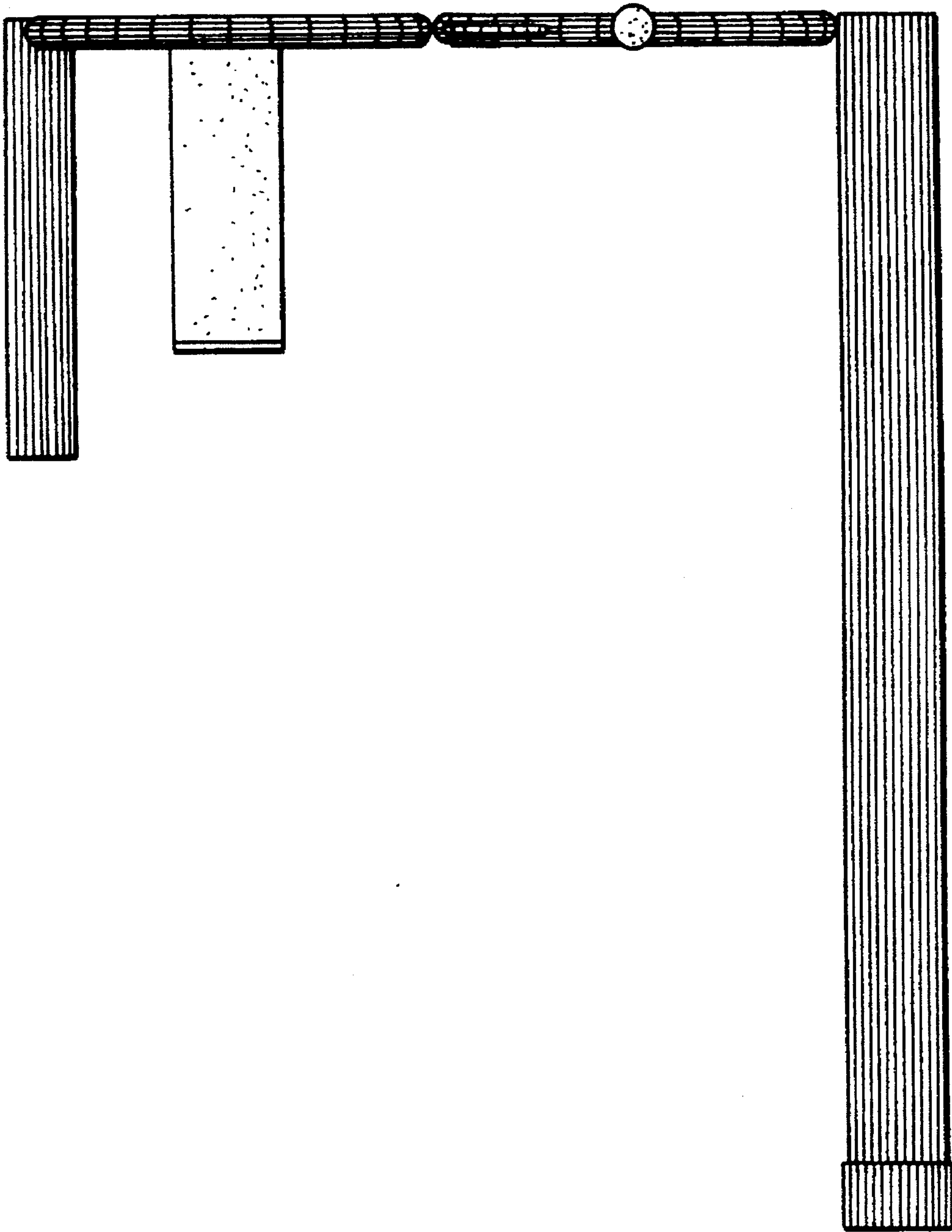


FIG.3



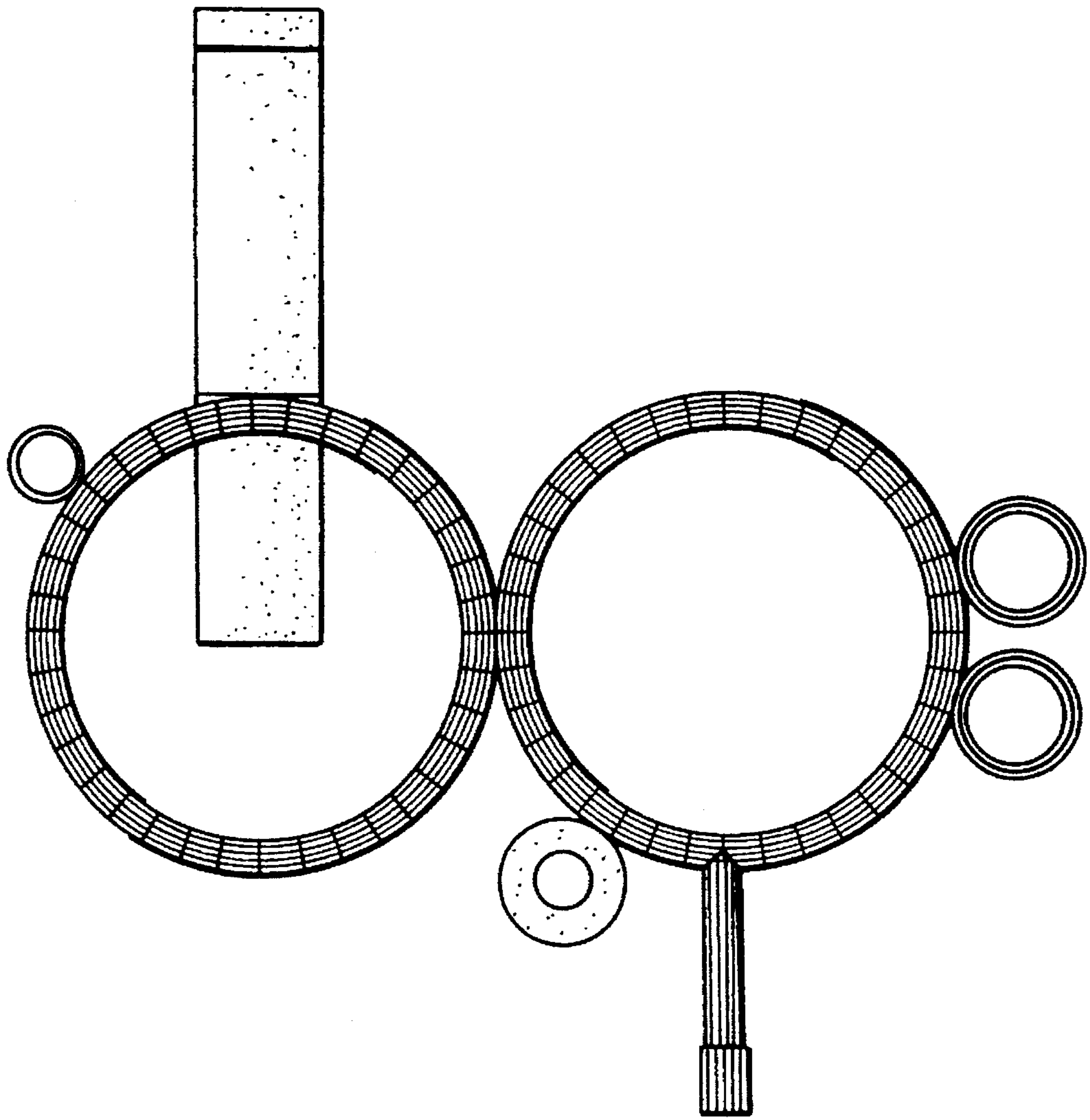


FIG. 4

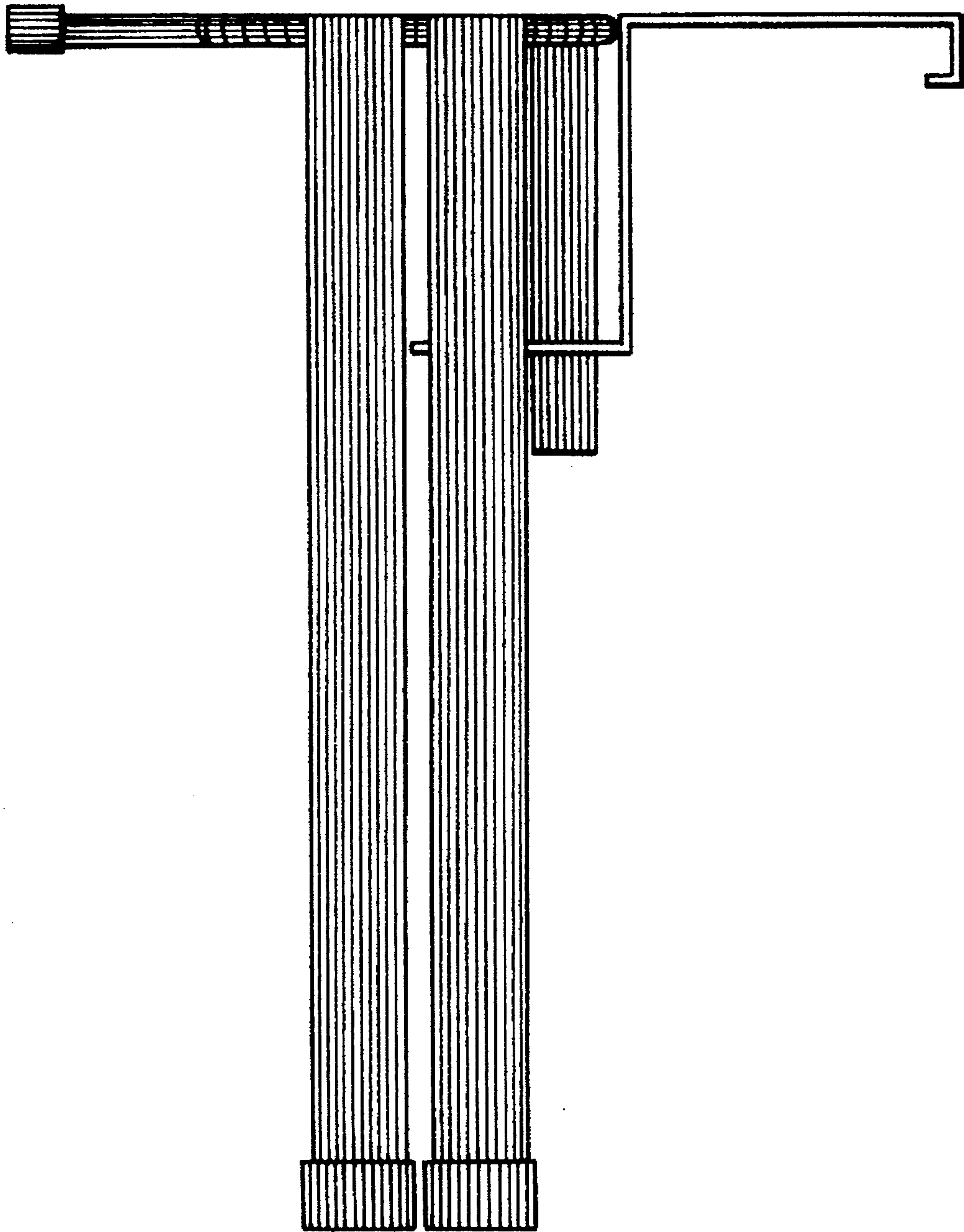


FIG. 5

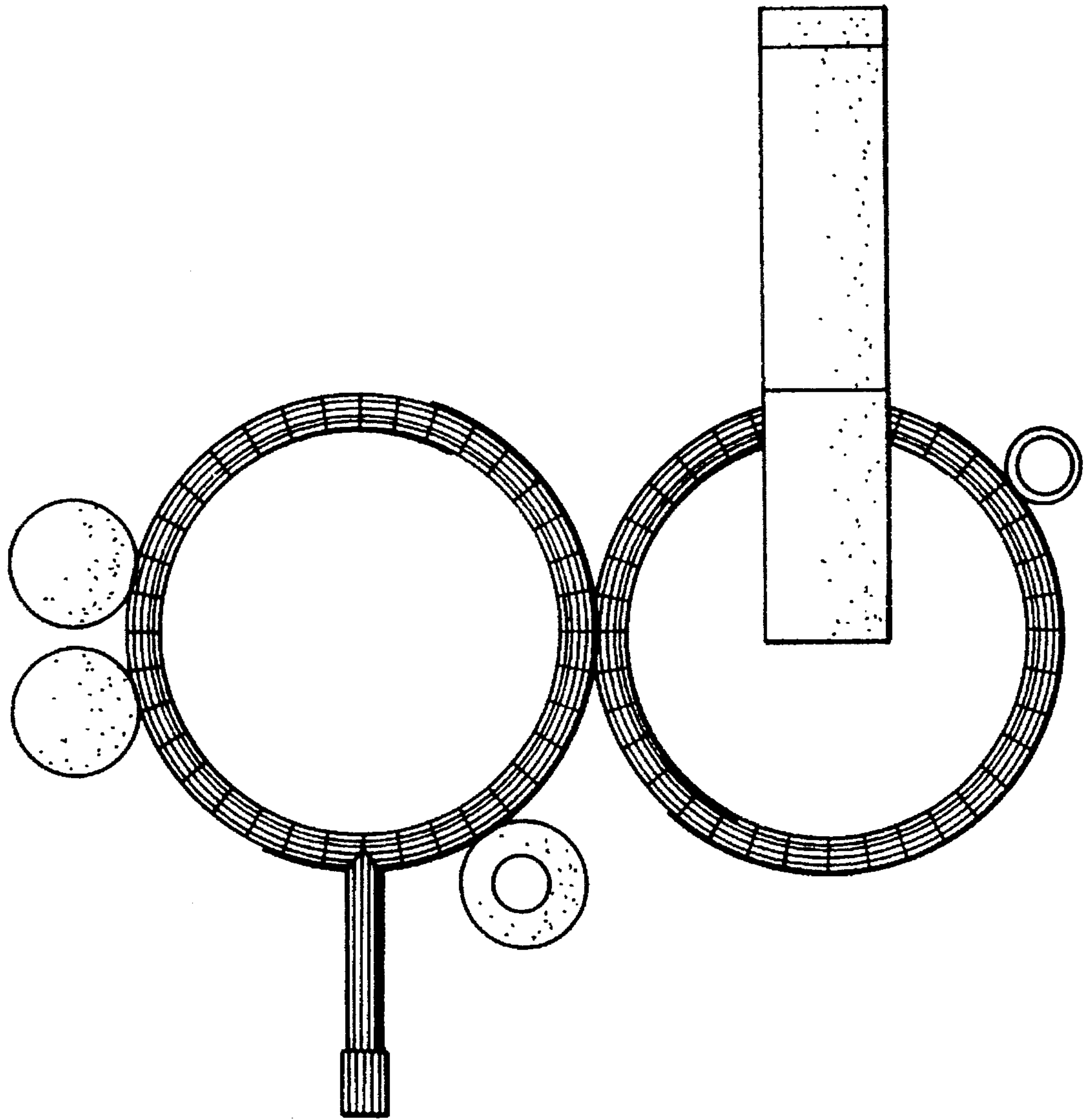


FIG. 6