



US00D365353S

United States Patent [19] Brewer

[11] Patent Number: **Des. 365,353**
[45] Date of Patent: ****Dec. 19, 1995**

[54] CONTAINER FOR AN OIL WELL STUFFING BOX

[75] Inventor: **Jack G. Brewer**, Chickasha, Okla.

[73] Assignee: **Pollution Control, Inc.**, Chickasha, Okla.

[**] Term: **14 Years**

[21] Appl. No.: **30,616**

[22] Filed: **Nov. 3, 1994**

[52] U.S. Cl. **D15/199**

[58] Field of Search D15/150-152,
D15/199; D23/200, 499; 73/40; 166/77.5,
81-95, 241.6, 241.7; 175/66, 84, 202, 207-209;
141/86

[56] **References Cited**

U.S. PATENT DOCUMENTS

D. 351,607	10/1994	Walker	D15/150
1,418,612	6/1922	Beard .	
1,448,243	3/1923	Wilson .	
1,809,175	6/1931	Loomis .	
2,137,832	11/1938	Cordes .	
2,163,327	6/1939	Shaffer .	
2,353,412	7/1944	Miller .	
2,468,992	5/1949	Miller .	
2,522,444	9/1950	Grable .	
2,610,690	9/1952	Beatty .	
2,716,455	8/1955	Jones, Jr. .	

4,665,976	5/1987	Retherford	166/81
5,121,794	6/1992	Hibdon et al.	166/81
5,150,751	9/1992	Burton et al.	166/81
5,184,608	2/1993	Hale, III	166/93 X
5,246,067	9/1993	Heinonen et al.	166/81
5,295,536	3/1994	Bode	166/81
5,309,991	5/1994	Watkins	166/83 X
5,351,753	10/1994	Golson	166/81

Primary Examiner—Antoine Duval Davis

[57] **CLAIM**

The ornamental design for a container for an oil well stuffing box, as shown and described.

DESCRIPTION

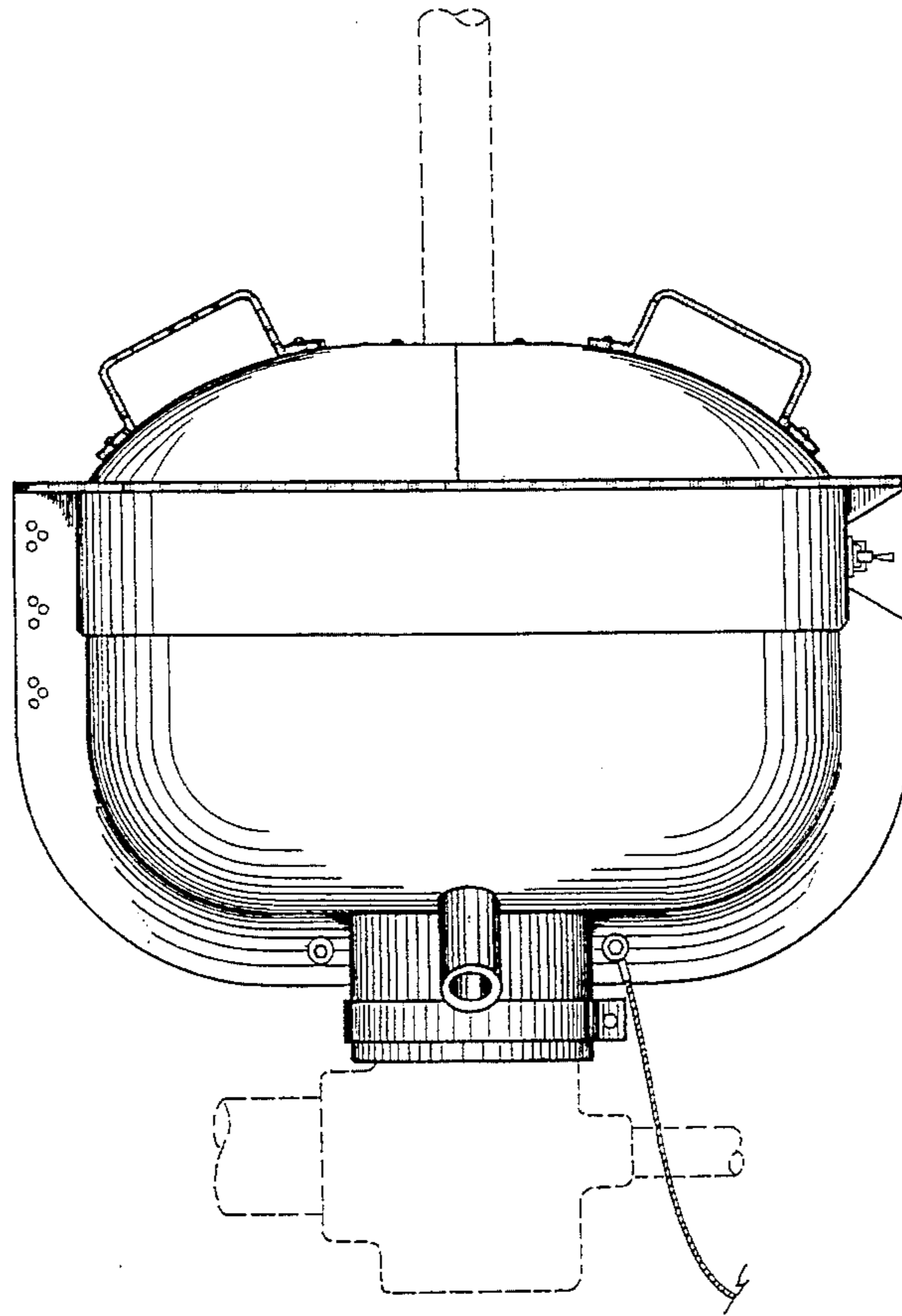
FIG. 1 is a front elevation view of a container for an oil well stuffing box, wherein the broken line showing of a polished rod and a production T is for illustrative purposes only and forms no part of the claimed design;

FIG. 2 is a right side elevation view of the container for an oil well stuffing box, wherein the broken line showing of a polished rod and a production T is for illustrative purposes only and forms no part of the claimed design;

FIG. 3 is a left side elevation view of the container for an oil well stuffing box, wherein the broken line showing of a polished rod and a production T is for illustrative purposes only and forms no part of the claimed design; and,

FIG. 4 is a top plan view of the container for an oil well stuffing box.

1 Claim, 4 Drawing Sheets



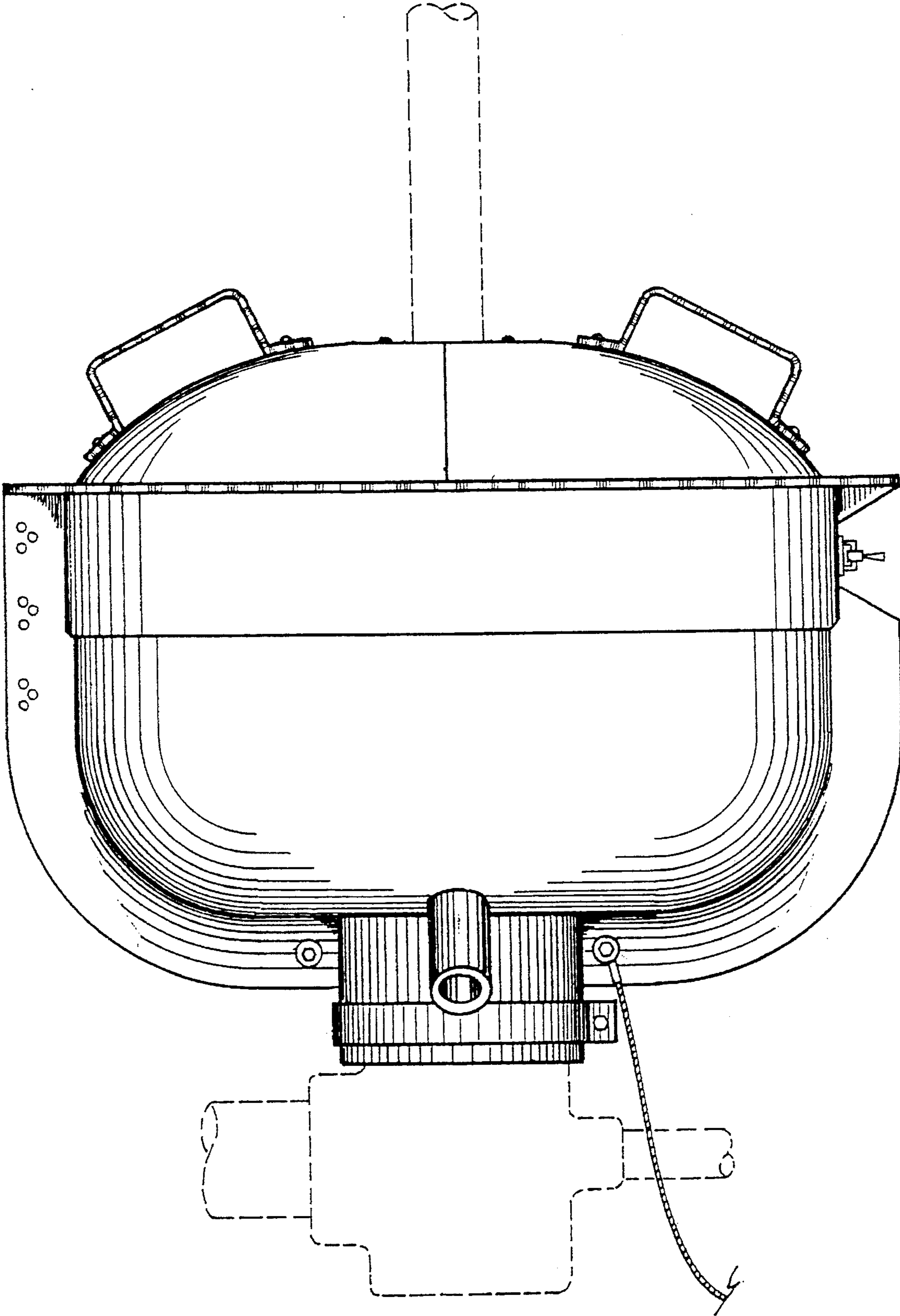


FIG. 1

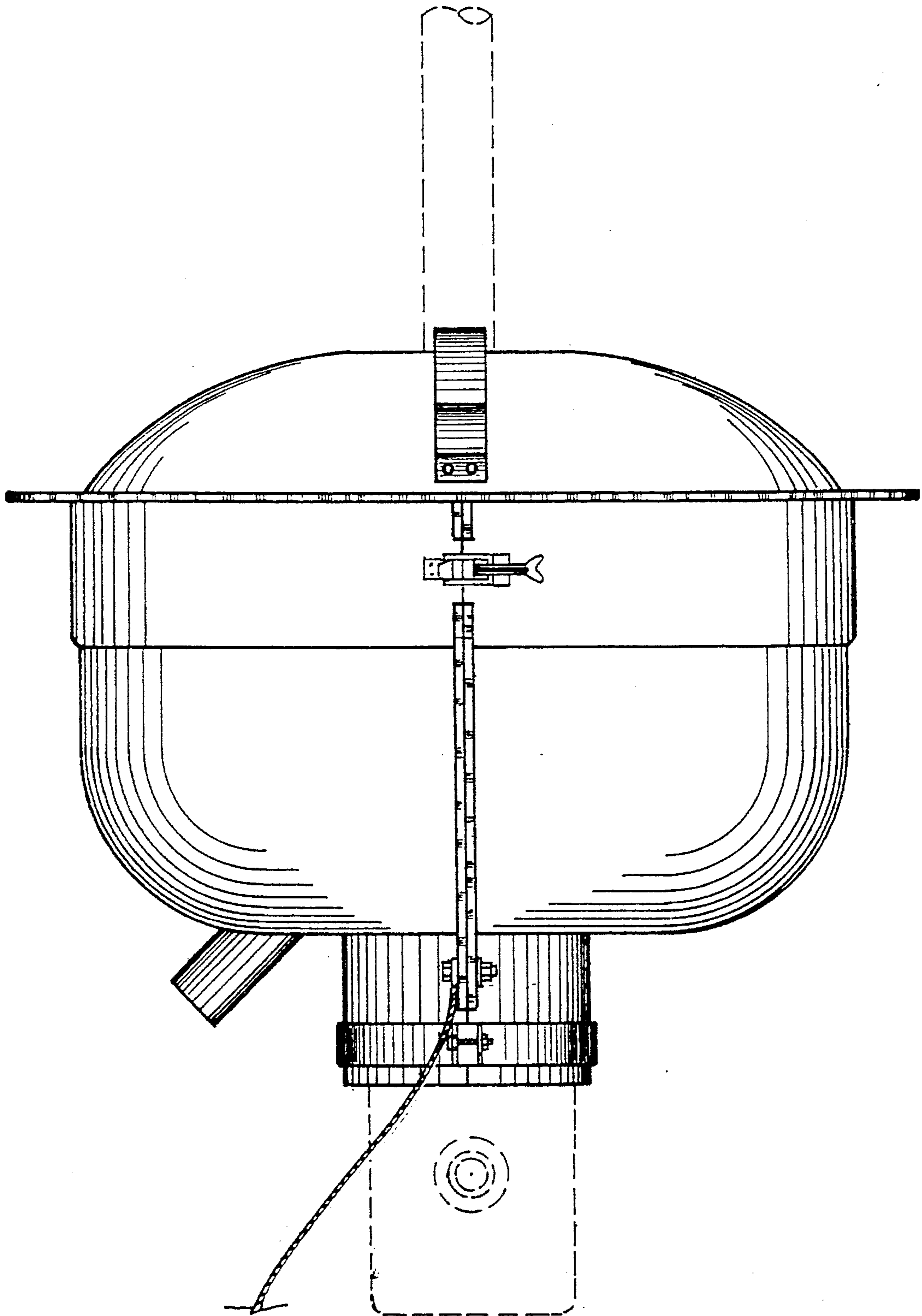


FIG. 2

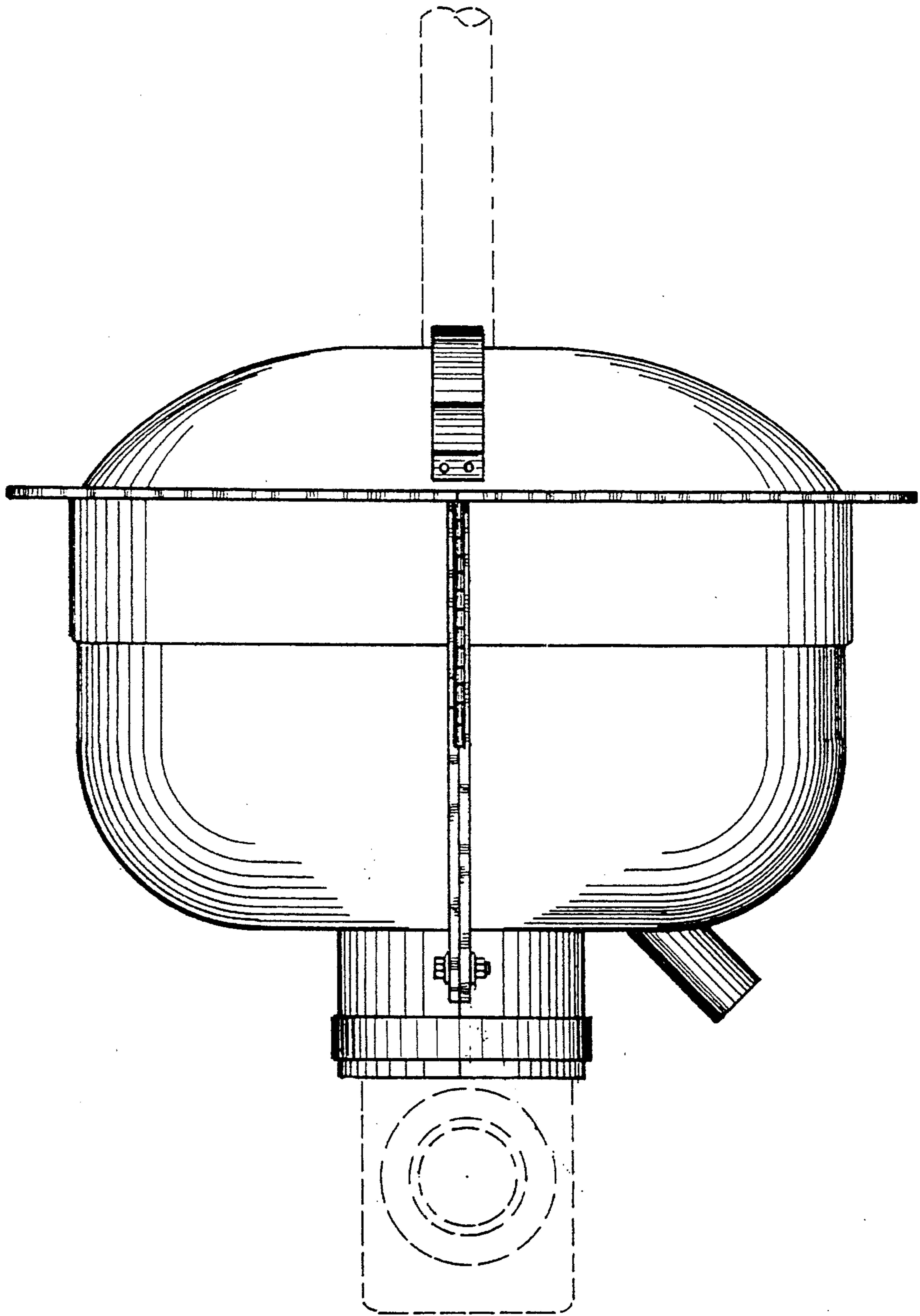


FIG. 3

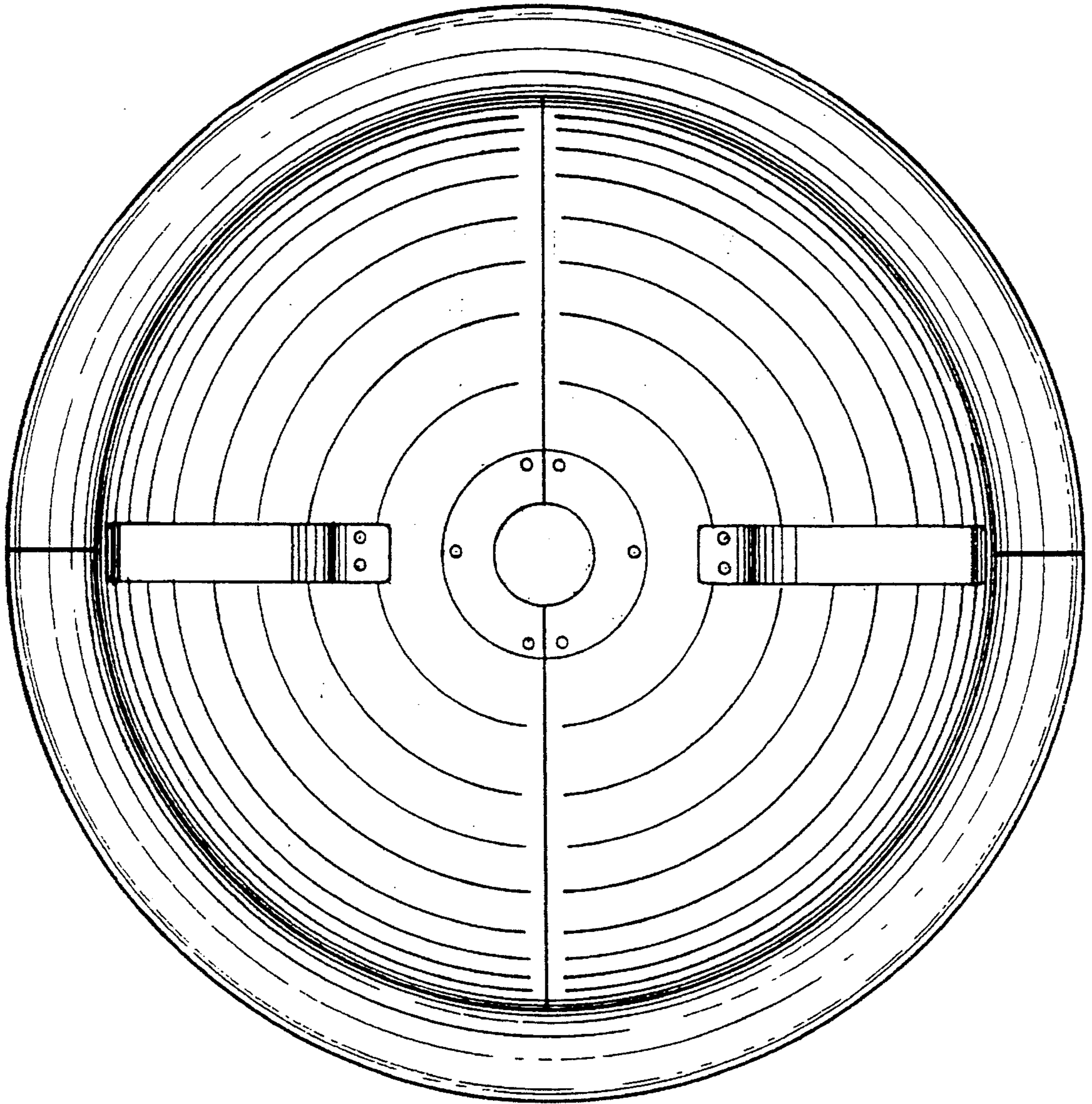


FIG. 4

UNITED STATES PATENT AND TRADEMARK OFFICE
CERTIFICATE OF CORRECTION

PATENT NO. : Des. 365,353
DATED : December 19, 1995
INVENTOR(S) : Jack G. Brewer

Page 1 of 3

It is certified that error appears in the above-identified patent and that said Letters Patent is hereby corrected as shown below:

In the Drawing:

The title, page showing an illustrative figure, should be deleted and substitute therefor the attached title page.

Delete Figure 2, and substitute therefor the Drawing Sheet, consisting of Figure 2, as shown on the attached page.

Signed and Sealed this
Twenty-fifth Day of June, 1996



BRUCE LEHMAN

Commissioner of Patents and Trademarks

Attest:

Attesting Officer

United States Patent [19]
Brewer

[11] **Patent Number:** **Des. 365,353**
 [45] **Date of Patent:** ****Dec. 19, 1995**

[54] **CONTAINER FOR AN OIL WELL STUFFING BOX**

[75] **Inventor:** **Jack G. Brewer**, Chickasha, Okla.

[73] **Assignee:** **Pollution Control, Inc.**, Chickasha, Okla.

[**] **Term:** **14 Years**

[21] **Appl. No.:** **30,616**

[22] **Filed:** **Nov. 3, 1994**

[52] **U.S. Cl.** **D15/199**

[58] **Field of Search** **D15/150-152,**
D15/199; D23/200, 499; 73/40: 166/77.5,
81-95, 241.6, 241.7; 175/66, 84, 202, 207-209;
141/86

[56] **References Cited**

U.S. PATENT DOCUMENTS

D. 351,607	10/1994	Walker	D15/150
1,418,612	6/1922	Beard	.	
1,448,243	3/1923	Wilson	.	
1,809,175	6/1931	Loomis	.	
2,137,832	11/1938	Cordes	.	
2,163,327	6/1939	Shaffer	.	
2,353,412	7/1944	Miller	.	
2,468,992	5/1949	Miller	.	
2,522,444	9/1950	Grable	.	
2,610,690	9/1952	Beatty	.	
2,716,455	8/1955	Jones, Jr.	.	

4,665,976	5/1987	Retherford	166/81
5,121,794	6/1992	Hibdon et al.	166/81
5,150,751	9/1992	Burton et al.	166/81
5,184,608	2/1993	Hale, III	166/93 X
5,246,067	9/1993	Heinonen et al.	166/81
5,295,536	3/1994	Bode	166/81
5,309,991	5/1994	Watkins	166/83 X
5,351,753	10/1994	Golson	166/81

Primary Examiner—Antoine Duval Davis

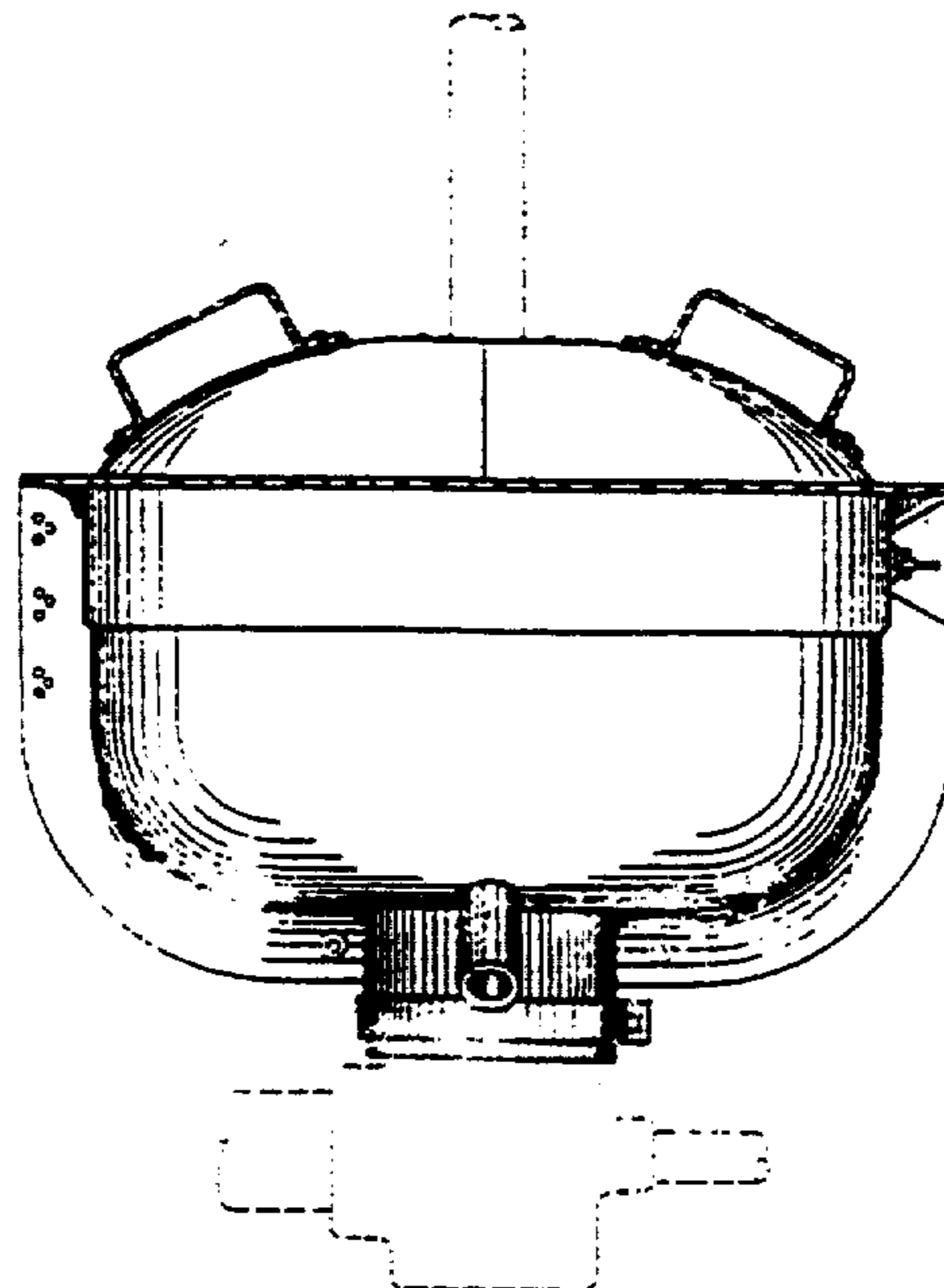
[57] **CLAIM**

The ornamental design for a container for an oil well stuffing box, as shown and described.

DESCRIPTION

FIG. 1 is a front elevation view of a container for an oil well stuffing box, wherein the broken line showing of a polished rod and a production T is for illustrative purposes only and forms no part of the claimed design;
 FIG. 2 is a right side elevation view of the container for an oil well stuffing box, wherein the broken line showing of a polished rod and a production T is for illustrative purposes only and forms no part of the claimed design;
 FIG. 3 is a left side elevation view of the container for an oil well stuffing box, wherein the broken line showing of a polished rod and a production T is for illustrative purposes only and forms no part of the claimed design; and
 FIG. 4 is a top plan view of the container for an oil well stuffing box.

1 Claim, 4 Drawing Sheets



UNITED STATES PATENT AND TRADEMARK OFFICE
CERTIFICATE OF CORRECTION

PATENT NO. : Des. 365,353
DATED : December 19, 1995
INVENTOR(S) : Jack G. Brewer

Page 3 of 3

It is certified that error appears in the above-identified patent and that said Letters Patent is hereby corrected as shown below:

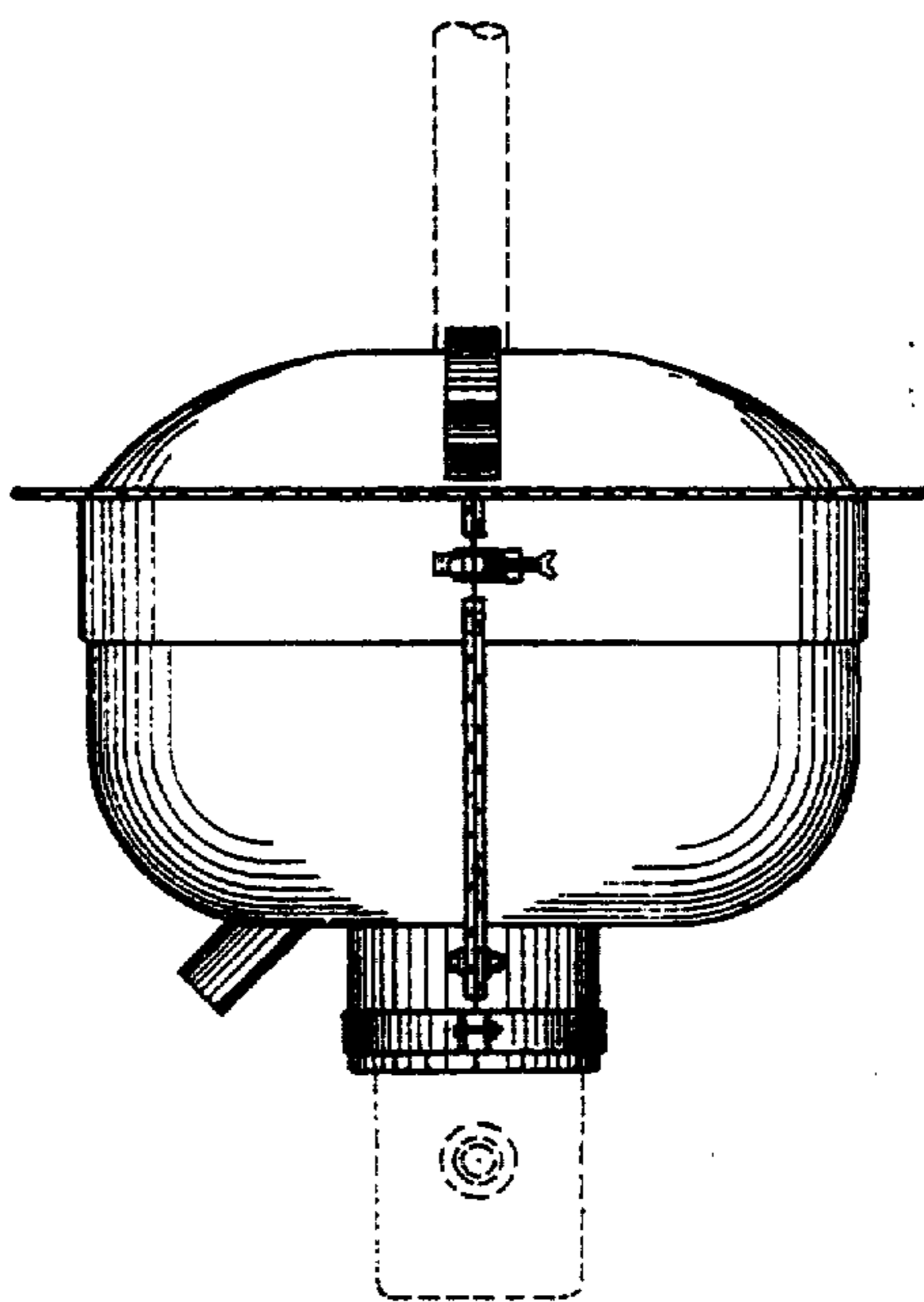


FIG. 2