



US00D365352S

United States Patent [19]

[11] Patent Number: **Des. 365,352**

Miyamoto et al.

[45] Date of Patent: ****Dec. 19, 1995**

[54] **RODLESS CYLINDER**

5,333,535 8/1994 Miyamoto et al. .

5,335,583 8/1994 Kaneko et al. 92/88 X

[75] Inventors: **Michikazu Miyamoto; Go Asai; Kazuhiro Iida**, all of Ibaraki, Japan

OTHER PUBLICATIONS

[73] Assignee: **SMC Kabushiki Kaisha**, Tokyo, Japan

U.S. patent application Ser. No. 29/034,576 filed 02/08/95 pending.

[**] Term: **14 Years**

U.S. patent application Ser. No. 08/421,969 filed 04/14/95 pending.

[21] Appl. No.: **34,576**

Primary Examiner—Antoine Duval Davis
Attorney, Agent, or Firm—Oblon, Spivak, McClelland, Maier & Neustadt

[22] Filed: **Feb. 8, 1995**

[30] Foreign Application Priority Data

Aug. 8, 1994 [JP] Japan 6-23918

[52] U.S. Cl. **D15/143; D15/199**

[58] Field of Search D15/143, 199,
D15/5; 92/88, 5 R, 165 R, 146, 161; 277/DIG. 7;
384/49, 43

[57] CLAIM

The ornamental design for a rodless cylinder, as shown.

[56] References Cited

U.S. PATENT DOCUMENTS

D. 344,964	3/1994	Yamazaki	D15/143
D. 351,848	10/1994	Yamazaki	D15/143
5,275,088	1/1994	Takada et al.	.	
5,279,207	1/1994	Takada et al.	.	
5,311,810	5/1994	Takada et al.	.	
5,317,957	6/1994	Miyamoto	.	

DESCRIPTION

FIG. 1 is a top plan view of a rodless cylinder, showing our new design;
FIG. 2 is a front view thereof;
FIG. 3 is a right side view thereof;
FIG. 4 is a rear view thereof;
FIG. 5 is a back plan view thereof;
FIG. 6 is a perspective view thereof; and,
FIG. 7 is a sectional view taken along a line A—A in FIG. 1.

1 Claim, 4 Drawing Sheets

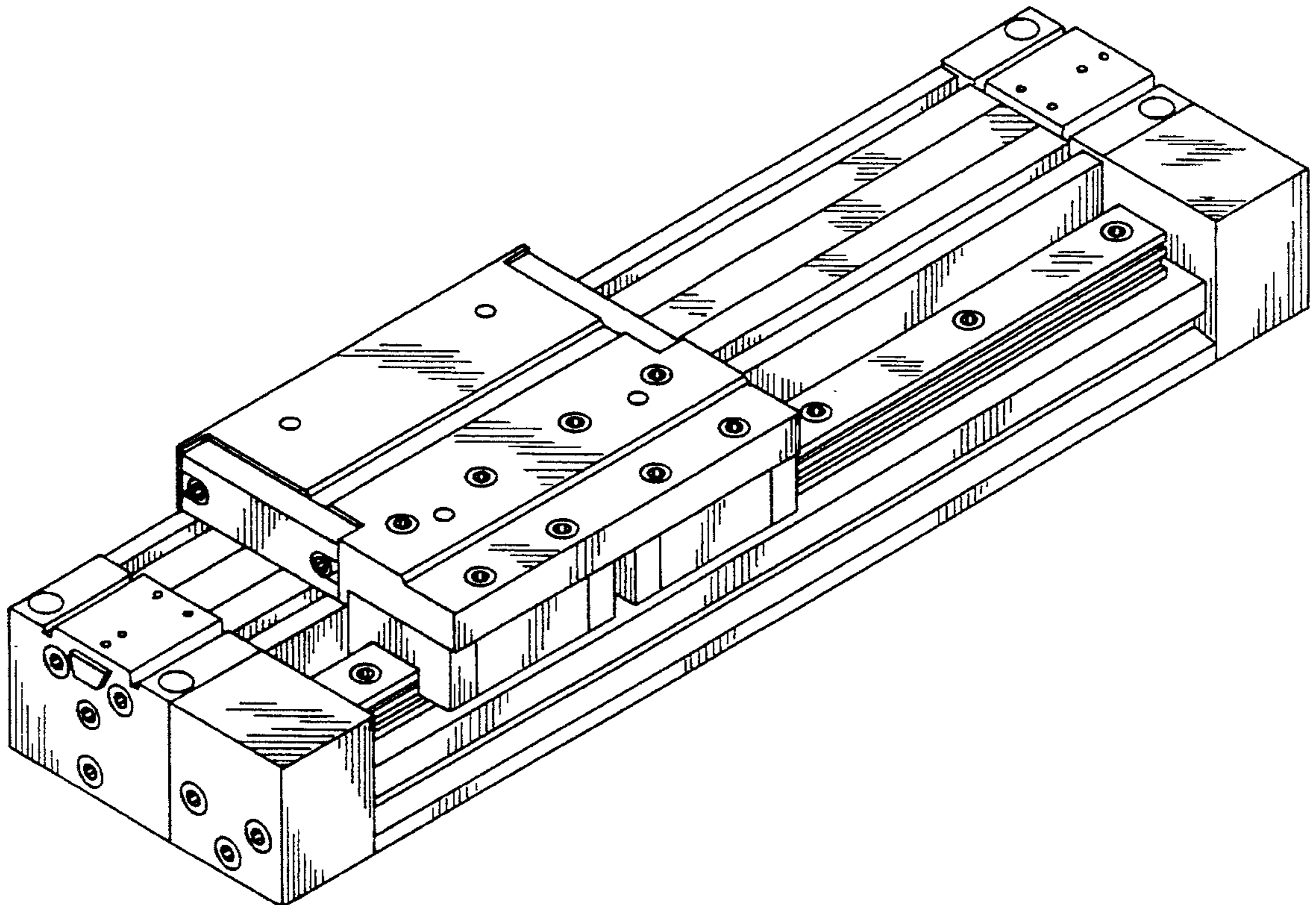


FIG.1

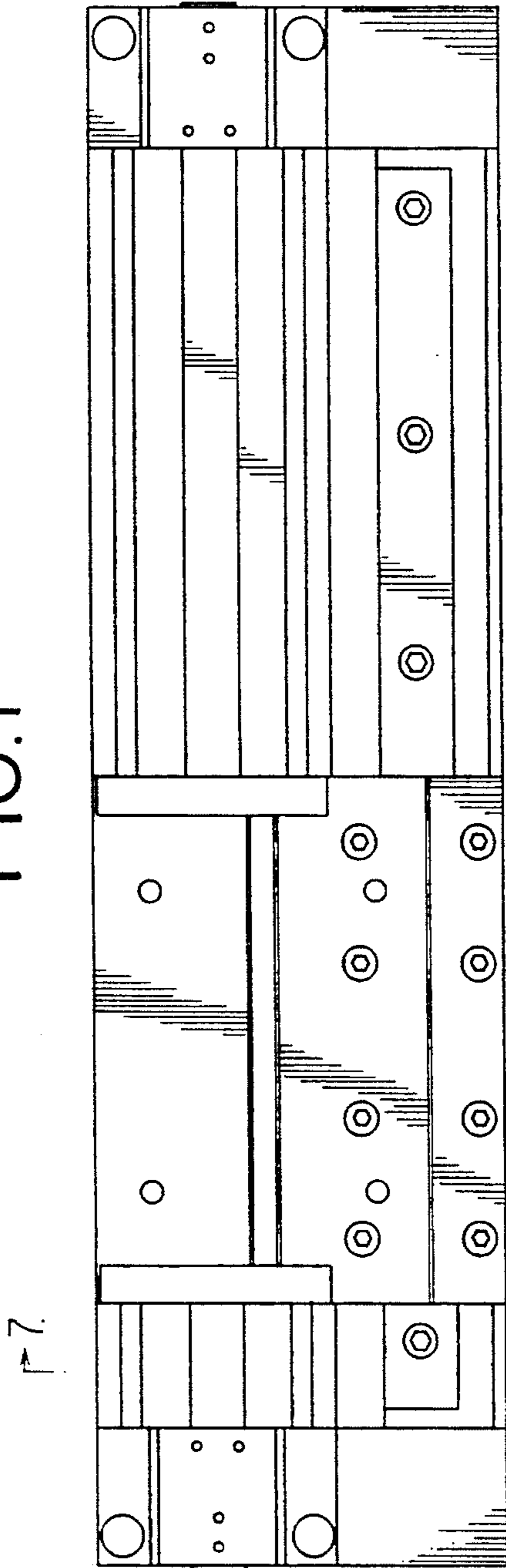


FIG.2

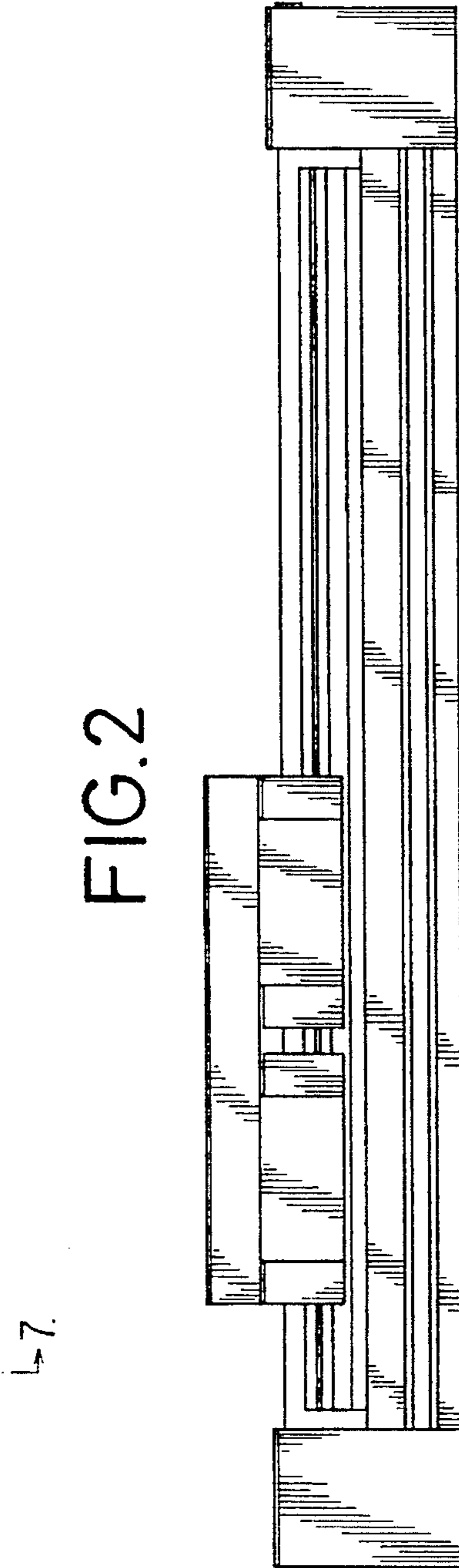


FIG.3

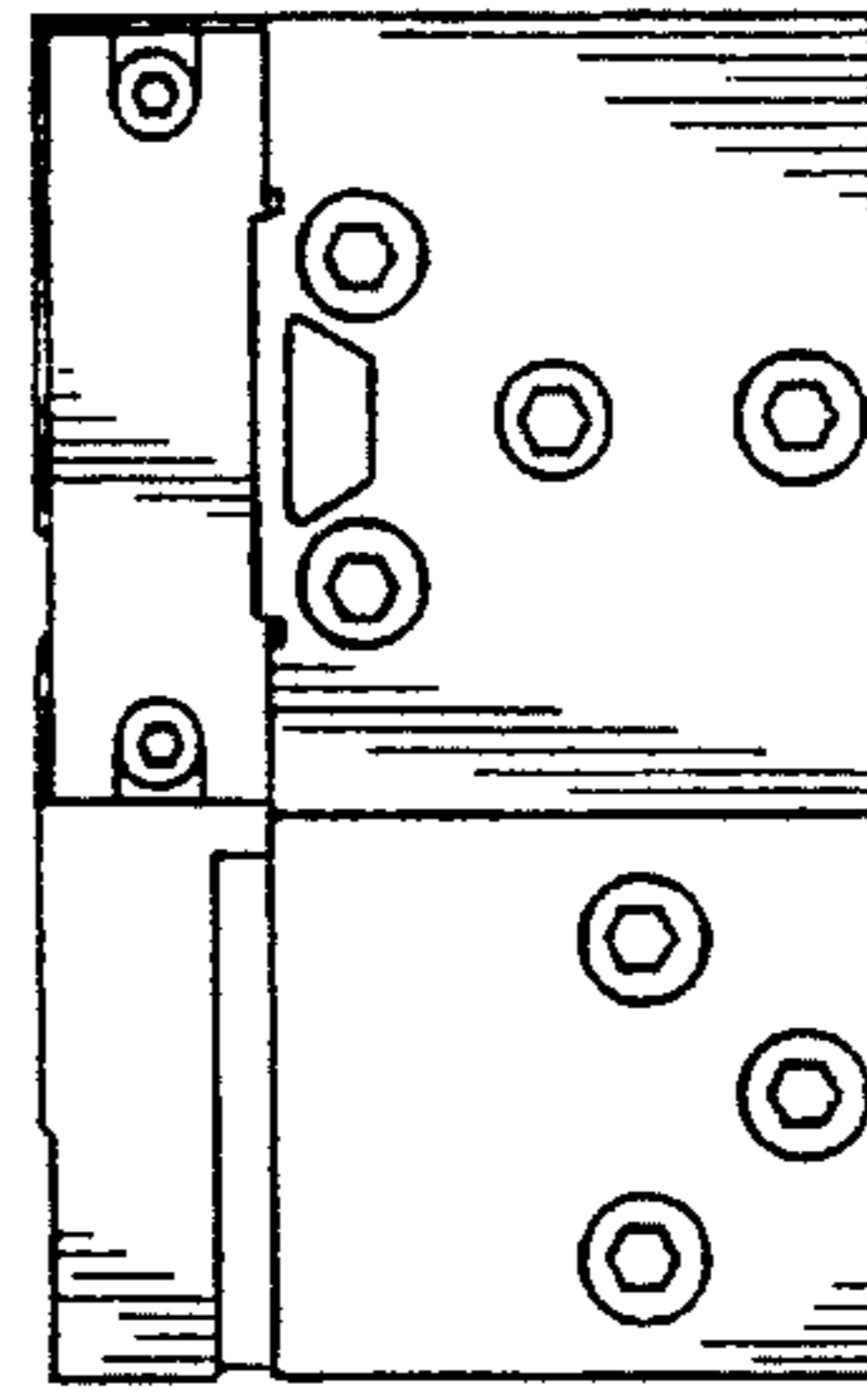


FIG.4

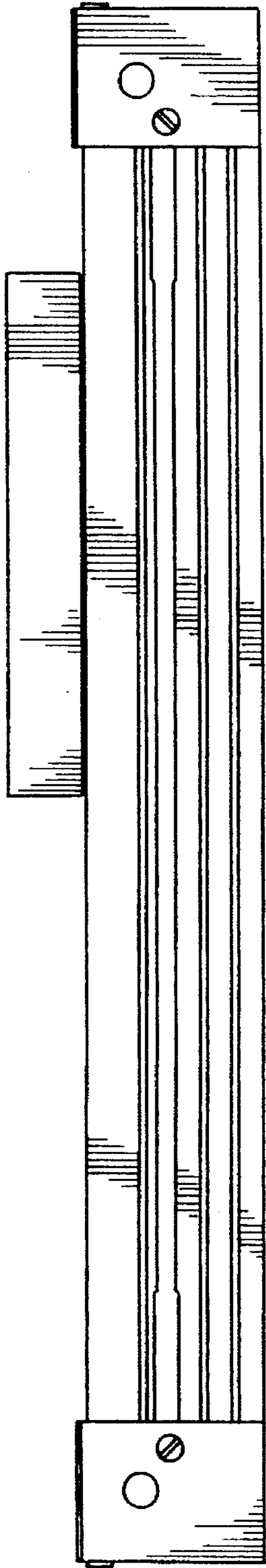
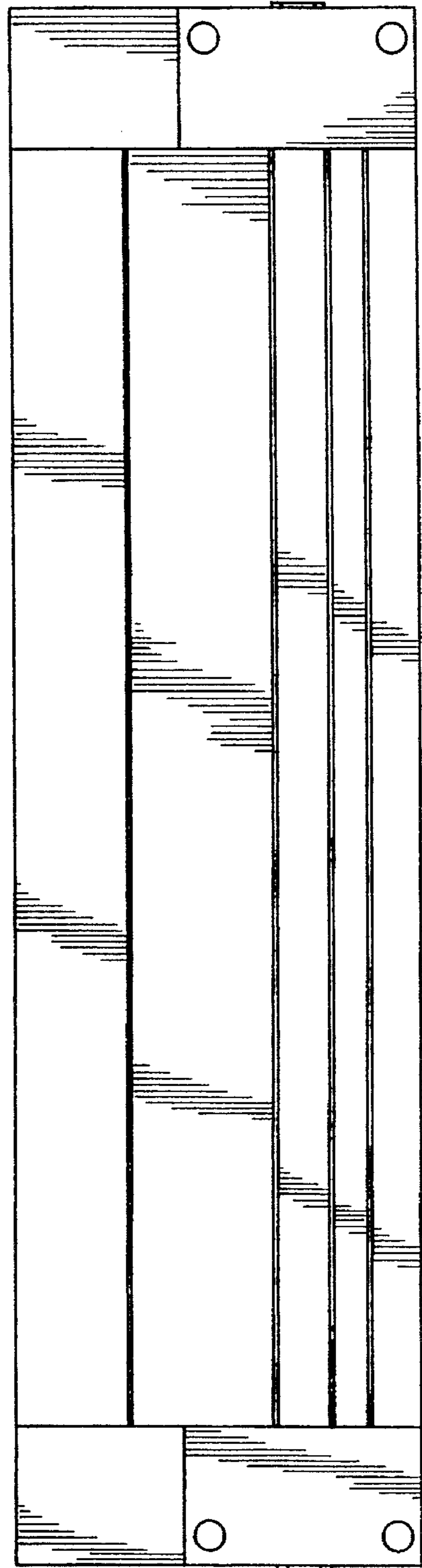


FIG.5



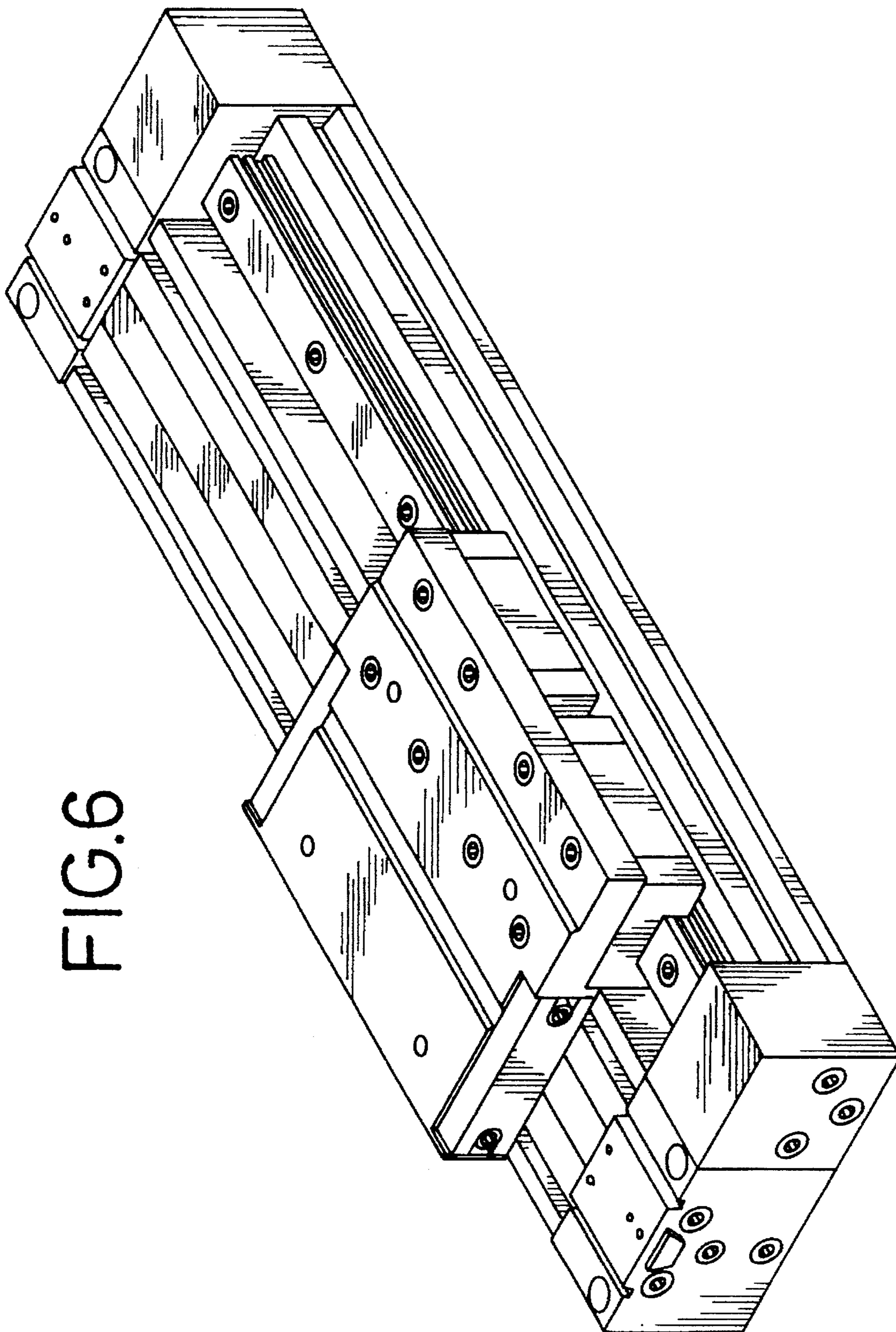


FIG.6

FIG. 7

