



US00D365350S

# United States Patent [19]

Willis

[11] Patent Number: **Des. 365,350**

[45] Date of Patent: **\*\*Dec. 19, 1995**

[54] **SIMPLIFIED AGRICULTURAL PLANTER**

5,322,409 6/1994 McCluney ..... 280/32.5

[76] Inventor: **Ernest L. Willis**, Rte. 1, Box 685,  
Newport, N.C. 28570

### FOREIGN PATENT DOCUMENTS

865226 8/1949 Germany ..... 280/32.5

[\*\*] Term: **14 Years**

*Primary Examiner*—Sandra L. Morris  
*Attorney, Agent, or Firm*—John G. Mills & Associates

[21] Appl. No.: **19,709**

### [57] CLAIM

[22] Filed: **Mar. 10, 1994**

The ornamental design for a simplified agricultural planter, as shown.

[52] U.S. Cl. .... **D15/27**

[58] Field of Search ..... D15/10, 11, 27,  
D15/28; 56/327.1, 328.1, 330, 331; 280/32.5,  
656

### DESCRIPTION

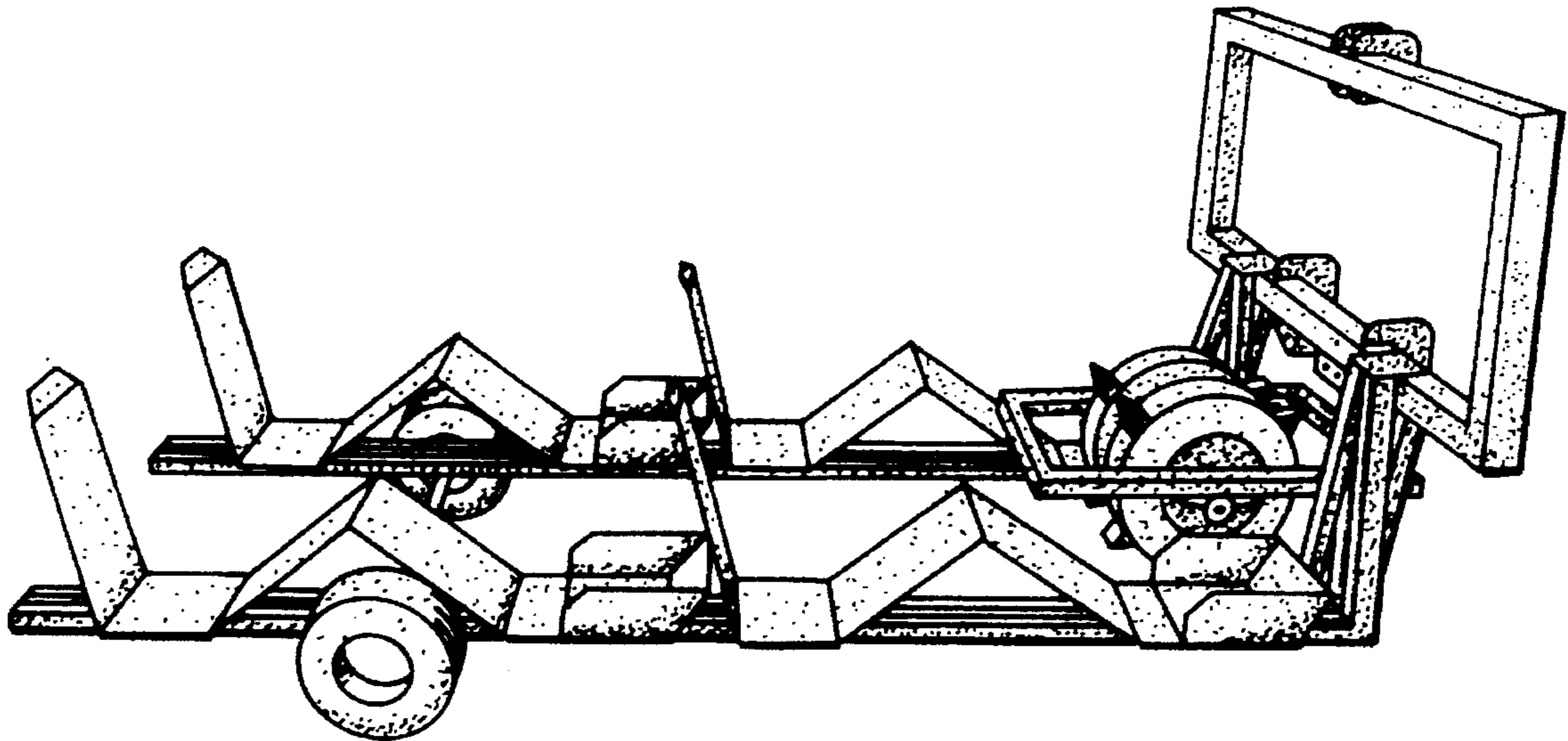
### [56] References Cited

#### U.S. PATENT DOCUMENTS

|            |         |                         |          |
|------------|---------|-------------------------|----------|
| D. 339,358 | 9/1993  | Van Mill et al. ....    | D15/27   |
| D. 340,725 | 10/1993 | Kelderman .....         | D15/27   |
| 3,252,249  | 5/1966  | Propst .....            | 280/32.5 |
| 3,351,151  | 11/1967 | Miller, Jr. et al. .... | 280/32.5 |
| 4,786,073  | 11/1988 | Harper .....            | 280/656  |

FIG. 1 is a perspective view of the simplified agricultural planter, showing my new design;  
FIG. 2 is an enlarged front elevational view thereof;  
FIG. 3 is an enlarged right side elevational view thereof;  
FIG. 4 is an enlarged rear elevational view thereof; and,  
FIG. 5 is an enlarged top plan view thereof.

**1 Claim, 3 Drawing Sheets**



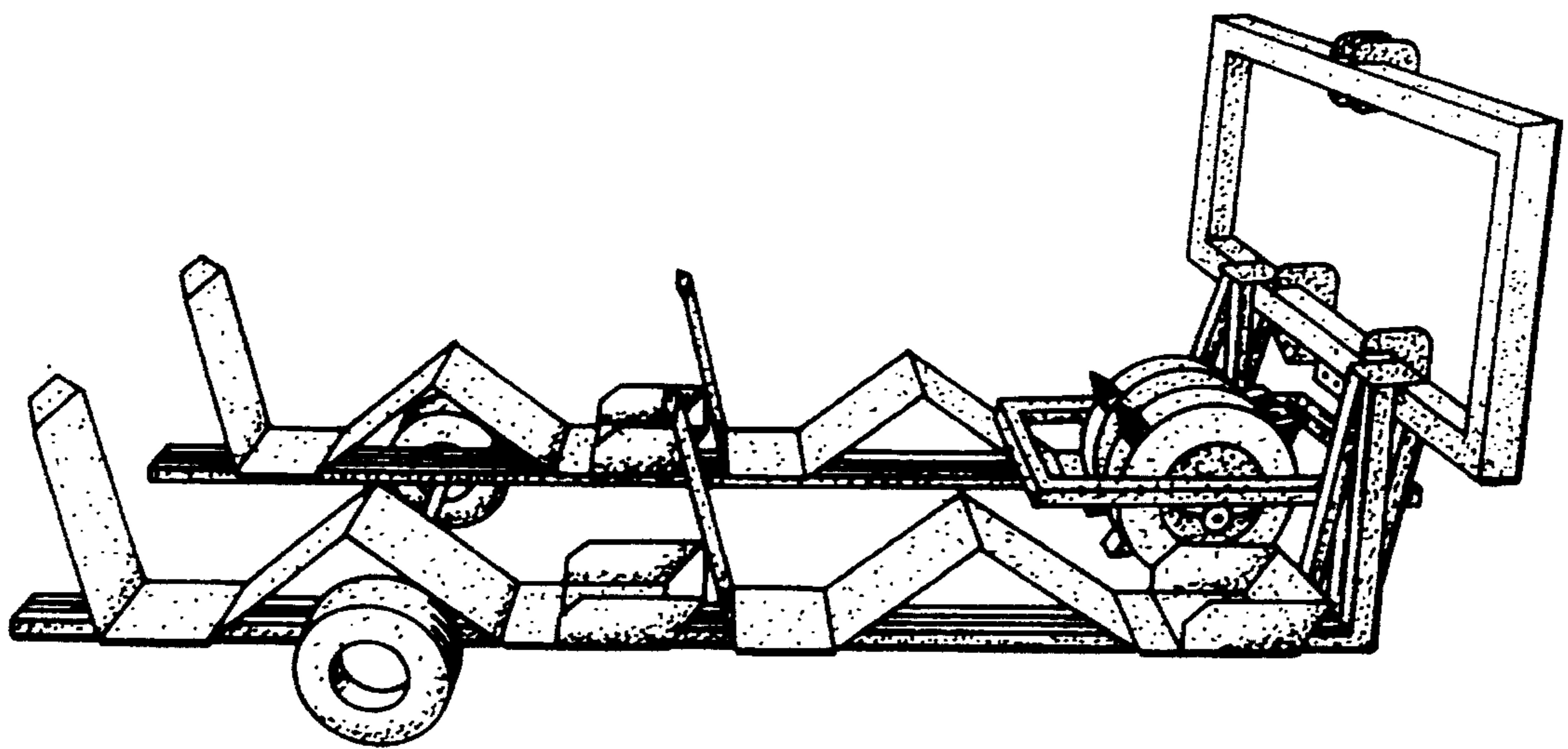


FIG. 1

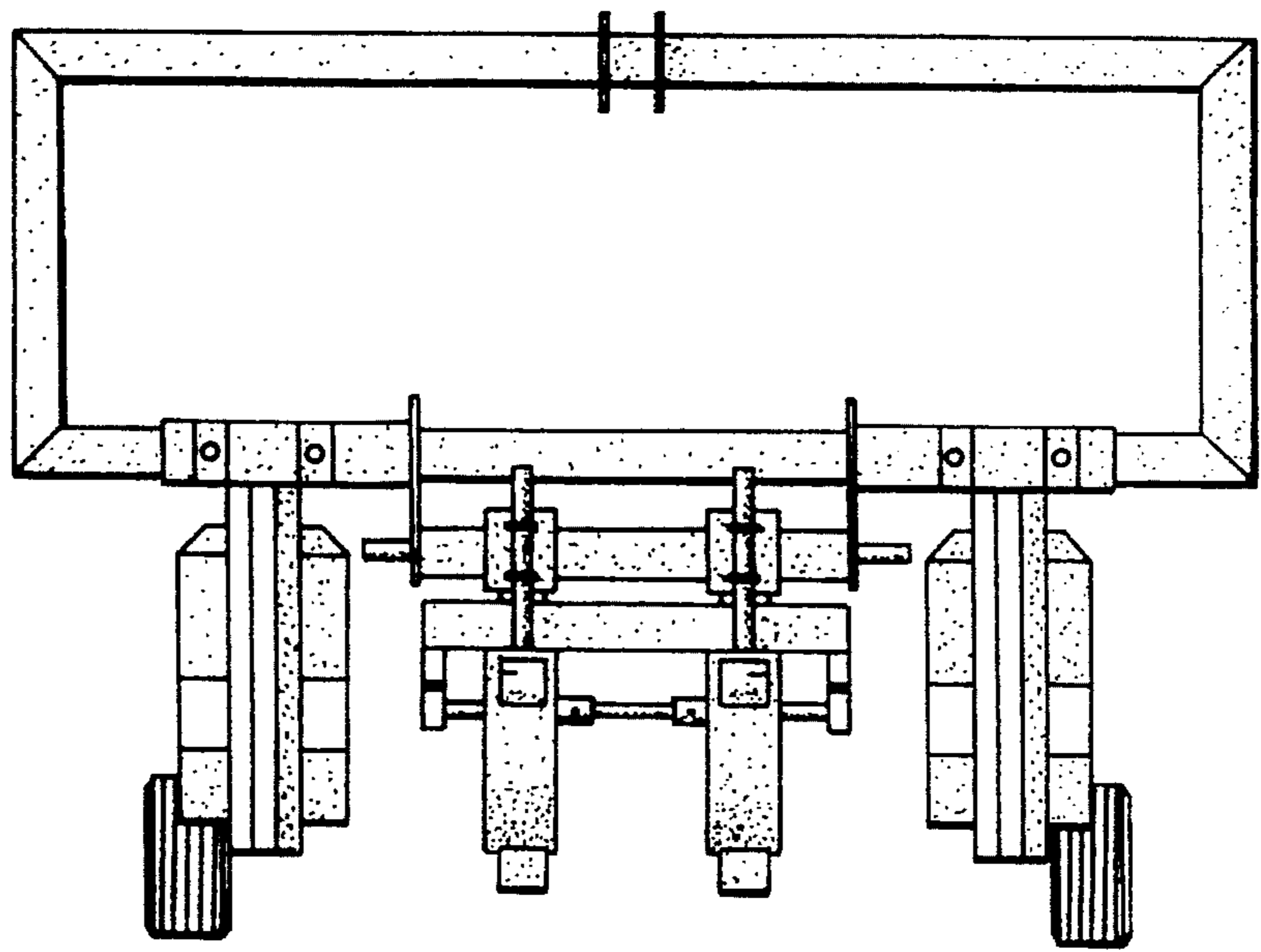


FIG. 2

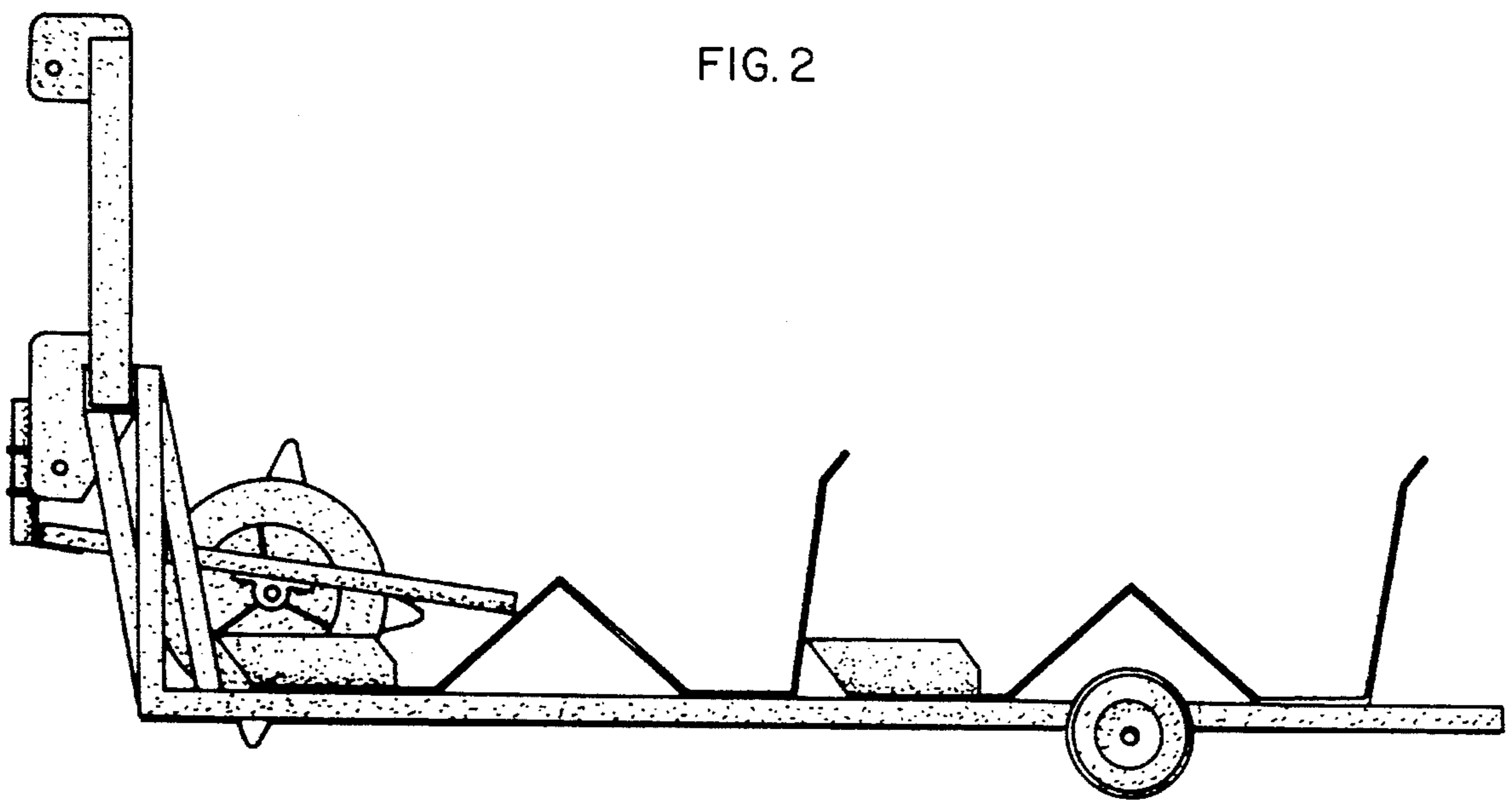


FIG. 3

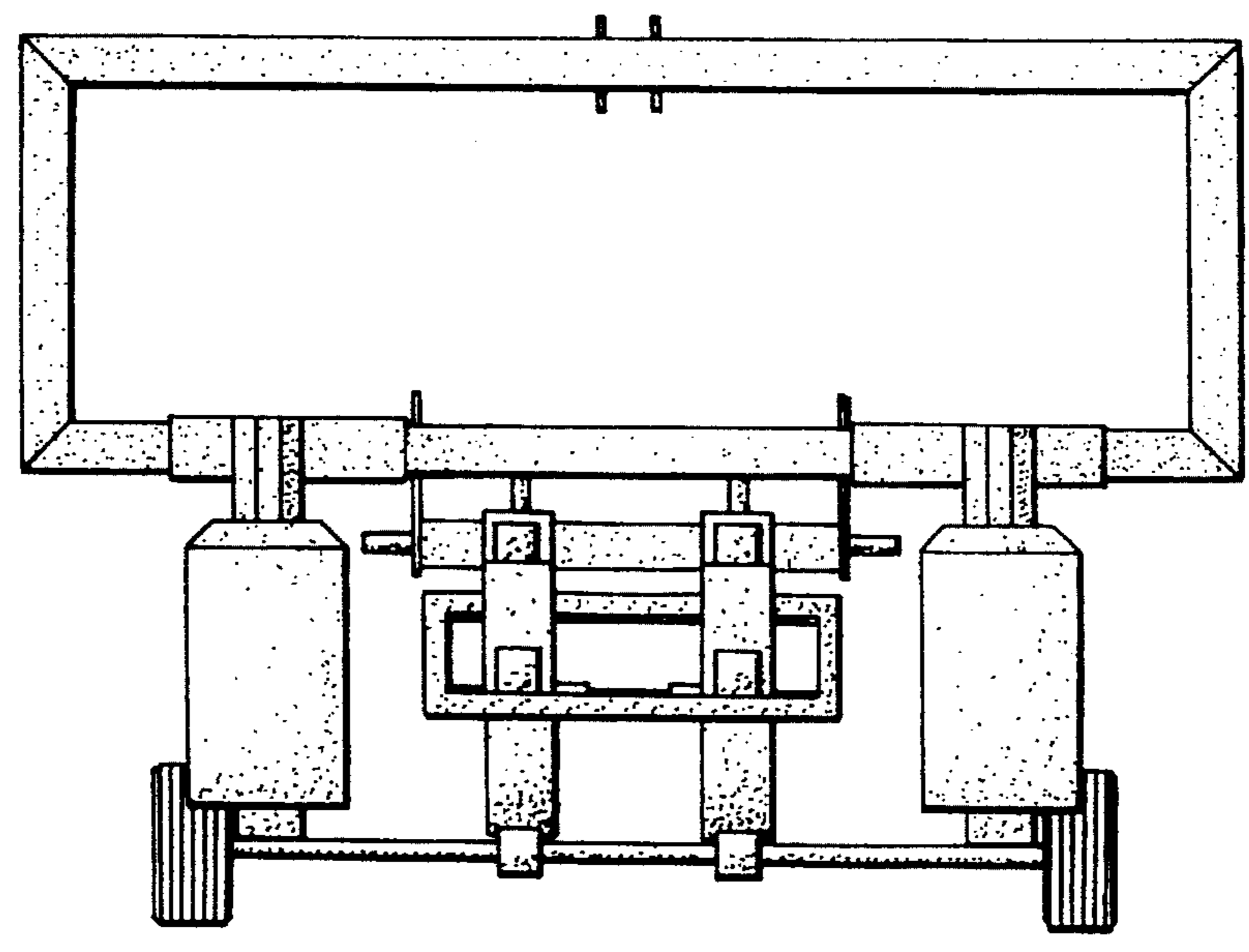


FIG. 4

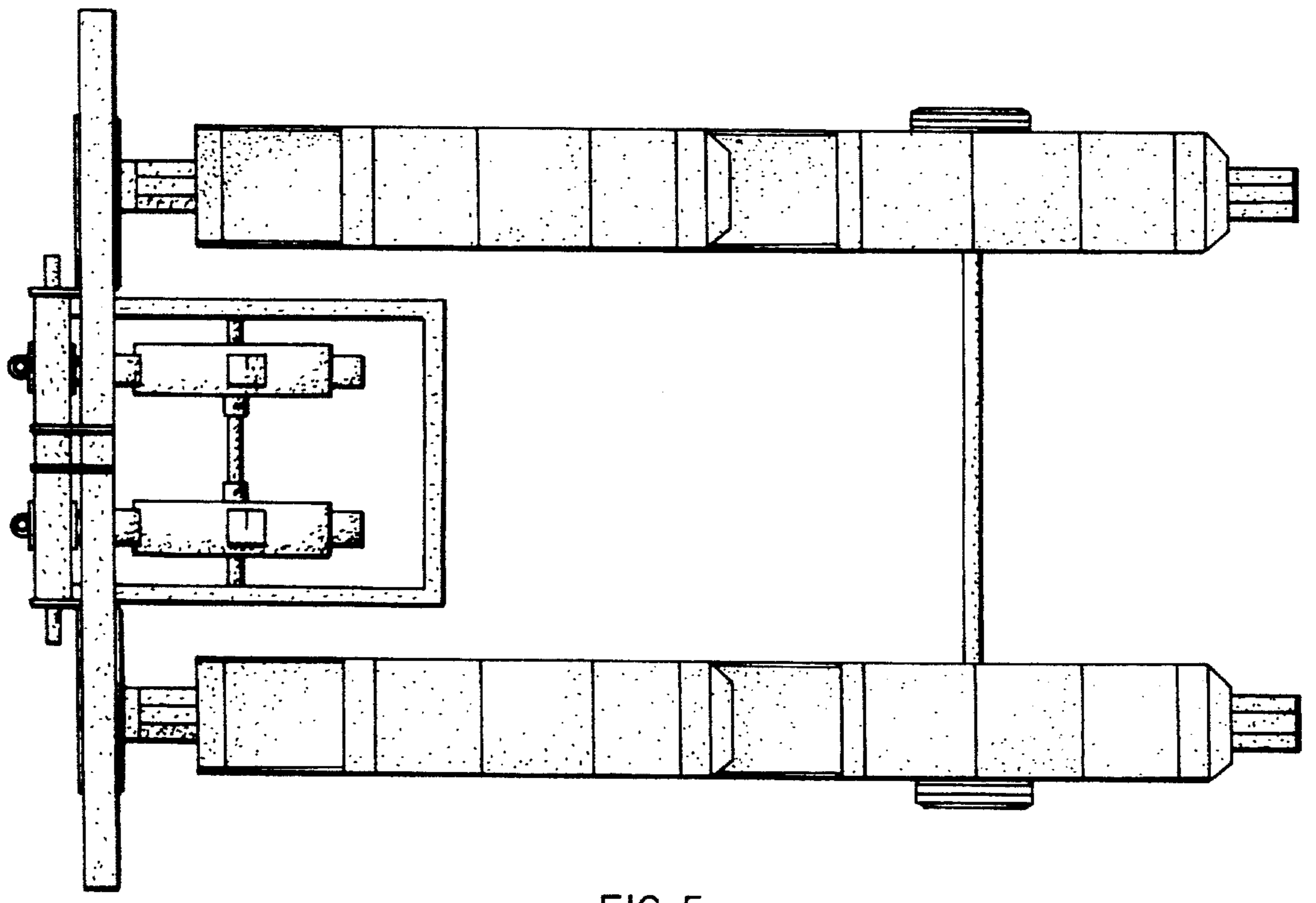


FIG. 5