



US00D365349S

# United States Patent [19]

Katoh et al.

[11] Patent Number: **Des. 365,349**

[45] Date of Patent: **\*\*Dec. 19, 1995**

[54] **RIDING MOWER**

[75] Inventors: **Hisato Katoh; Masatake Murakawa,**  
both of Sakai, Japan

[73] Assignee: **Kubota Corporation,** Osaka, Japan

[\*\*] Term: **14 Years**

[21] Appl. No.: **14,701**

[22] Filed: **Oct. 29, 1993**

[30] **Foreign Application Priority Data**

May 18, 1993 [JP] Japan ..... 5-14475

[52] **U.S. Cl.** ..... **D15/15**

[58] **Field of Search** ..... D15/10, 14-18,  
D15/22-26; 56/13.4, 16.6, 16.7, 202, 320.1,  
320.2, DIG. 7; 180/89.1, 89.12, 900

[56] **References Cited**

### U.S. PATENT DOCUMENTS

D. 218,768	9/1970	Schreckengost	.....	D15/15
D. 227,392	6/1973	Skyer	.....	D15/15
D. 243,270	2/1977	Ehrlin et al.	.....	D15/15
D. 248,655	7/1978	Klein	.....	D15/15
D. 284,968	8/1986	Watanabe et al.	.....	D15/15
D. 311,742	10/1990	Splittstoesser	.....	D15/15

D. 322,441	12/1991	Hinklin et al.	.....	D15/15
5,136,829	8/1992	Sebben et al.	.....	D15/15
5,238,267	8/1993	Hutchison et al.	.....	180/89.1

### OTHER PUBLICATIONS

John Deere Riding Mower Dec. 1989 Model RX75, cover.  
Implement & Tractor Mar. 1990 p. 201.  
Jacobsen "Turfcut" rotary riding mower Sears Circular, from  
Washington Post Feb. 17, 1991 Craftsman II rear engine  
riding mower.

*Primary Examiner*—Sandra L. Morris  
*Attorney, Agent, or Firm*—Jordan & Hamburg

[57] **CLAIM**

The ornamental design for a riding mower, as shown and described.

### DESCRIPTION

FIG. 1 is a plan view of our riding mower;  
FIG. 2 is a left side view thereof;  
FIG. 3 is a right side view thereof;  
FIG. 4 is a rear view thereof;  
FIG. 5 is a front view thereof;  
FIG. 6 is a front perspective view thereof; and,  
FIG. 7 is a rear perspective view thereof.

**1 Claim, 7 Drawing Sheets**

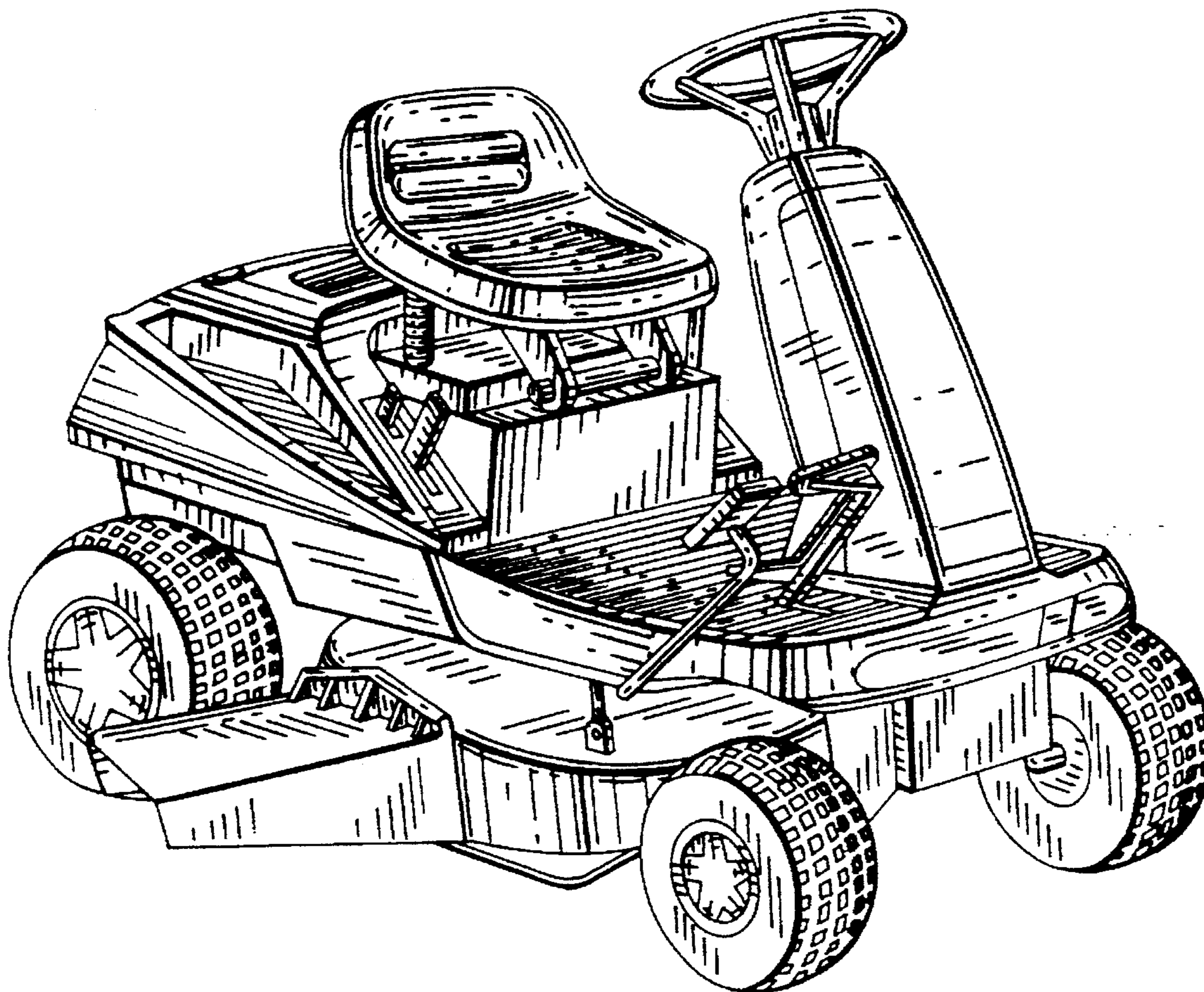
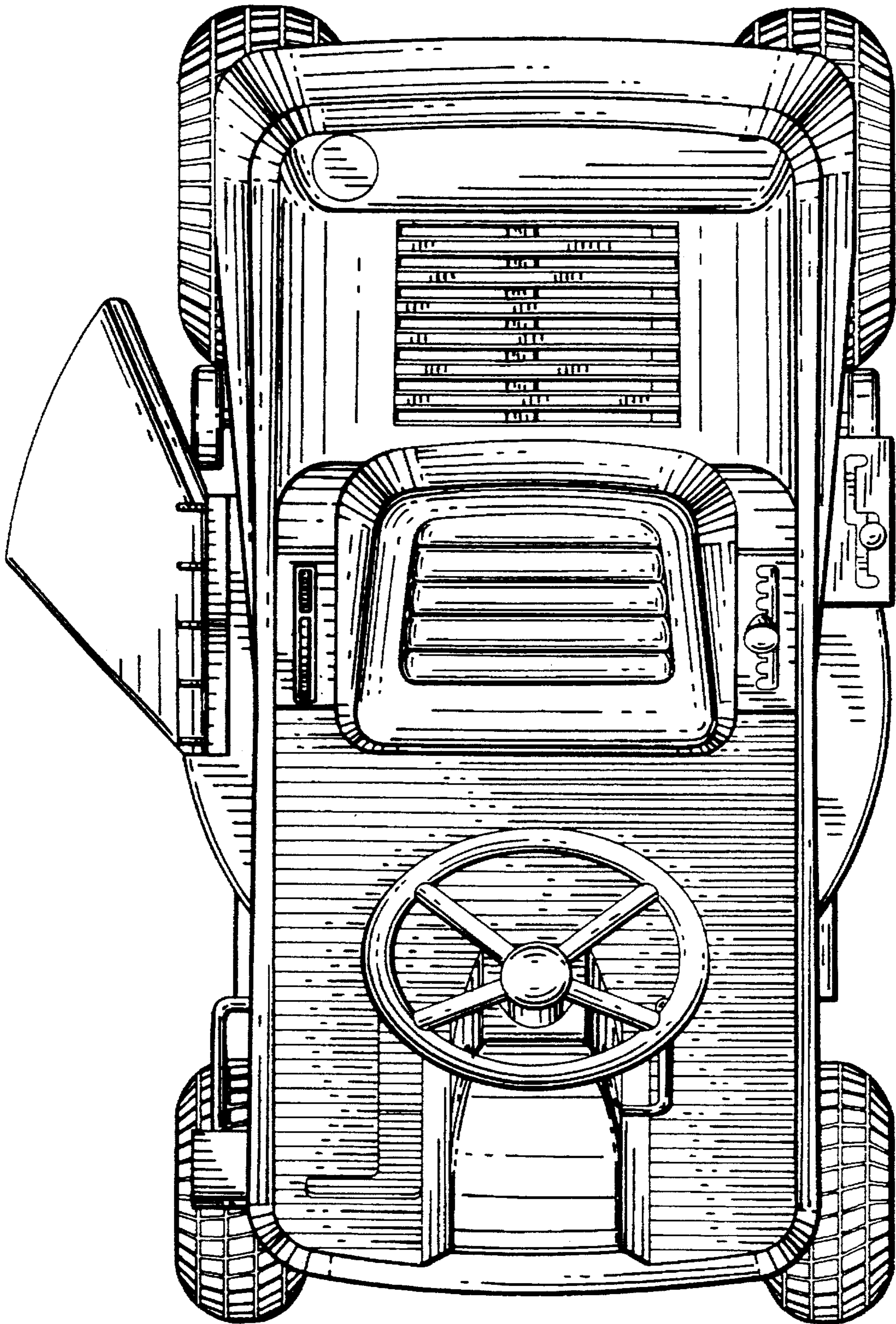


Fig. 1



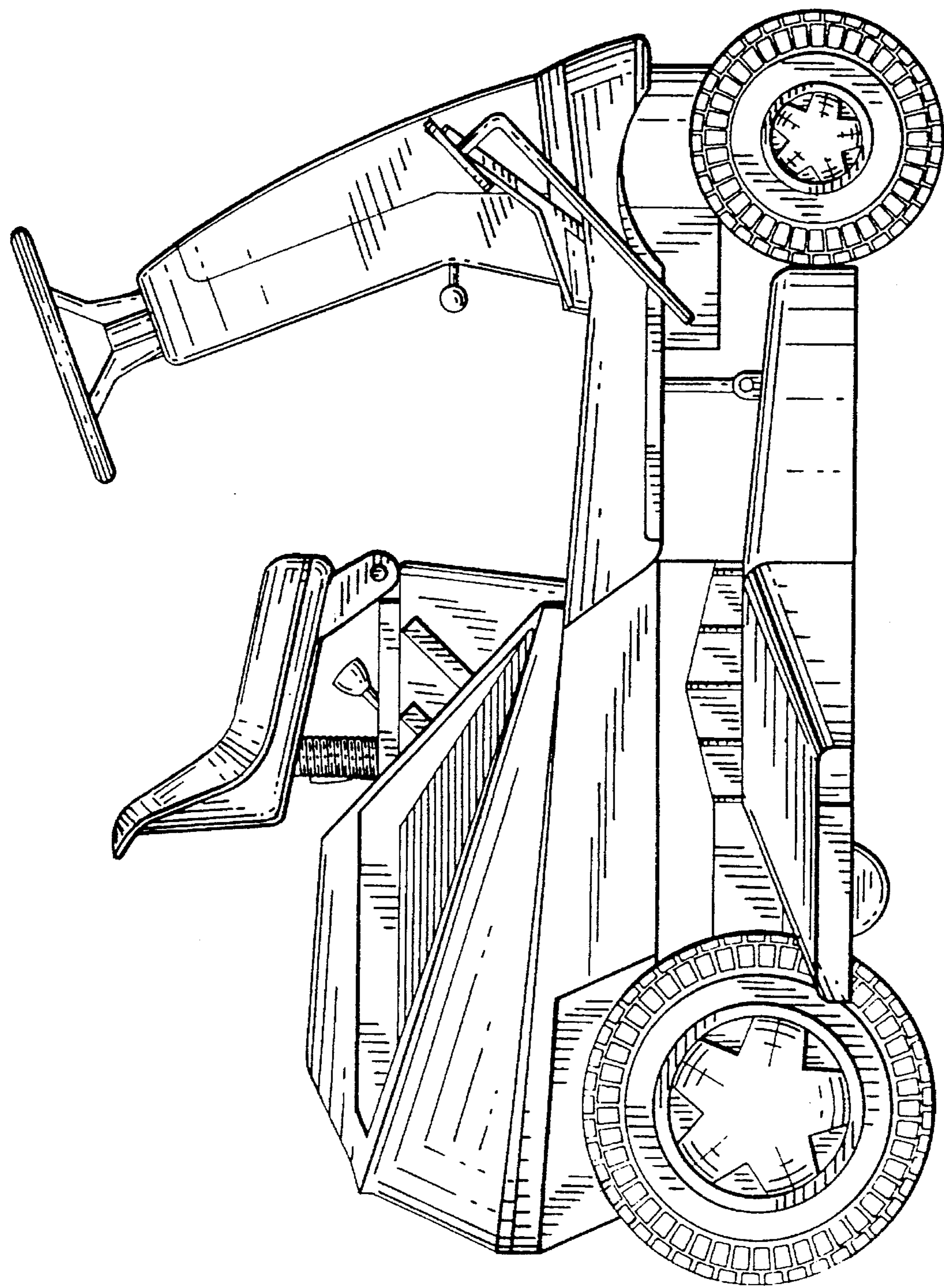


Fig. 2

Fig. 3

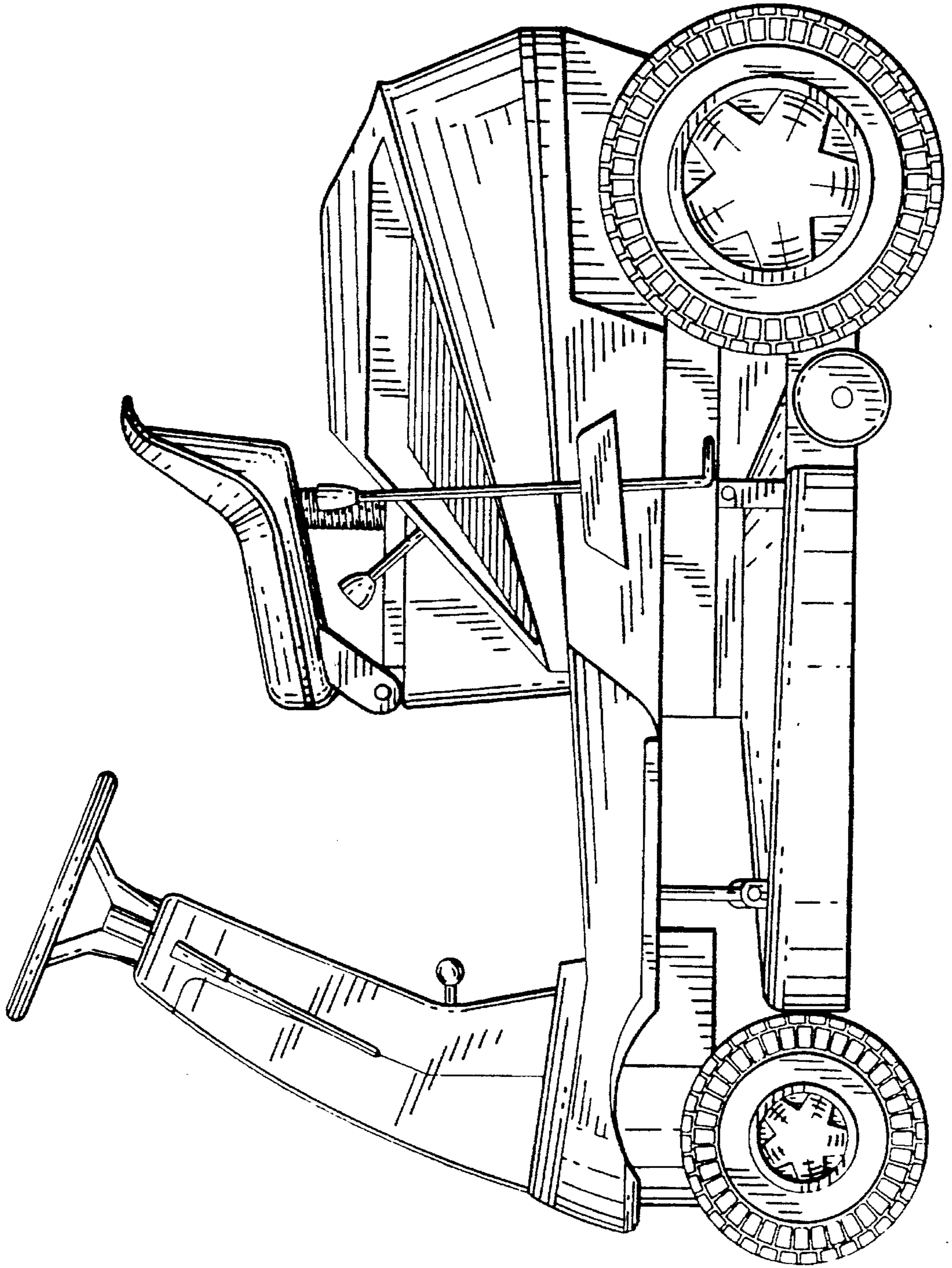


Fig. 4

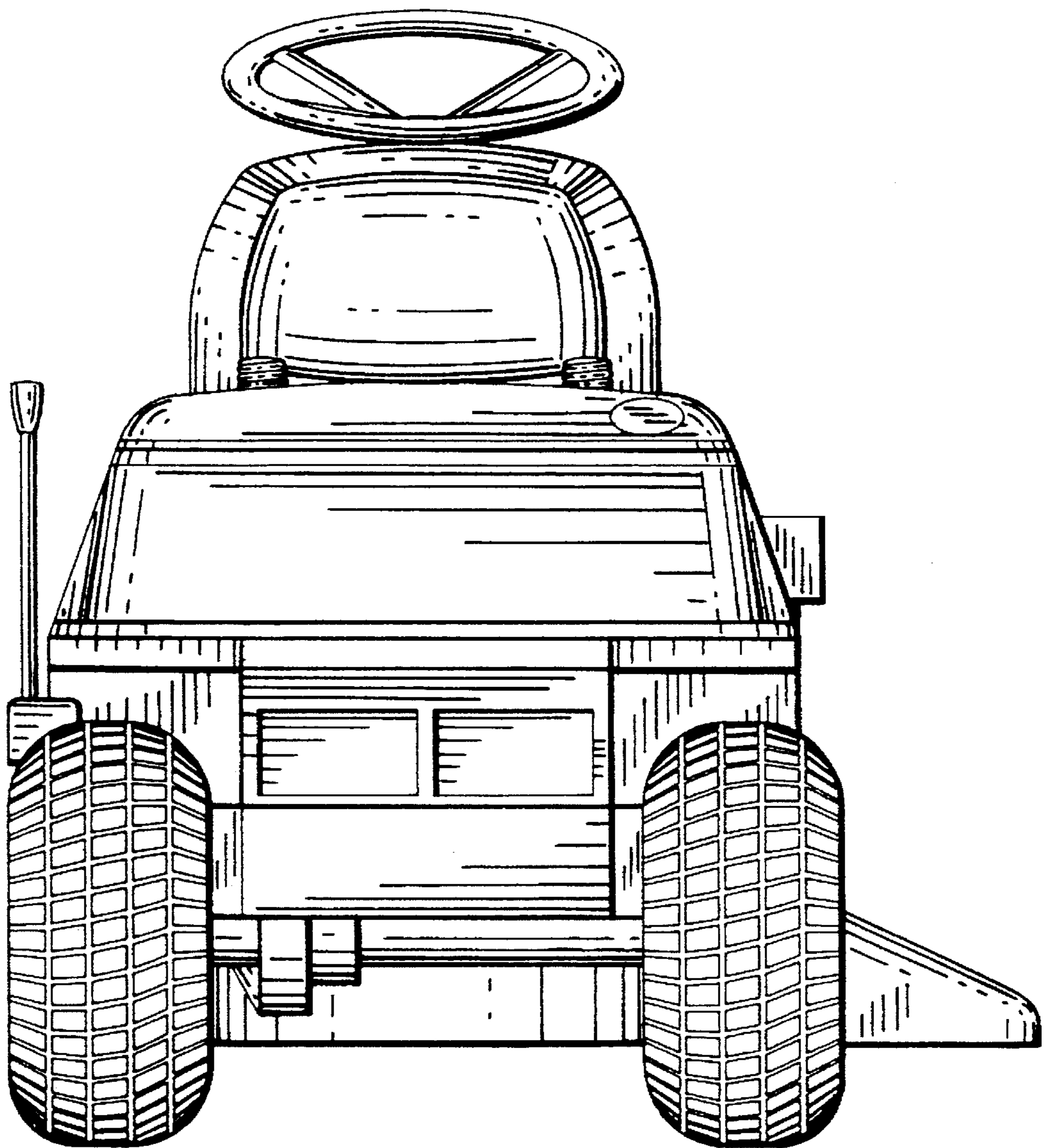


Fig. 5

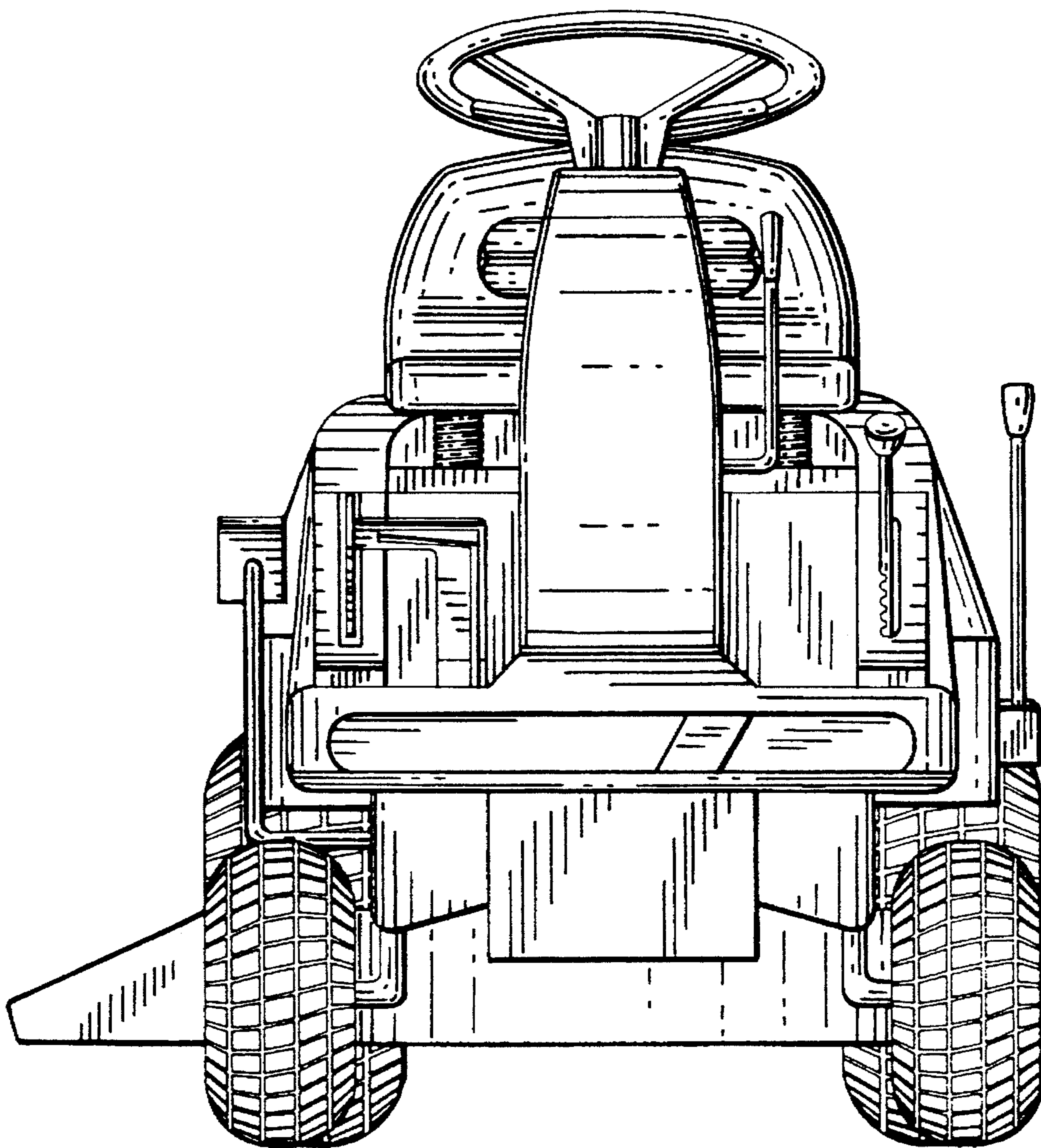


Fig. 6

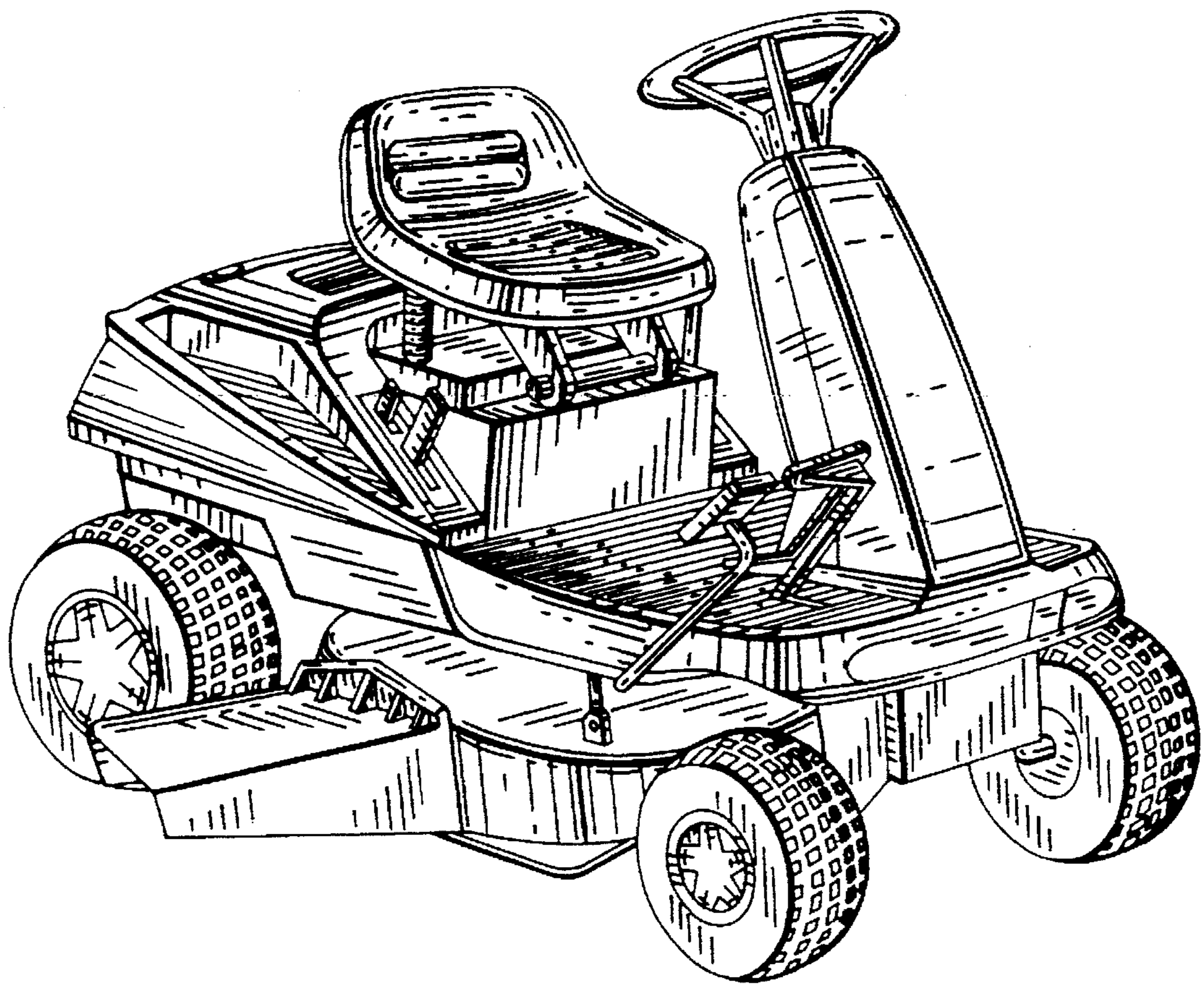


Fig. 7

