



US00D365348S

# United States Patent [19]

Card et al.

[11] Patent Number: **Des. 365,348**

[45] Date of Patent: **\*\*Dec. 19, 1995**

[54] TELECOMMUNICATION SYSTEM ENCLOSURE

[75] Inventors: **Stuart L. Card**, Gilbert, Ariz.; **Albert L. Nagele**, Wilmette, Ill.; **Theodore Harp, III**, Scottsdale, Ariz.

[73] Assignee: **Motorola, Inc.**, Schaumburg, Ill.

[\*\*] Term: **14 Years**

[21] Appl. No.: **29,175**

[22] Filed: **Sep. 29, 1994**

[52] U.S. Cl. .... **D14/240**; D13/184

[58] Field of Search ..... D14/100, 107, D14/114, 149, 137, 138, 140, 142, 240, 241, 141; D13/184; 361/600, 622, 724, 679, 726; 379/419, 440, 428, 441, 328, 330

[56] **References Cited**

**U.S. PATENT DOCUMENTS**

- D. 276,234 11/1984 Banks et al. .... D14/107
- D. 281,315 11/1985 Kjeld ..... D14/240 X

- D. 285,680 9/1986 Cederberg ..... D14/241
- D. 287,974 1/1987 Davis et al. .... D14/114
- D. 295,512 5/1988 Becraft et al. .... D14/241
- D. 303,664 9/1989 Harden et al. .... D13/184 X
- D. 316,707 5/1991 Allgeier ..... D14/107
- D. 321,348 11/1991 Harden et al. .... D14/141
- D. 332,603 1/1993 Rumbles ..... D13/184
- D. 356,302 3/1995 Studebaker et al. .... D14/107

*Primary Examiner*—Jeffrey Asch  
*Attorney, Agent, or Firm*—Frank J. Bogacz

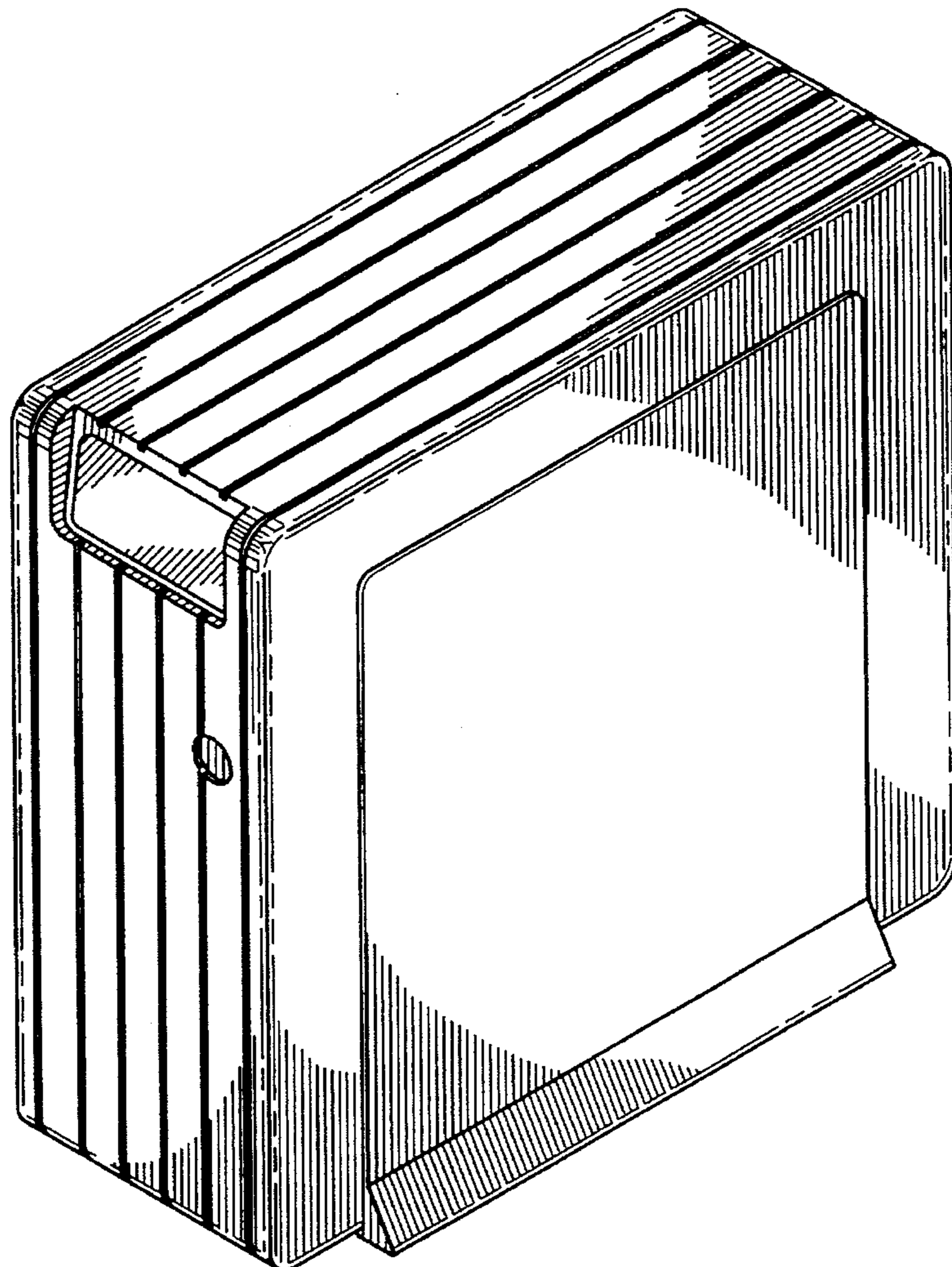
[57] **CLAIM**

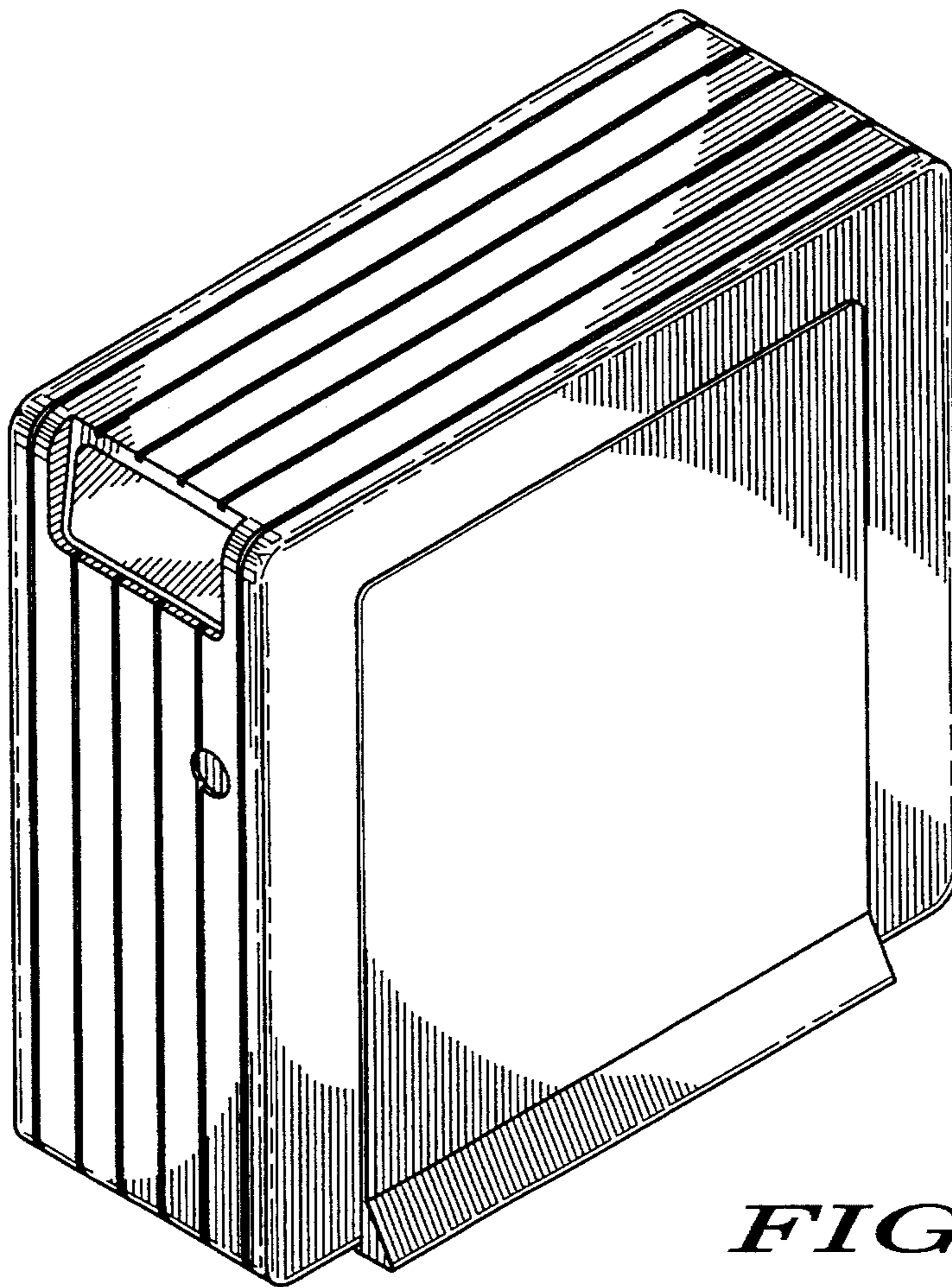
The ornamental design for the telecommunication system enclosure, as shown and described.

**DESCRIPTION**

FIG. 1 is a front, top, and right side view showing our new design for a telecommunication system enclosure; FIG. 2 is a left side elevational view thereof; FIG. 3 is a rear elevational view thereof; and, FIG. 4 is a bottom elevational view thereof. The broken lines of FIG. 3 are for illustrative purposes only and form no part of the claimed design.

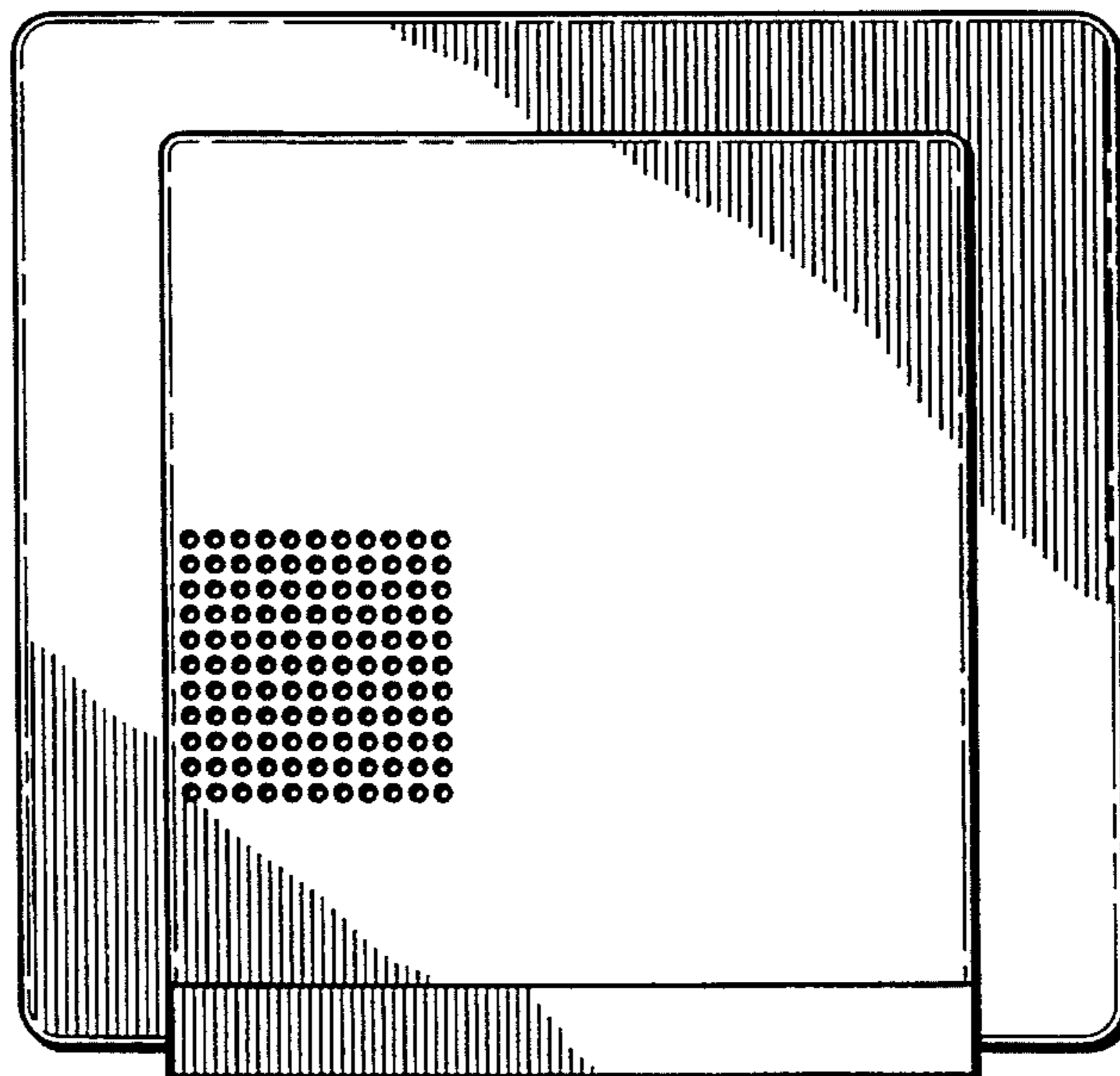
**1 Claim, 2 Drawing Sheets**

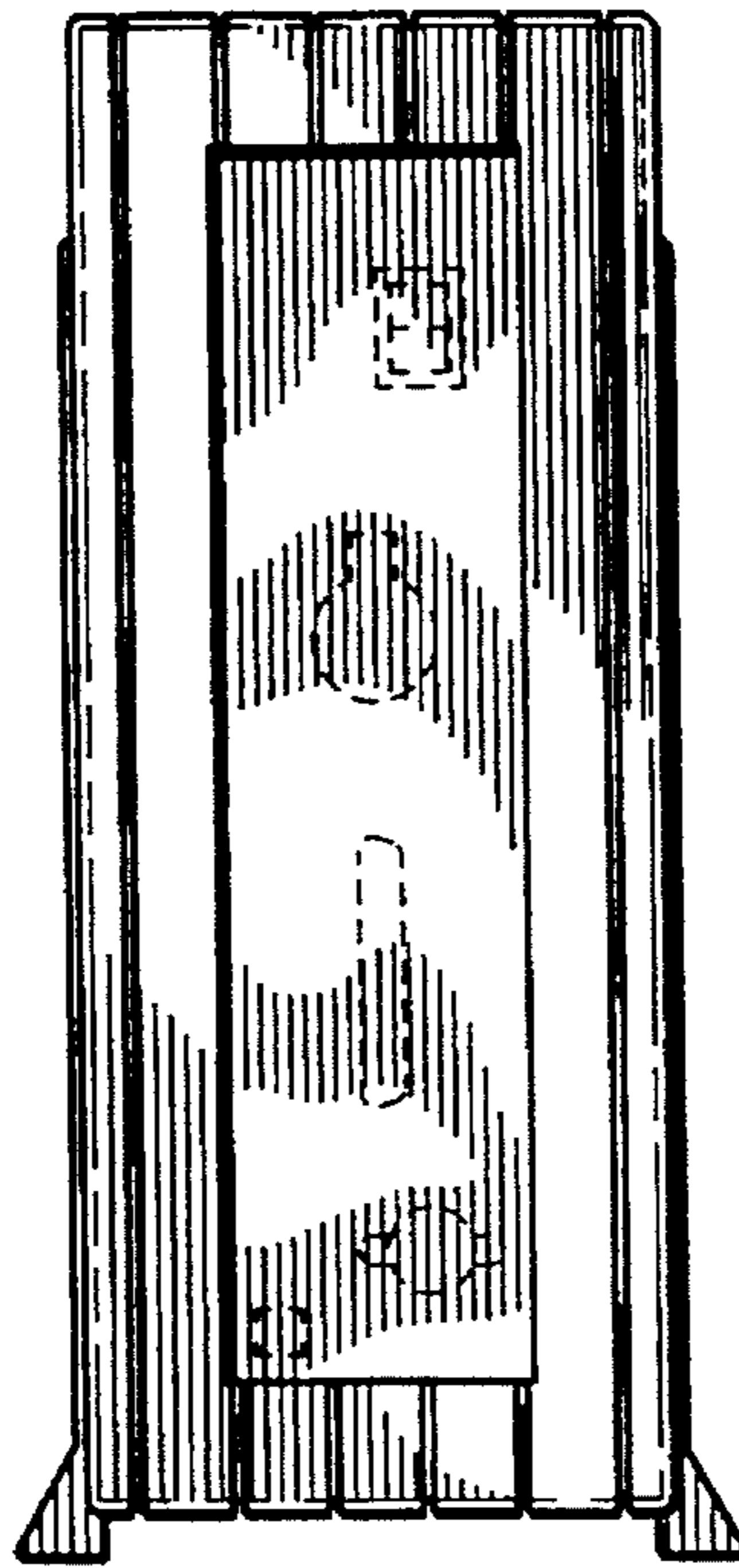




*FIG. 1*

*FIG. 2*





*FIG. 3*

*FIG. 4*

