



US00D365344S

# United States Patent [19]

[11] Patent Number: **Des. 365,344**

Schoettle et al.

[45] Date of Patent: **\*\*Dec. 19, 1995**

[54] **MAGNETIC TAPE CASSETTE**

[75] Inventors: **Klaus Schoettle**, Heidelberg; **Joachim Eberhard**, Kippenheim; **Kurt Schmidts**, Schwanau; **Bozidar Pavelka**, Willstaett, all of Germany

[73] Assignee: **BASF Aktiengesellschaft**, Ludwigshafen, Germany

[\*\*] Term: **14 Years**

[21] Appl. No.: **24,601**

[22] Filed: **Jun. 17, 1994**

### Related U.S. Application Data

[62] Division of Ser. No. 13,020, Sep. 16, 1993, Pat. No. Des. 356,307, which is a division of Ser. No. 728,065, Jul. 10, 1991, Pat. No. Des. 348,262.

### [30] Foreign Application Priority Data

Mar. 25, 1991 [WO] WIPO ..... DM/19214

[52] U.S. Cl. .... **D14/121**

[58] Field of Search ..... D14/120-123, D14/299; 242/342-345, 345.1-345.3, 346, 346.2; 273/DIG. 28

### [56] References Cited

#### U.S. PATENT DOCUMENTS

D. 308,866	6/1990	Kinoshita et al. ....	D14/121
4,011,592	3/1977	Kawada .....	242/346.2 X
4,964,588	10/1990	Hoffrichter et al. ....	242/347 X
5,279,418	1/1994	Wheatley .....	206/387.1

#### FOREIGN PATENT DOCUMENTS

2246071 10/1990 Japan ..... 242/347

*Primary Examiner*—Ted Shooman

*Assistant Examiner*—Nanda Bondade

*Attorney, Agent, or Firm*—Keil & Weinkauff

### [57] CLAIM

The ornamental design for a magnetic tape cassette, as shown and described.

### DESCRIPTION

FIG. 1 is a front, top and right side perspective view of a magnetic tape cassette showing our new design with a detachable front part removed;

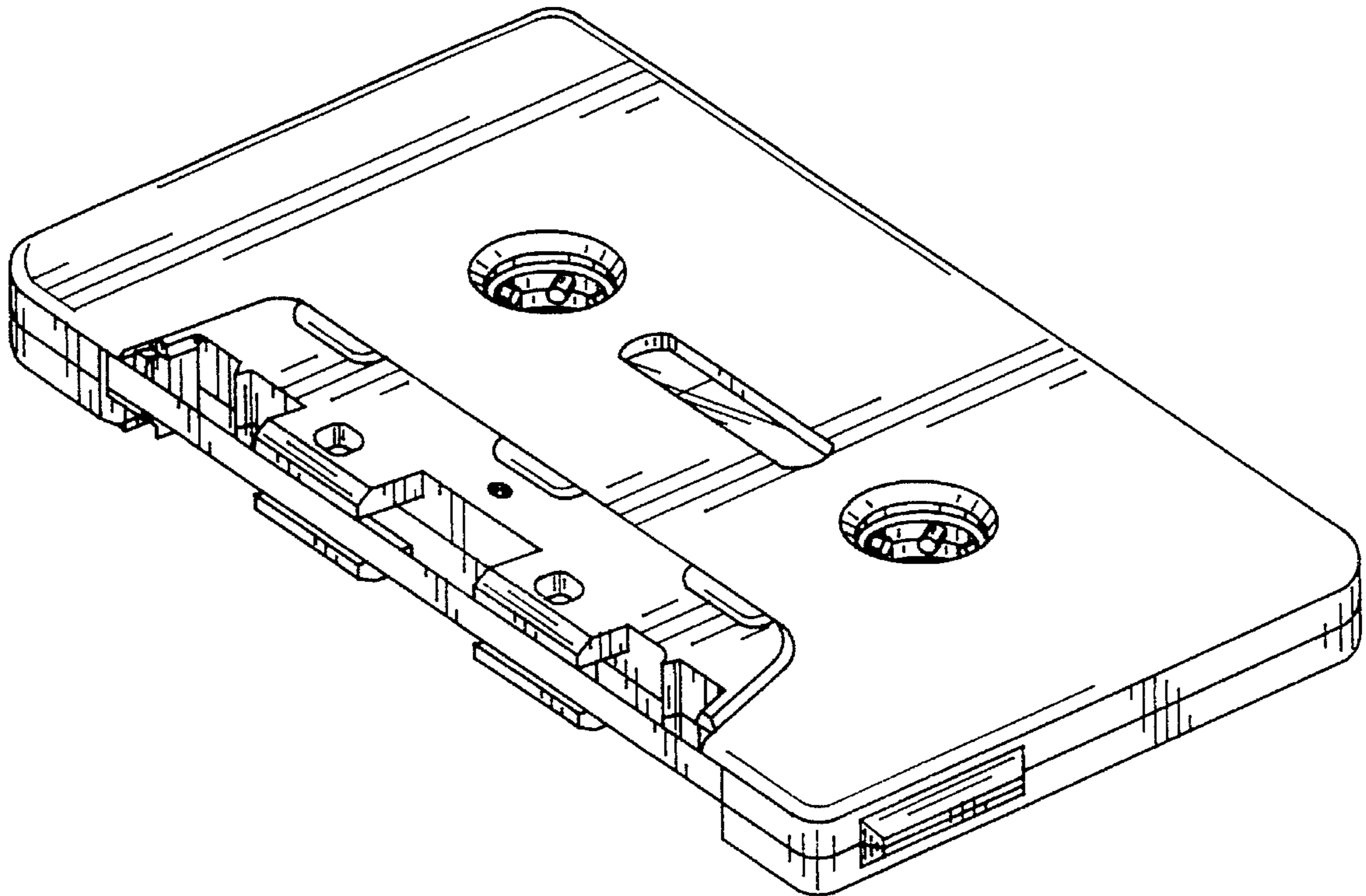
FIG. 2 is a bottom plan view thereof;

FIG. 3 is a front elevational view thereof;

FIG. 4 is a left side elevational view thereof; and,

FIG. 5 is an enlarged rear elevational view thereof.

**1 Claim, 2 Drawing Sheets**



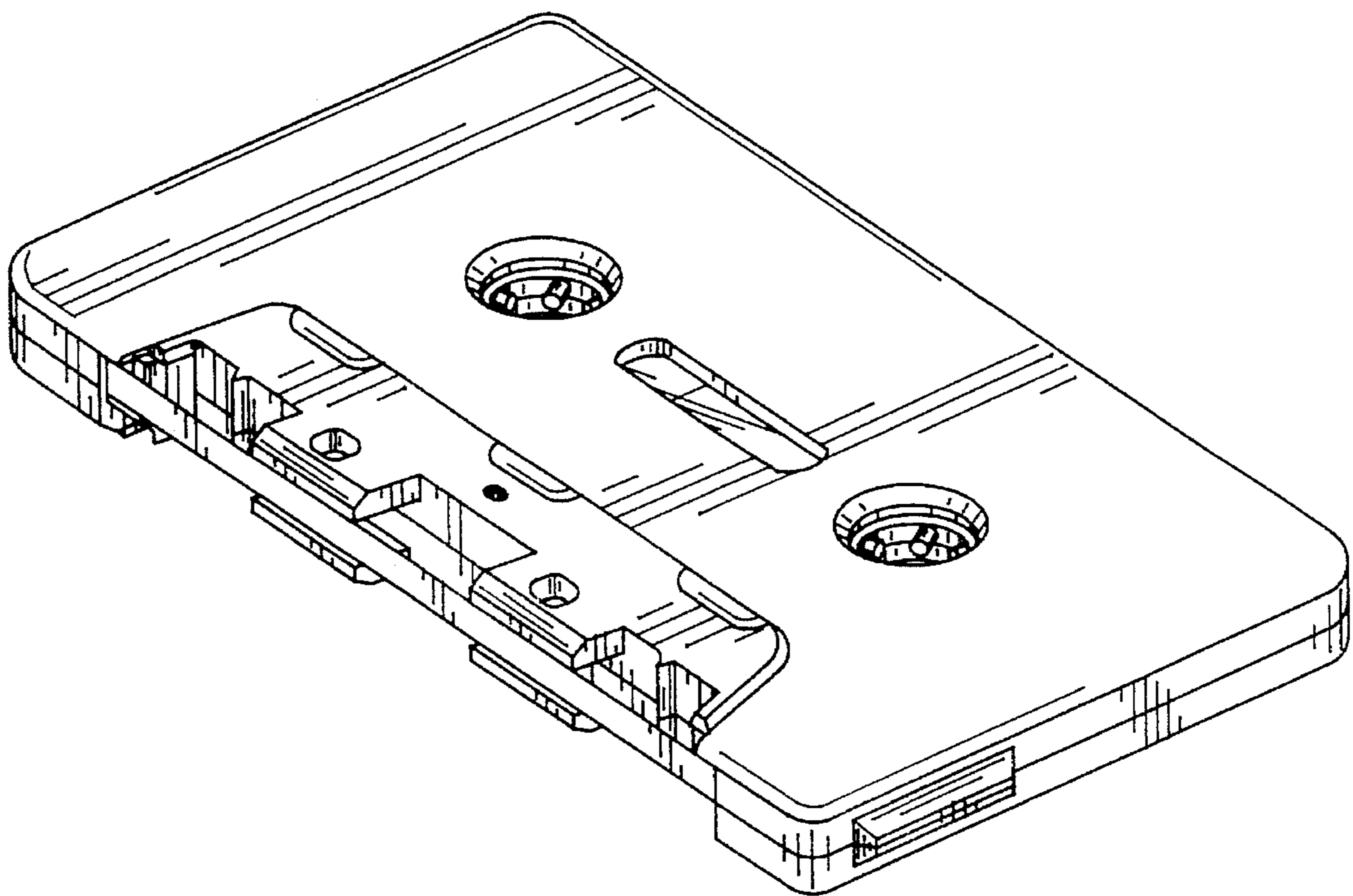


FIG. 1

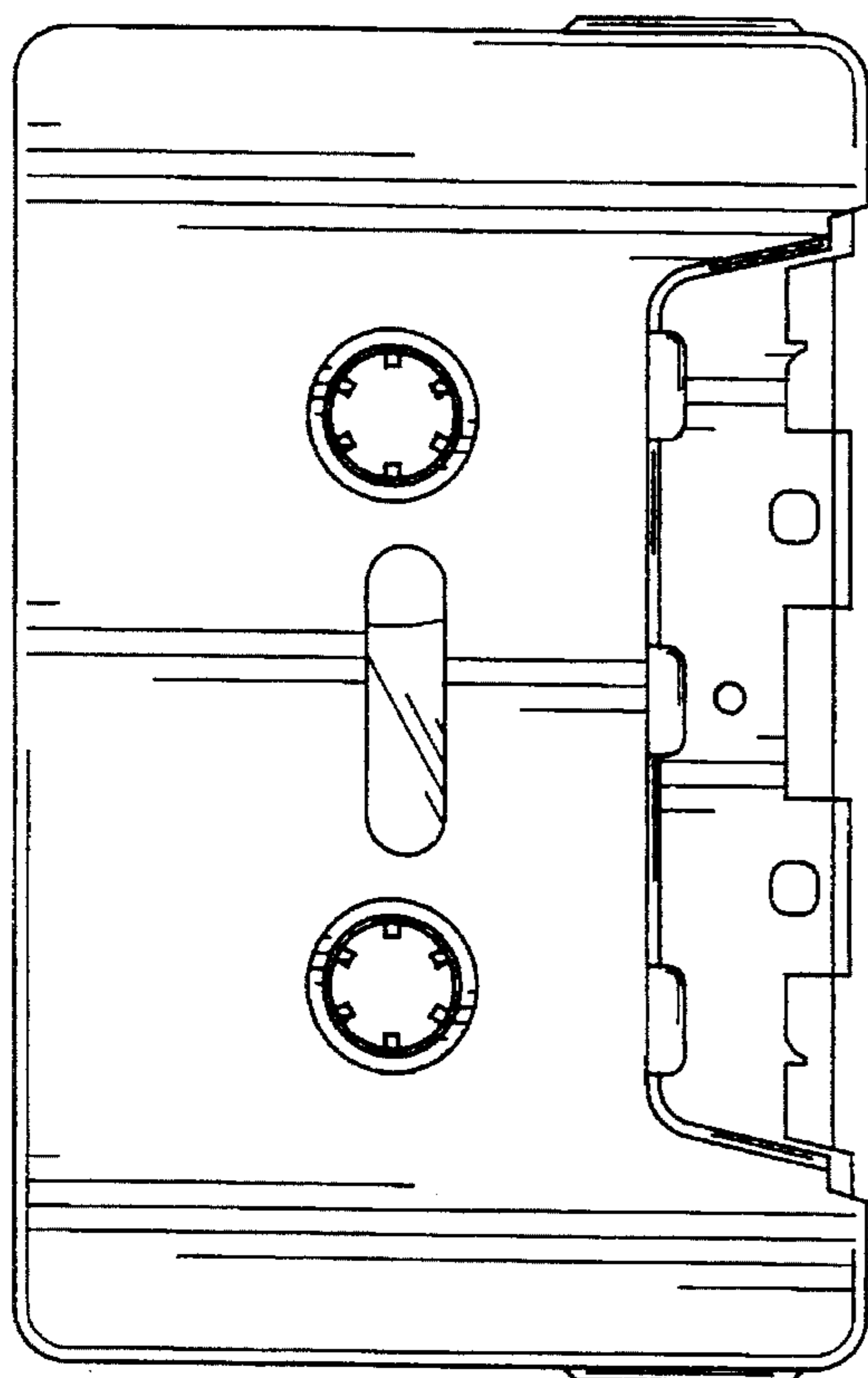


FIG. 2



FIG. 4

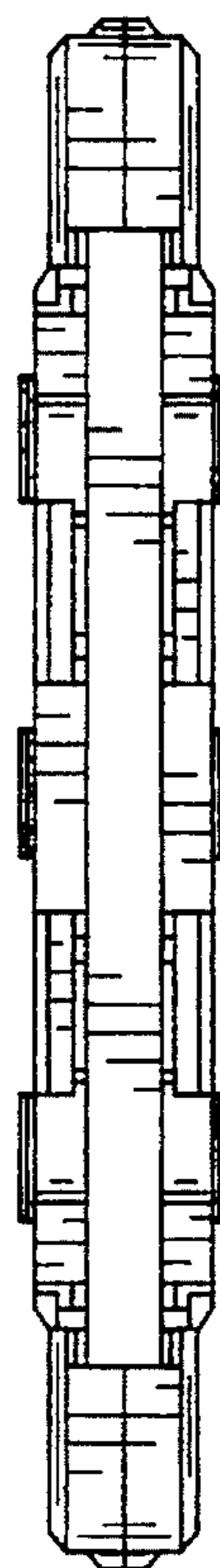


FIG. 3

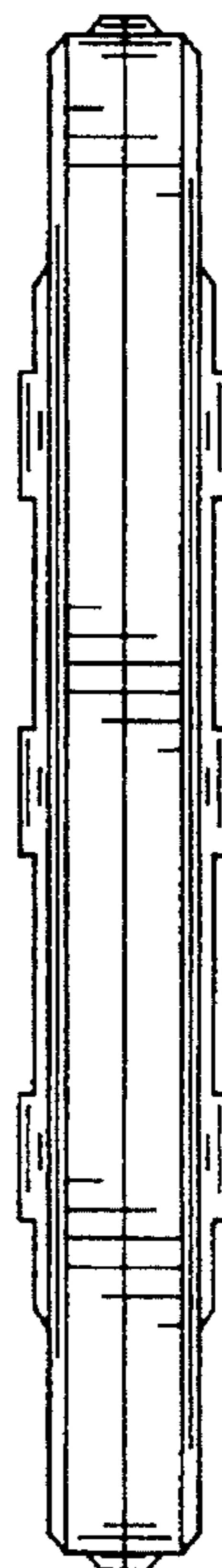


FIG. 5