



US00D365343S

# United States Patent [19]

Omino

[11] Patent Number: Des. 365,343

[45] Date of Patent: \*\*Dec. 19, 1995

[54] FACSIMILE

[75] Inventor: Seiichi Omino, Kawaguchi, Japan

[73] Assignee: Canon Kabushiki Kaisha, Tokyo, Japan

[\*\*] Term: 14 Years

[21] Appl. No.: 25,043

[22] Filed: Jun. 27, 1994

### [30] Foreign Application Priority Data

Dec. 29, 1993 [JP] Japan ..... 5-40035

[52] U.S. Cl. .... D14/118

[58] Field of Search ..... D14/116, 118, D14/124, 299; D18/36, 37; 358/400, 401

### [56] References Cited

#### U.S. PATENT DOCUMENTS

D. 265,096	6/1982	Masaki	.....	D16/31
D. 268,581	4/1983	Kikuchi	.....	D14/94
D. 268,582	4/1983	Kikuchi	.....	D14/94
D. 282,842	3/1986	Yomo	.....	D14/94
D. 287,364	12/1986	Kando	.....	D14/94
D. 293,574	1/1988	Kando et al.	.....	D14/94
D. 293,673	1/1988	Nishio	.....	D14/94
D. 294,703	3/1988	Kando	.....	D14/94
D. 295,284	4/1988	Kando	.....	D14/94
D. 300,136	3/1989	Kando et al.	.....	D14/118
D. 312,079	11/1990	Komatsu	.....	D14/118
D. 312,252	11/1990	Nishio et al.	.....	D14/118
D. 328,600	8/1992	Yomo	.....	D14/118
D. 331,402	12/1992	Komatsu	.....	D14/118
D. 338,196	8/1993	Takeuchi	.....	D14/118

D. 338,197	8/1993	Miyazawa et al.	.....	D14/118
D. 338,666	8/1993	Miyazawa	.....	D14/118
D. 344,077	2/1994	Inukai et al.	.....	D14/118
D. 344,078	2/1994	Inukai et al.	.....	D14/118
D. 344,079	2/1994	Inukai et al.	.....	D14/118
D. 344,080	2/1994	Omino	.....	D14/118
D. 346,163	4/1994	Sowden	.....	D14/118
4,872,061	10/1989	Uchiyama	.....	358/400
5,172,243	12/1992	Hayashi et al.	.....	358/400
5,183,431	2/1993	Todokoro	.....	D14/118 X
5,337,165	8/1994	Riousset et al.	.....	358/401 X

#### OTHER PUBLICATIONS

Soft Warehouse, The Computer Superstore 1989-1990, p. 34.

Radio Shack, 1991 Catalog, p. 4.

Primary Examiner—Prabhakar G. Deshmukh  
Attorney, Agent, or Firm—Fitzpatrick, Cella, Harper & Scinto

### [57] CLAIM

The ornamental design for a facsimile, as shown and described.

### DESCRIPTION

FIG. 1 is a front elevational view of a facsimile showing my new design;  
FIG. 2 is a rear elevational view thereof;  
FIG. 3 is a right side elevational view thereof;  
FIG. 4 is a top plan view thereof;  
FIG. 5 is a bottom plan view thereof;  
FIG. 6 is a left side elevational view thereof; and,  
FIG. 7 is a perspective view thereof.

1 Claim, 3 Drawing Sheets

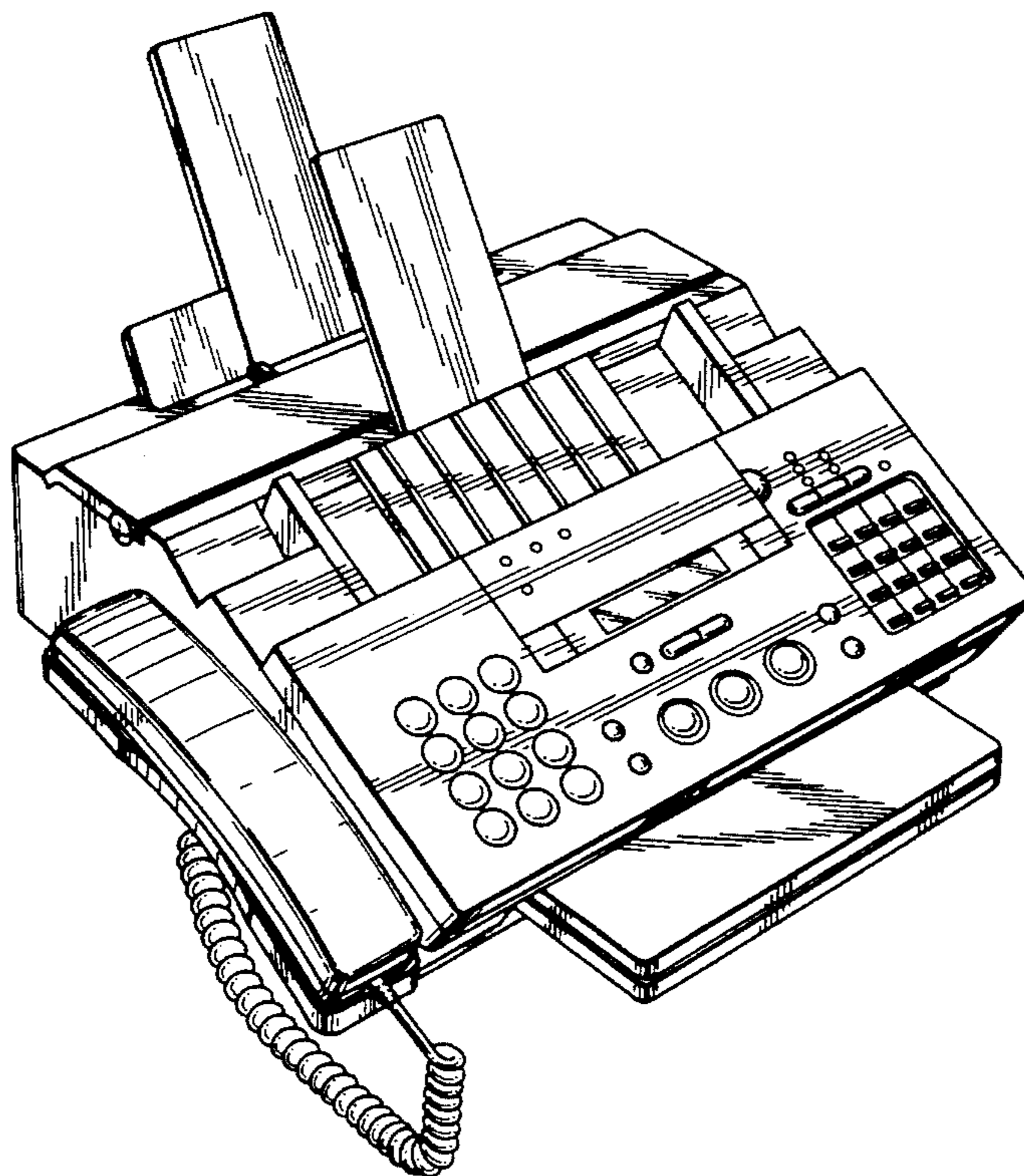


FIG. 1

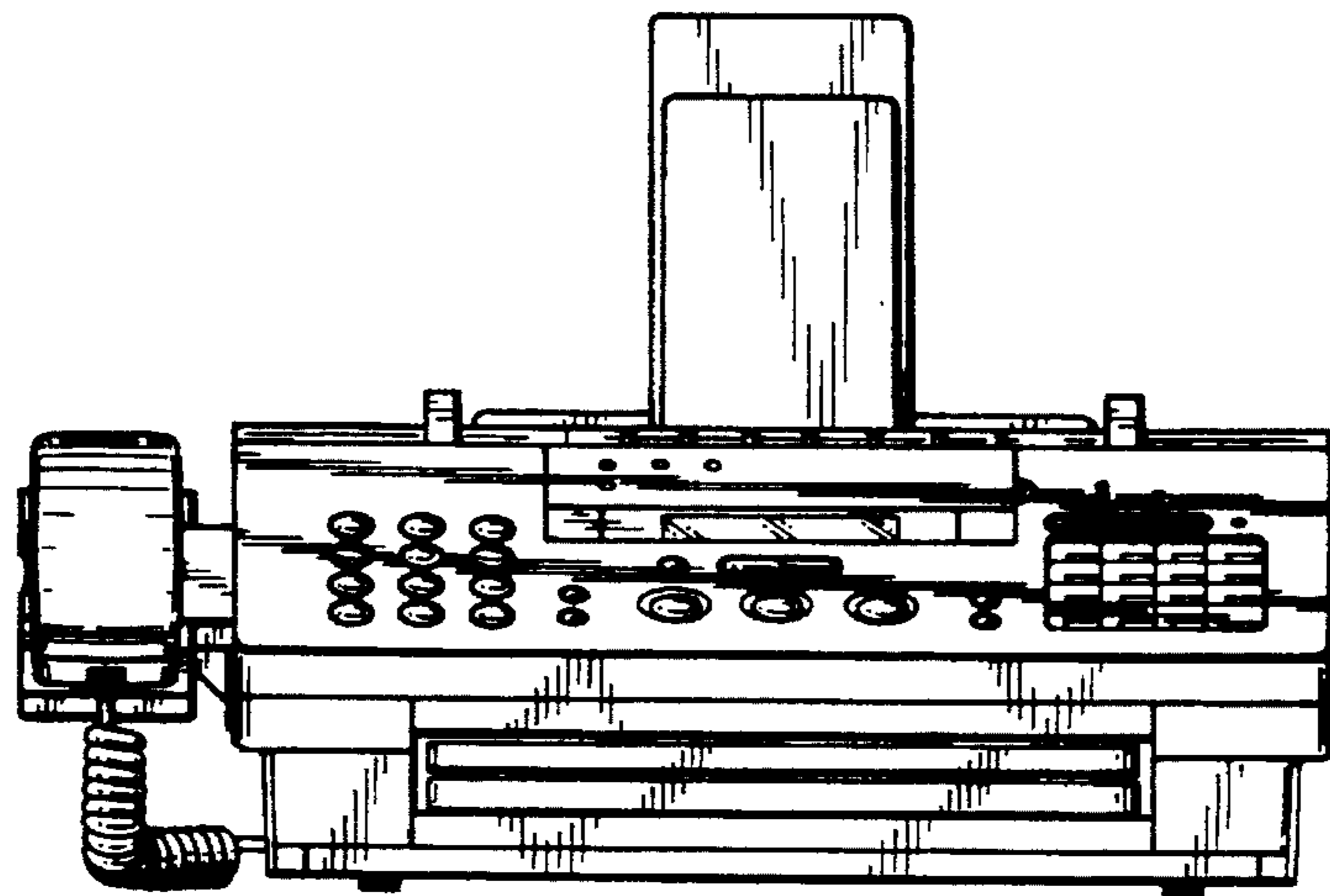


FIG. 2

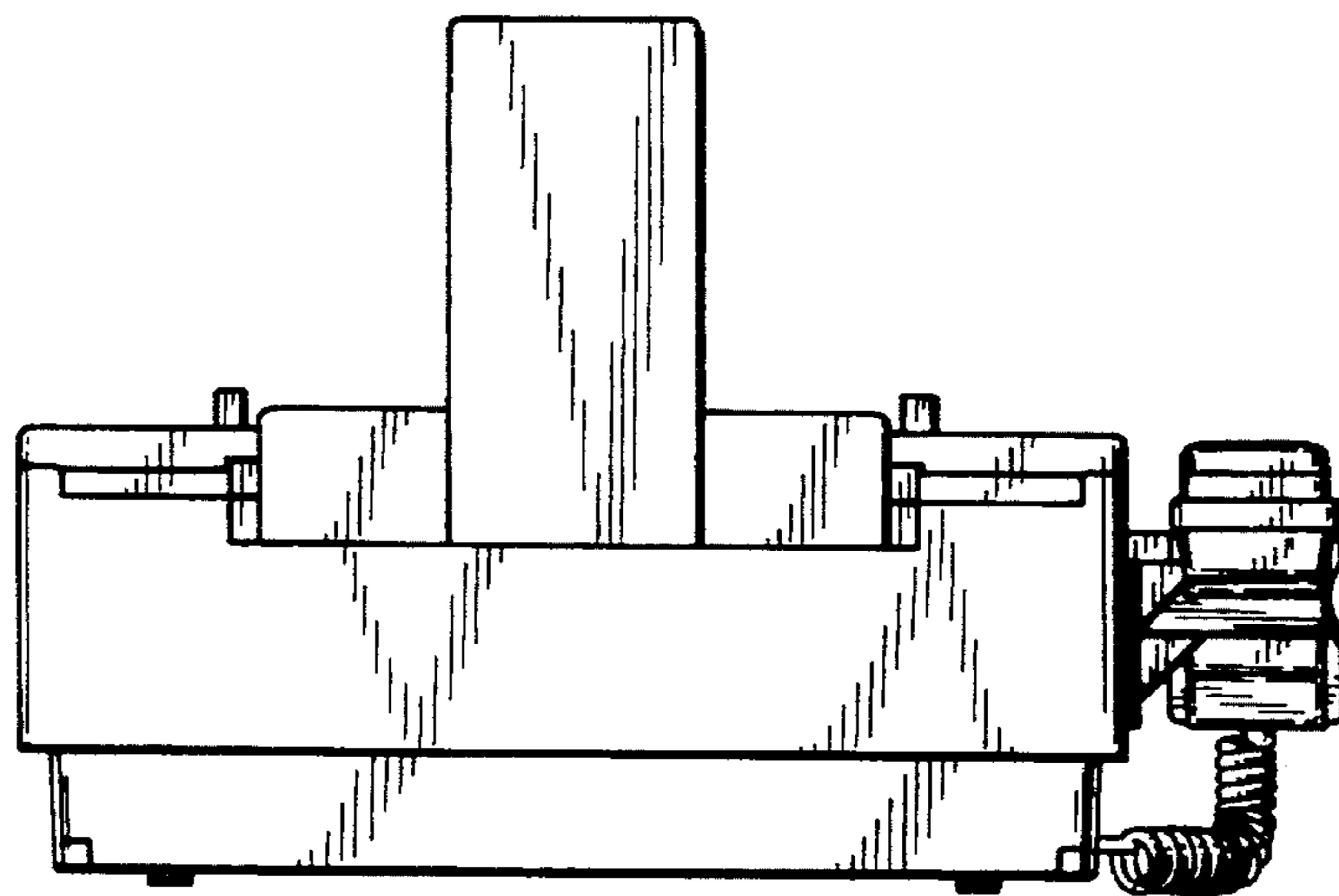


FIG. 3

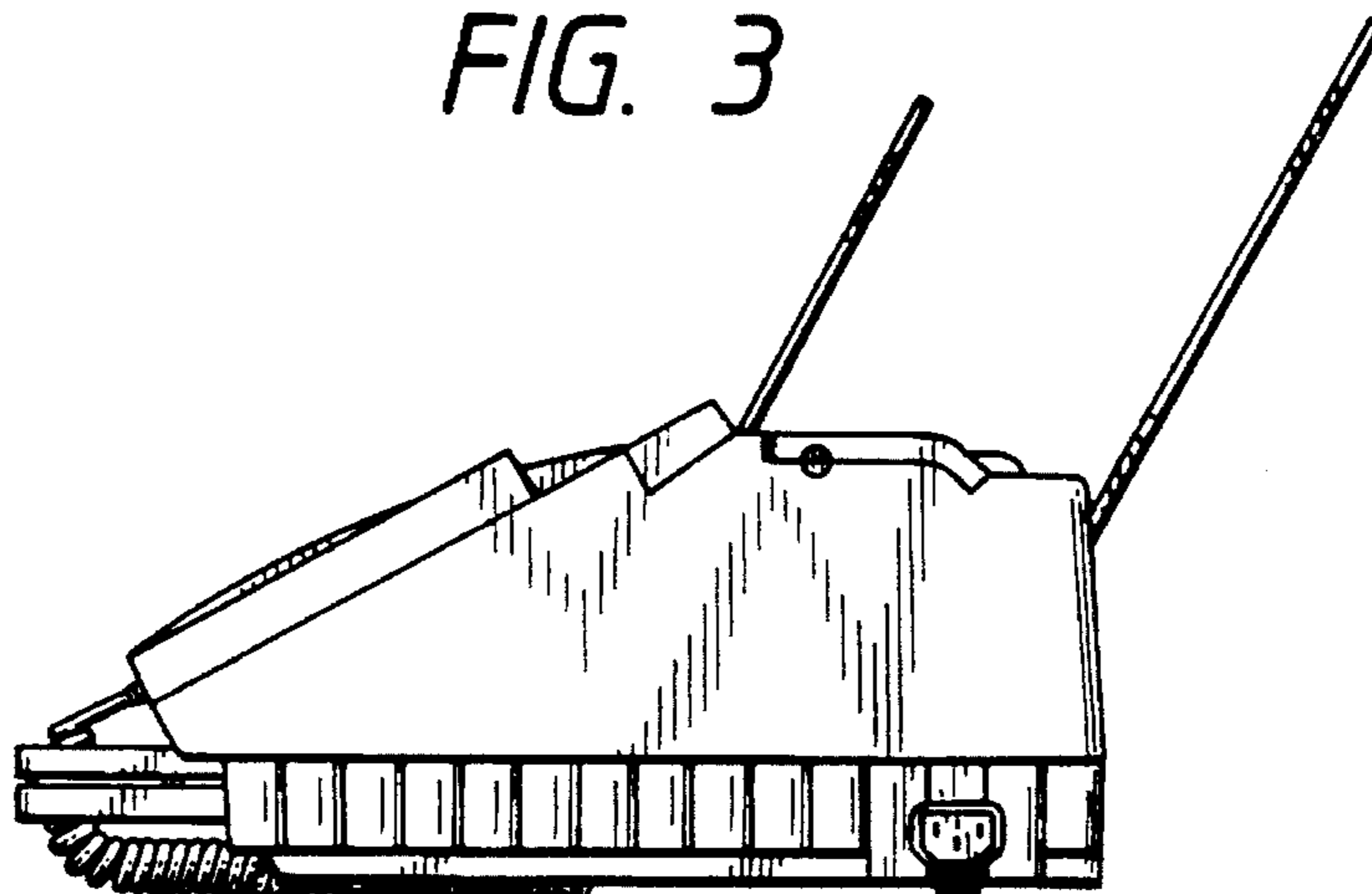


FIG. 4

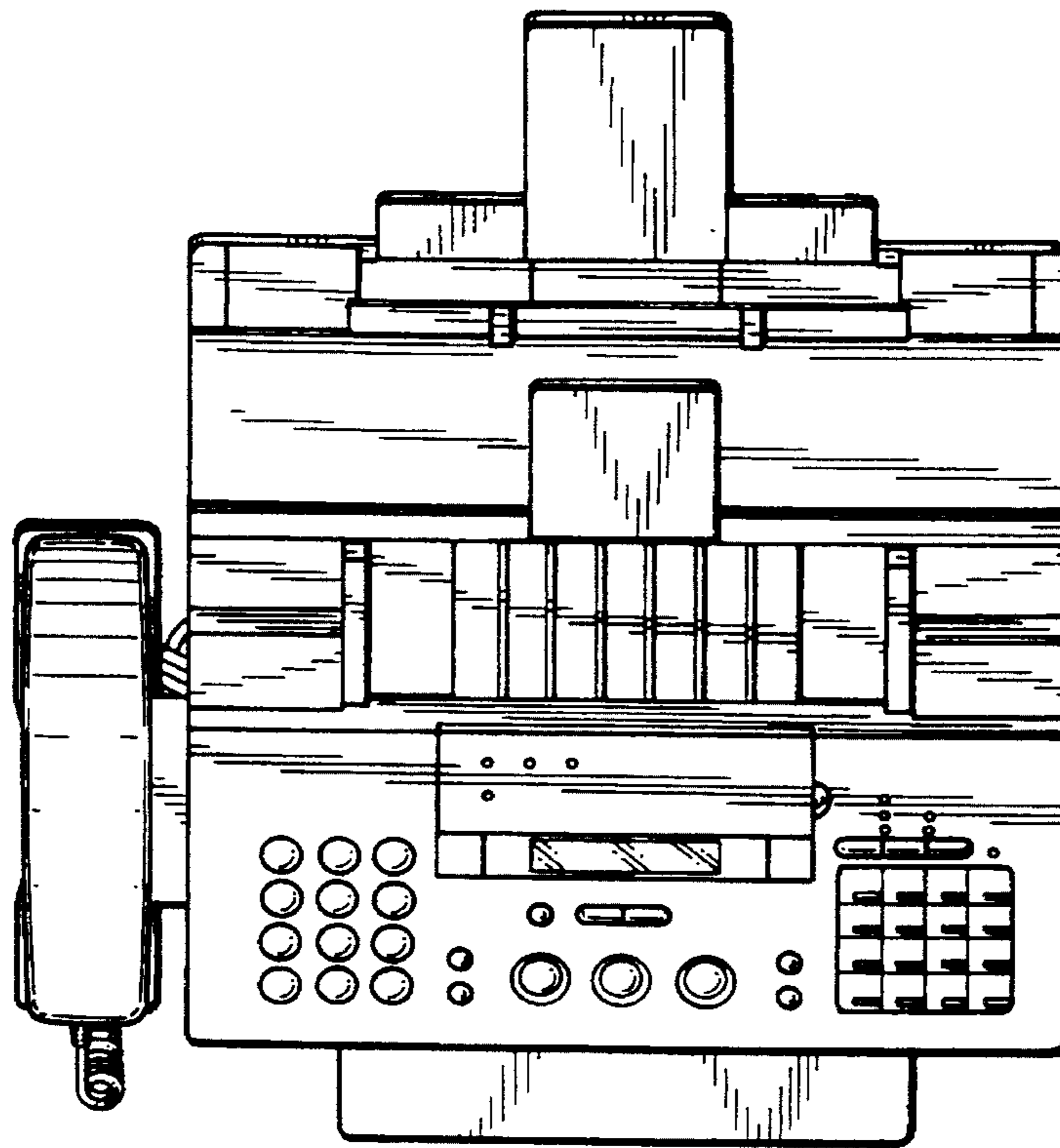


FIG. 5

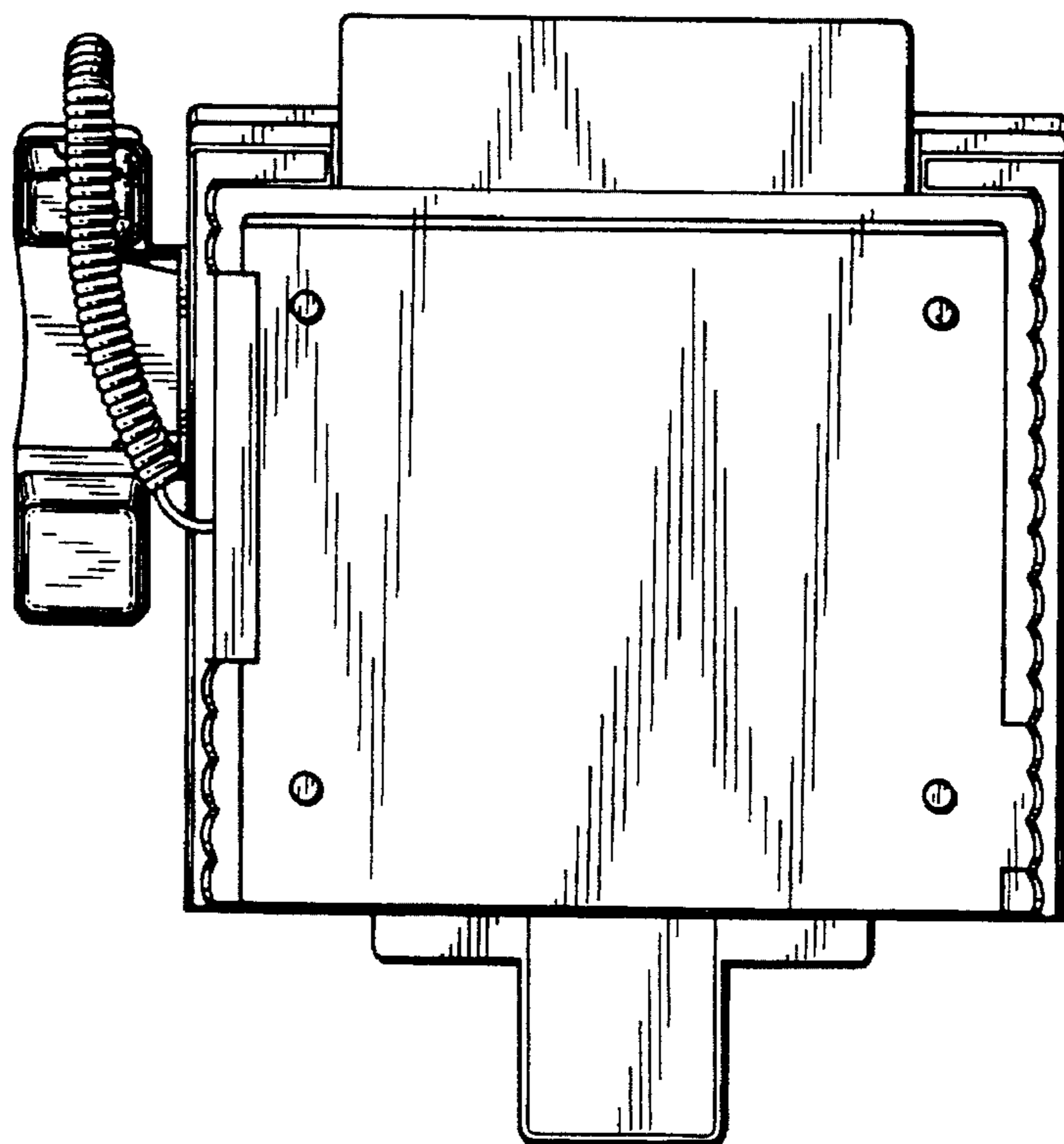


FIG. 6

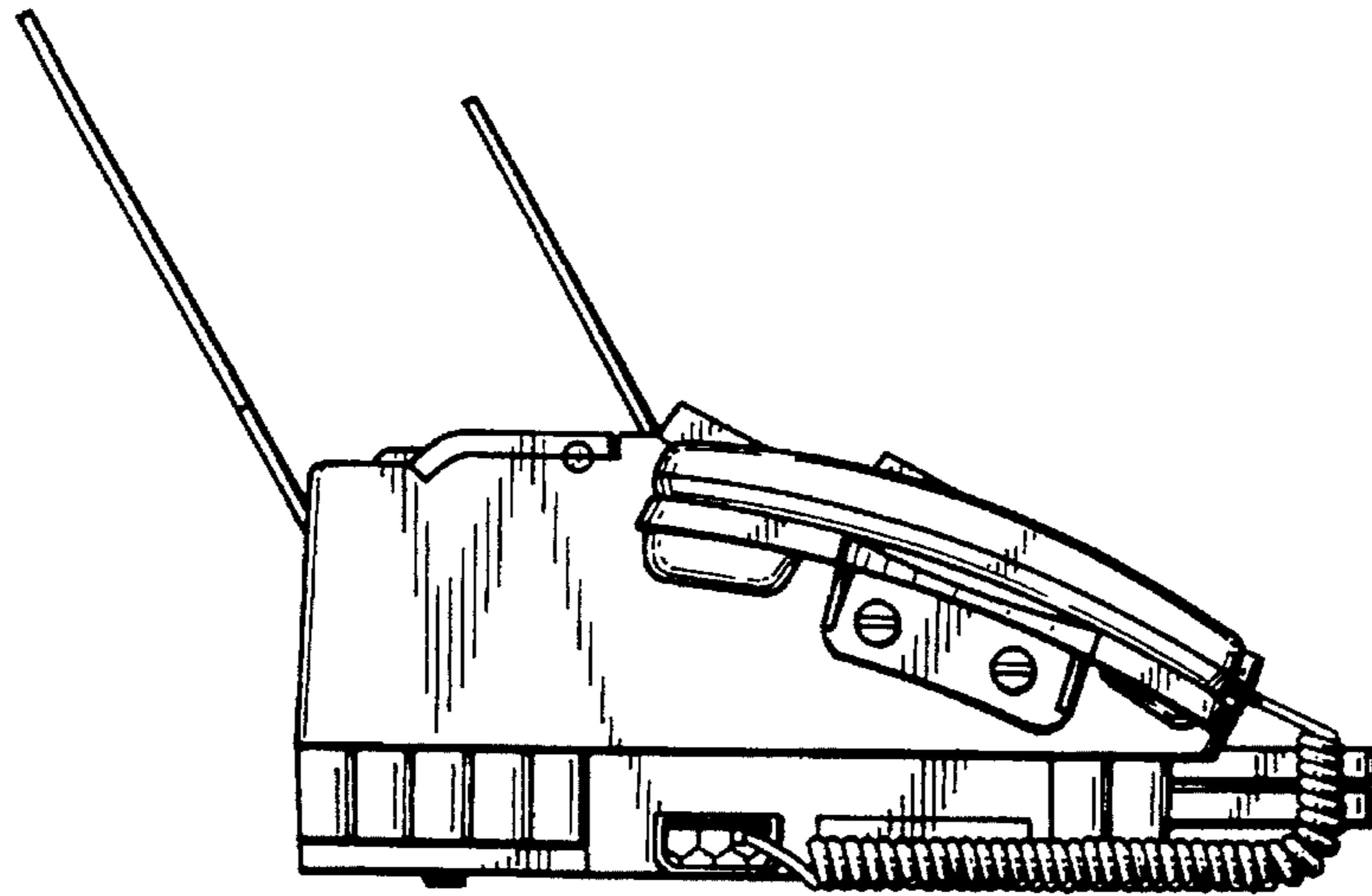


FIG. 7

