



US00D365341S

United States Patent [19]
Chen

[11] **Patent Number: Des. 365,341**
[45] **Date of Patent: **Dec. 19, 1995**

[54] **VISUAL IMAGE SCANNER COVER**

[75] Inventor: **Hsi-Chin Chen**, Hsinchu, Taiwan

[73] Assignee: **Umax Data System Inc.**, Taiwan

[**] Term: **14 Years**

[21] Appl. No.: **25,302**

[22] Filed: **Jun. 29, 1994**

[52] U.S. Cl. **D4/114**

[58] Field of Search D14/100, 107,
D14/105, 116, 114; D18/36, 54; 235/375,
377-378, 379-380, 454, 385, 462, 472,
486; 250/566, 568

[56] **References Cited**

U.S. PATENT DOCUMENTS

D. 303,660	9/1989	Yamagiwa et al.	D14/107
D. 318,654	7/1991	Huang	D14/107
D. 342,492	12/1993	Wang	D14/116
D. 348,059	6/1994	Chen	D14/116

D. 350,733	9/1994	Masujima	D14/107
D. 350,950	9/1994	Liu	D14/116
5,173,789	12/1992	Renner et al.	D14/116 X

Primary Examiner—Melanie H. Tung
Attorney, Agent, or Firm—Beveridge, DeGrandi, Weilacher & Young

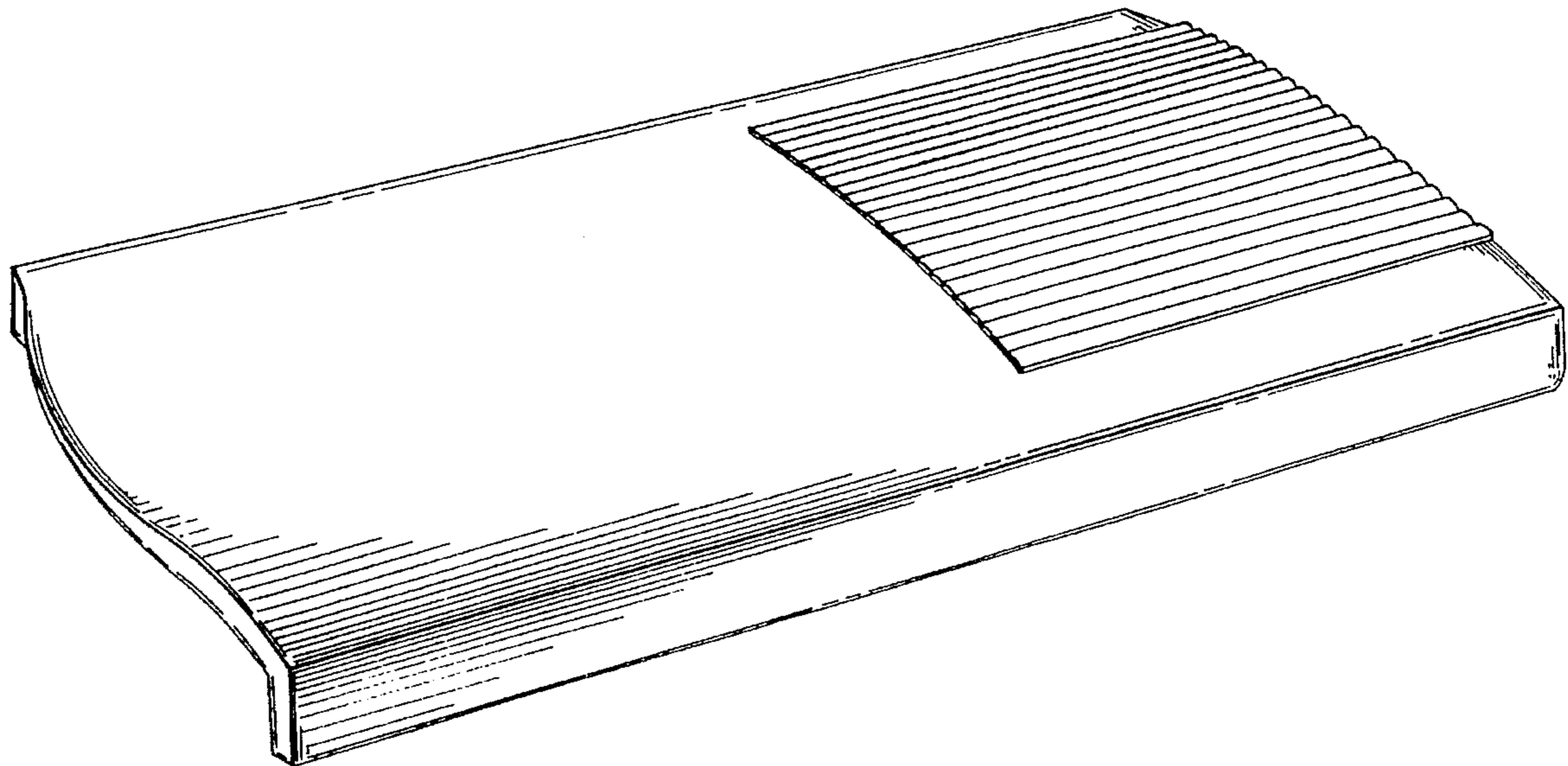
[57] **CLAIM**

The ornamental design for a visual image scanner cover, as shown.

DESCRIPTION

FIG. 1 is a front elevational view of the visual image scanner cover according to my invention;
FIG. 2 is a rear elevational view thereof;
FIG. 3 is a top view thereof;
FIG. 4 is a bottom view;
FIG. 5 is a leftside elevational view thereof;
FIG. 6 is a rightside elevational view thereof; and,
FIG. 7 is a perspective view thereof.

1 Claim, 4 Drawing Sheets



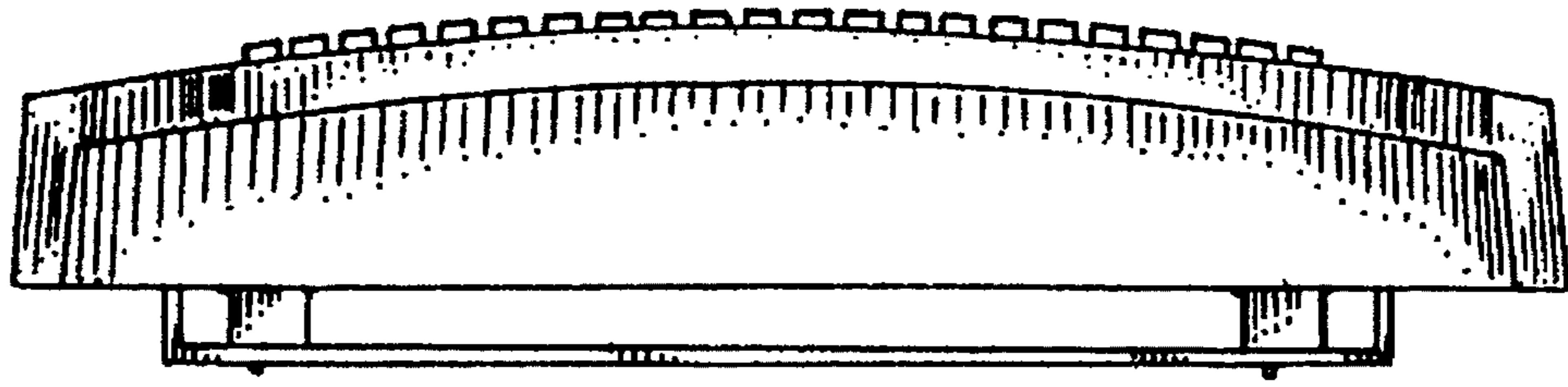


FIG. 1

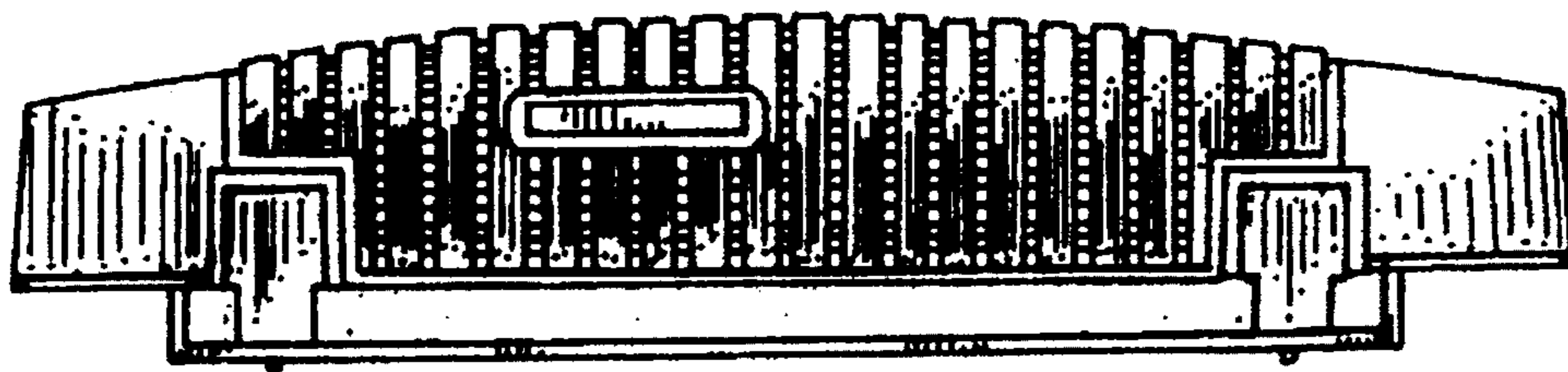


FIG. 2

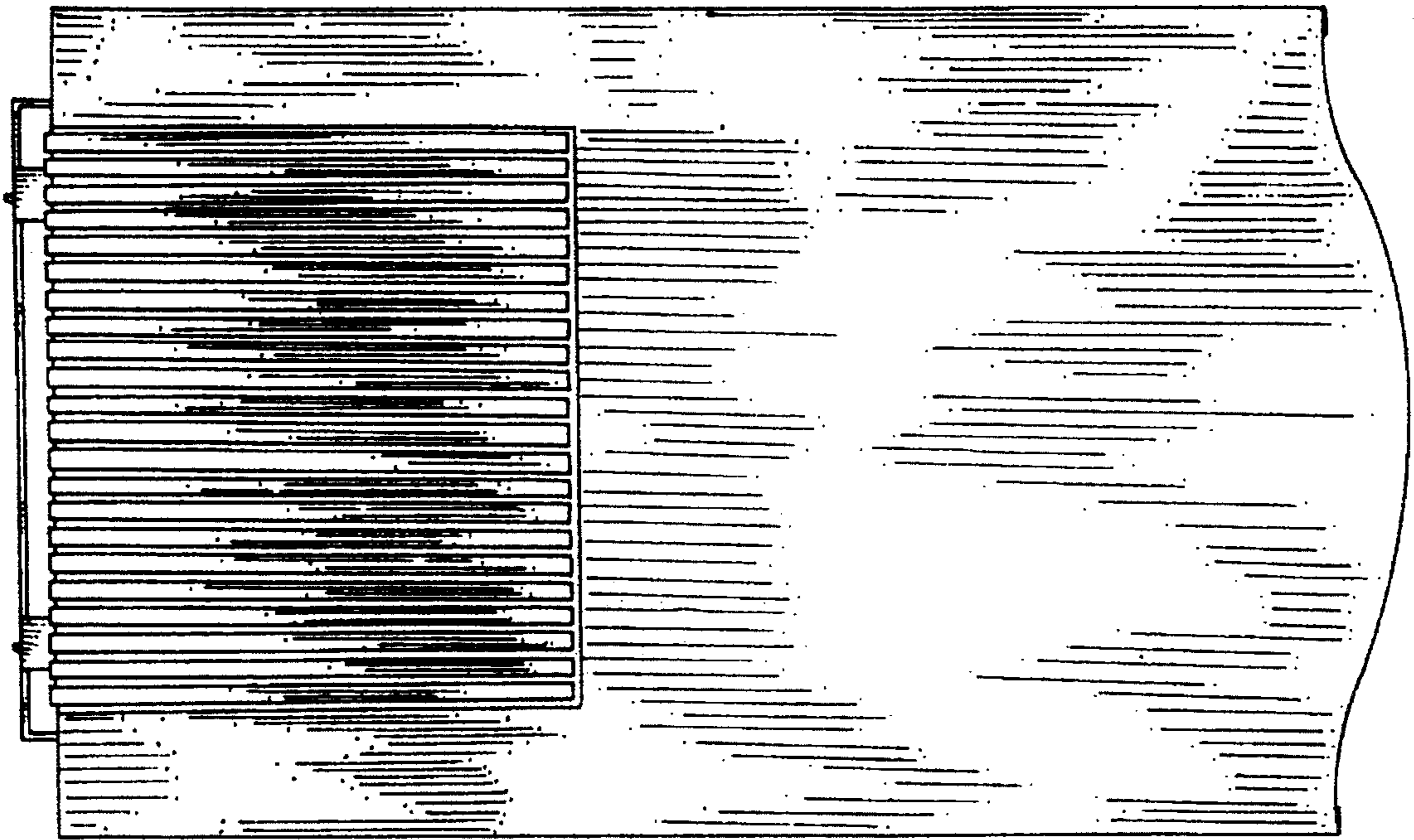


FIG. 3

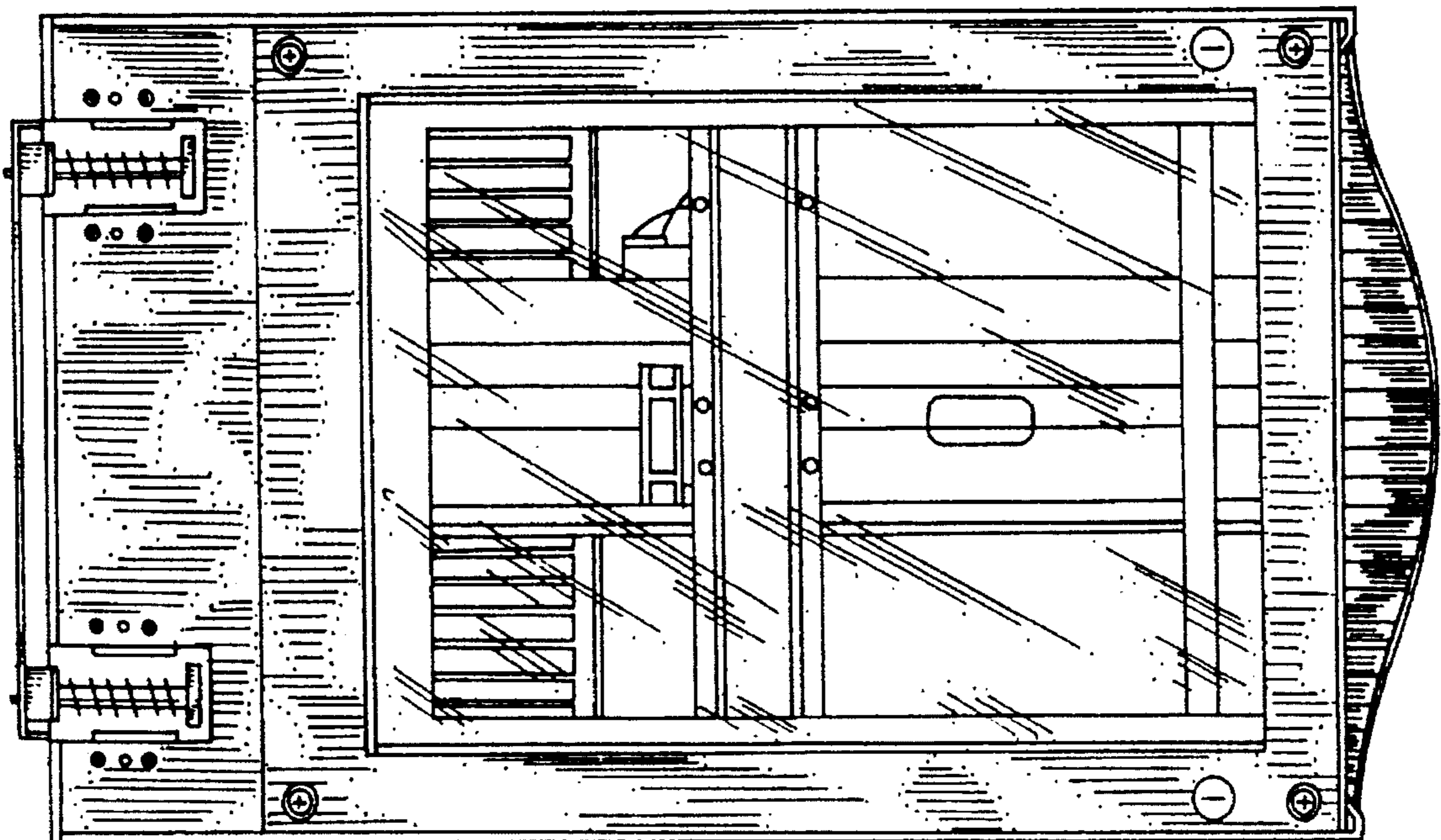


FIG. 4

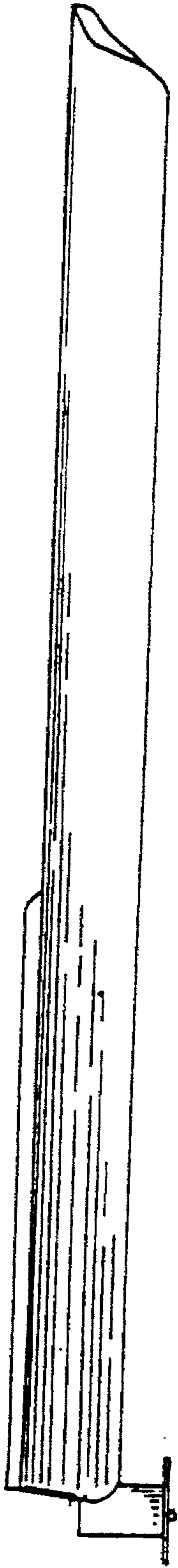


FIG. 5

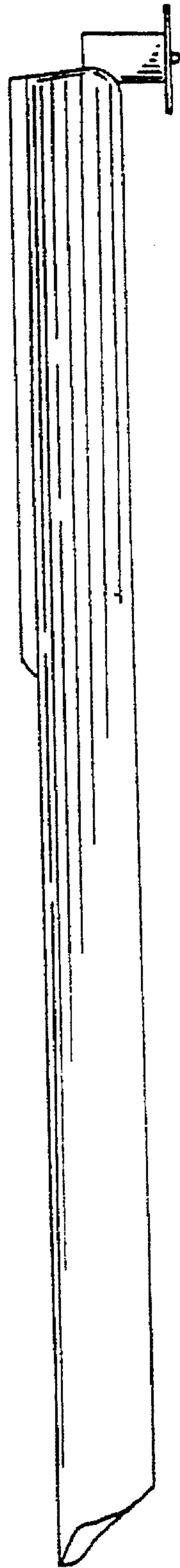


FIG. 6

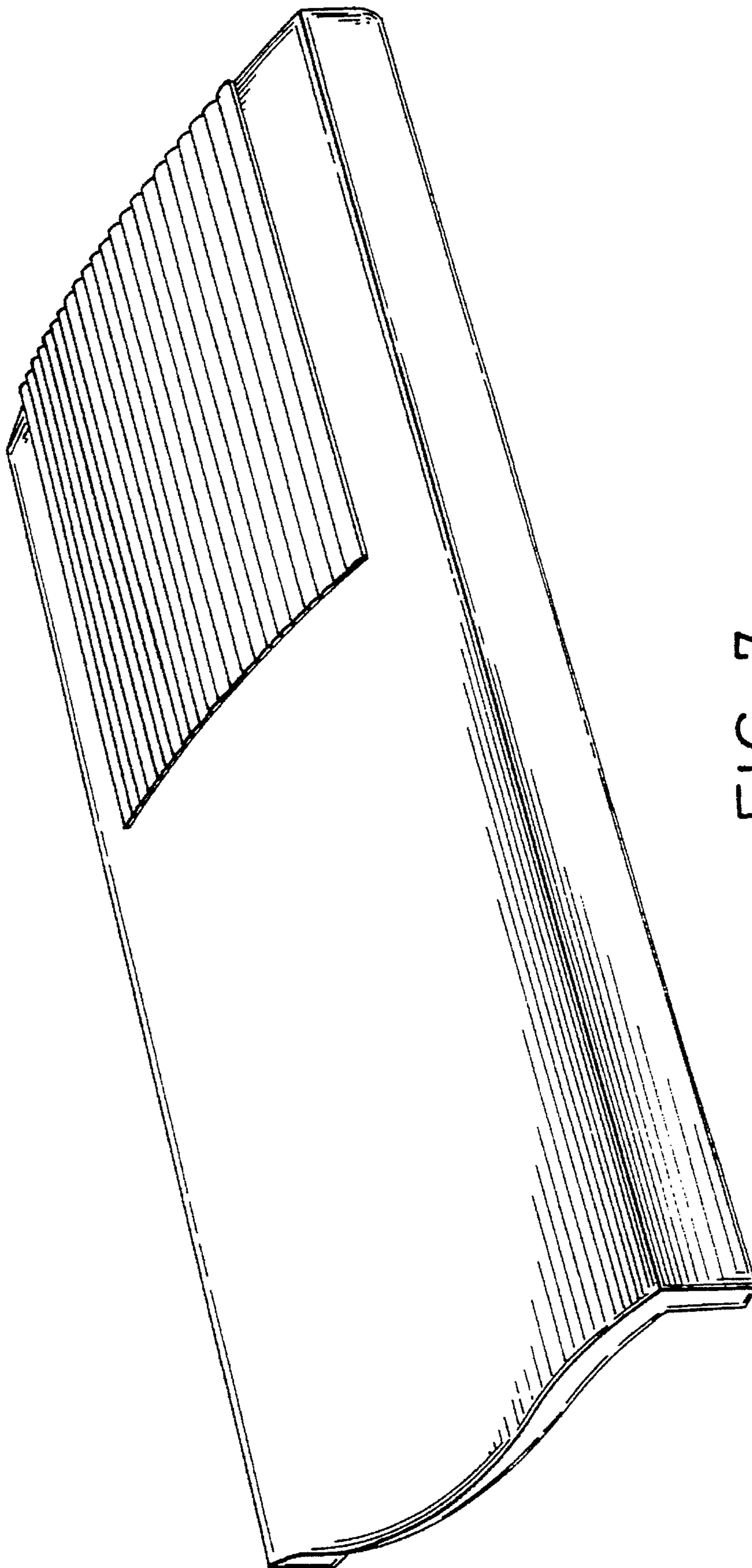


FIG. 7