



US00D365340S

United States Patent [19]
Hill et al.

[11] **Patent Number: Des. 365,340**
[45] **Date of Patent: **Dec. 19, 1995**

[54] **ELECTRONIC KEY FOR A DATA PROCESSING SYSTEM**
[75] Inventors: **David W. Hill; Tim K. Murphy**, both of Rochester, Minn.
[73] Assignee: **International Business Machines Corporation**, New York, N.Y.
[**] Term: **14 Years**
[21] Appl. No.: **22,316**
[22] Filed: **May 3, 1994**
[52] U.S. Cl. **D14/114; D8/347**
[58] **Field of Search** **D8/347; D14/114; 70/405, 408, 283; 235/443; 361/171-172; 340/287, 301-302, 855.5, 855.4**

D. 302,238 7/1989 Kopu D8/347
D. 322,387 12/1991 Bailey D8/347
D. 345,686 4/1994 Boehner D14/114 X
D. 349,230 8/1994 Essick D8/347

Primary Examiner—Melanie H. Tung
Attorney, Agent, or Firm—Roy W. Truelson; Matthew J. Bussan

[57] **CLAIM**

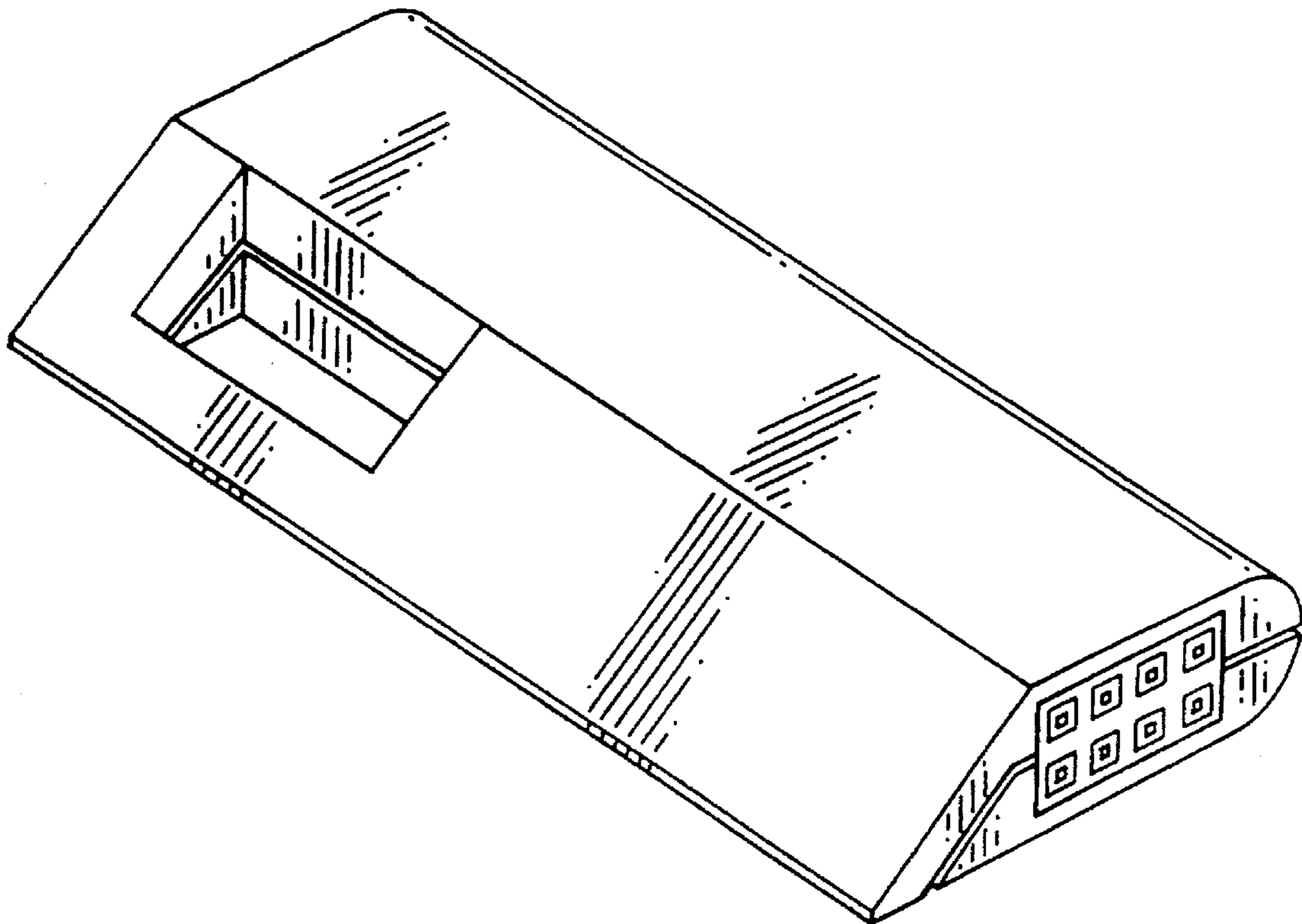
The ornamental design for an electronic key for a data processing system, as shown and described.

DESCRIPTION

FIG. 1 is a top, front, left side isometric view of an electronic key for a data processing system showing our new design; FIG. 2 is a front elevational view thereof; FIG. 3 is a top plan view thereof; FIG. 4 is a left side elevational view thereof; FIG. 5 is a right side elevational view thereof; FIG. 6 is a rear elevational view thereof; and, FIG. 7 is a bottom plan thereof.

[56] **References Cited**
U.S. PATENT DOCUMENTS
D. 265,049 6/1982 Flies D8/347
D. 274,126 6/1984 Flies D8/347

1 Claim, 5 Drawing Sheets



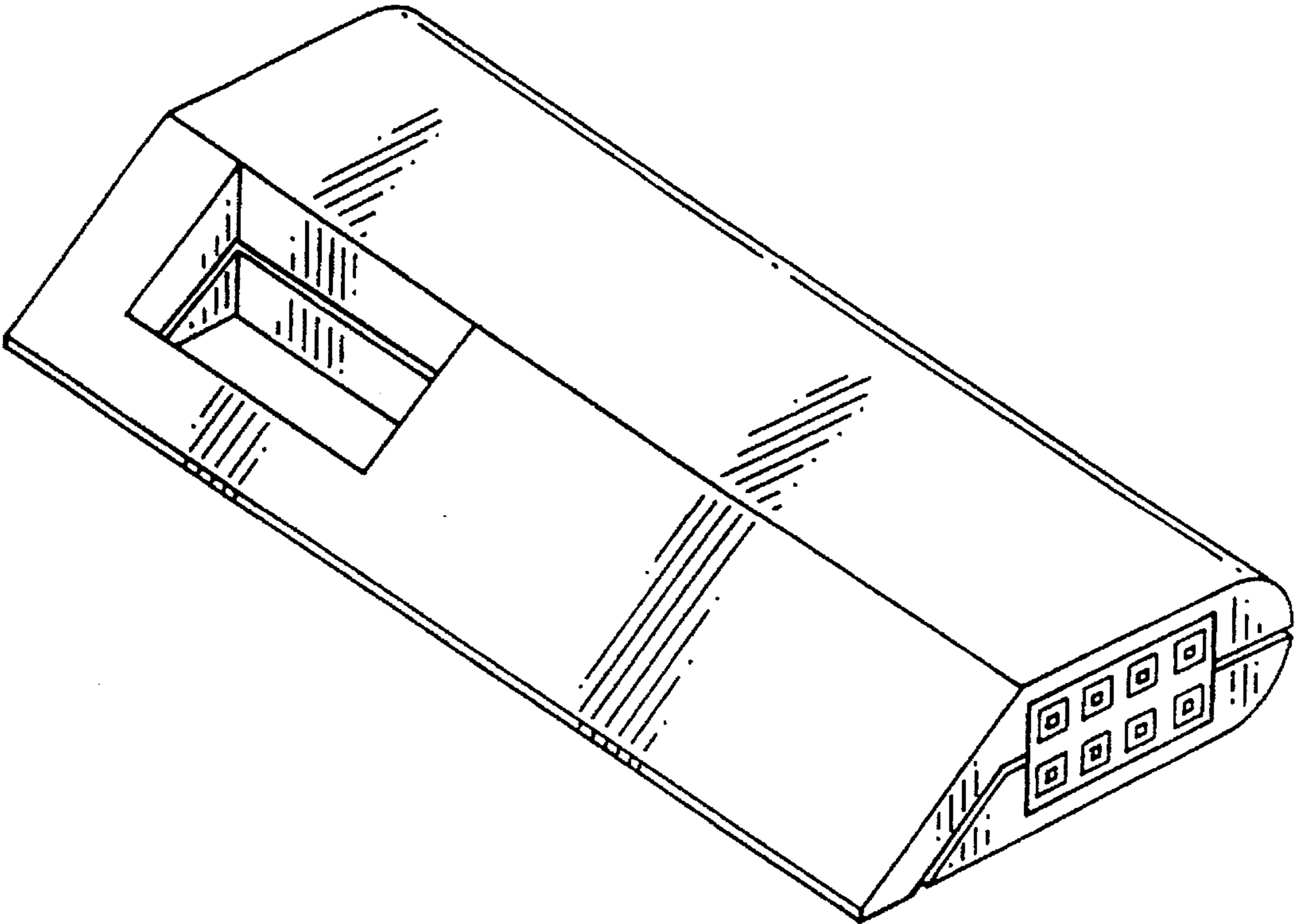


FIG. 1

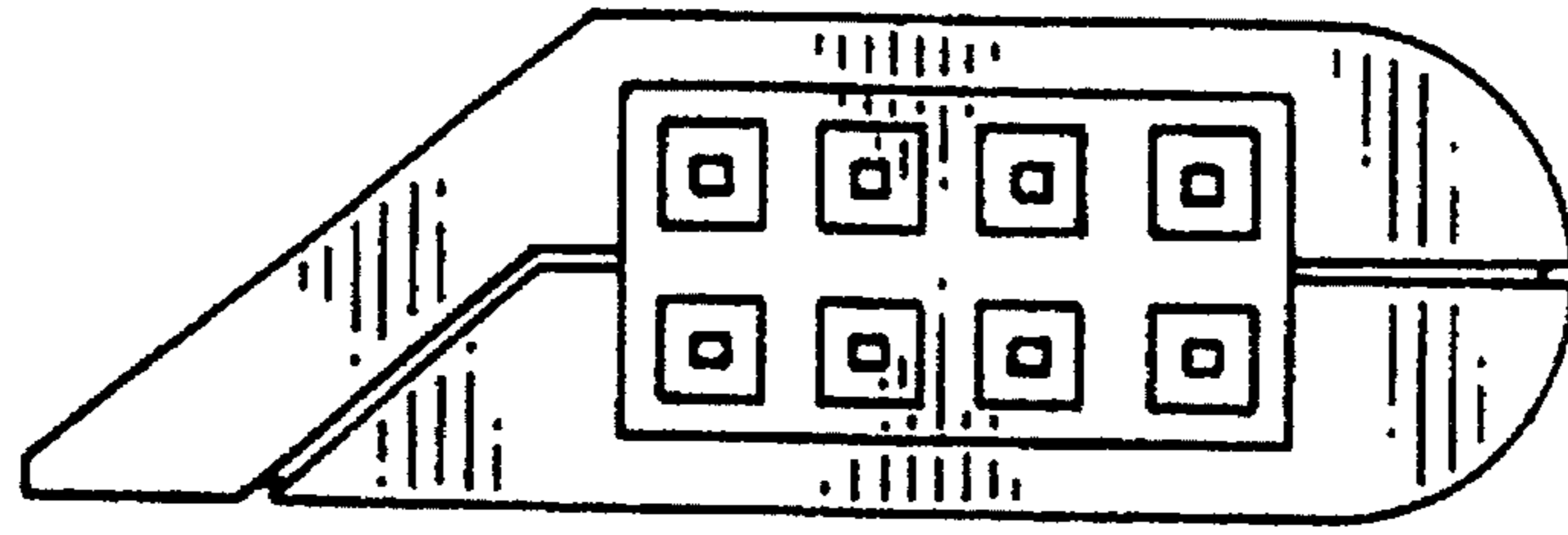


FIG. 2

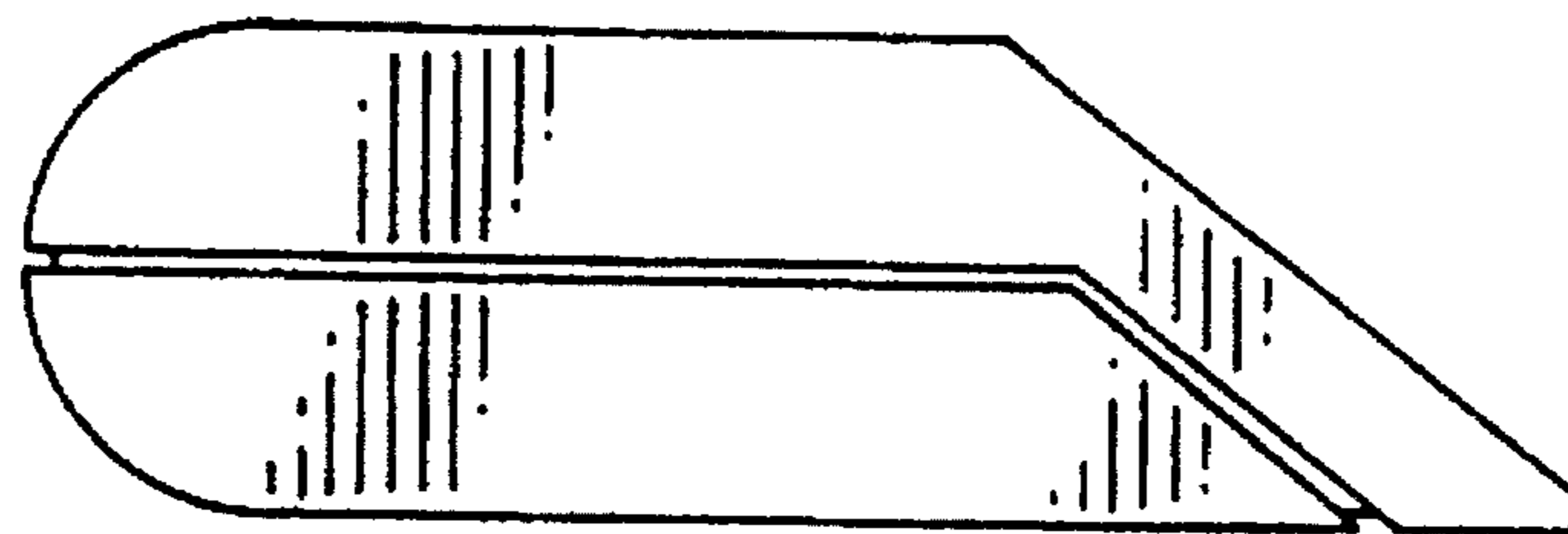


FIG. 6

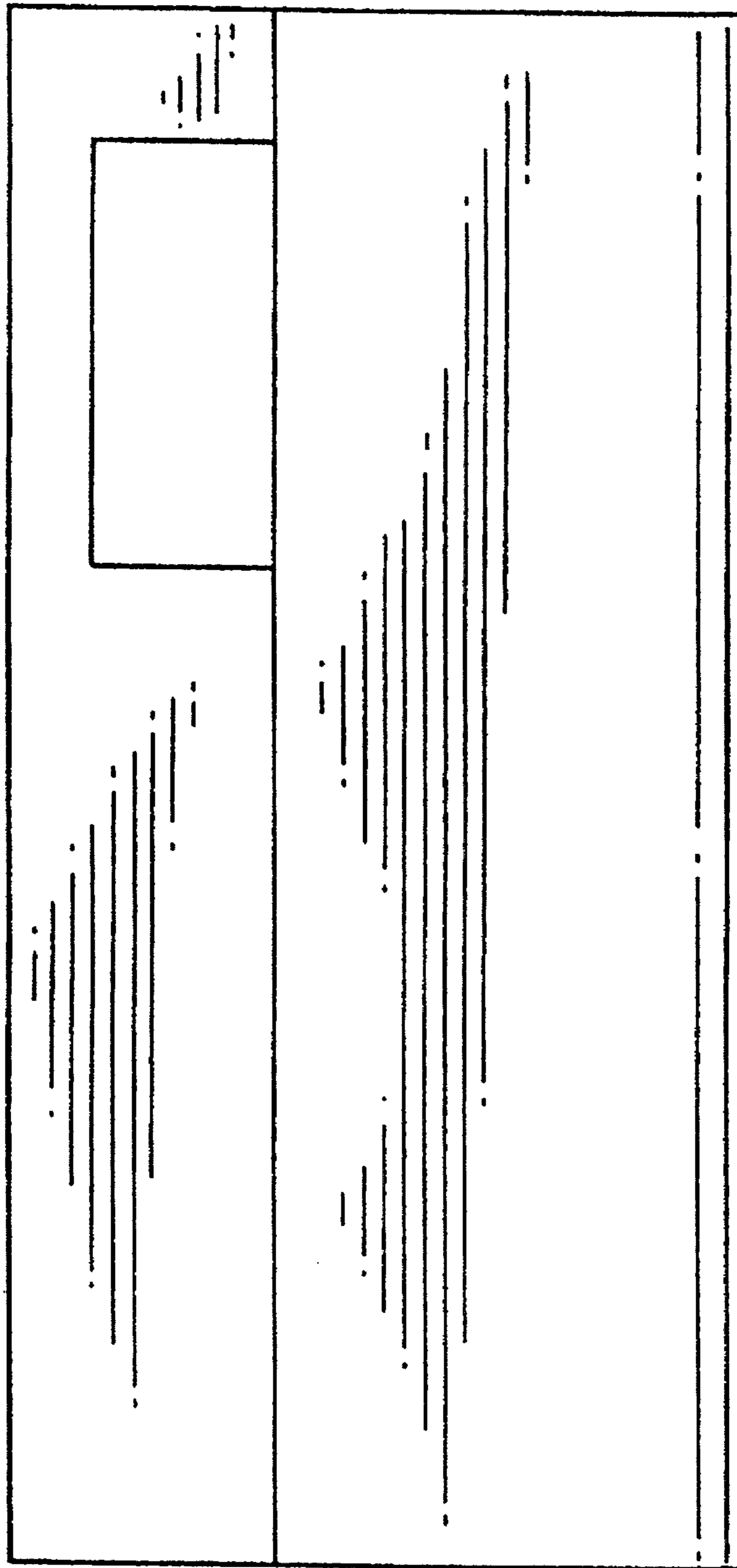


FIG. 3

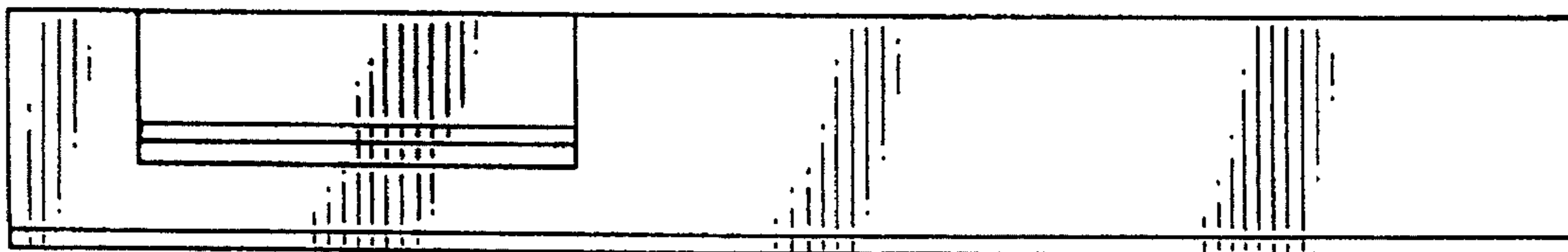


FIG. 4

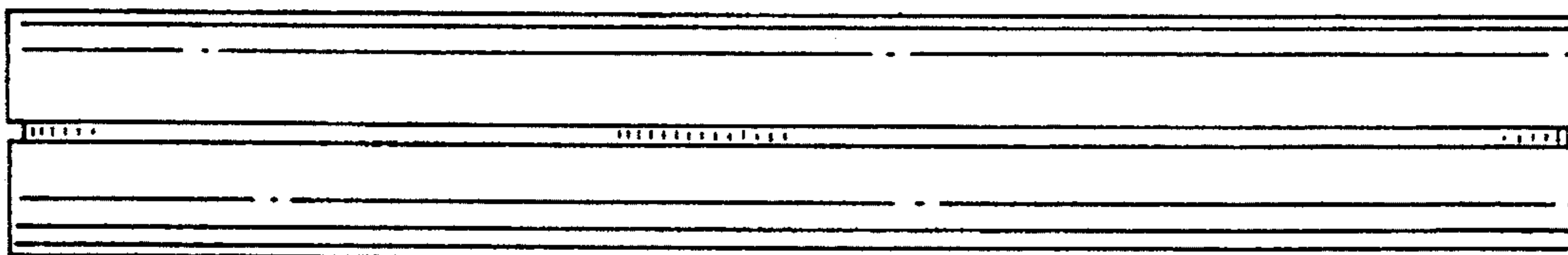


FIG. 5

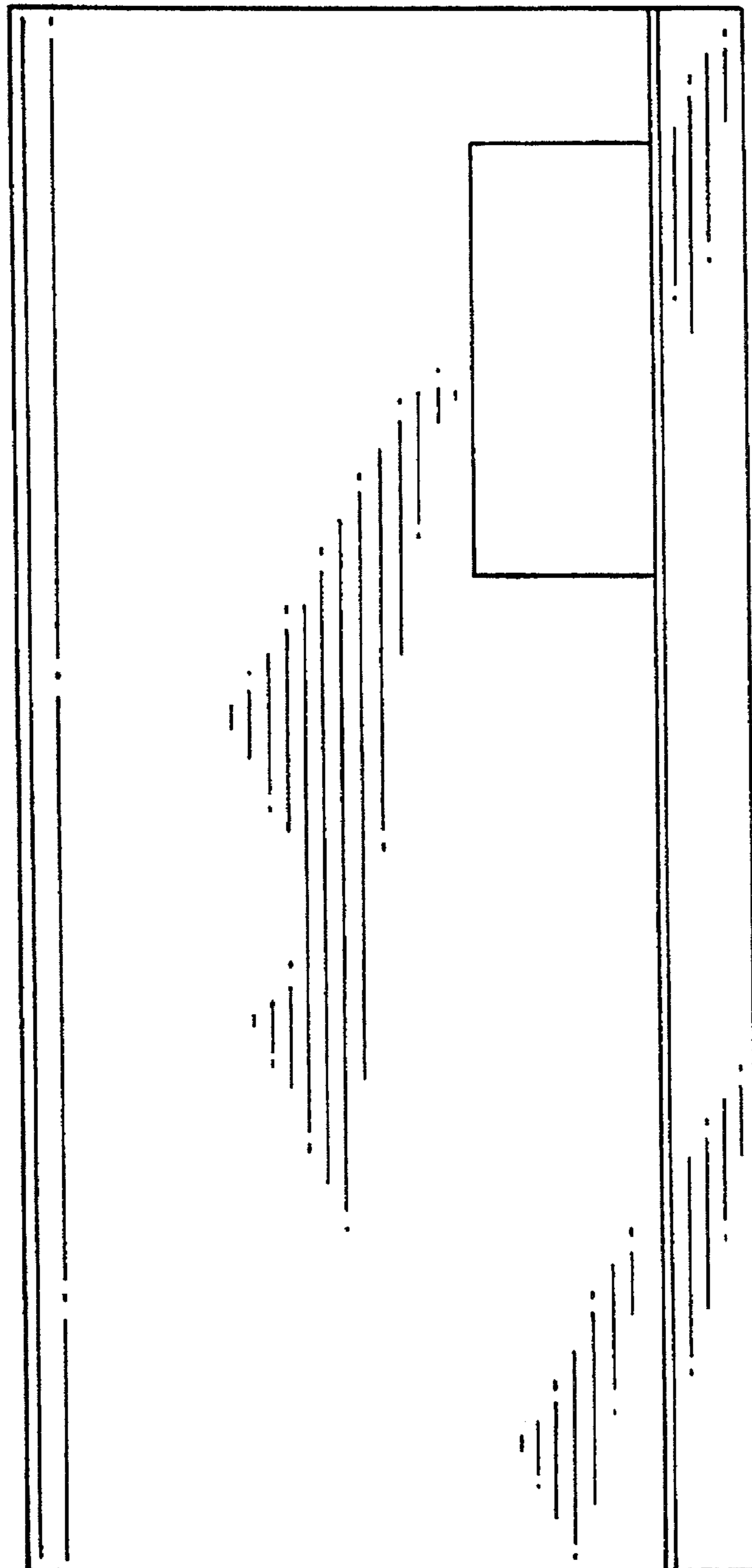


FIG. 7