



US00D365339S

United States Patent [19] Smith

[11] **Patent Number:** **Des. 365,339**
[45] **Date of Patent:** ****Dec. 19, 1995**

[54] **STAND FOR A KEYBOARD FOR USE IN A POINT OF SALE SYSTEM**

D. 334,184 3/1993 Weaver et al. D14/114
4,911,389 3/1990 Self D14/114 X
4,937,563 6/1990 Shekita et al. 248/918 X

[75] Inventor: **Ronald A. Smith**, Apex, N.C.

Primary Examiner—Melanie H. Tung
Attorney, Agent, or Firm—Joscelyn G. Cockburn

[73] Assignee: **International Business Machines Corporation**, Armonk, N.Y.

[57] CLAIM

[**] Term: **14 Years**

The ornamental design for a stand for a keyboard for use in a point of sale system, as shown and described.

[21] Appl. No.: **8,500**

DESCRIPTION

[22] Filed: **May 18, 1993**

[52] U.S. Cl. **D14/114**

[58] **Field of Search** D14/114, 100,
D14/107, 224; 345/130, 173, 156, 901,
905, 168; 361/686, 679-683; 248/346,
917-924

FIG. 1 is a front, top and left side perspective view of a stand for a keyboard for use in a point of sale system showing my new design, on a reduced scale;

FIG. 2 is a rear, top, left side perspective view, on a greatly reduced scale;

FIG. 3 is a front elevational view;

FIG. 4 is a rear elevational view thereof;

FIG. 5 is a right side elevational view thereof;

FIG. 6 is a left side elevational view thereof;

FIG. 7 is a top plan view thereof; and,

FIG. 8 is a bottom plan view thereof.

[56] References Cited

U.S. PATENT DOCUMENTS

D. 286,149 10/1986 Tucker D14/224
D. 296,446 6/1988 Jowitt D14/224 X
D. 320,980 10/1991 Howard et al. D14/114
D. 323,085 1/1992 Konkel D14/114 X

1 Claim, 6 Drawing Sheets

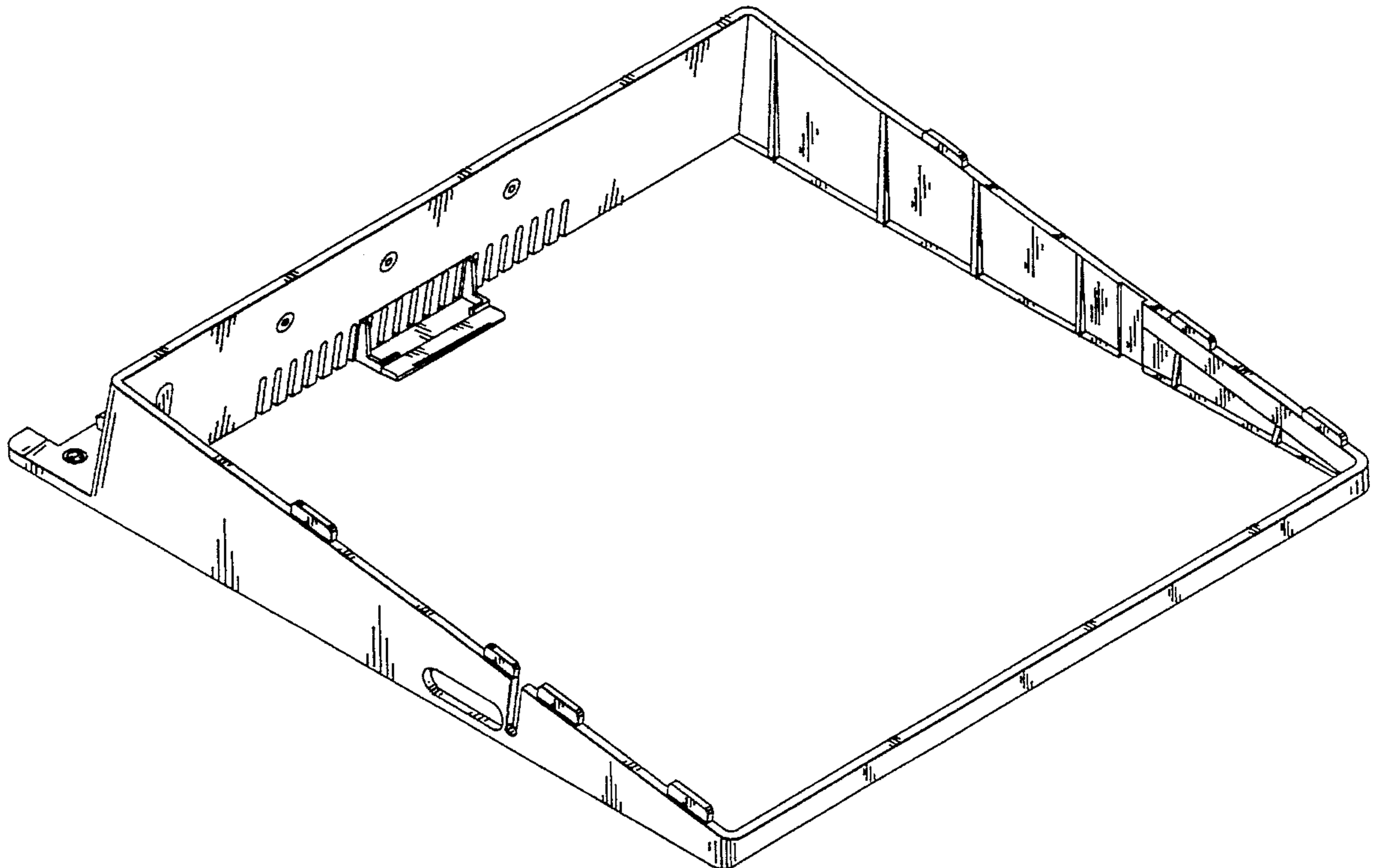


FIG. 1

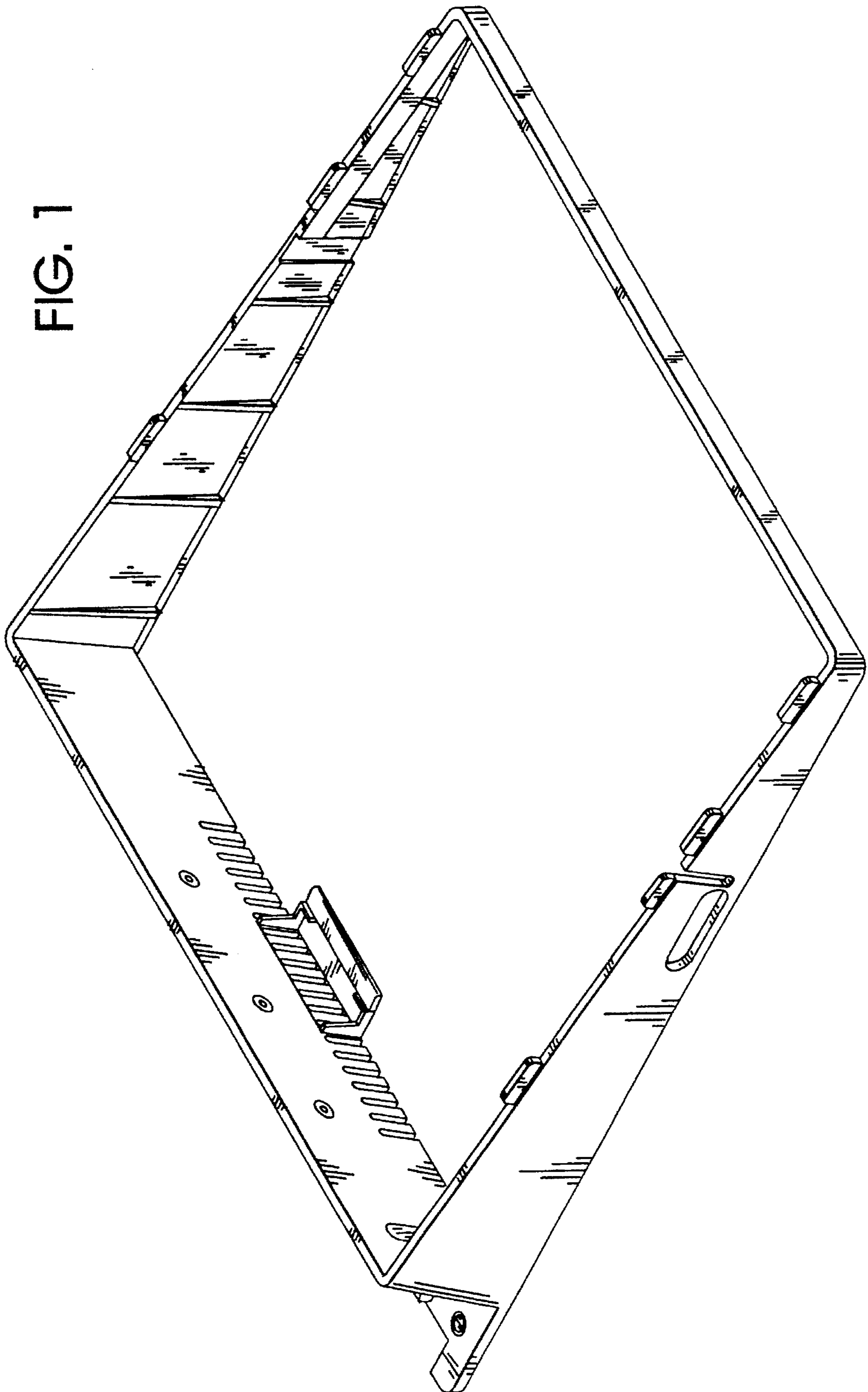


FIG. 2

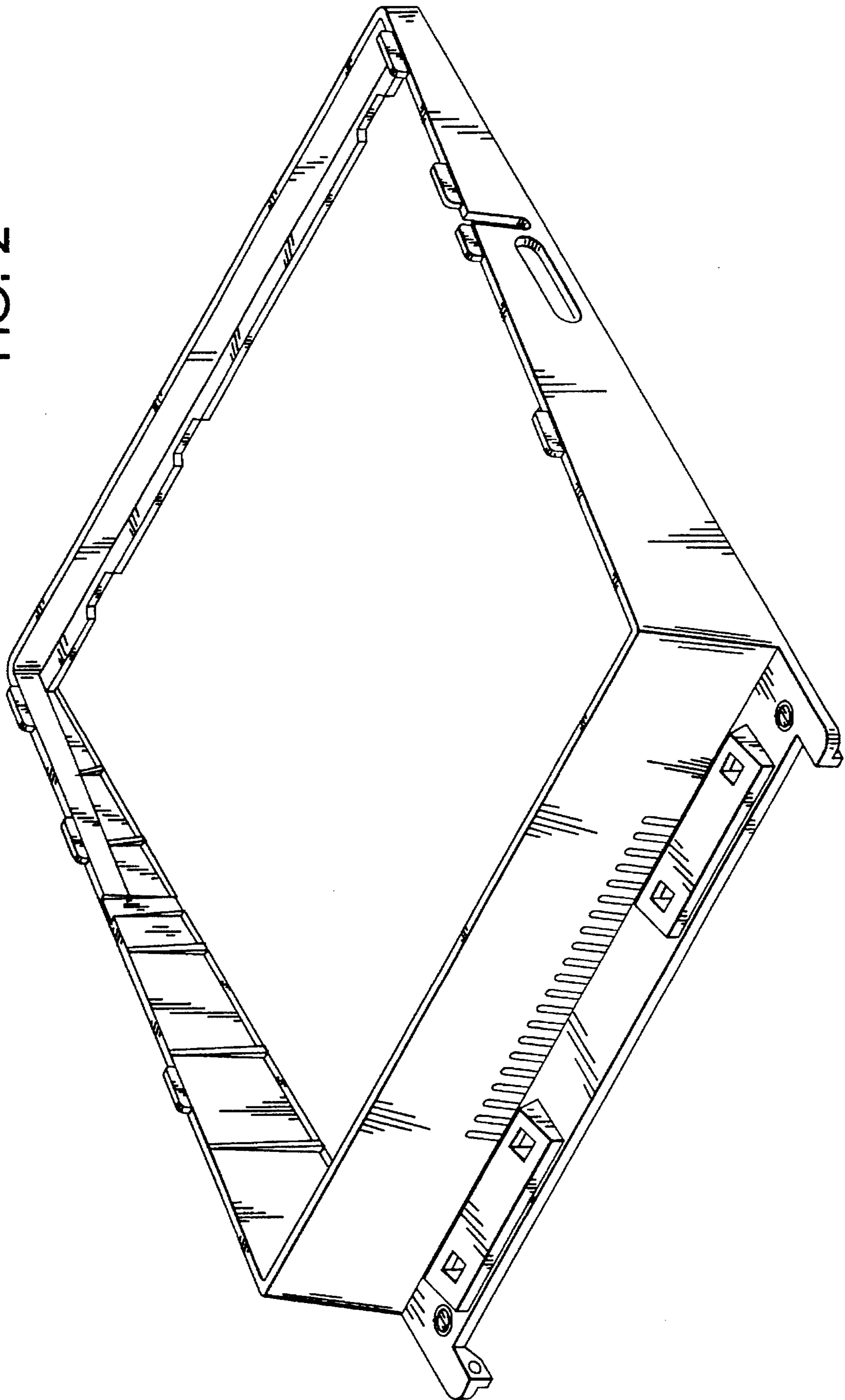


FIG. 3

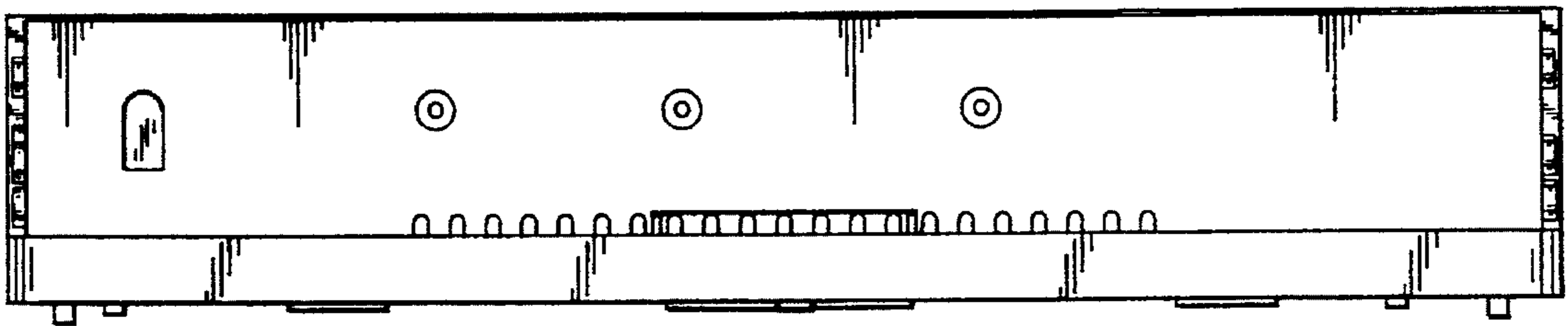


FIG. 4

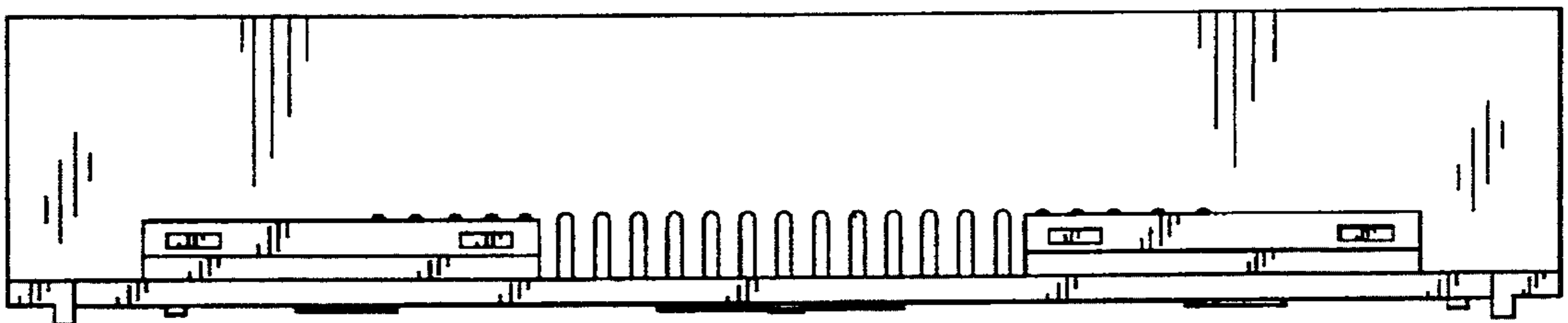


FIG. 5

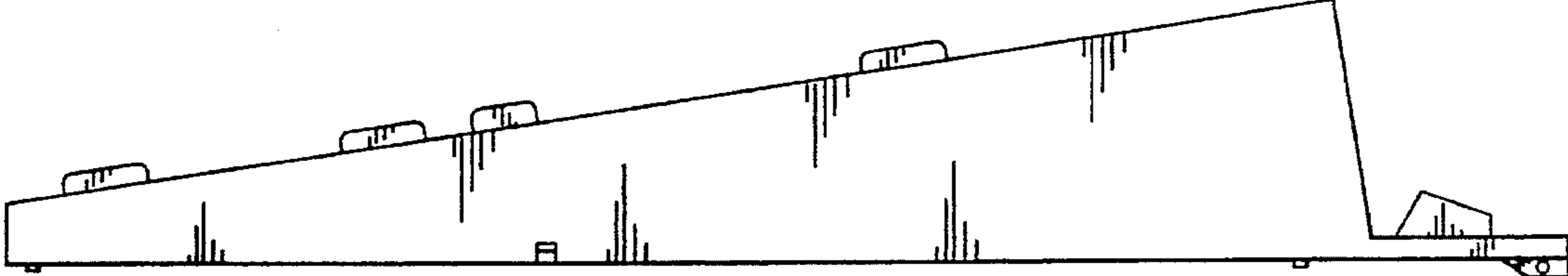


FIG. 6

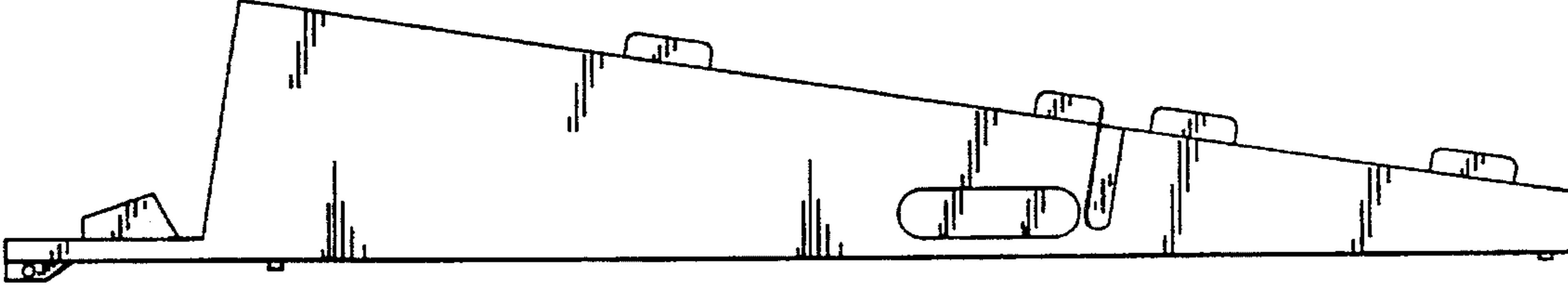


FIG. 7

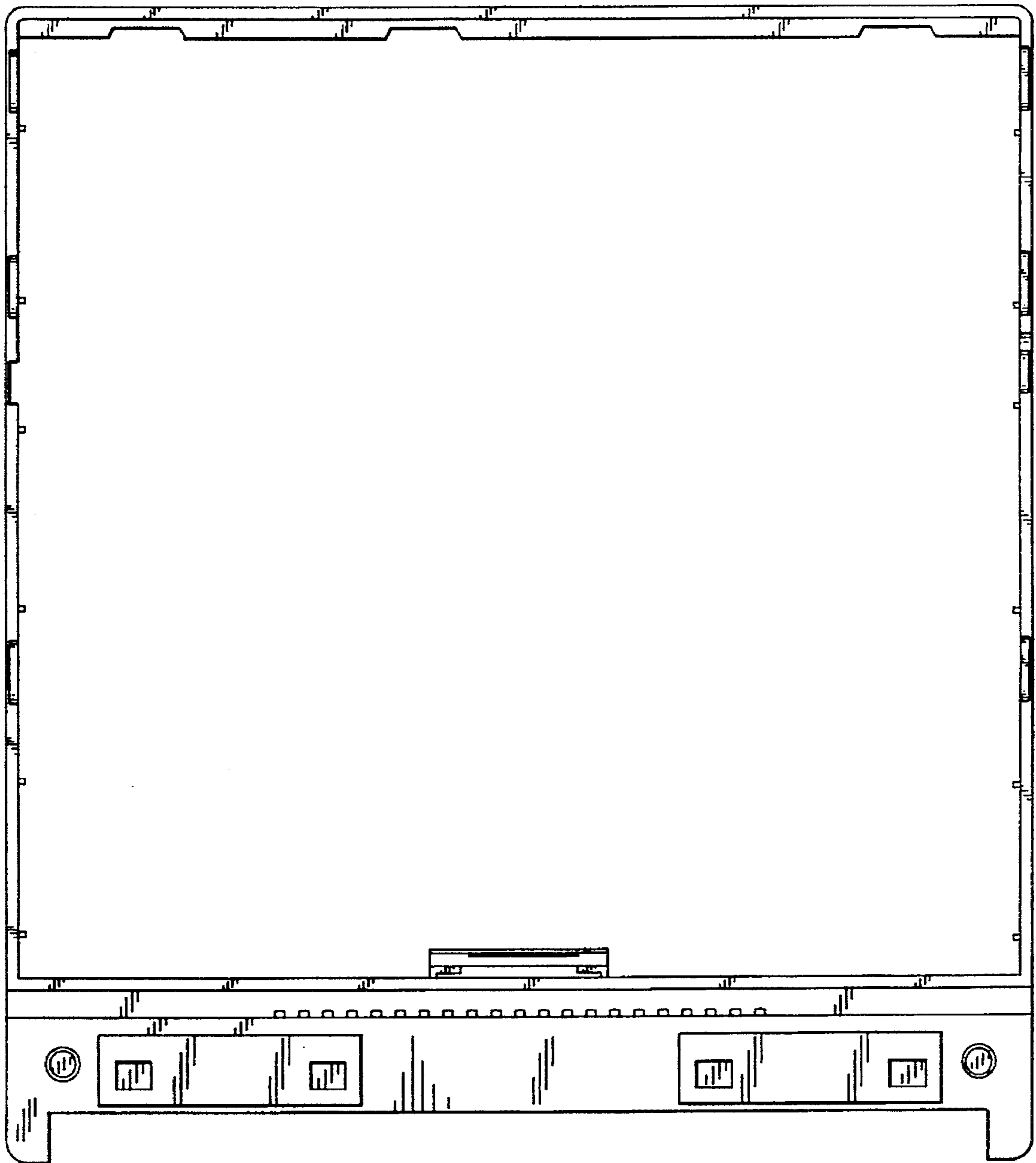


FIG. 8

