



US00D365338S

United States Patent [19]

Kabasawa et al.

[11] Patent Number: **Des. 365,338**

[45] Date of Patent: ***** Dec. 19, 1995**

[54] **DISK DRIVE**

[75] Inventors: **Hidetoshi Kabasawa; Takao Akiba,**
both of Musashino, Japan

[73] Assignee: **TEAC Corporation,** Tokyo, Japan

[*] Notice: The portion of the term of this patent subsequent to Mar. 29, 2008, has been disclaimed.

[**] Term: **14 Years**

[21] Appl. No.: **22,053**

[22] Filed: **Apr. 28, 1994**

[30] **Foreign Application Priority Data**

Oct. 29, 1993 [JP] Japan 5-32886

[52] U.S. Cl. **D14/109**

[58] Field of Search D14/100, 102,
D14/107-109; D13/162, 184, 199; 312/208.1,
223.2, 223.3, 194; 360/97.01, 97.04, 98.01,
99.01, 99.12; 361/600, 622, 724-728

[56] **References Cited**

U.S. PATENT DOCUMENTS

D. 341,580 11/1993 Ogura et al. D14/109
D. 342,726 12/1993 Hirose et al. D14/109
D. 345,553 3/1994 Andou et al. D14/109

OTHER PUBLICATIONS

BYTE Sep. 1993 p. 271 *TEAC 5¼ & 3½ Combination Drive*
Location EIC Library.

Primary Examiner—Freda Nunn
Attorney, Agent, or Firm—Michael N. Meller

[57] **CLAIM**

The ornamental design for a disk drive, as shown and described.

DESCRIPTION

FIG. 1 is a front perspective view of a disk drive showing our new design; and,
FIG. 2 is a rear perspective view thereof.
The undisclosed bottom view is flat and unornamented.

1 Claim, 2 Drawing Sheets

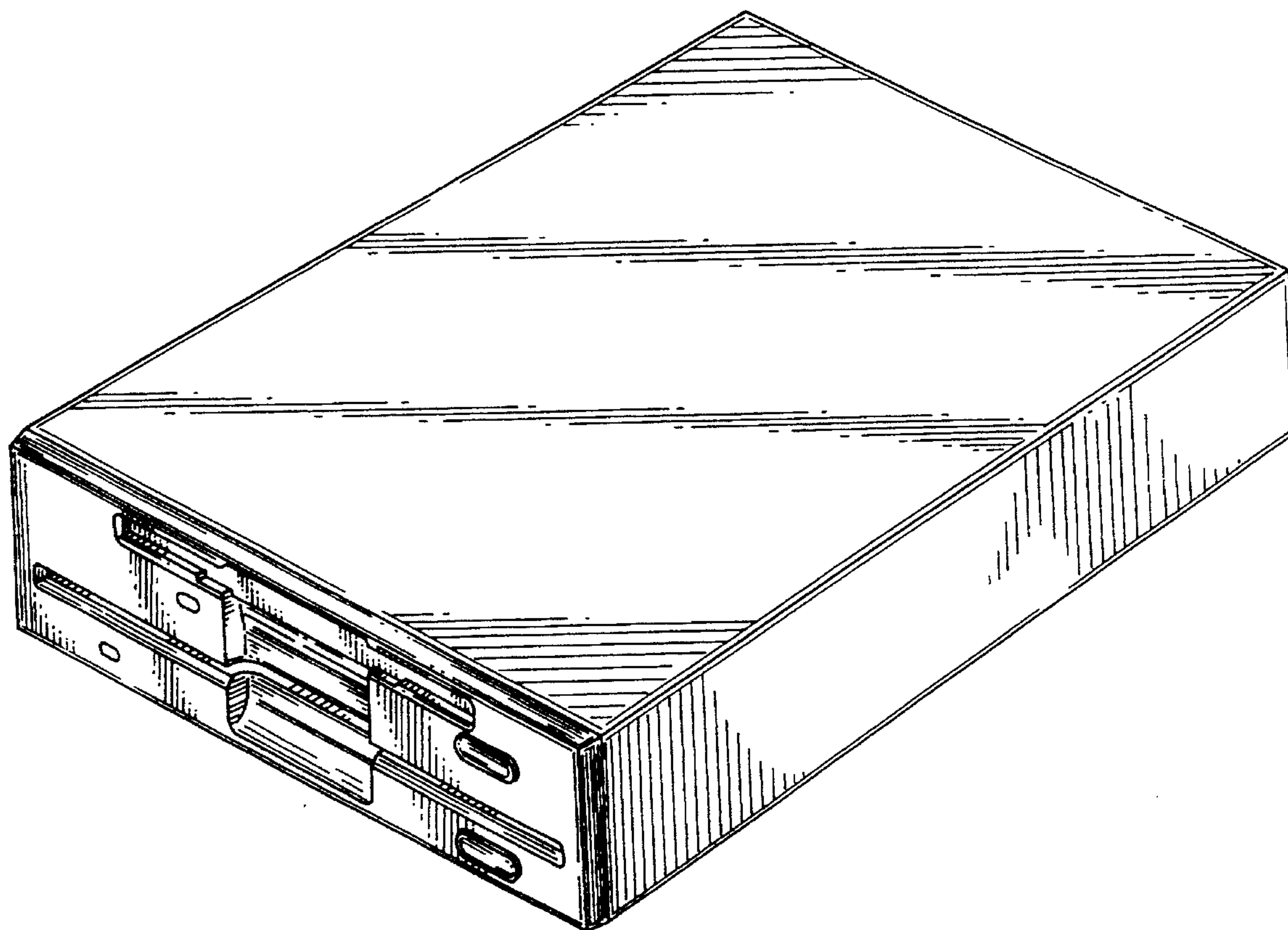


FIG. 1

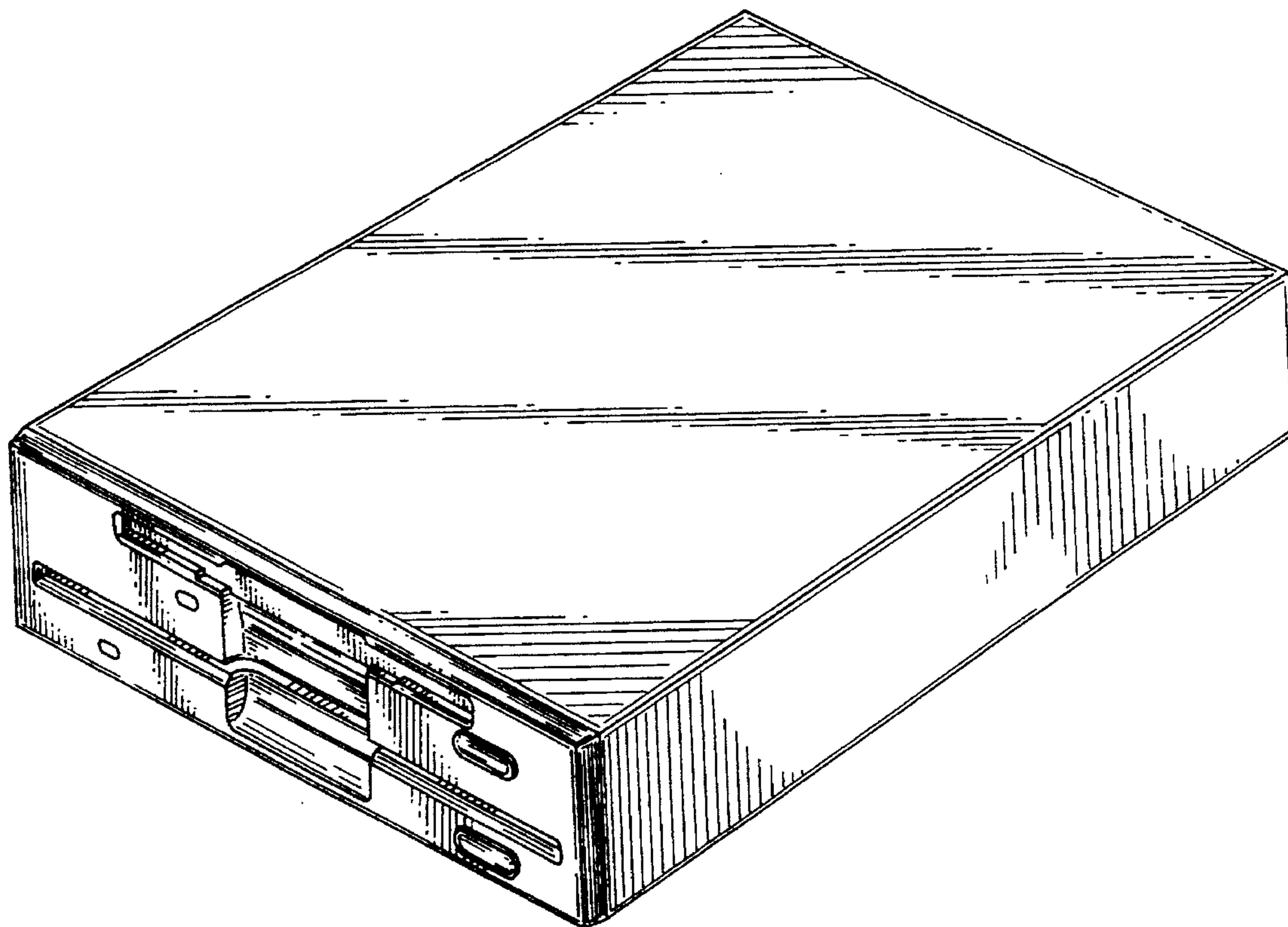


FIG. 2

