



US00D365335S

# United States Patent [19]

[11] Patent Number: Des. 365,335

Busch et al.

[45] Date of Patent: \*\*Dec. 19, 1995

[54] **PORTABLE COMPUTER WITH TRACKBALL BELOW KEYBOARD**

D. 356,069 3/1995 Lee ..... D14/106

[75] Inventors: **John P. Busch; Steven D. Gluskoter**, both of Austin, Tex.; **Satoshi Masamitsu**, Kawaguchi; **Nobuyuki Nishigori**, Tokyo, both of Japan

*Primary Examiner*—Freda Nunn

*Attorney, Agent, or Firm*—Noel Kivlin; James Huffman

[73] Assignee: **Dell USA, L.P.**, Austin, Tex.

[57] **CLAIM**

[\*\*] Term: **14 Years**

The ornamental design for a portable computer with trackball below keyboard, as shown and described.

[21] Appl. No.: **27,638**

**DESCRIPTION**

[22] Filed: **Aug. 25, 1994**

[52] U.S. Cl. .... **D14/106**

[58] **Field of Search** ..... D14/100, 101, D14/106, 113, 115, 124-127; D18/1, 7, 11, 12; 235/145 A, 145 R; 341/22, 23; 345/104, 156, 168, 173, 901-905, 87; 361/679-686; 364/708.1, 709.04, 709.12; 400/486, 489

FIG. 1 is a front top right perspective view of a preferred embodiment of the portable computer with trackball below keyboard of the present invention; FIG. 2 is a rear top left perspective view of the computer of FIG. 1 with the lid closed; FIG. 3 is a rear bottom left perspective view of the computer of FIG. 1 with the lid closed; FIG. 4 is a front right perspective view of the computer of FIG. 1; and, FIG. 5 is an enlarged fragmentary front right perspective view showing the trackball below the keyboard of the computer of FIG. 1.

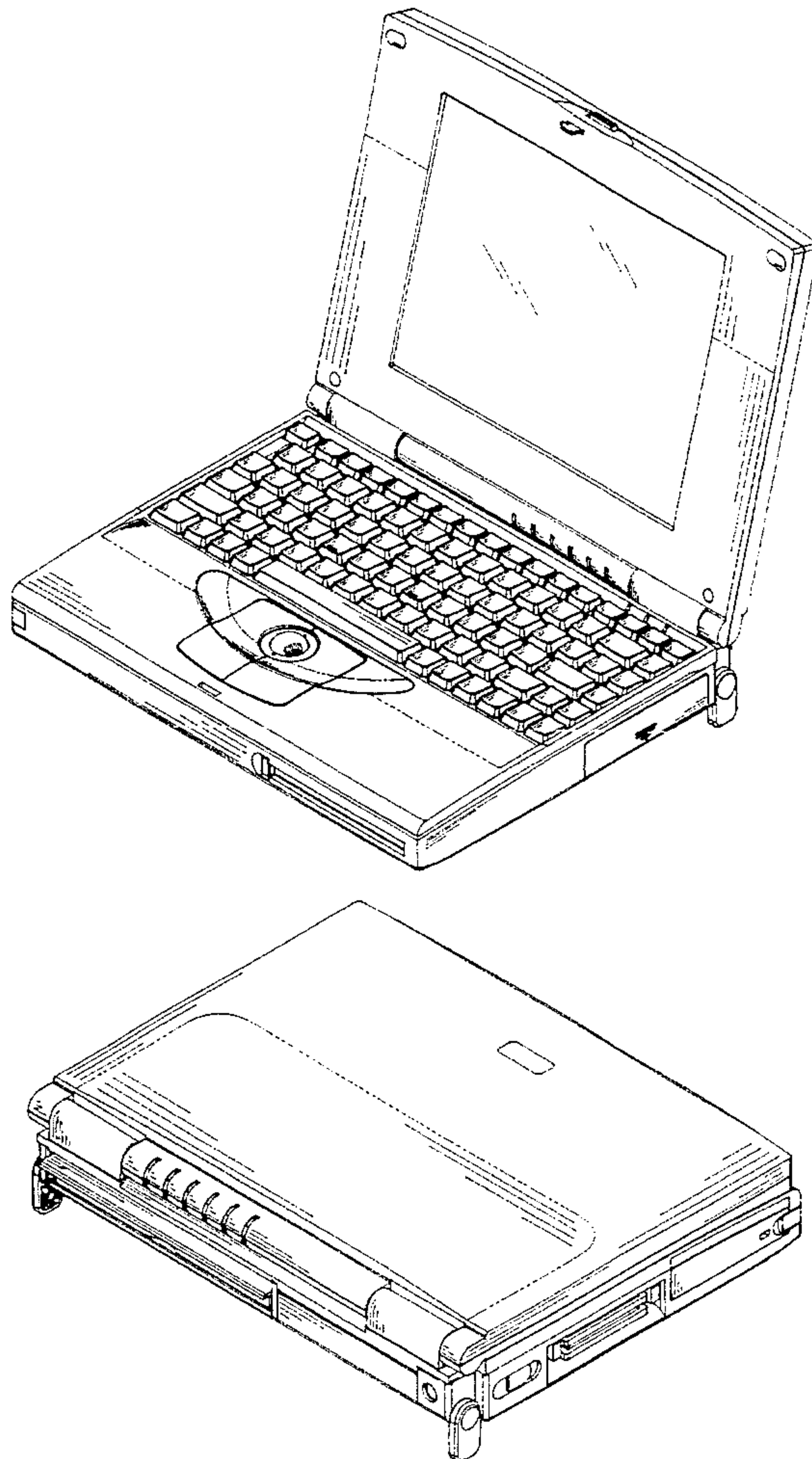
The dashed lines appearing in the drawings are shown for illustrative purposes only and do not form a part of the claimed design.

[56] **References Cited**

**U.S. PATENT DOCUMENTS**

- D. 332,783 1/1993 Krakower et al. .... D14/106
- D. 338,456 8/1993 Brunner et al. .... D14/106
- D. 351,377 10/1994 Yu ..... D14/106

**1 Claim, 5 Drawing Sheets**



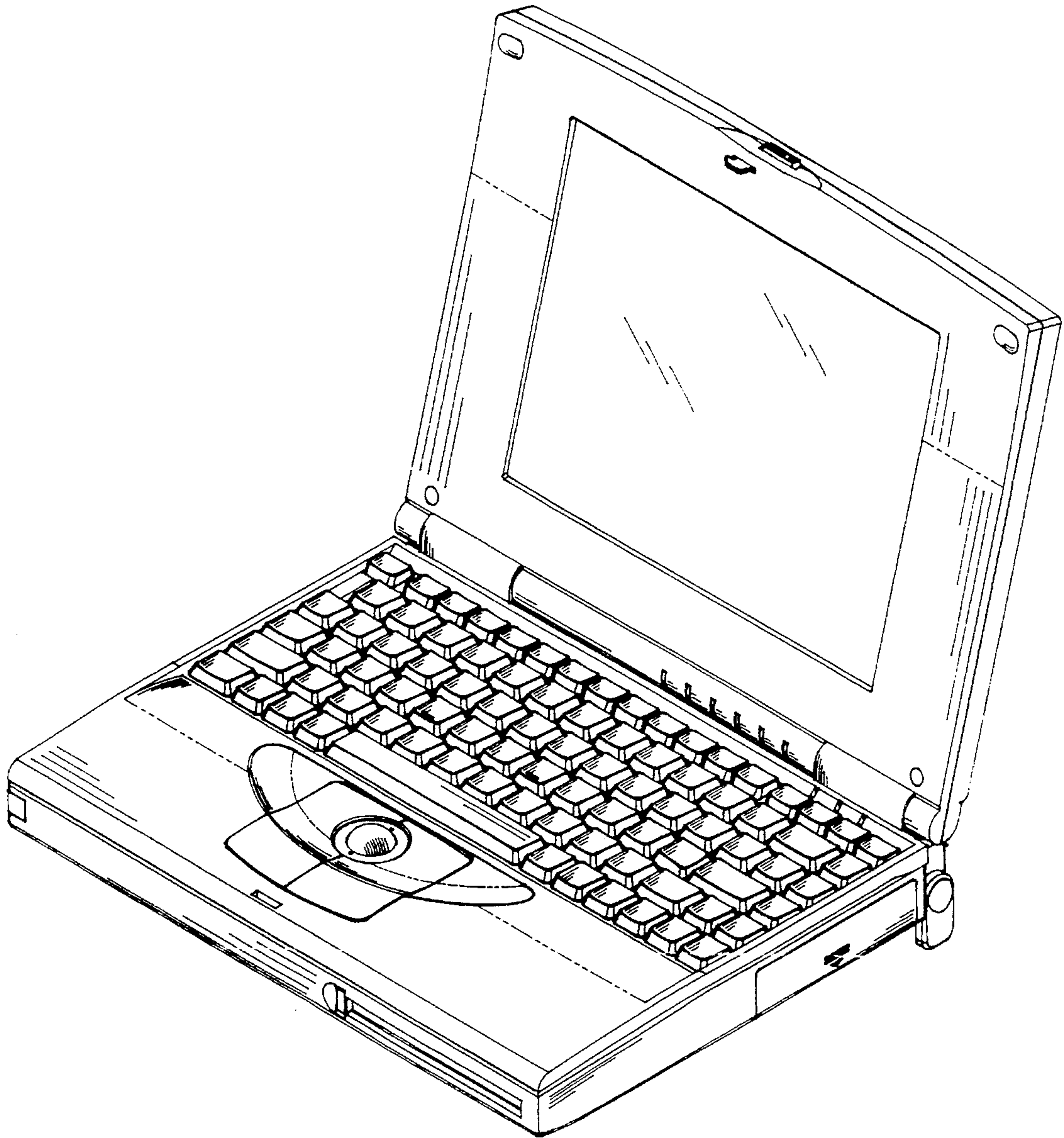


FIG. 1

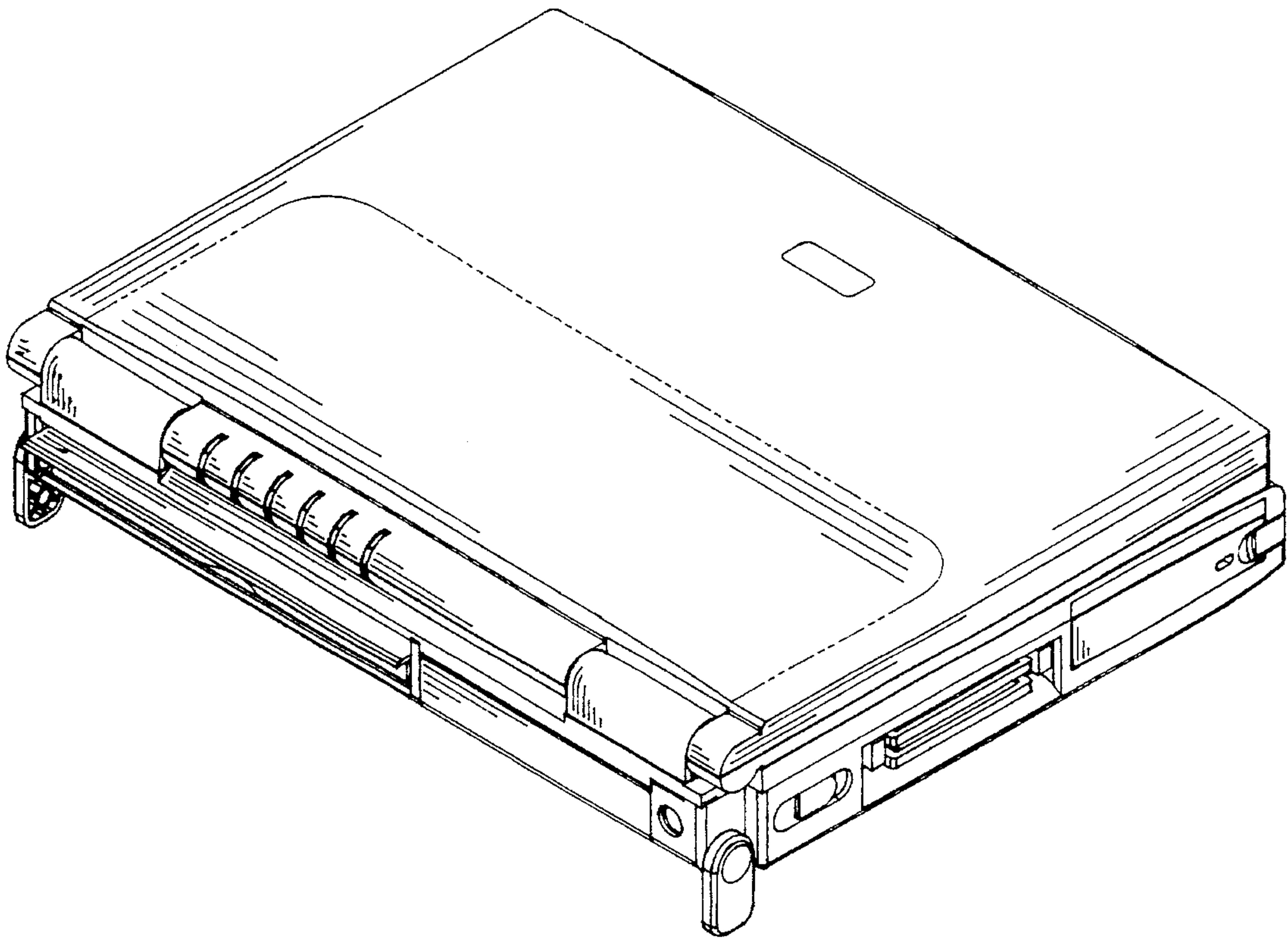


FIG. 2



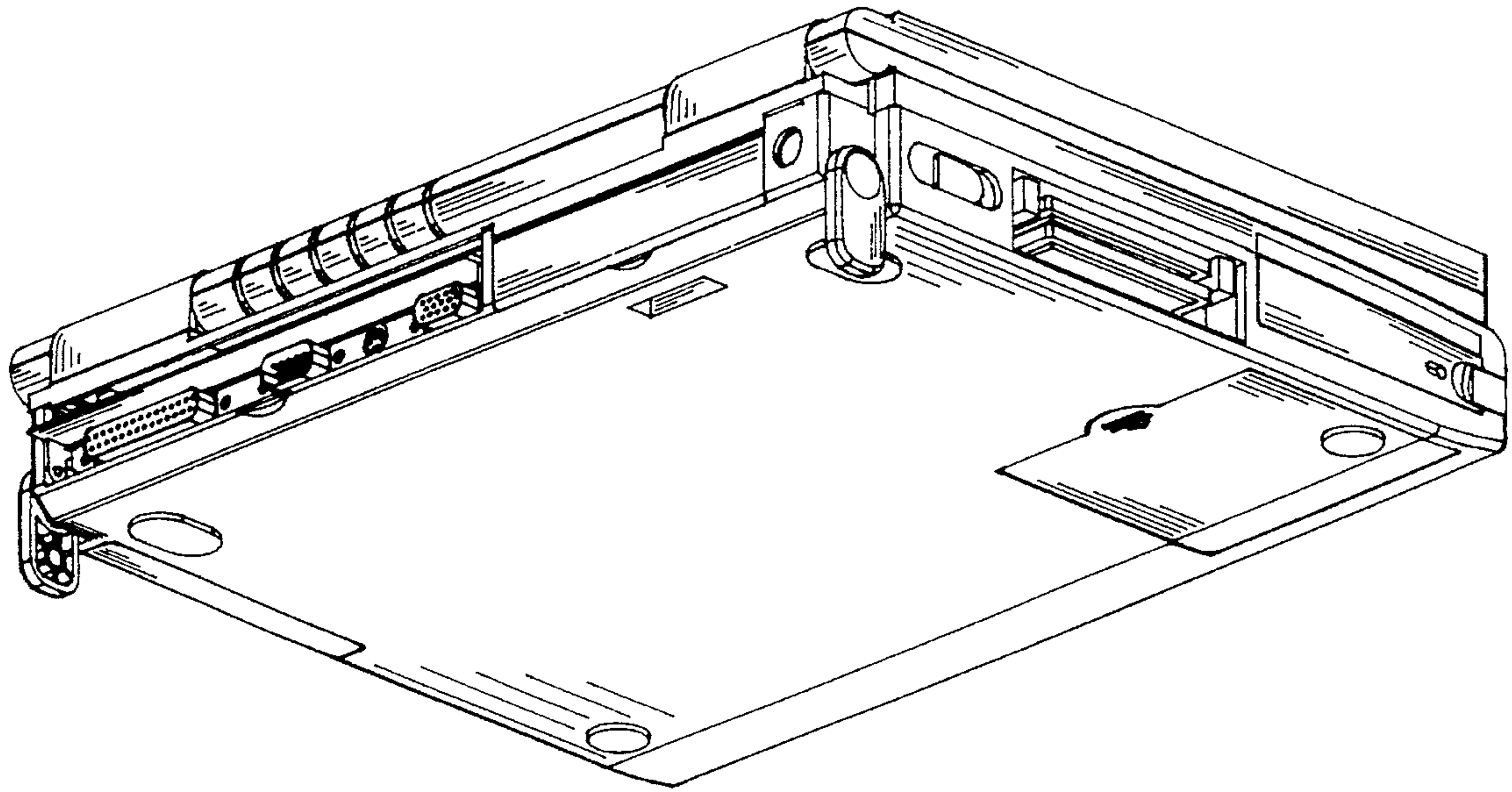


FIG. 3

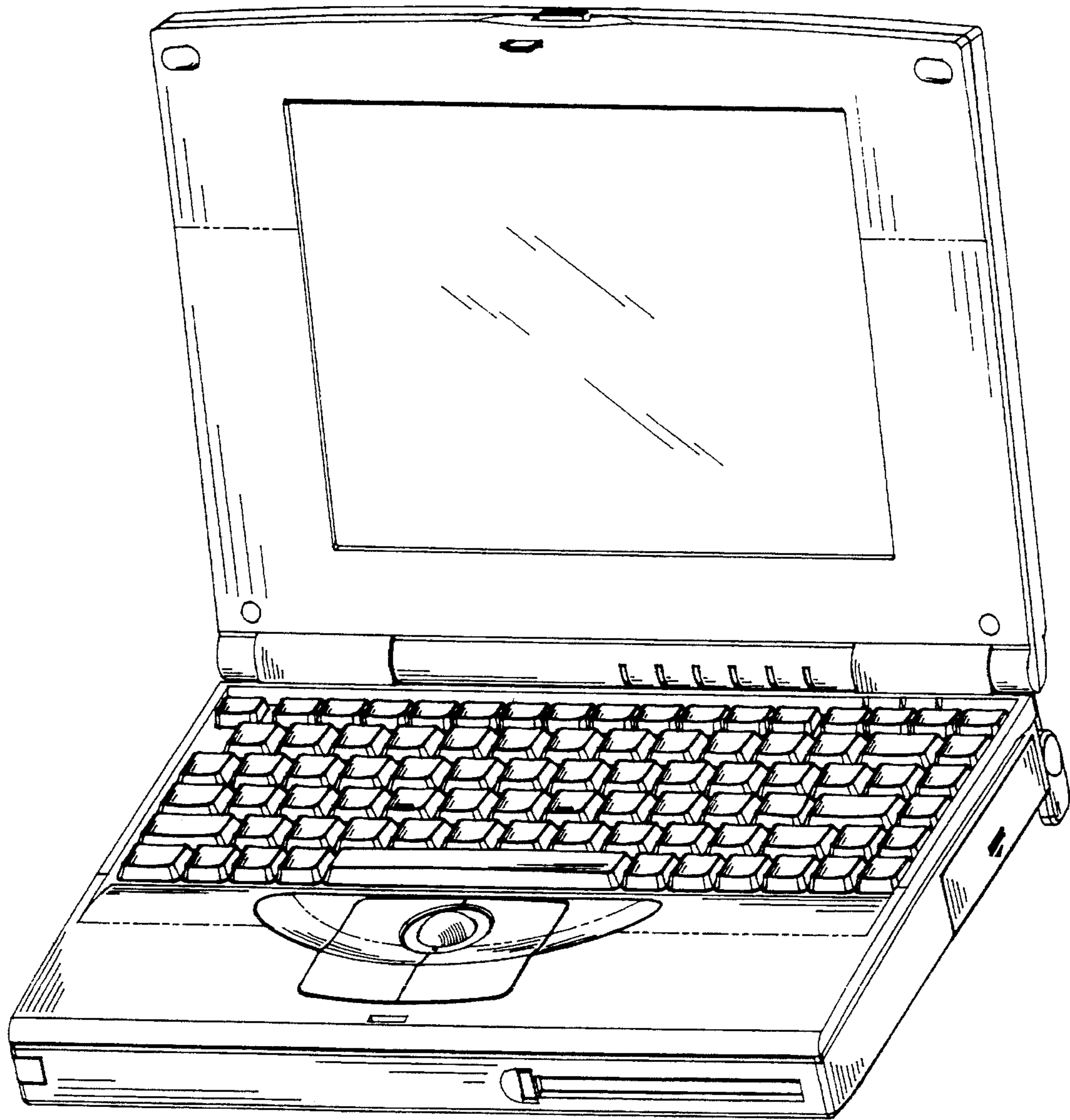


FIG. 4

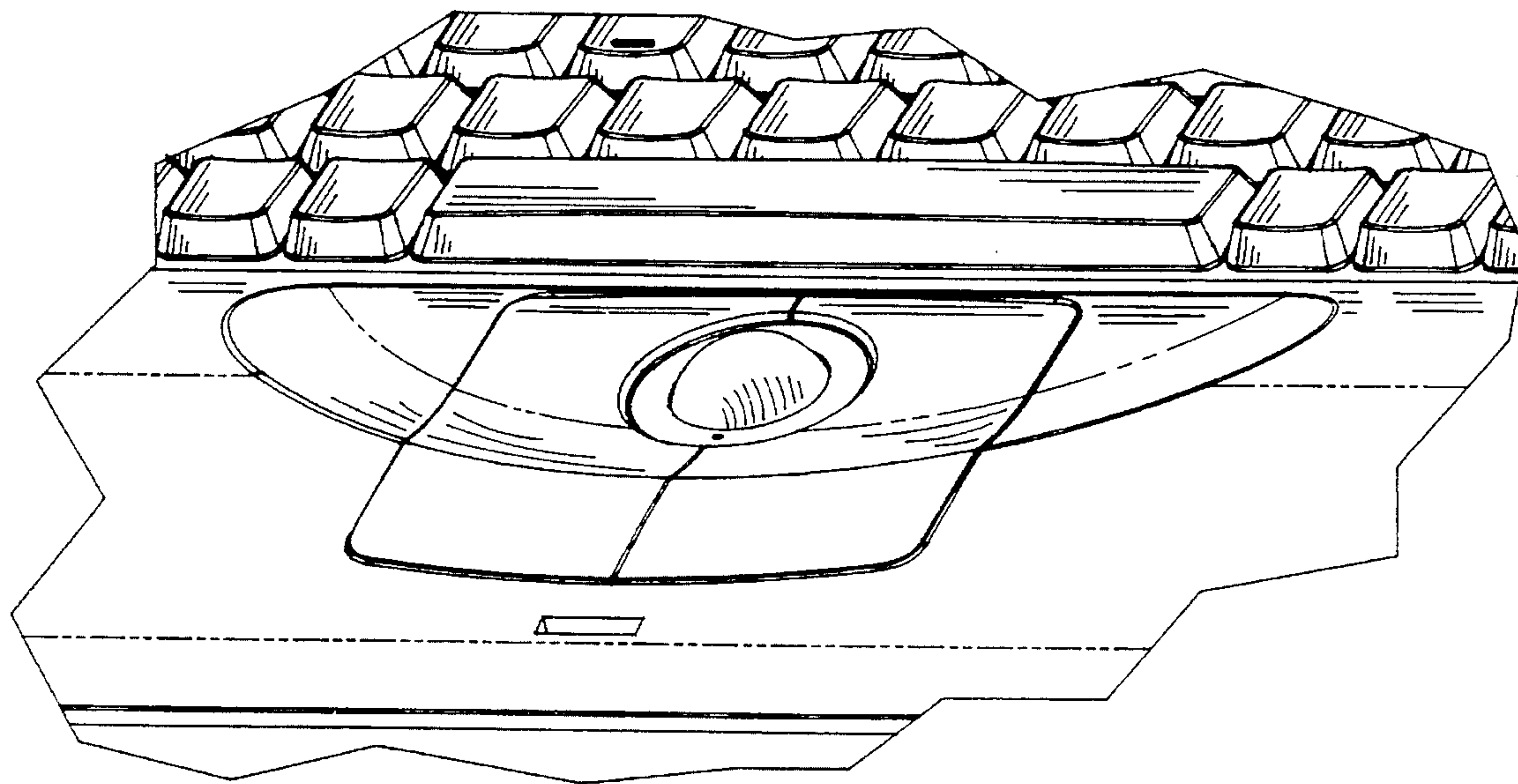


FIG. 5