



US00D365334S

United States Patent [19]
Peart

[11] **Patent Number: Des. 365,334**
[45] **Date of Patent: **Dec. 19, 1995**

[54] **INTEGRATED DOCUMENT SCANNER AND KEYBOARD**

[75] Inventor: **Stephen Peart**, Los Gatos, Calif.

[73] Assignee: **Visioneer Communications, Inc.**, Palo Alto, Calif.

[**] Term: **14 Years**

[21] Appl. No.: **29,441**

[22] Filed: **Oct. 5, 1994**

[52] U.S. Cl. **D14/107; D14/115**

[58] **Field of Search** D14/100, 101, D14/106, 115, 105; D18/1, 7, 11, 12, 36, 37, 39; 235/145 A, 145 R, 454, 462, 470, 380, 382, 476, 382.5, 482, 483, 441; 200/5 A, 5 R, 6 A, 6 R; 345/168; 400/472, 479, 484-486, 488, 489, 682; D16/208, 214, 223, 232

[56] **References Cited**

U.S. PATENT DOCUMENTS

D. 319,632 9/1991 Heimburger D14/115

D. 355,902 2/1995 Iino D14/115

Primary Examiner—Freda Nunn

Attorney, Agent, or Firm—Thomas A. Gallagher

[57] **CLAIM**

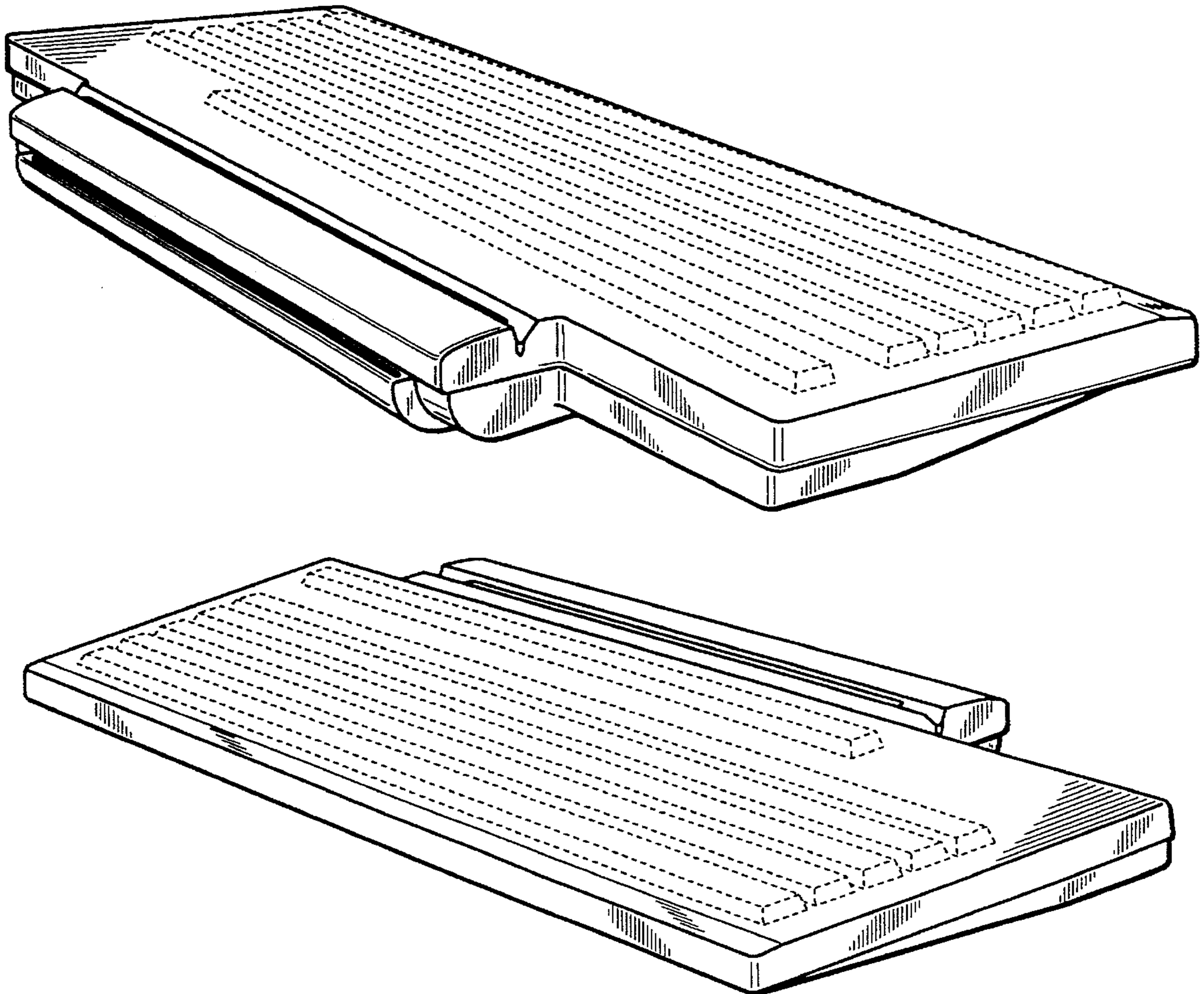
The ornamental design for an integrated document scanner and keyboard, as shown and described.

DESCRIPTION

FIG. 1 is a rear, left side perspective view of an integrated document scanner and keyboard showing my new design; FIG. 2 is a front, right side perspective view thereof; FIG. 3 is a rear elevation view thereof; FIG. 4 is a left side elevation view thereof, it being understood that the opposite side is substantially a mirror image thereof; FIG. 5 is a front elevation view thereof; FIG. 6 is a top plan view thereof; and, FIG. 7 is a bottom plan view thereof.

The broken line showing of environmental structure in the drawings is for illustrative purposes only and forms no part of the claimed design.

1 Claim, 3 Drawing Sheets



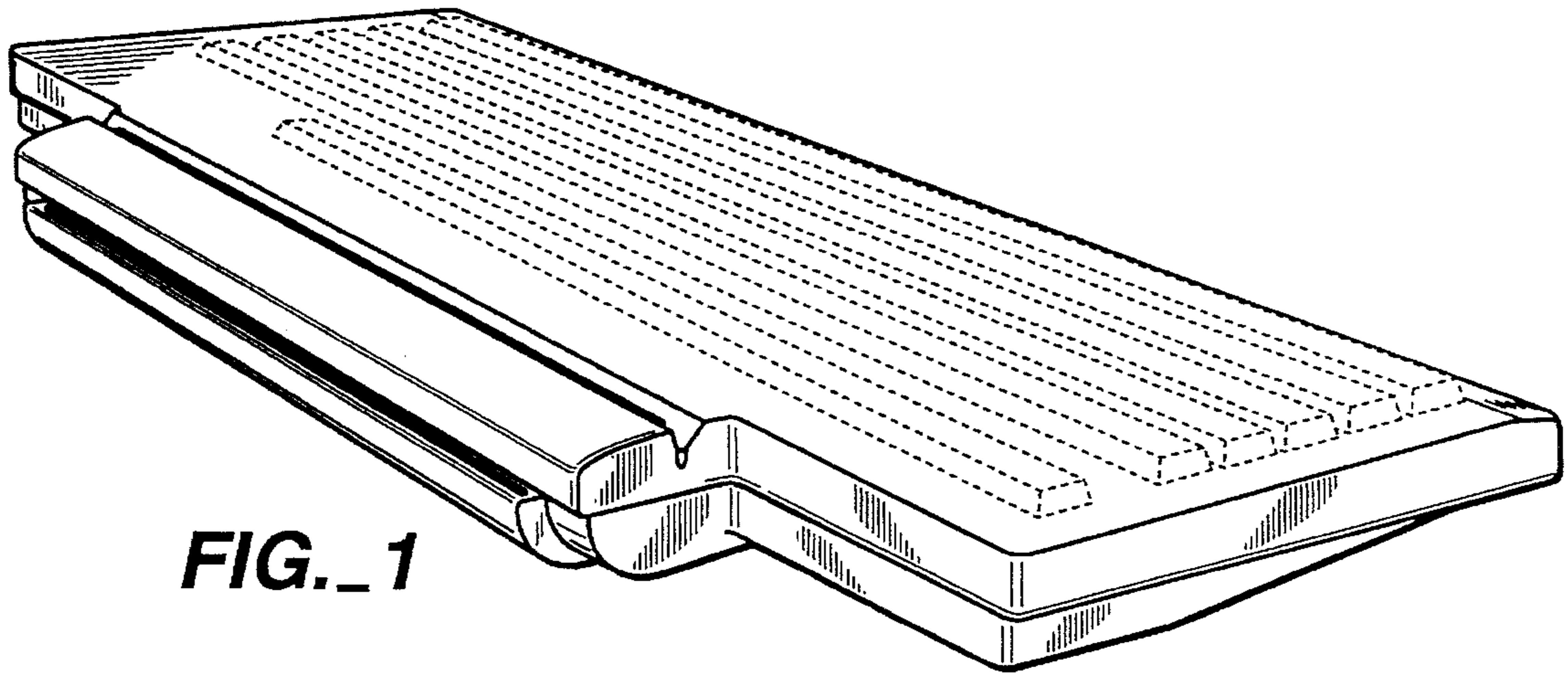


FIG._1

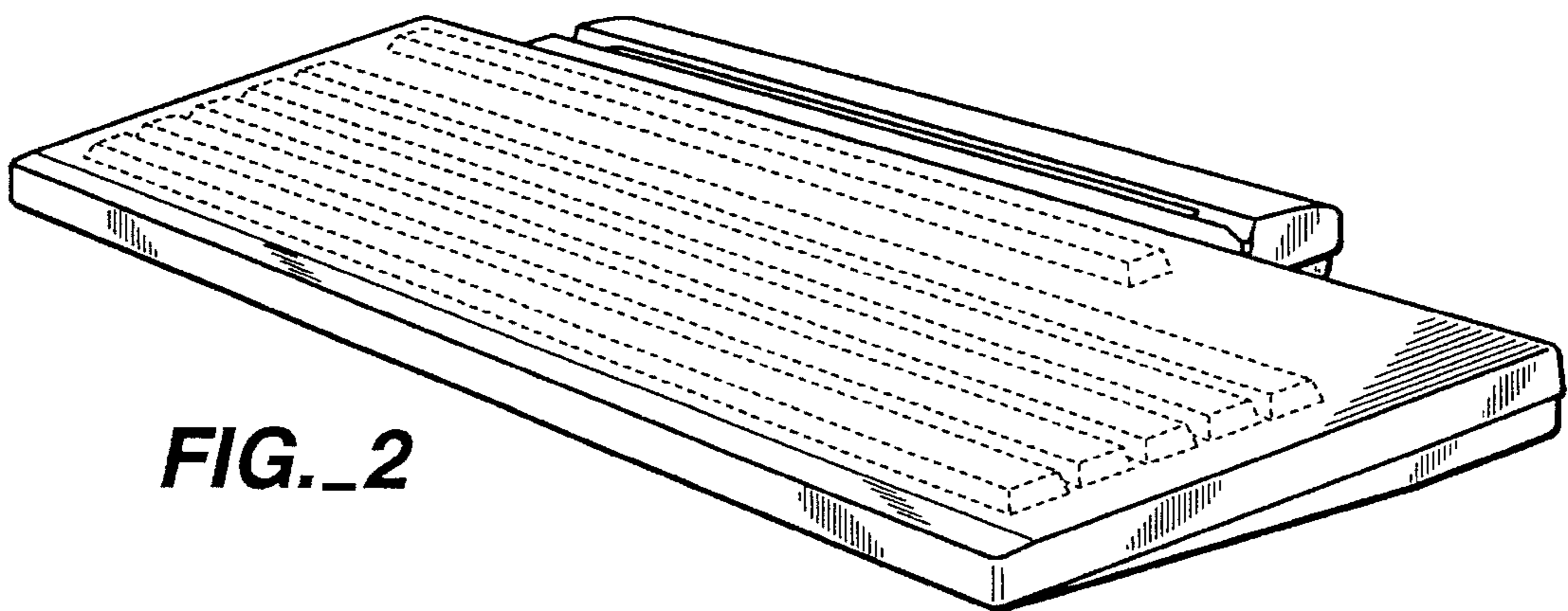


FIG._2

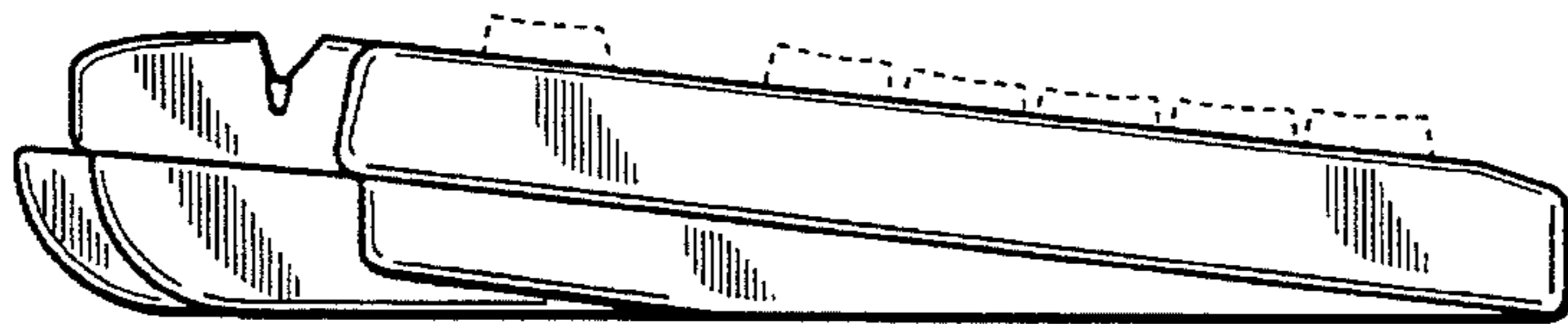


FIG._4

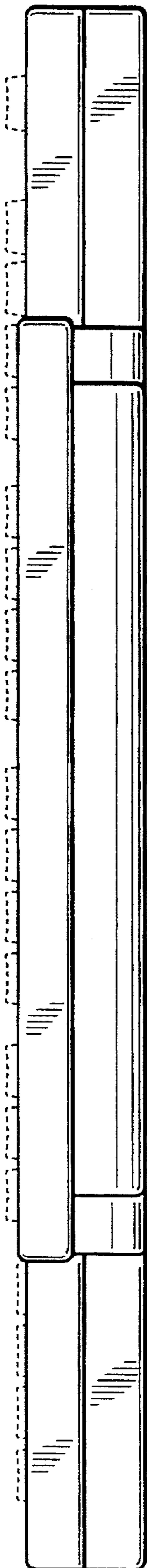


FIG. 3

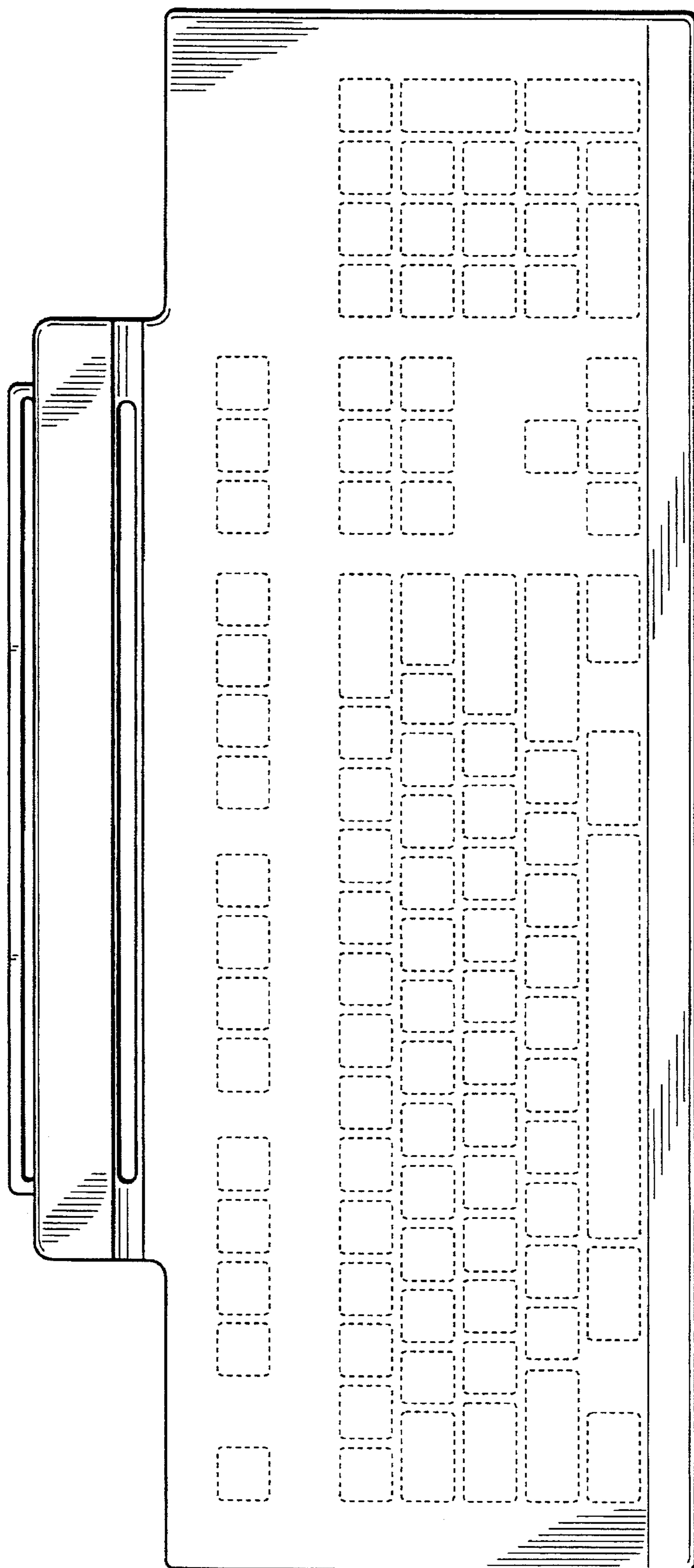


FIG. 6

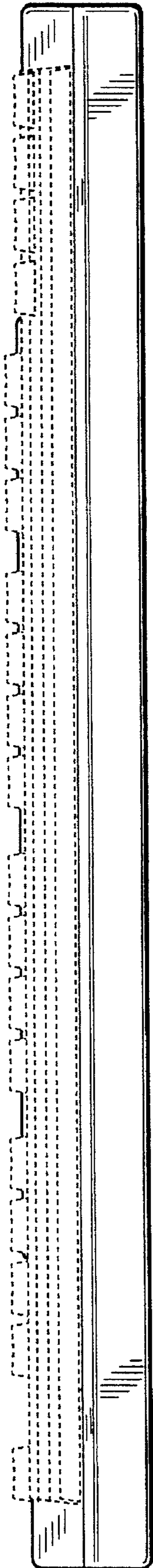


FIG. 5

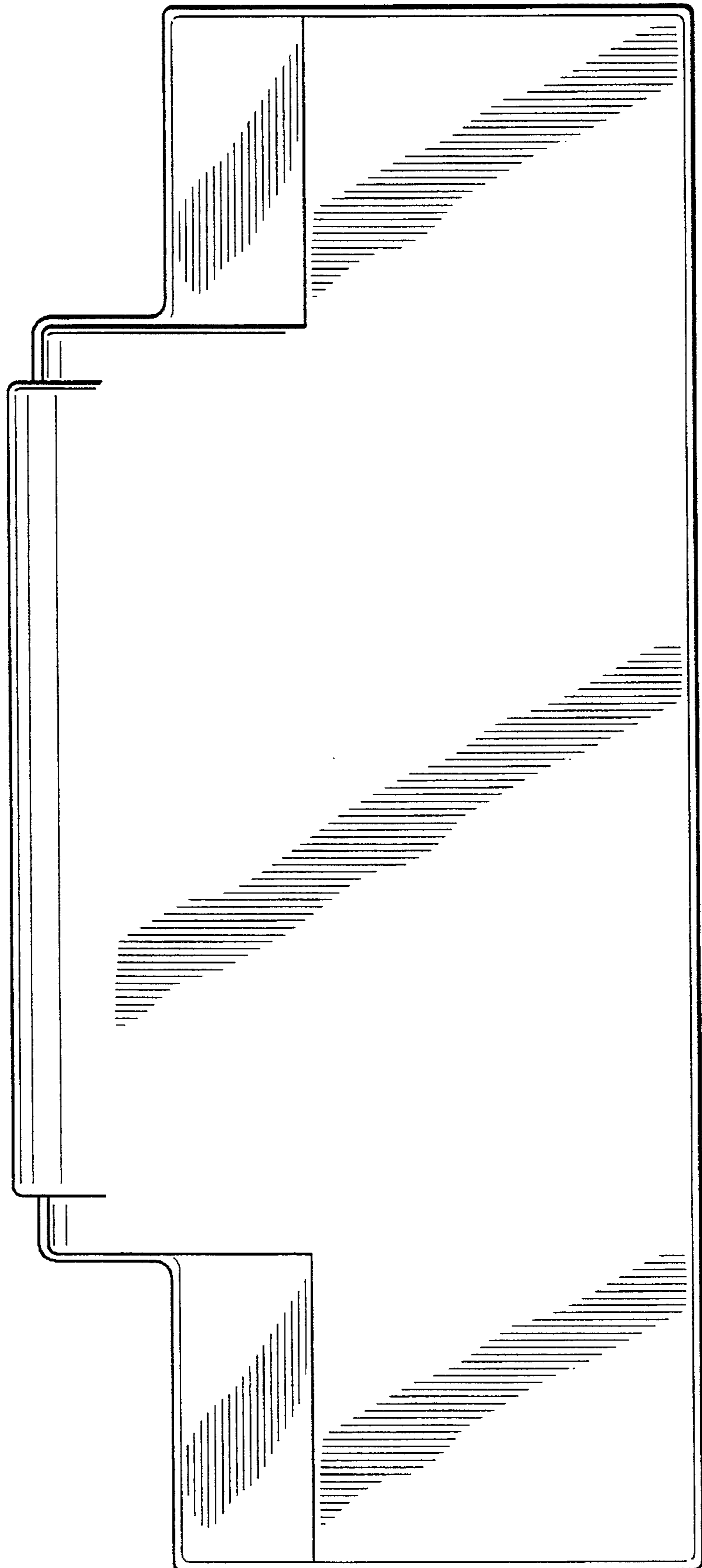


FIG. 7