



US00D365333S

United States Patent [19]

[11] Patent Number: **Des. 365,333**

Mihalik et al.

[45] Date of Patent: ****Dec. 19, 1995**

[54] **STACKABLE MODULAR STORAGE TOWER ASSEMBLY OF SELECTABLE HEIGHT**

D. 316,083 4/1991 Abe et al. D14/102
D. 316,850 5/1991 Gordon et al. D14/102

[75] Inventors: **Michael A. Mihalik**, Beaverton; **Kim S. Porter**, Portland, both of Oreg.

Primary Examiner—Freda Nunn
Attorney, Agent, or Firm—Stoel Rives

[73] Assignee: **Quantum Corporation**, Milpitas, Calif.

[57] **CLAIM**

[**] Term: **14 Years**

The ornamental design for a stackable modular storage tower assembly of selectable height, as shown and described.

[21] Appl. No.: **27,318**

[22] Filed: **Aug. 18, 1994**

DESCRIPTION

Related U.S. Application Data

- [63] Continuation-in-part of Ser. No. 198,630, Feb. 18, 1994.
- [52] **U.S. Cl.** **D14/102**
- [58] **Field of Search** D14/100, 102, D14/107-109; D13/162, 184, 199; D6/421, 422, 423, 432, 396; 312/194, 208.1, 223.2, 223.3; 360/97.01, 97.04, 98.01, 99.01, 99.12; 361/600, 622, 724-728

FIG. 1 is an isometric view of the right and front sides of a stackable modular storage tower assembly of selectable height showing our new design;

FIG. 2 is an isometric view of the top left and front sides thereof;

FIGS. 3 and 4 are respective right side and left side elevation views thereof; and,

FIG. 5 is a rear elevation thereof.

The undisclosed bottom view is unornamented except for the inclusion of the rectangular element shown in the views.

[56] **References Cited**

U.S. PATENT DOCUMENTS

D. 314,949 2/1991 Cermak, III et al. D14/102

1 Claim, 2 Drawing Sheets

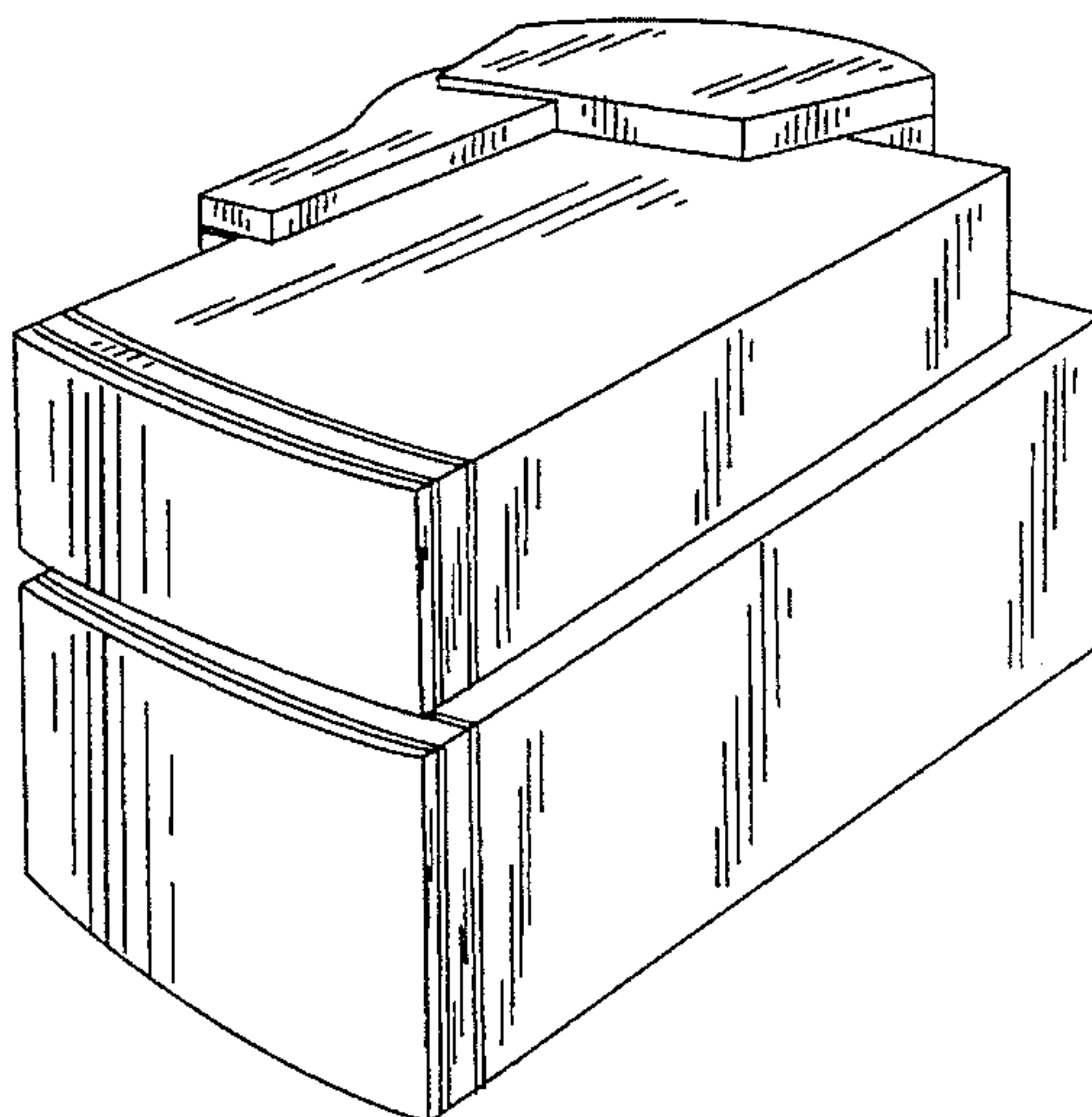
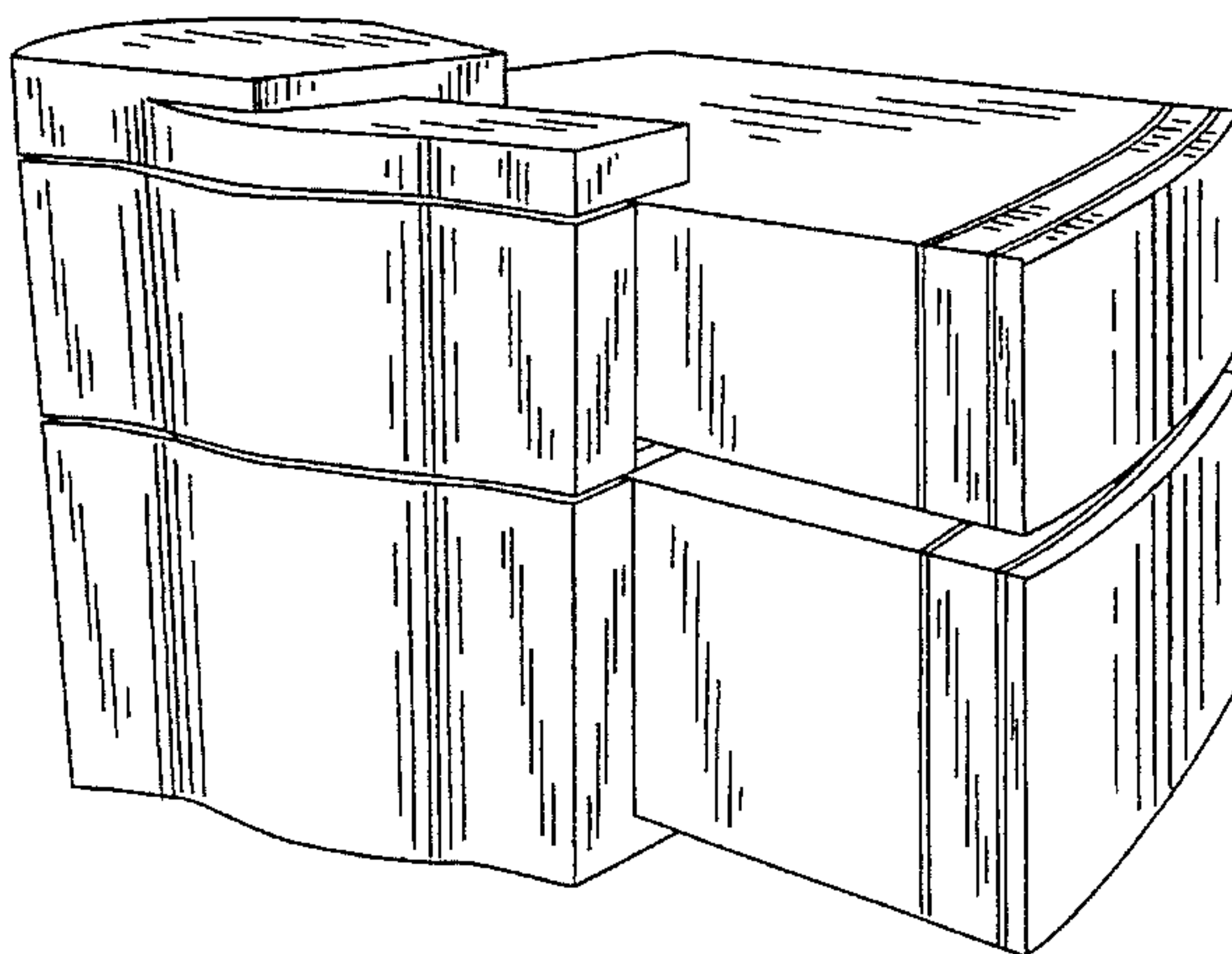


FIG. 1

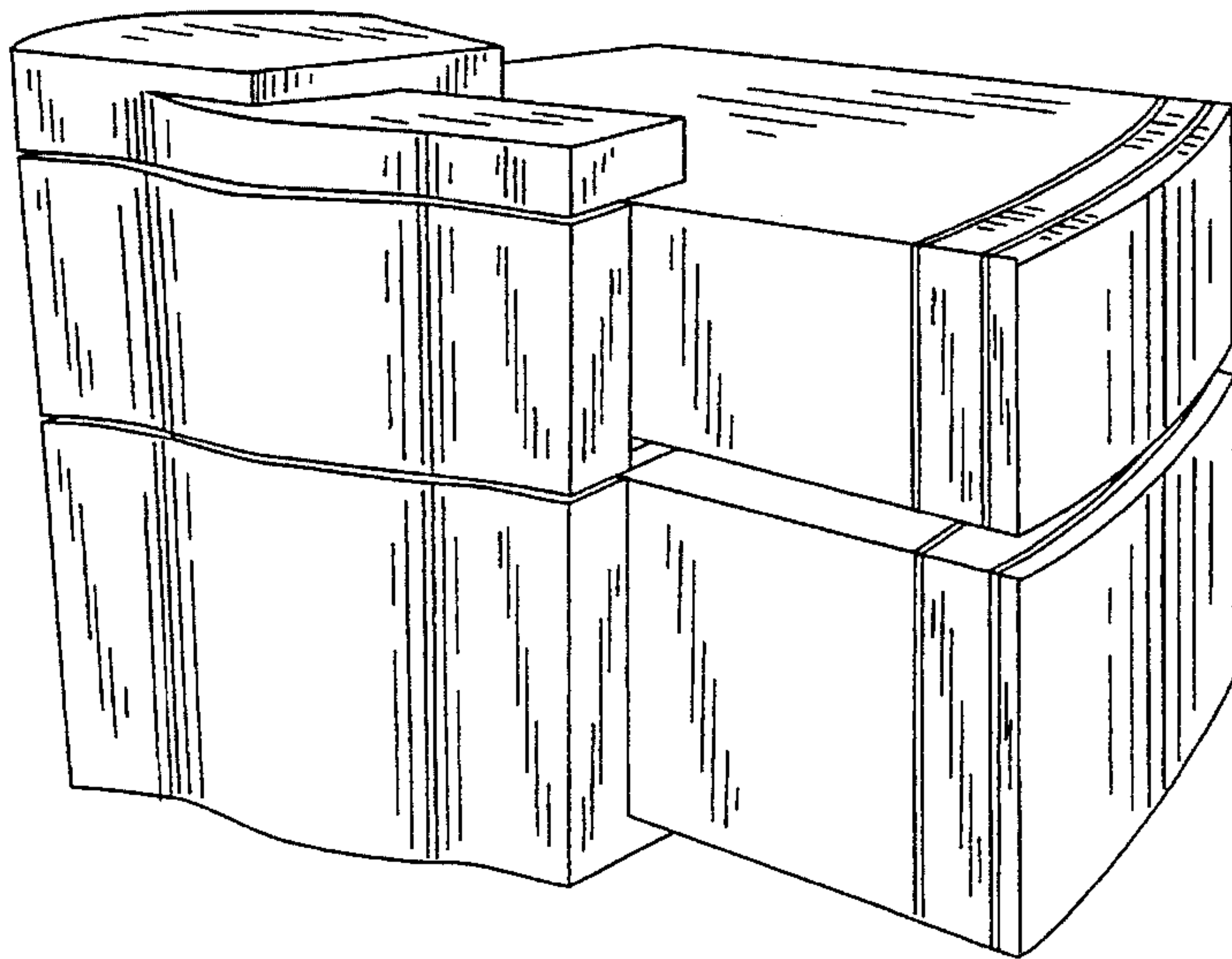


FIG. 2

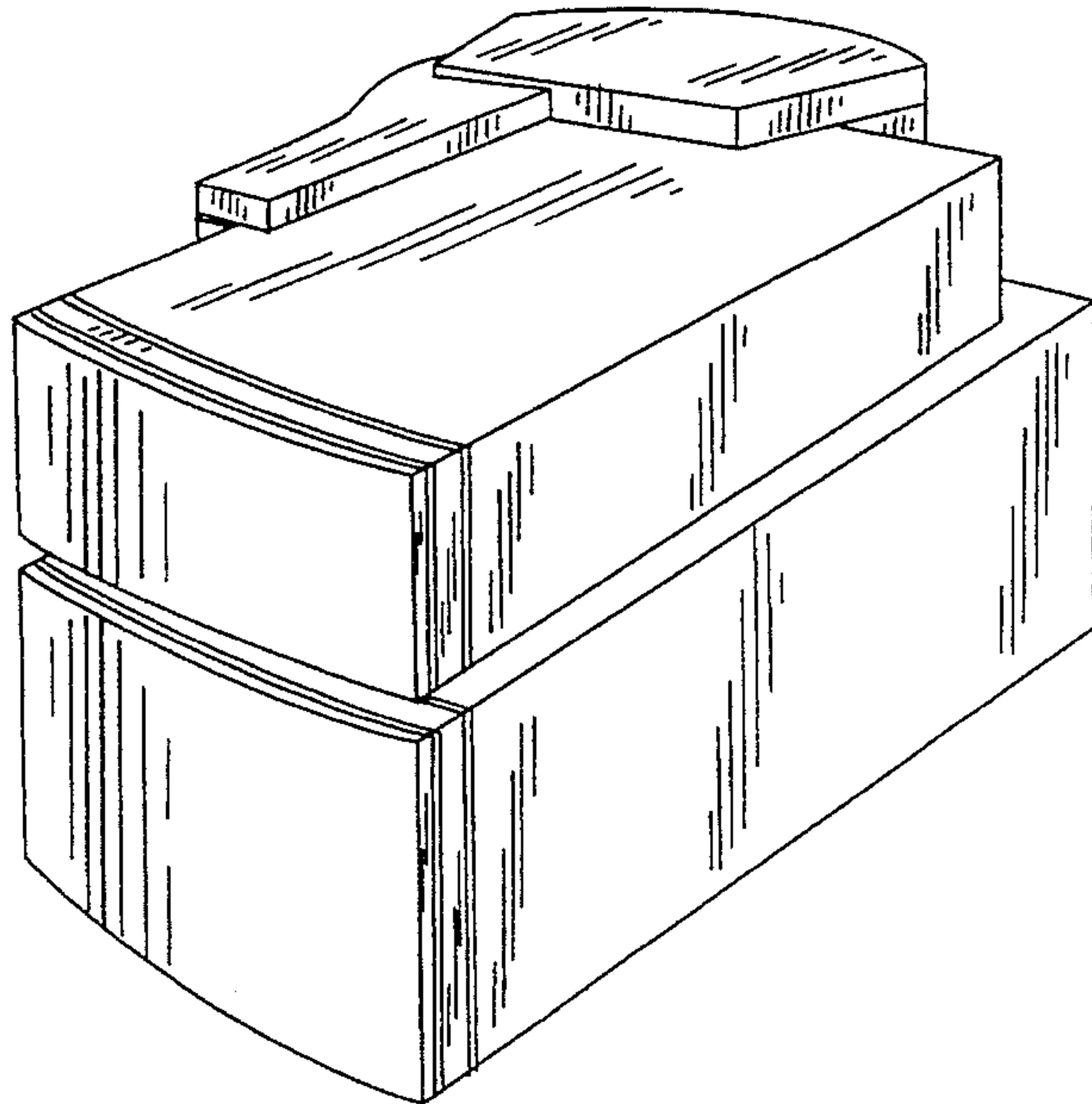


FIG. 3

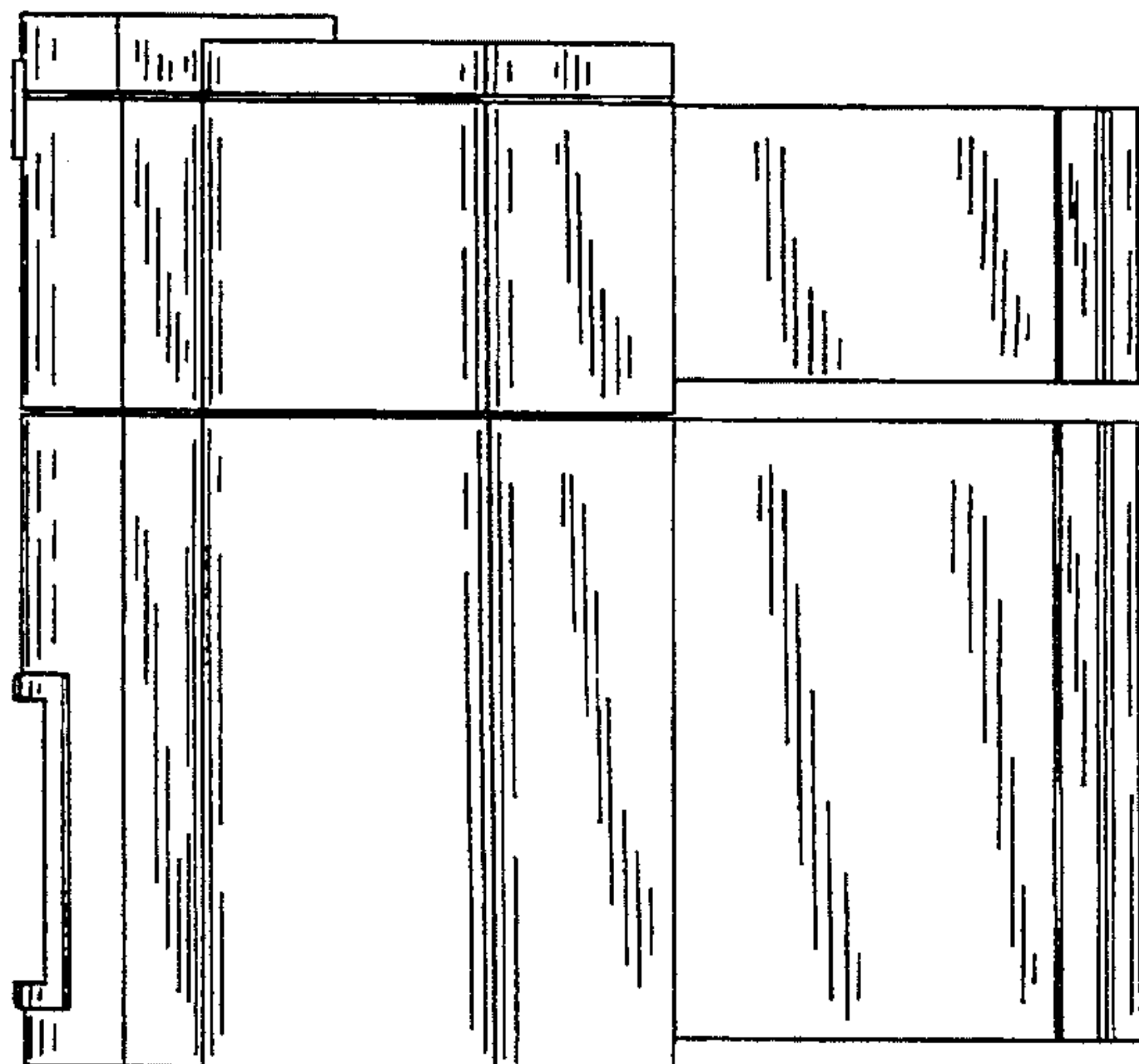


FIG. 4

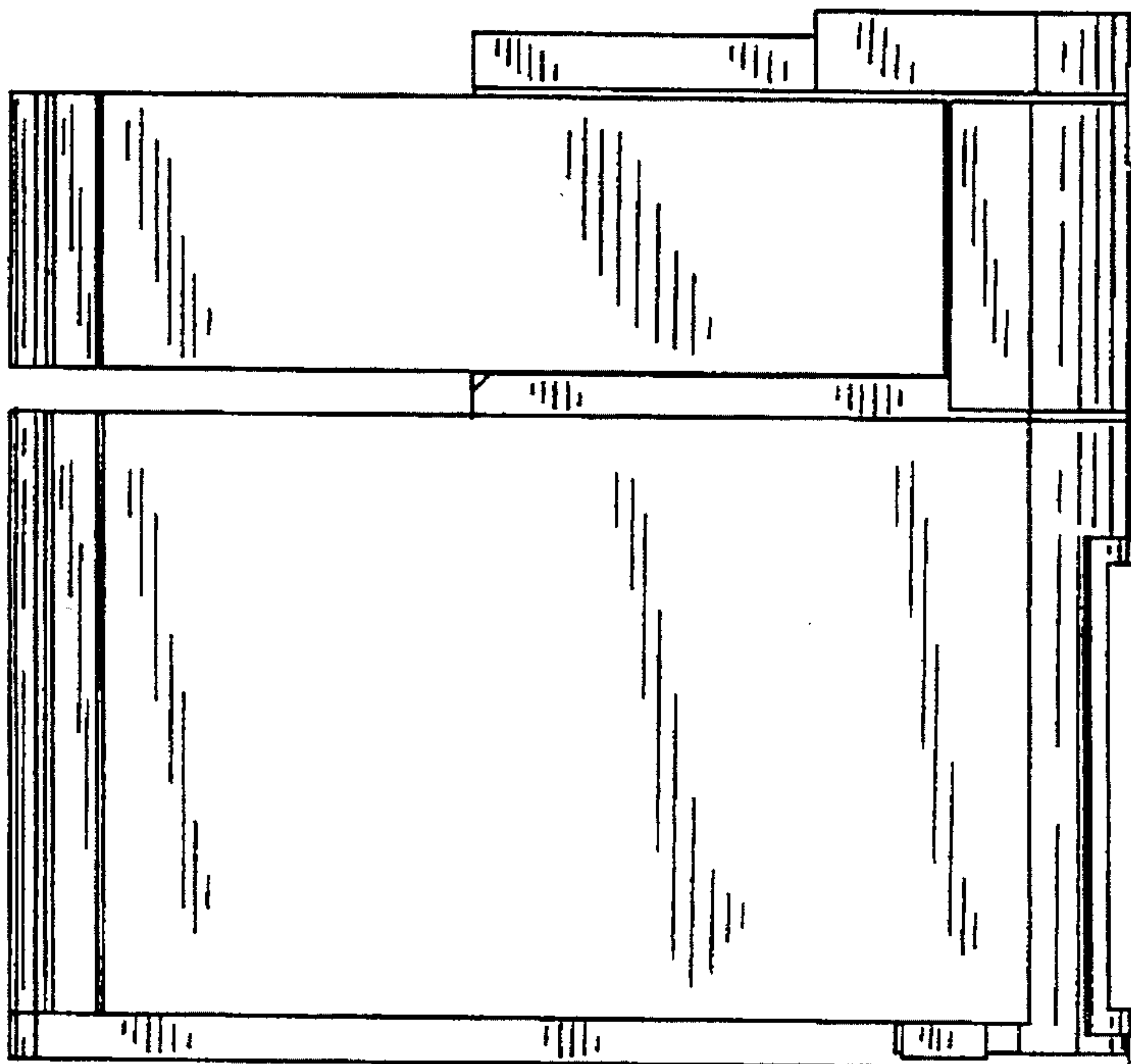


FIG. 5

