



US00D365330S

United States Patent [19]

[11] Patent Number: **Des. 365,330**

Mowery, Jr. et al.

[45] Date of Patent: ****Dec. 19, 1995**

[54] **PORTABLE INSTRUMENT FOR COLLECTING MACHINE DATA**

[75] Inventors: **Billy L. Mowery, Jr.**, Westerville;
Stephan E. Foutz; Paul A. Reeder,
both of Columbus, all of Ohio

[73] Assignee: **IRD Mechanalysis, Inc.**, Columbus,
Ohio

[**] Term: **14 Years**

[21] Appl. No.: **23,115**

[22] Filed: **May 18, 1994**

[52] U.S. Cl. **D14/100**

[58] Field of Search D14/100, 101,
D14/106, 113, 105, 115, 107, 116, 124-127;
D19/26, 52, 59, 60, 62, 88; 364/550, 551,
508, 483, 900, 464, 708.1, 551, 709.04,
709.12; 73/659, 660, 476; 345/104, 156,
173, 901, 905, 168; 434/307-309, 317;
178/18, 19; D10/46; 355/64, 65, 75, 231,
233; 348/373-376; 235/454, 462, 470,
476, 483, 482, 380, 382, 382.5, 441; 250/566,
568, 569

[56] **References Cited**

U.S. PATENT DOCUMENTS

D. 253,438 11/1979 Markley D19/88 X

D. 306,158 2/1990 Ashihara D14/113
D. 346,823 5/1994 Aiken et al. D19/60 X
D. 354,948 1/1995 Moodie D14/100
4,090,247 5/1978 Martin 364/900
4,133,034 1/1979 Etter 364/464

OTHER PUBLICATIONS

NEC Advertisement Oct. 26, 1992 *Laptop Computer*.

Primary Examiner—Freda Nunn
Attorney, Agent, or Firm—Mueller and Smith

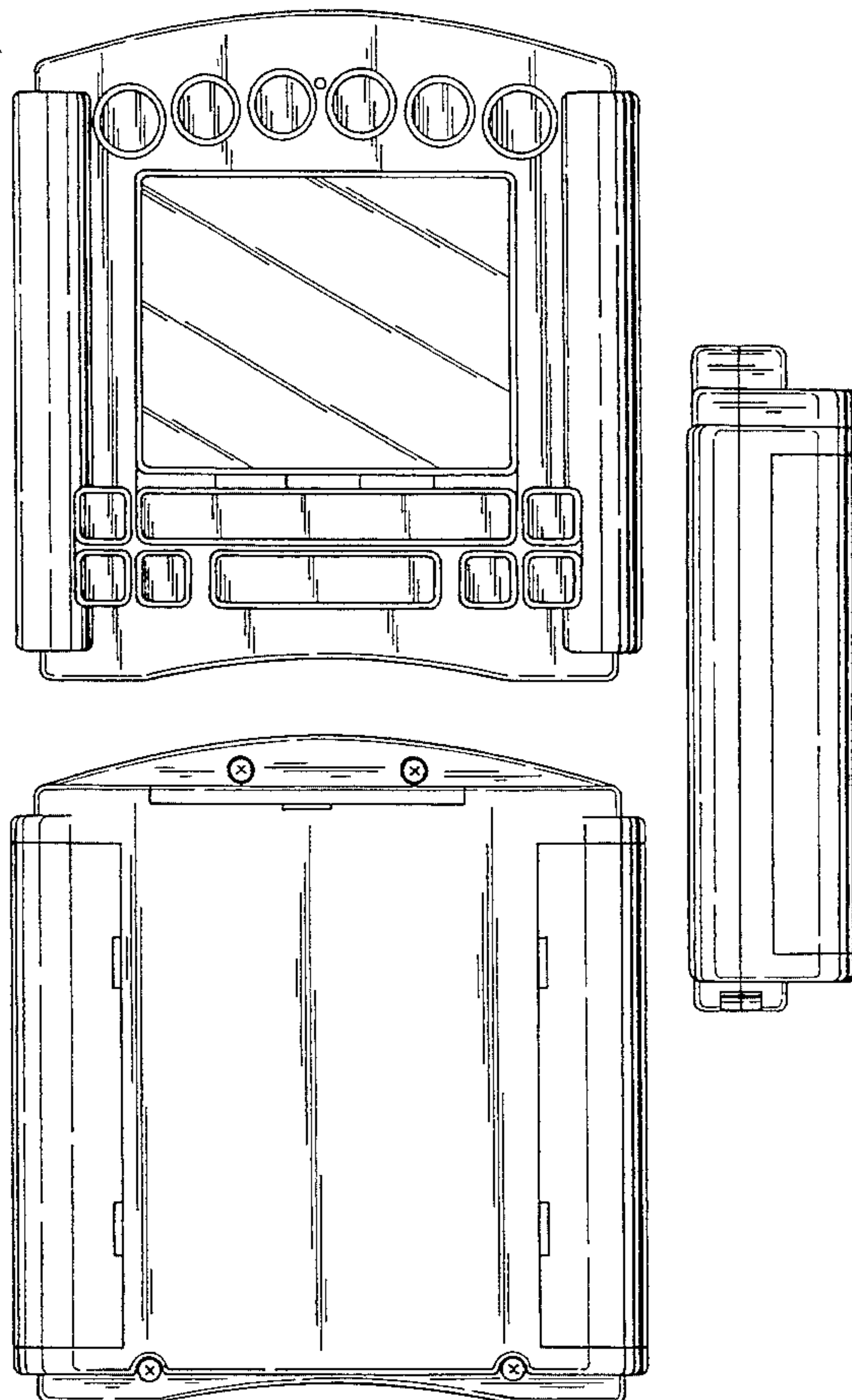
[57] **CLAIM**

The ornamental design for a portable instrument for collecting machine data, as shown and described.

DESCRIPTION

FIG. 1 is a front view of the portable instrument for collecting machine data showing our new design;
FIG. 2 is a top view thereof;
FIG. 3 is a bottom view thereof;
FIG. 4 is a rear view thereof; and,
FIG. 5 is a side view thereof, the opposite side being a mirror image.

1 Claim, 2 Drawing Sheets



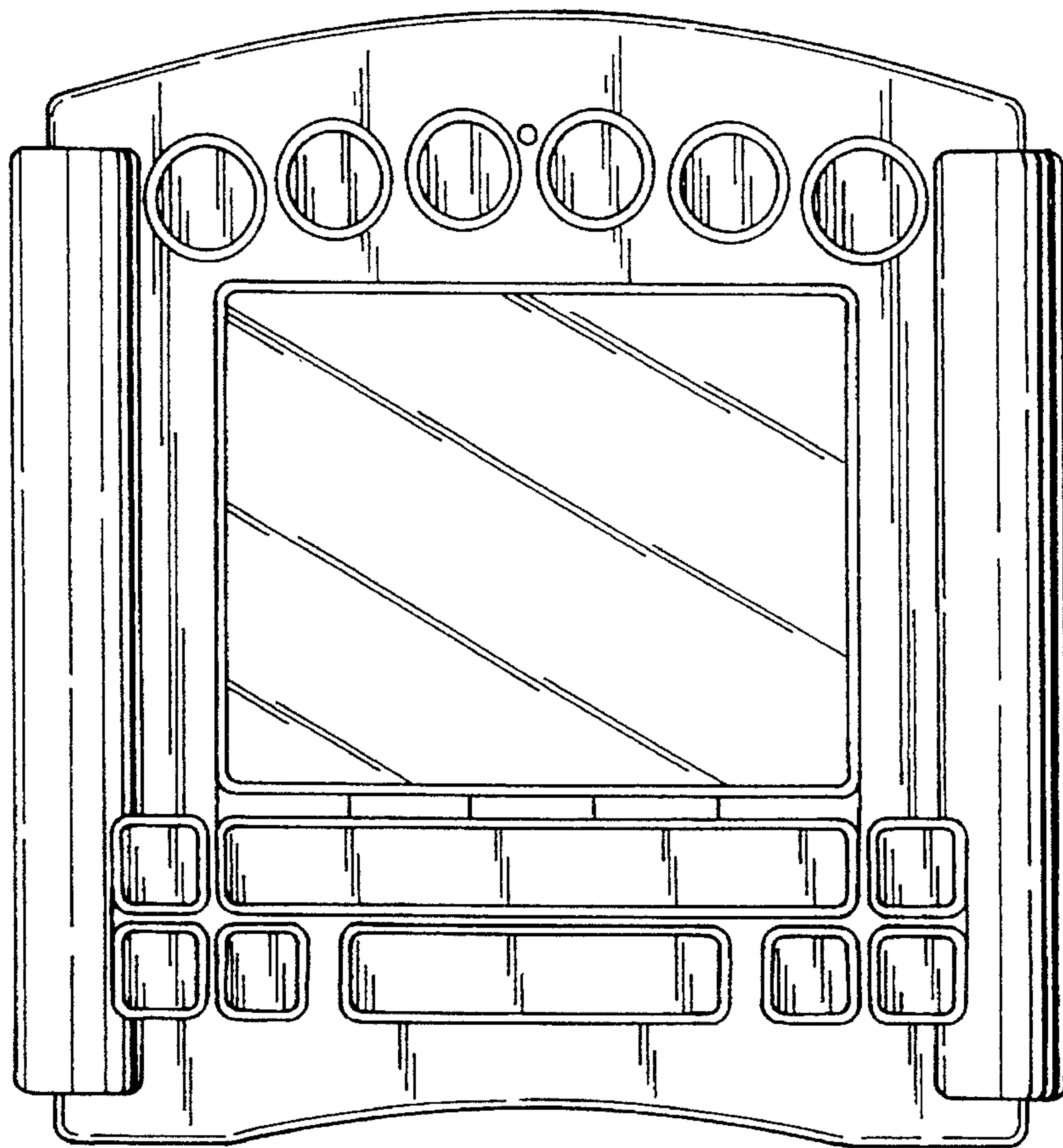


FIG. 1

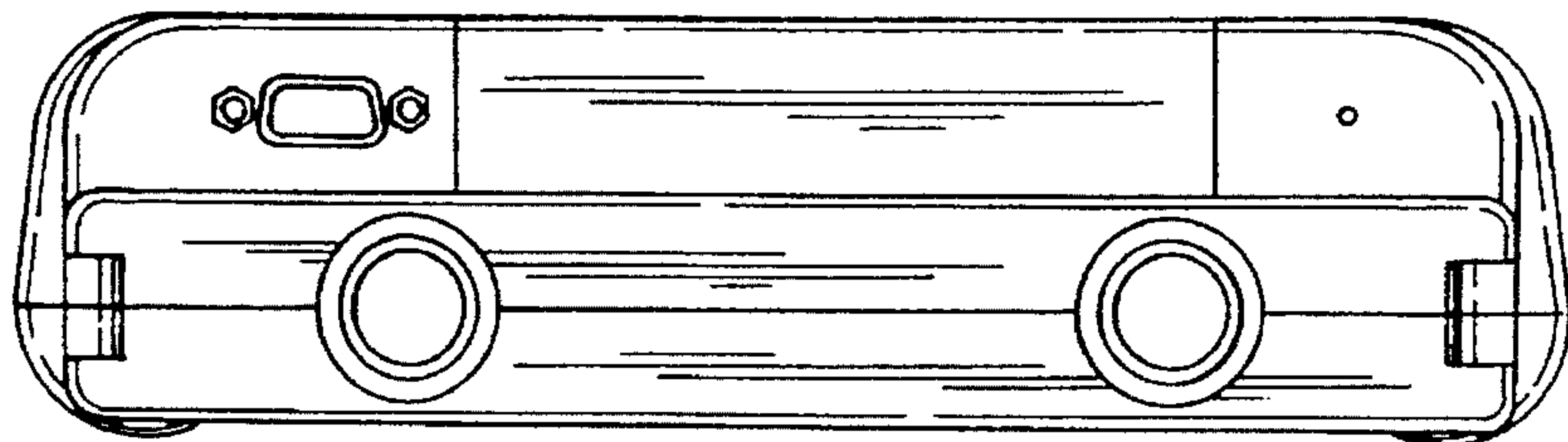


FIG. 2

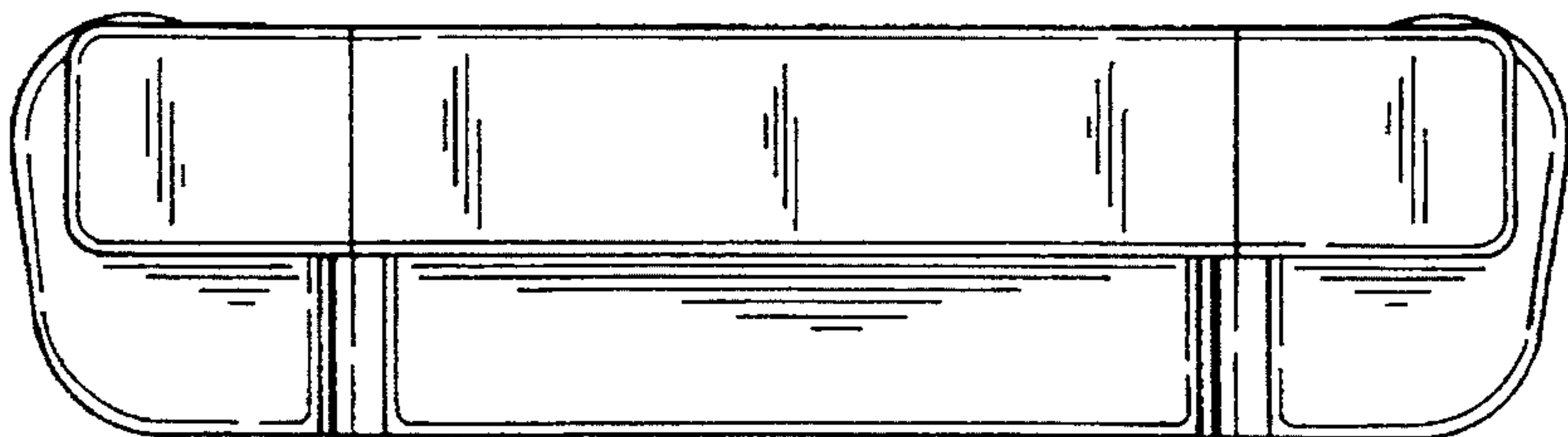


FIG. 3

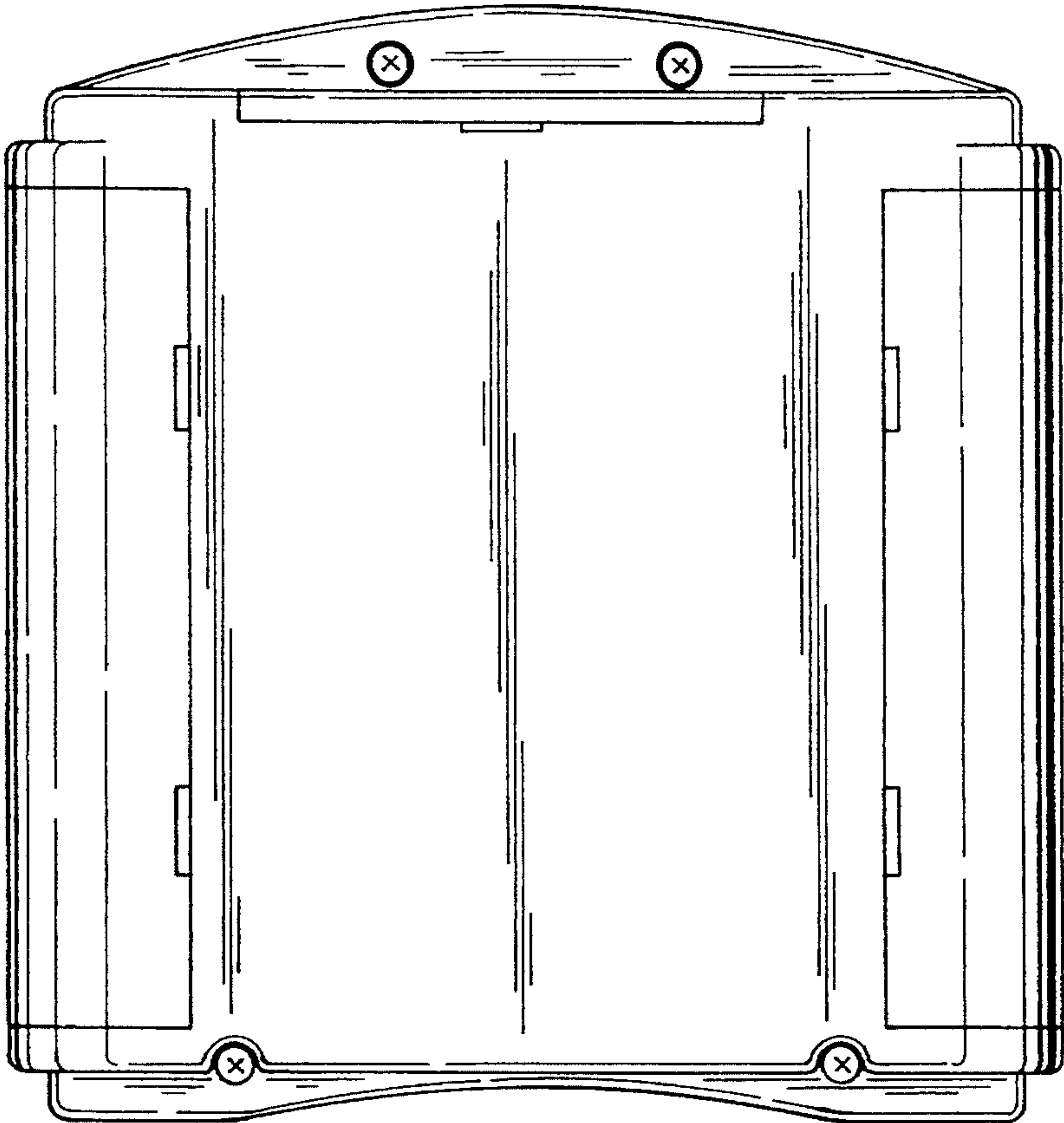


FIG. 4

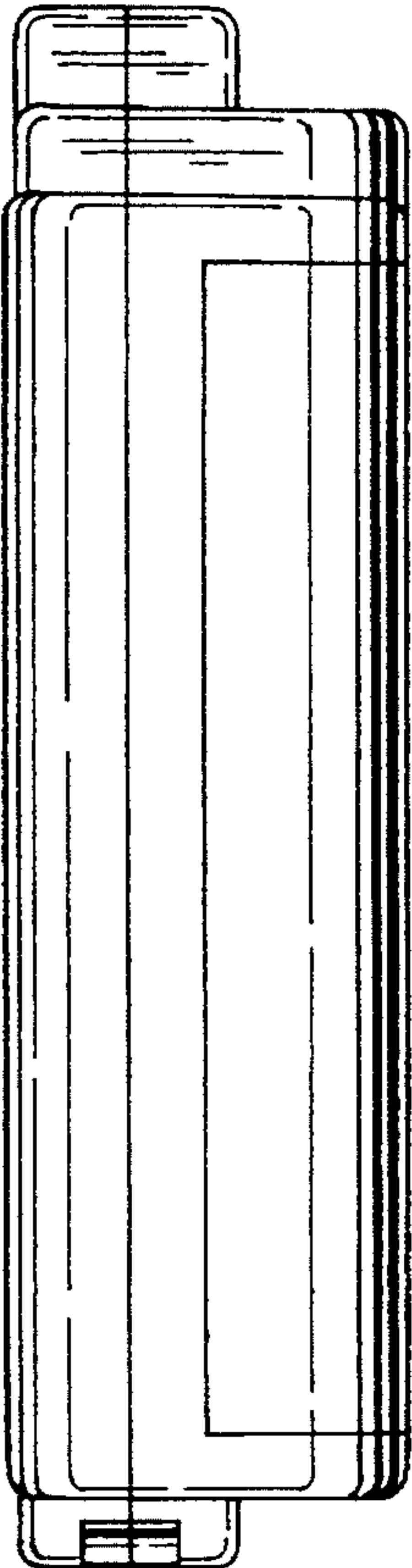


FIG. 5