



US00D365328S

United States Patent [19]

Myers et al.

[11] Patent Number: Des. 365,328

[45] Date of Patent: **Dec. 19, 1995

[54] MOTORCYCLE IGNITION SWITCH LOCK

[75] Inventors: Gary L. Myers, Monee, Ill.; Robert Courtwright, Evans, Ga.

[73] Assignee: Fort Lock Corporation, River Grove, Ill.

[**] Term: 14 Years

[21] Appl. No.: 22,345

[22] Filed: May 4, 1994

[52] U.S. Cl. D13/158

[58] Field of Search D13/126, 158, D13/177; 200/43.03, 43.16, 43.22, 51.17, 333; 70/237

[56] References Cited

U.S. PATENT DOCUMENTS

D. 193,186	7/1962	Marcoux	D13/158
4,074,550	2/1978	Rowlings	70/237
4,123,924	11/1978	Dworkis	70/237
4,713,509	12/1987	Chebowski	200/333 X

Primary Examiner—Joel Sincavage
Attorney, Agent, or Firm—Leydig, Voit & Mayer

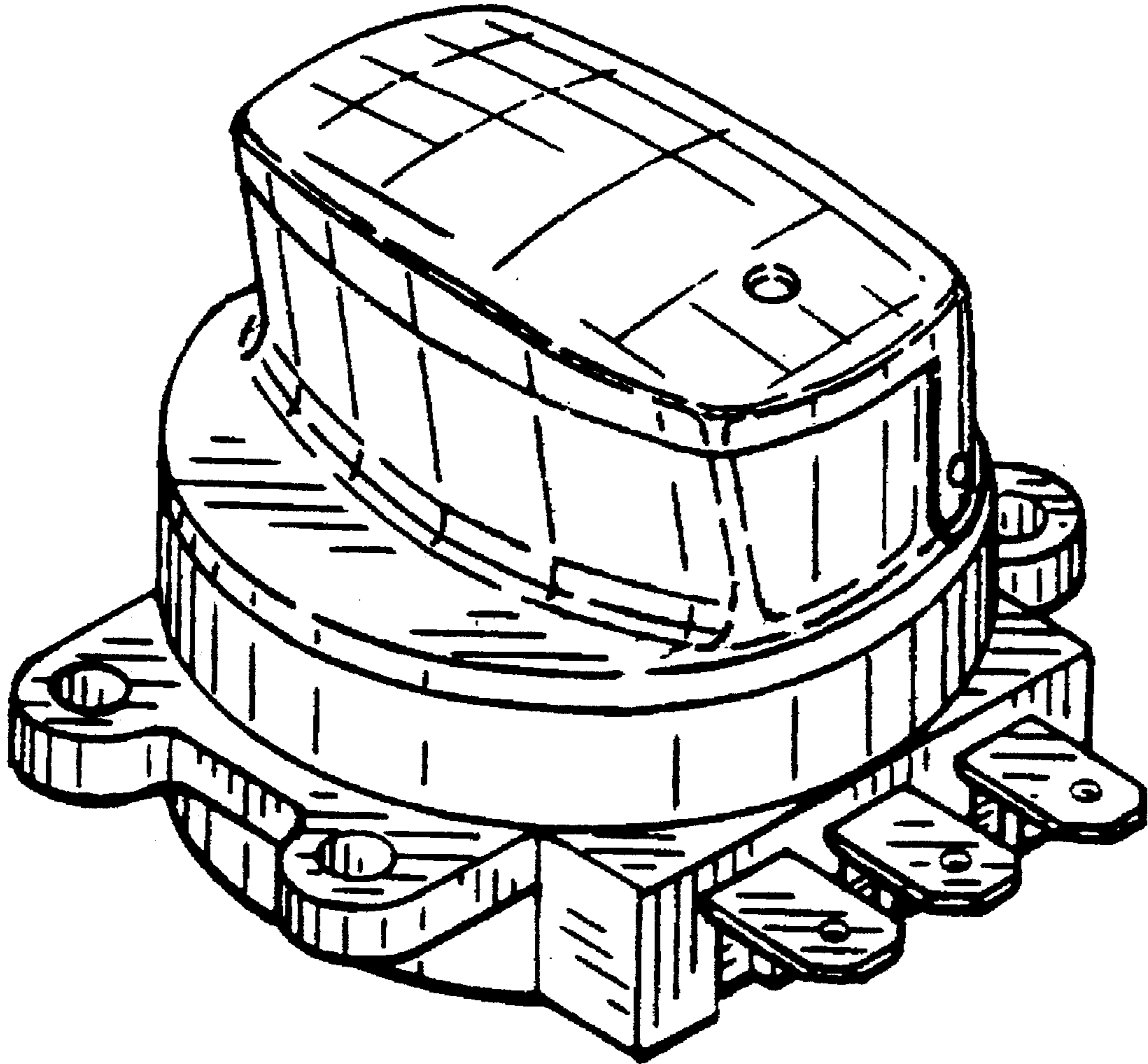
[57] CLAIM

The ornamental design for a motorcycle ignition switch lock, as shown and described.

DESCRIPTION

FIG. 1 is a top perspective view of a motorcycle ignition switch lock showing my new design; FIG. 2 is a rear side elevational view thereof; FIG. 3 is a left side elevational view thereof; FIG. 4 is a front side elevational view thereof; FIG. 5 is a top plan view thereof; FIG. 6 is a bottom plan view thereof; FIG. 7 is a side view of the motorcycle ignition switch lock with the cover open; FIG. 8 is a top plan view thereof; FIG. 9 is a bottom perspective view, as seen from the left, of the motorcycle ignition switch lock; and, FIG. 10 is a top perspective view, as seen from the left, of the motorcycle ignition switch lock with the cover open.

1 Claim, 2 Drawing Sheets



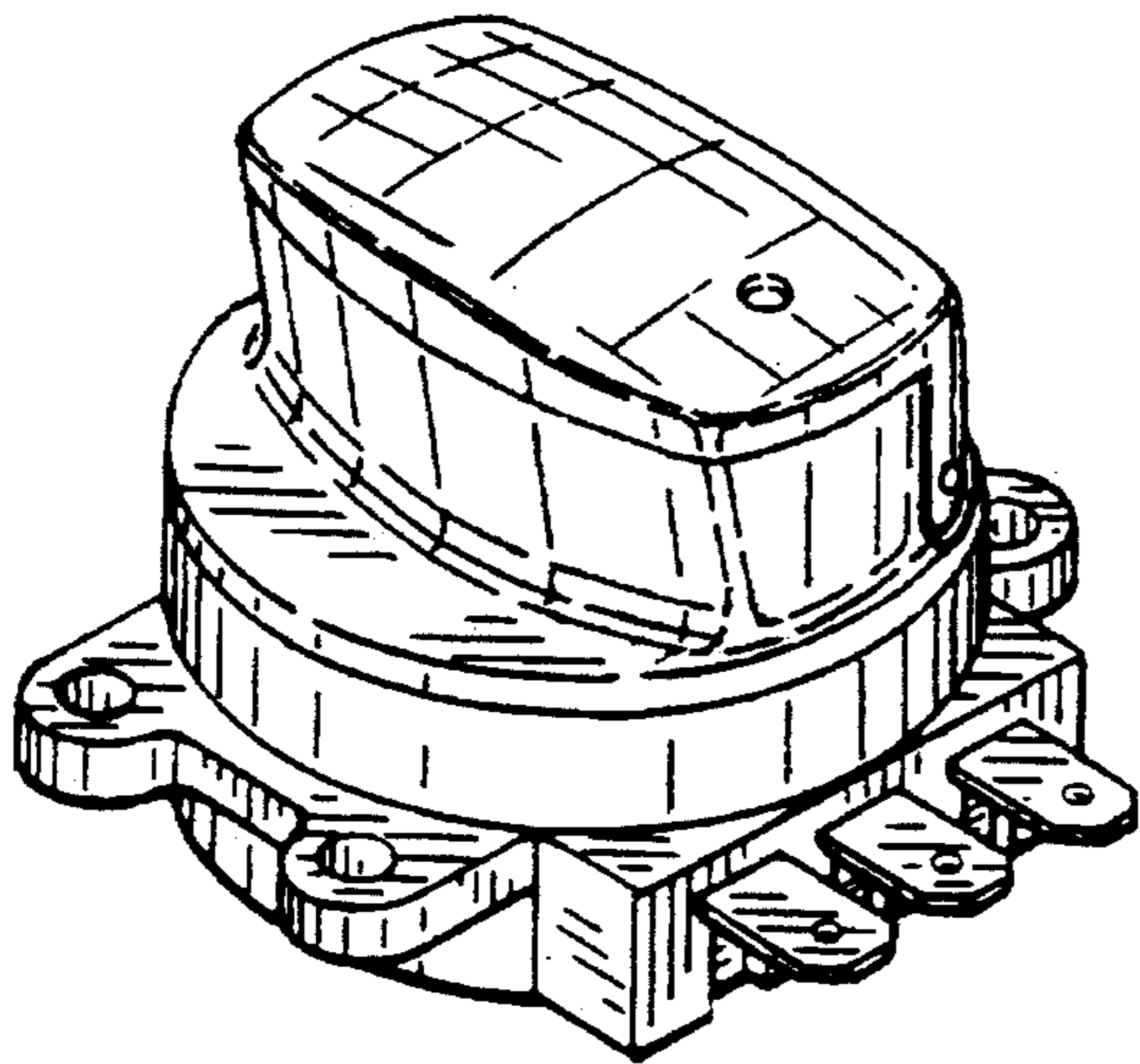


FIG. 1

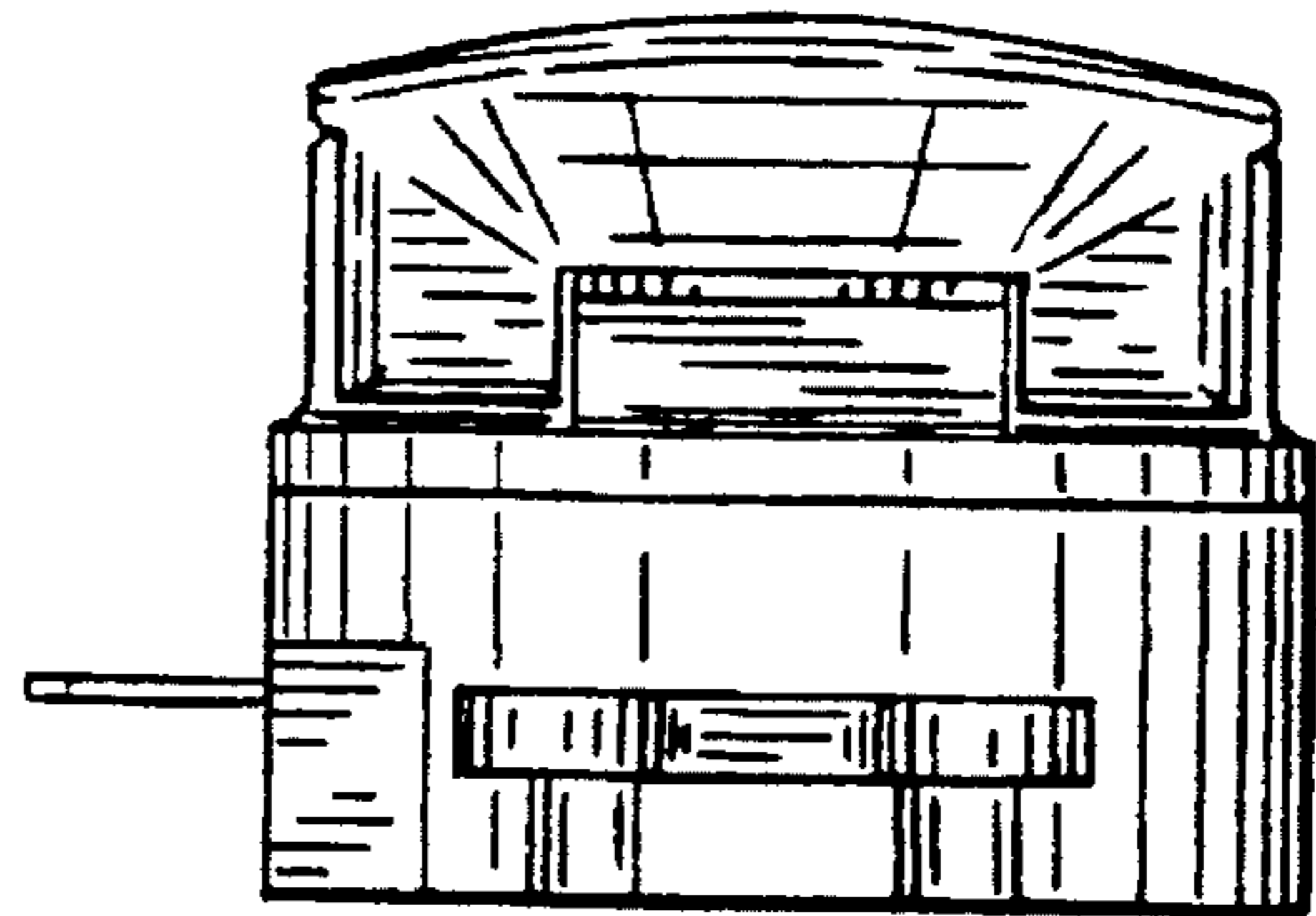


FIG. 2

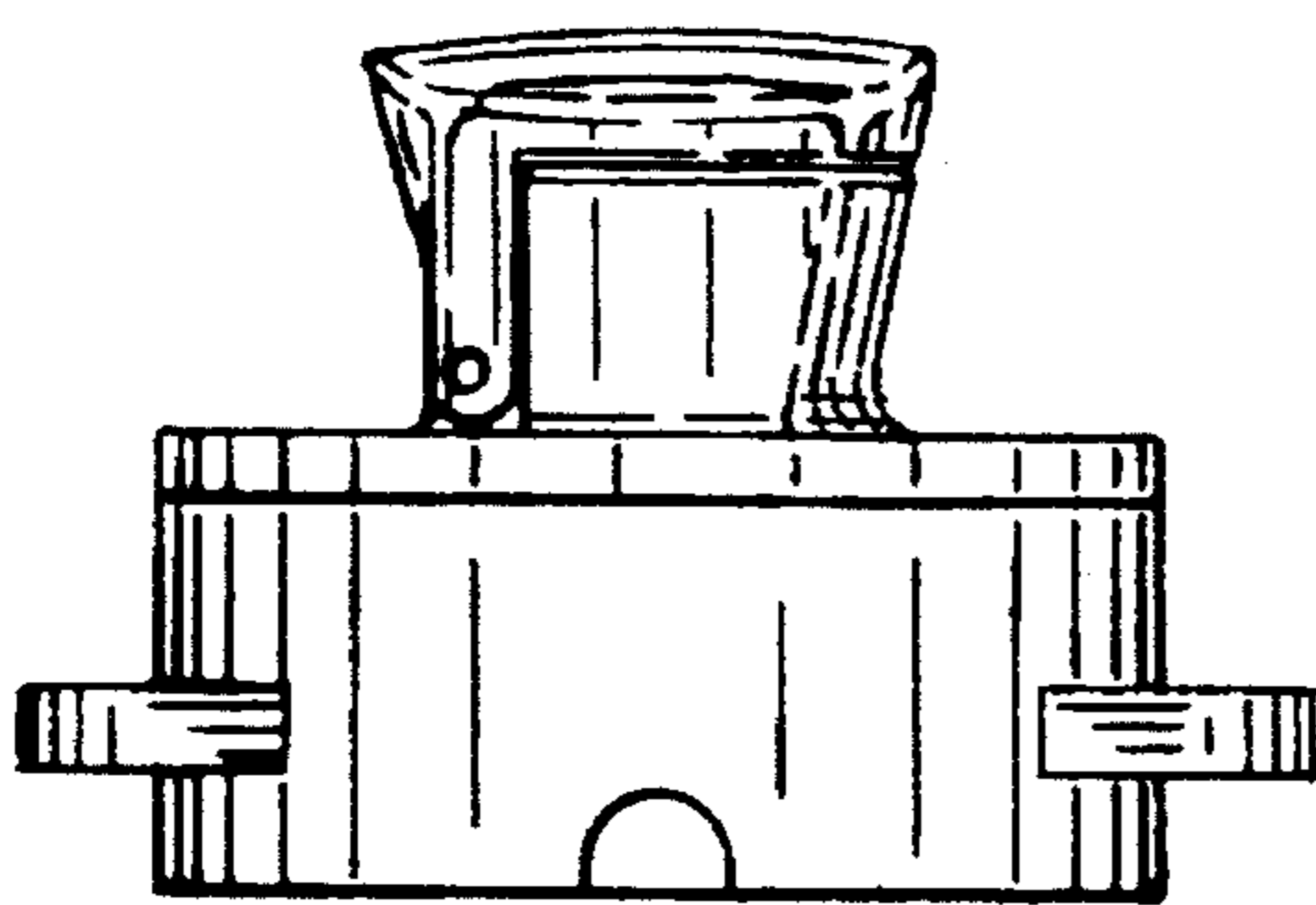


FIG. 3

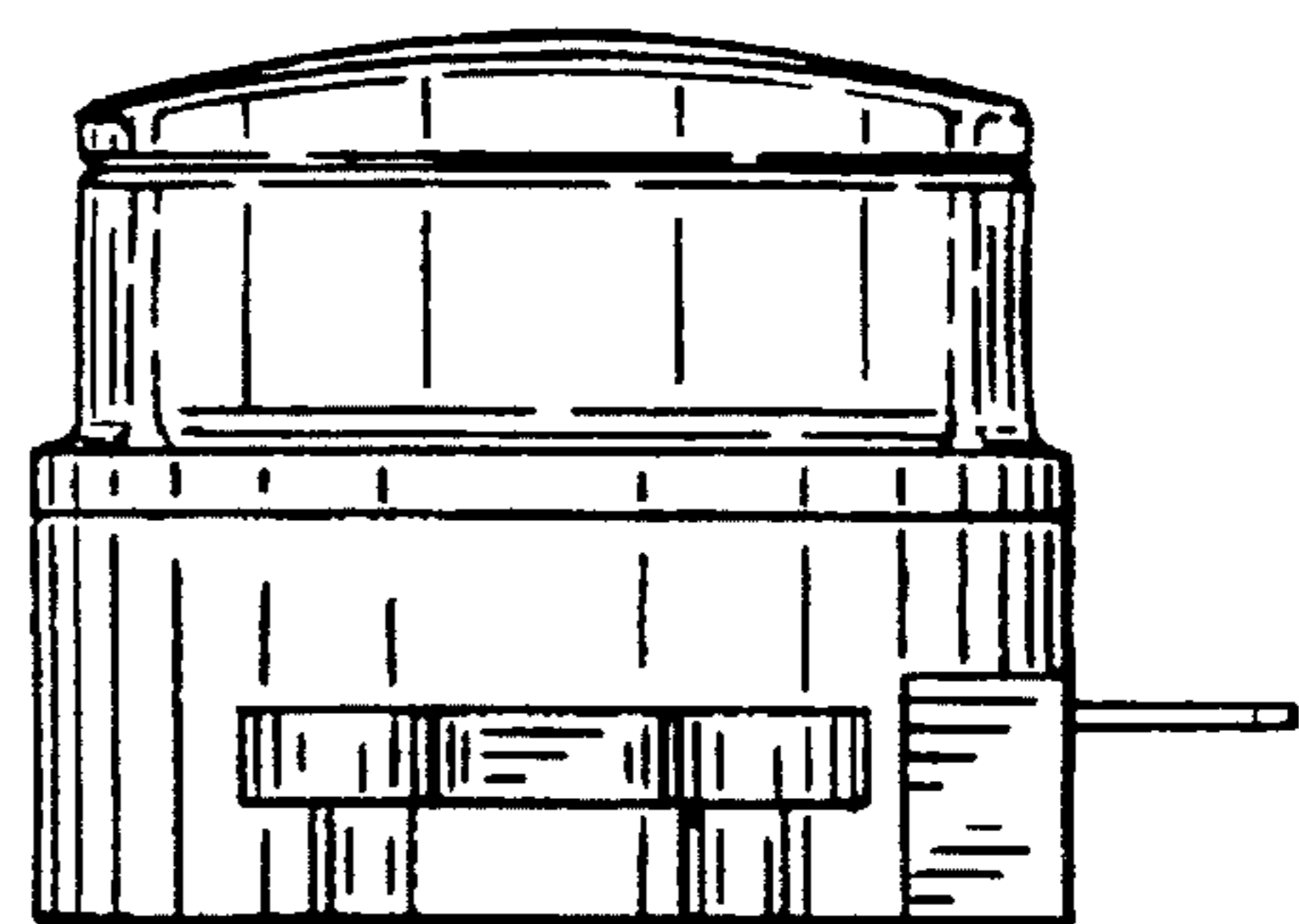


FIG. 4

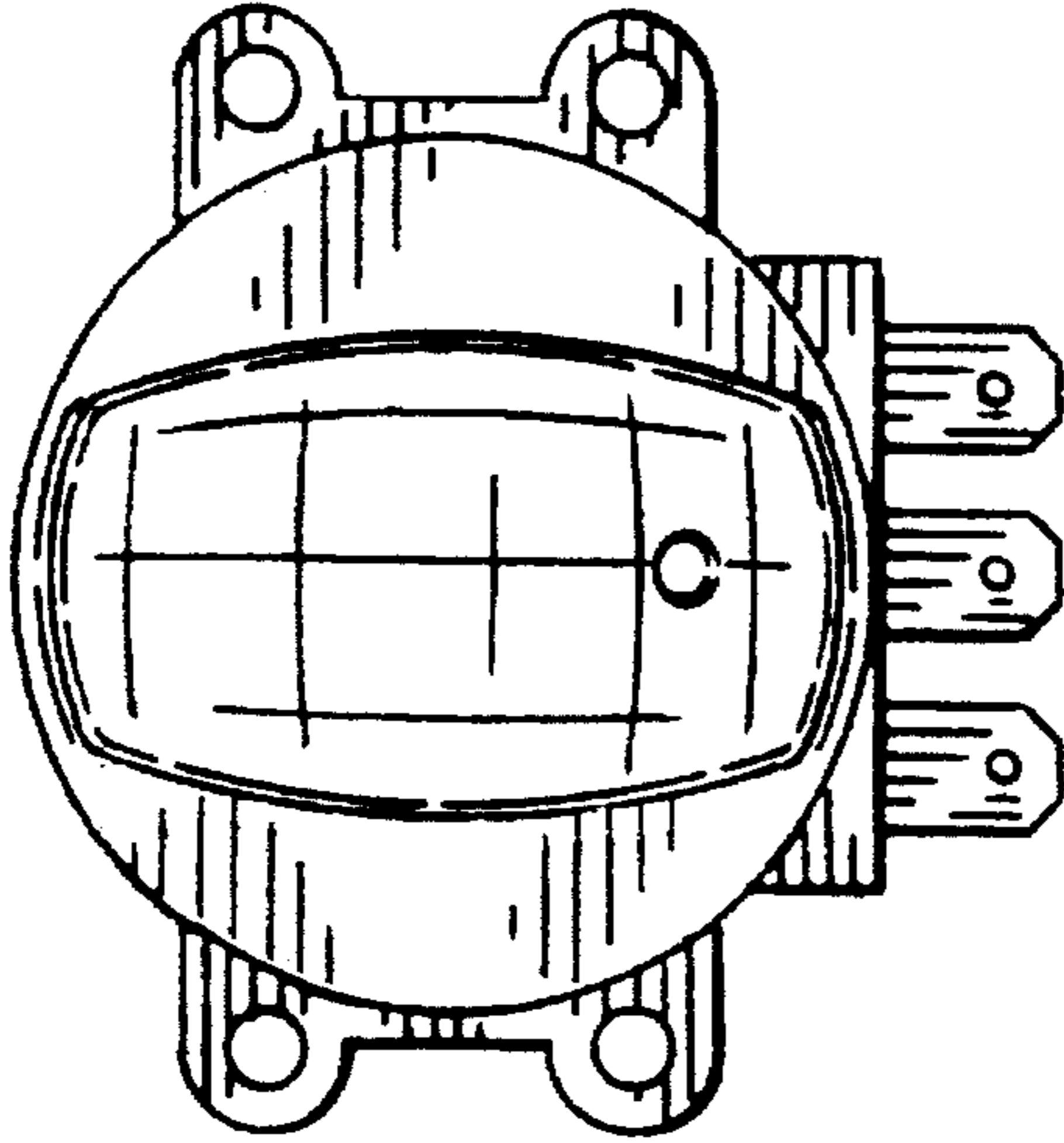


FIG. 5

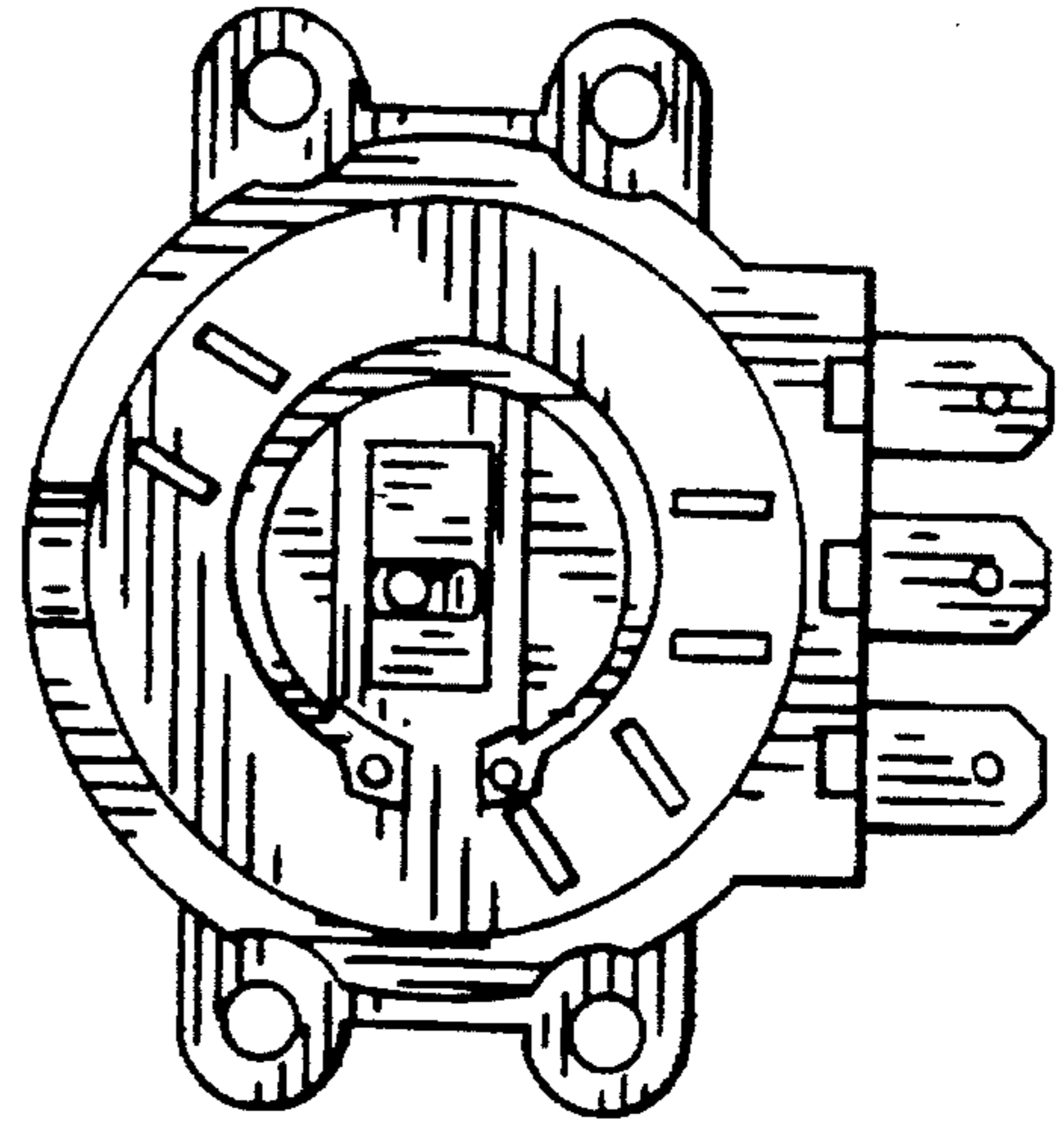


FIG. 6

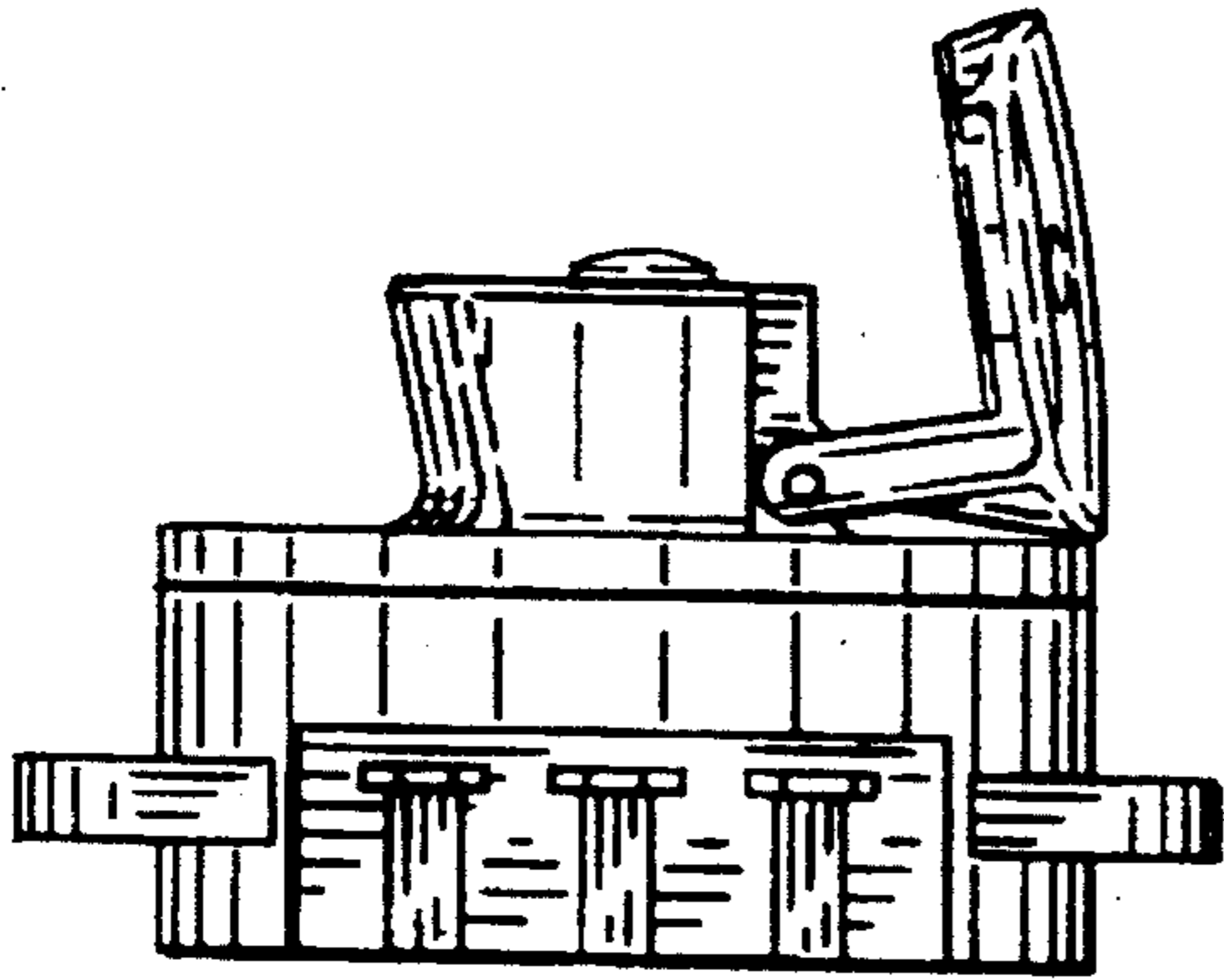


FIG. 7

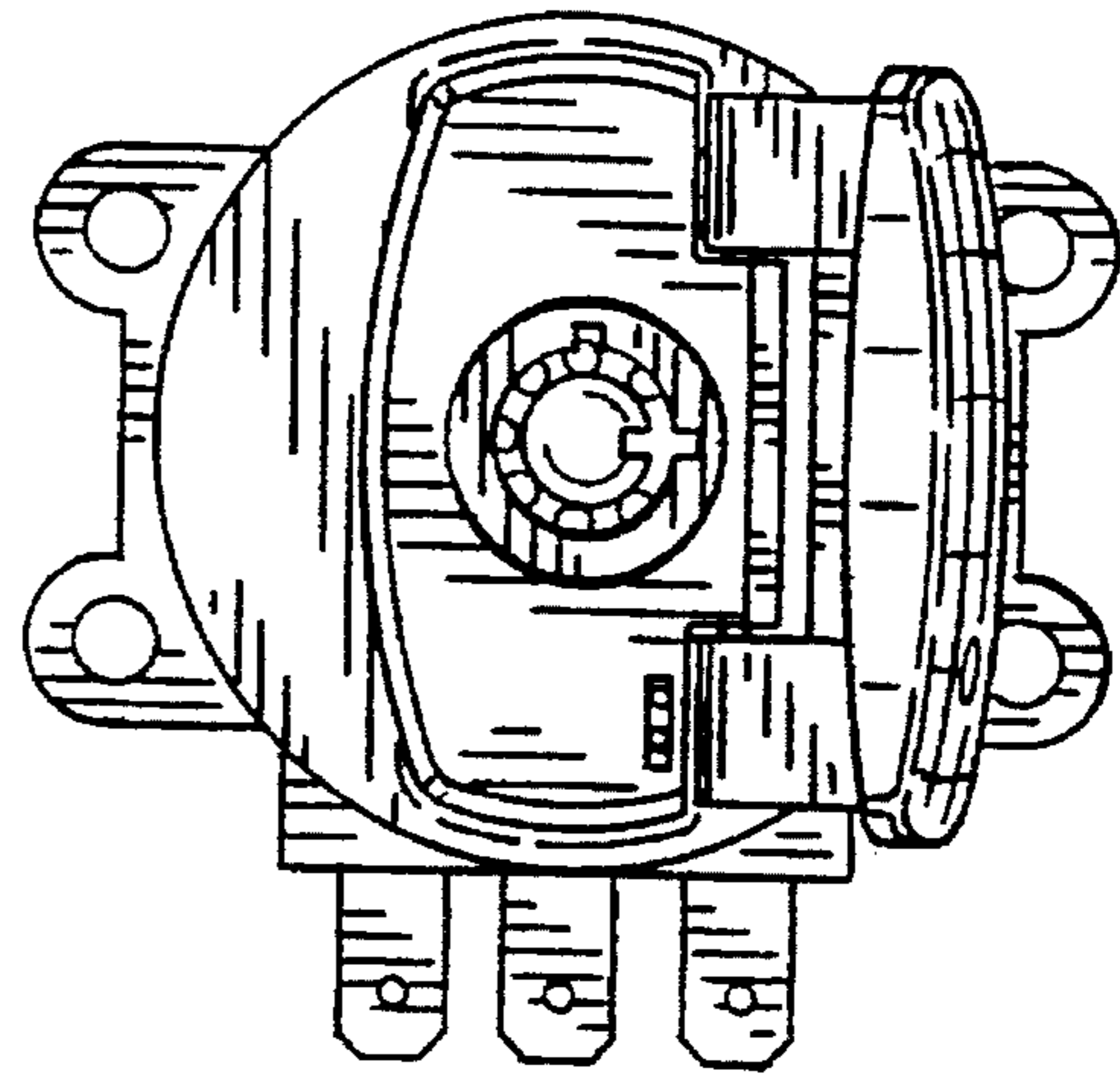


FIG. 8