



US00D365326S

United States Patent [19]

Starec et al.

[11] Patent Number: **Des. 365,326**

[45] Date of Patent: ****Dec. 19, 1995**

[54] **ELECTRICAL JUNCTION BOX**
[75] Inventors: **Rado Starec**, Tullamarine; **Antonino Schiavello**, Templestowe; **James G. Cowhey**, Bulleen, all of Australia

[73] Assignee: **Light On Pty Ltd**, Tullamarine, Australia

[**] Term: **14 Years**

[21] Appl. No.: **18,901**

[22] Filed: **Feb. 16, 1994**

[30] Foreign Application Priority Data

Aug. 19, 1993 [AU] Australia 2556/93

[52] U.S. Cl. **D13/146**; D13/152

[58] Field of Search D13/146, 147, D13/152; 174/50, 52.1, 59; 439/505, 535, 540, 626, 628, 680; 220/4.02

[56] References Cited

U.S. PATENT DOCUMENTS

D. 233,667 11/1974 Knute D13/146
D. 251,906 5/1979 Frantz et al. D13/147
D. 281,876 12/1985 Kelly D13/147

4,979,910 12/1990 Revil et al. 439/358 X
5,166,995 11/1992 Briggs et al. D13/133 X
5,171,159 12/1992 Byrne 439/215
5,178,555 1/1993 Kilpatrick et al. 439/535 X

FOREIGN PATENT DOCUMENTS

223080 8/1992 Japan .
223079 8/1992 Japan .

Primary Examiner—Joel Sincavage
Attorney, Agent, or Firm—Chilton, Alix & Van Kirk

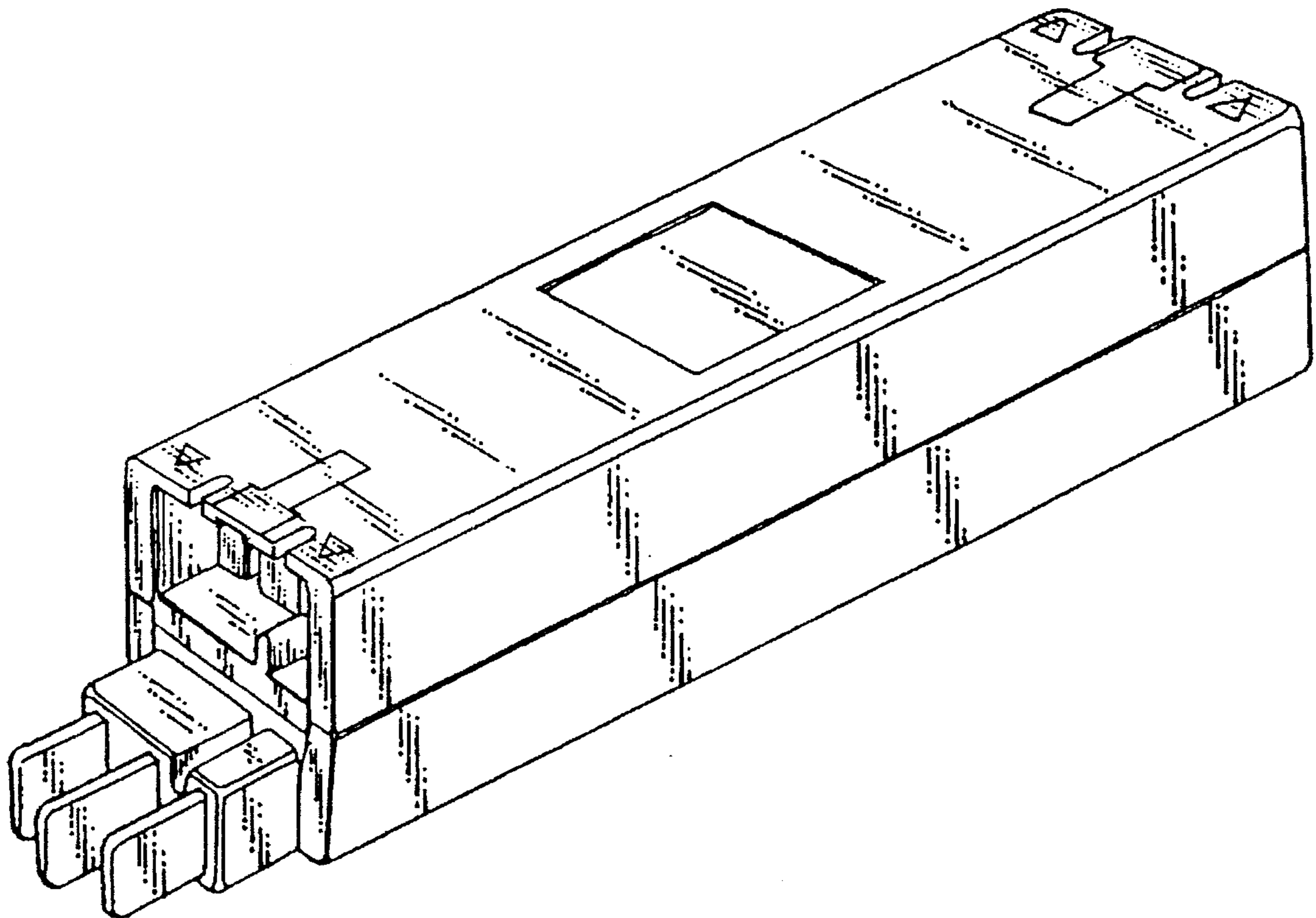
[57] CLAIM

The ornamental design for an electrical junction box, as shown and described.

DESCRIPTION

FIG. 1 is a perspective view of the electrical junction box showing our new design;
FIG. 2 is a side elevational view thereof;
FIG. 3 is a rear elevational view thereof;
FIG. 4 is a front elevational view thereof;
FIG. 5 is a top plan view thereof;
FIG. 6 is a bottom plan view thereof; and,
FIG. 7 is a bottom perspective view thereof.

1 Claim, 2 Drawing Sheets



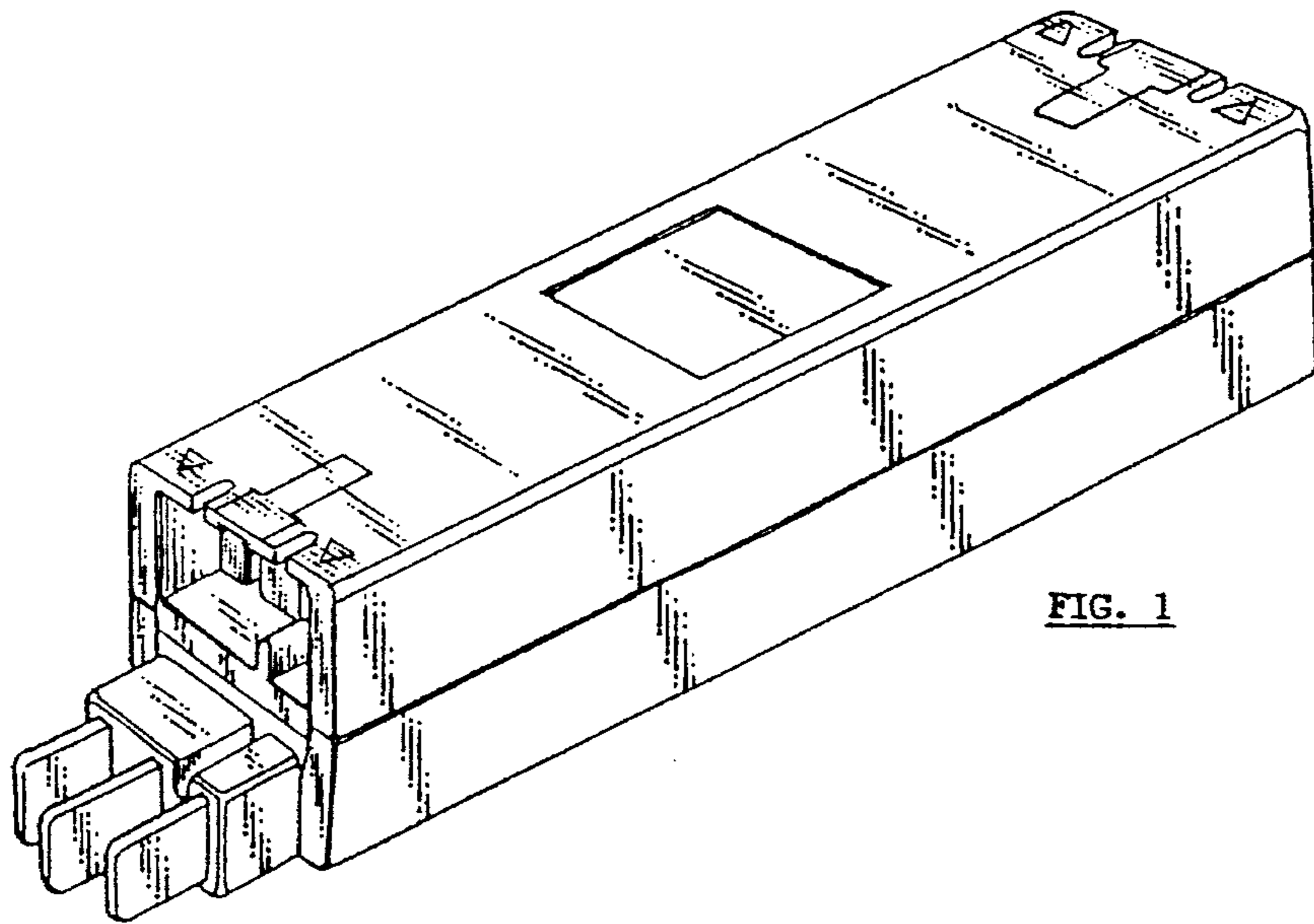


FIG. 1

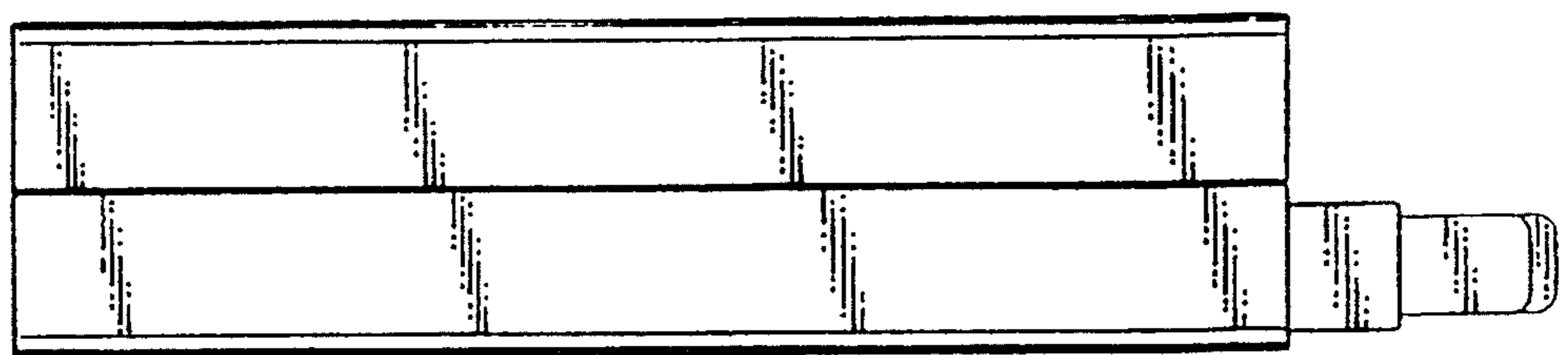


FIG. 2

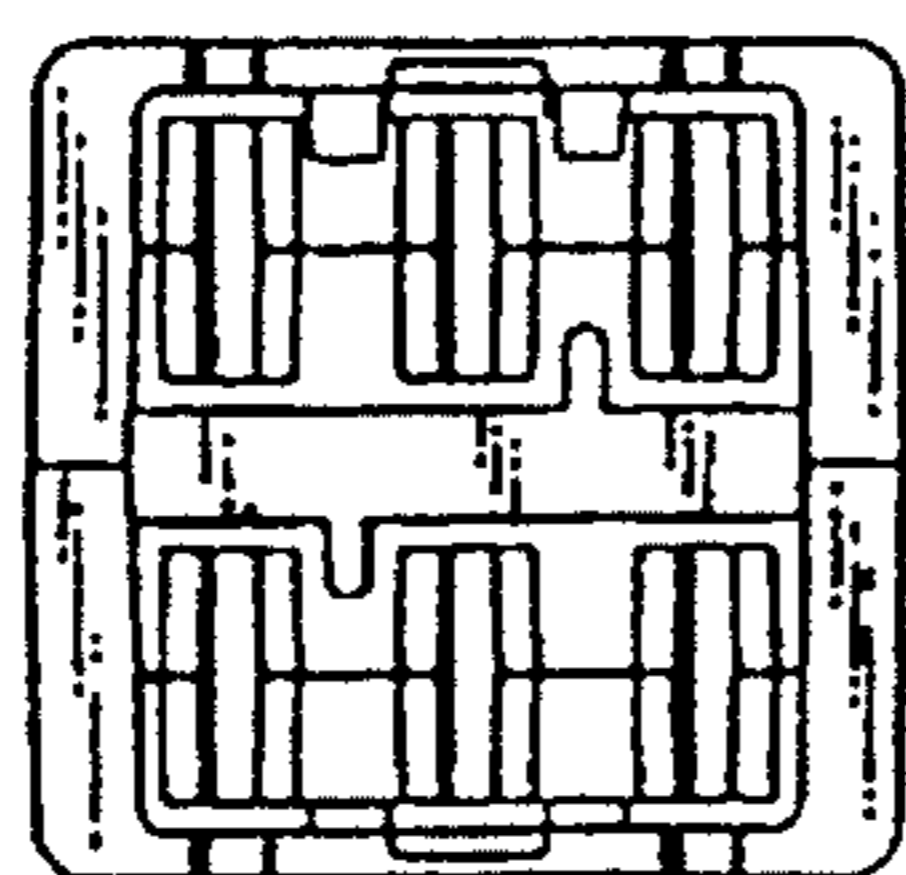


FIG. 3

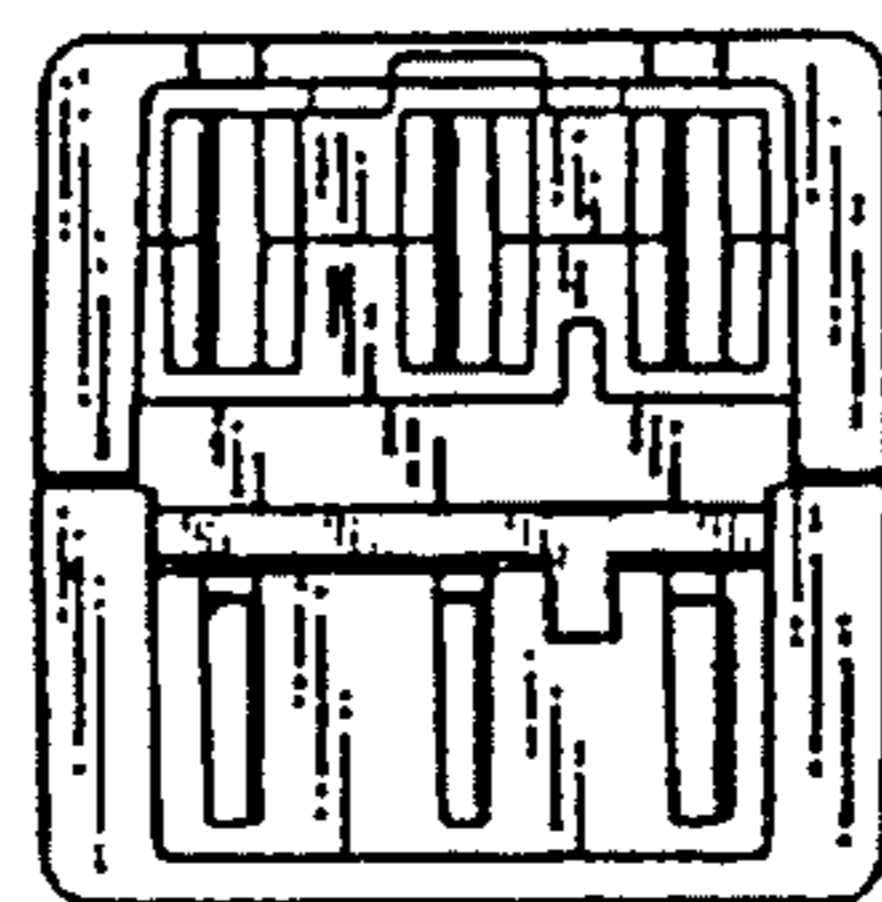


FIG. 4

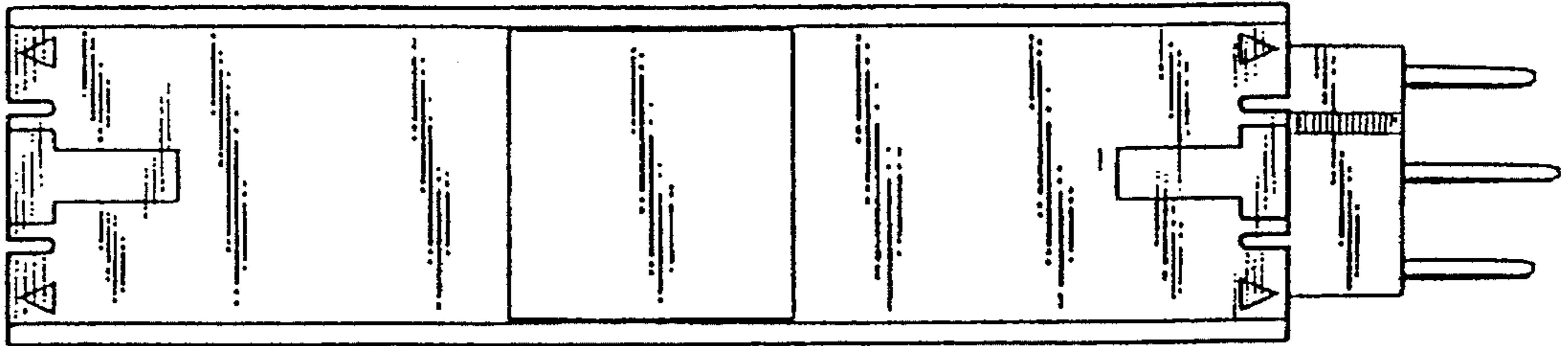


FIG. 5

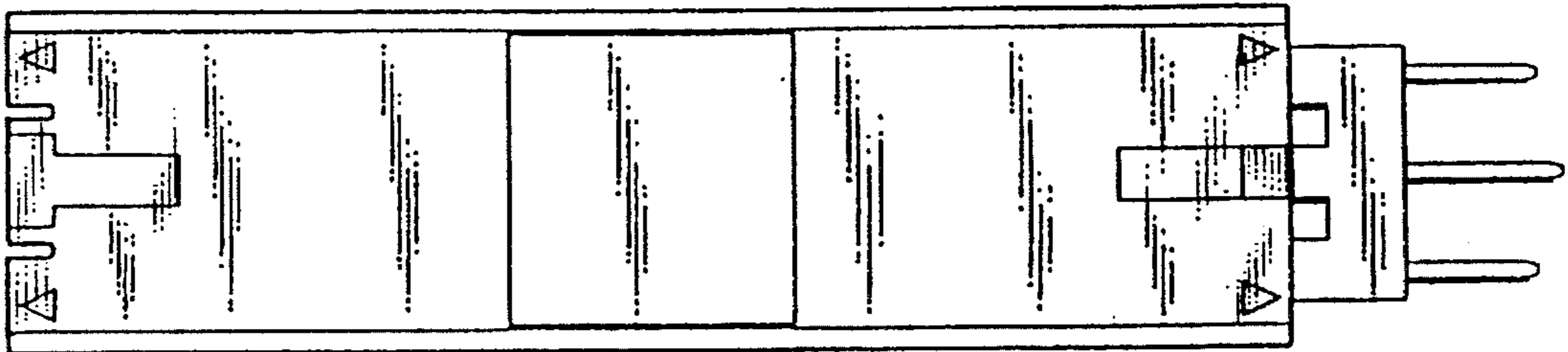


FIG. 6

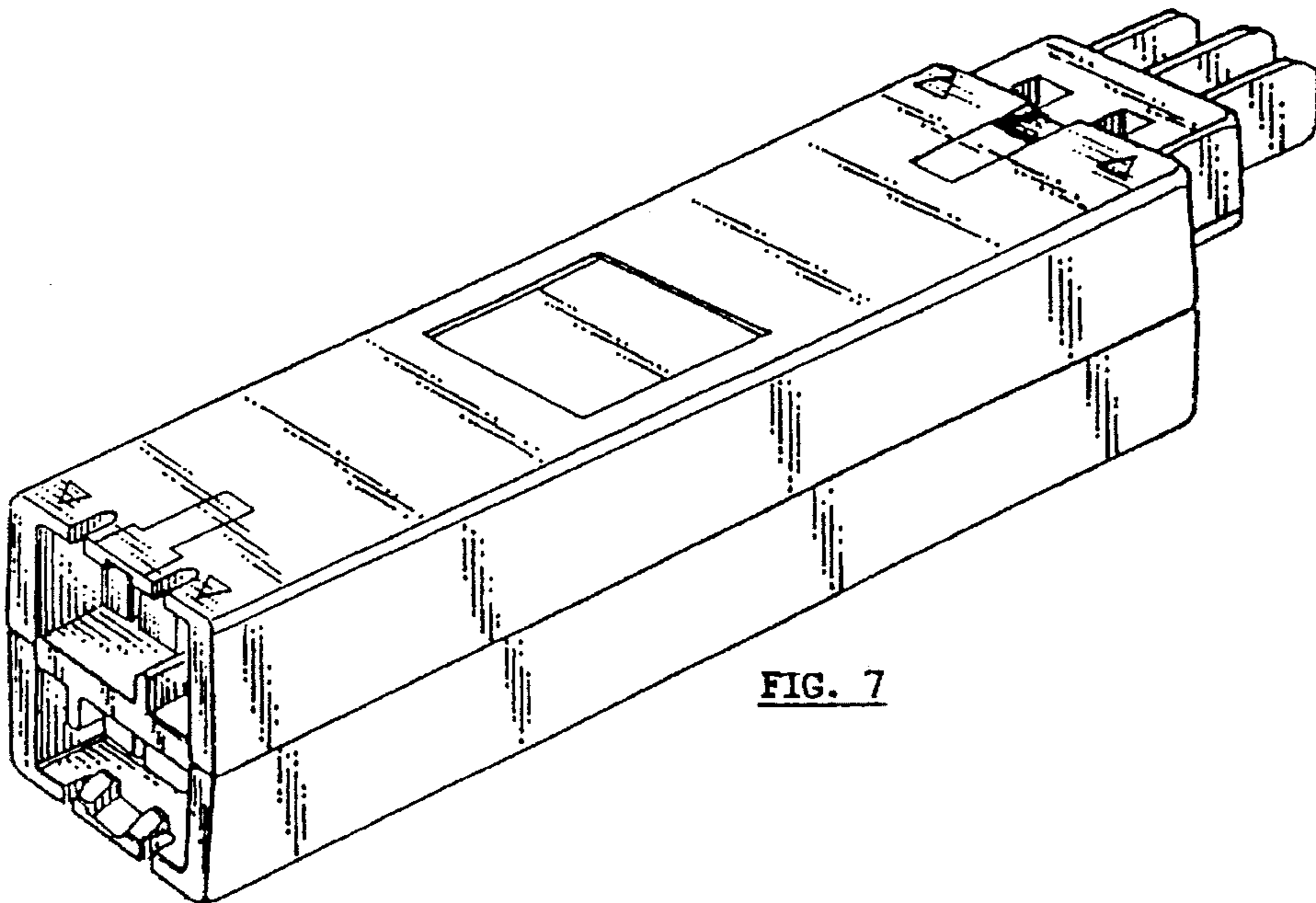


FIG. 7